



US00D898414S

(12) **United States Design Patent** (10) **Patent No.:** **US D898,414 S**
Roma et al. (45) **Date of Patent:** **** Oct. 13, 2020**

(54) **REMOVABLE MATTRESS COVER**

Primary Examiner — Jennifer L Rempfer

(71) Applicants: **John K. Roma**, Orchard Park, NY
(US); **Valerie Roma**, Orchard Park, NY
(US)

(74) *Attorney, Agent, or Firm* — Hodgson Russ LLP

(72) Inventors: **John K. Roma**, Orchard Park, NY
(US); **Valerie Roma**, Orchard Park, NY
(US)

(57) **CLAIM**

The ornamental design for a removable mattress cover, as shown and described.

(**) Term: **15 Years**

DESCRIPTION

(21) Appl. No.: **29/611,466**

(22) Filed: **Jul. 21, 2017**

Related U.S. Application Data

(62) Division of application No. 29/531,562, filed on Jun. 26, 2015, now Pat. No. Des. 794,981.

(51) **LOC (12) Cl.** **06-09**

(52) **U.S. Cl.**
USPC **D6/596**

(58) **Field of Classification Search**
USPC D6/582–583, 587–592, 595–609,
D6/617–622; D21/803–809; D24/183
CPC A47G 9/00; A47G 2009/001; A47G
2009/002; A47G 2009/003; A47G
2009/005; A47G 2009/006; A47G 9/02;
A47G 9/0207; A47G 9/0215; A47G
9/0223; A47G 9/023; A47G 9/0238;
A47G 9/0246; A47G 9/0253; A47G
9/0261; A47G 9/06; A47G 9/062; A47G
9/066; A47G 9/068;

(Continued)

(56) **References Cited**

U.S. PATENT DOCUMENTS

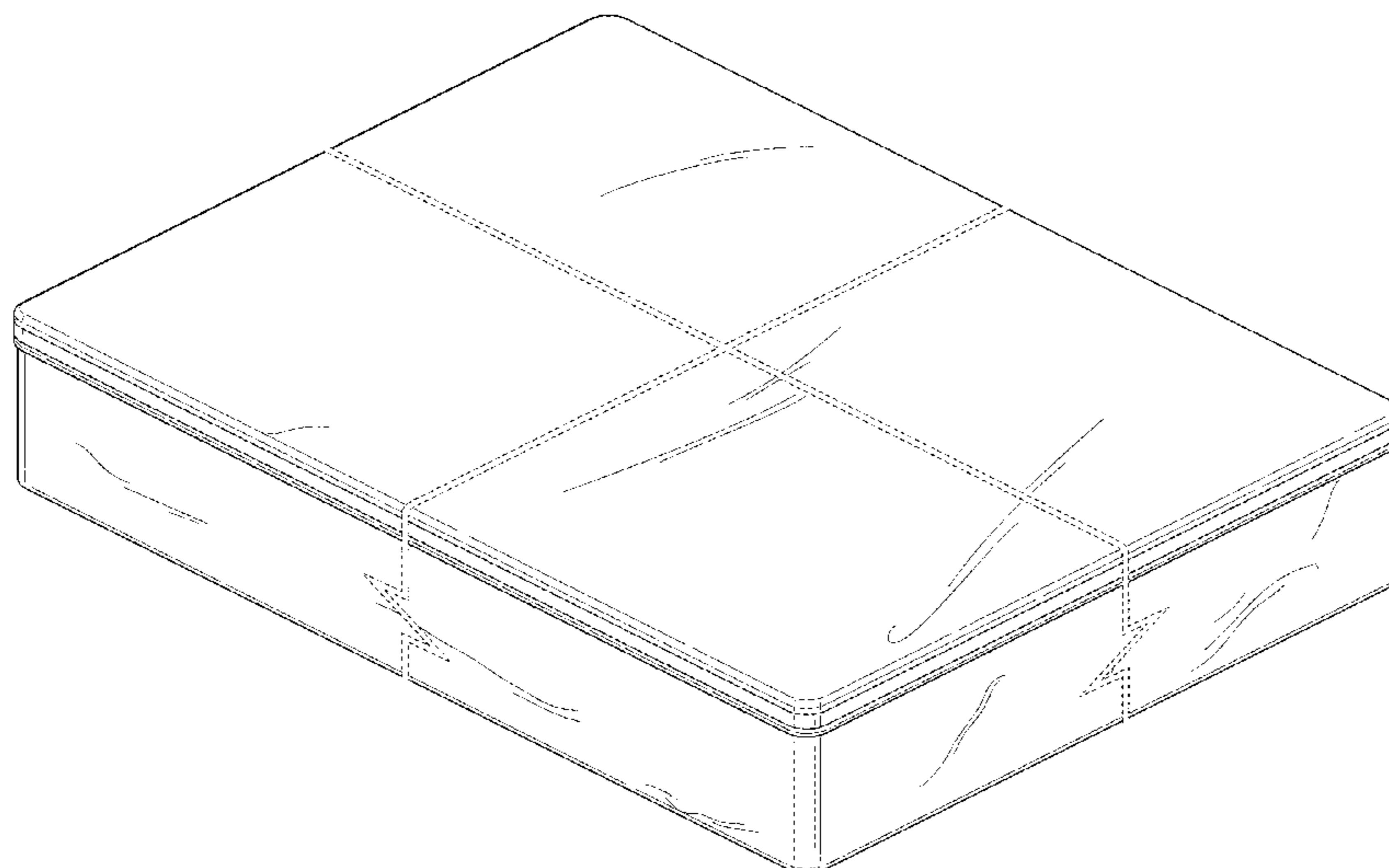
7,047,580 B2 * 5/2006 Finn A47C 27/005
5/484
7,552,489 B2 * 6/2009 Bell A47C 31/007
24/389

(Continued)

FIG. 1 is a front-left perspective view of a removable mattress cover showing my new design, the rear-right perspective view being mirror-symmetrical thereto;
FIG. 2 is a left side view thereof;
FIG. 3 is a right side view thereof;
FIG. 4 is a front view thereof;
FIG. 5 is a rear view thereof;
FIG. 6 is a bottom view thereof;
FIG. 7 is a top view thereof;
FIG. 8 is a top view thereof, with the upper portion of the removable mattress cover removed;
FIG. 9 is an exploded front-left perspective view showing the upper and lower portions of the removable mattress cover removed from exemplary internal components of a mattress, the lower portion of the cover being unzipped, the front-right perspective view being mirror symmetrical thereto;
FIG. 10 is an exploded perspective view showing the upper and lower portions of the removable mattress cover removed from one another, the lower portion of the cover being zipped closed, the front-right perspective view being mirror symmetrical thereto; and,
FIG. 11 is a detail view of a front-left corner portion of the removable mattress cover being opened, the front-right corner being symmetrical thereto.

The broken lines illustrate unclaimed features that form no part of the claimed design. The removable mattress cover is shown with a symbolic breaks in its length, width, and height. The appearance of any portion of the article between the break lines forms no part of the design.

1 Claim, 10 Drawing Sheets



(58) **Field of Classification Search**

CPC A47G 9/08; A47G 2009/0276; A47G
9/0284; A47G 9/0292; A47G 9/04; A47G
9/10; A47C 27/22; A47C 21/02

See application file for complete search history.

(56) **References Cited**

U.S. PATENT DOCUMENTS

7,930,779 B2 * 4/2011 Marrache A47C 31/105
5/496
8,117,692 B1 * 2/2012 Richards A47G 9/02
5/482
8,347,430 B2 * 1/2013 Malouf A47C 31/007
5/484
D744,766 S * 12/2015 Morrison D6/605
9,247,835 B2 * 2/2016 Blethen A47G 9/04
D794,981 S * 8/2017 Roma D6/596
10,104,984 B2 * 10/2018 Hagglund A47C 31/105
D850,153 S * 6/2019 Desodt D6/596
10,463,167 B2 * 11/2019 Rabbany A47C 31/007
2010/0251482 A1 * 10/2010 MacDonald A47G 9/02
5/494
2011/0099714 A1 * 5/2011 Svoboda A47C 31/105
5/499
2012/0117728 A1 * 5/2012 O'Neill A47C 31/007
5/499
2012/0167307 A1 * 7/2012 Michael A47C 31/105
5/501

* cited by examiner

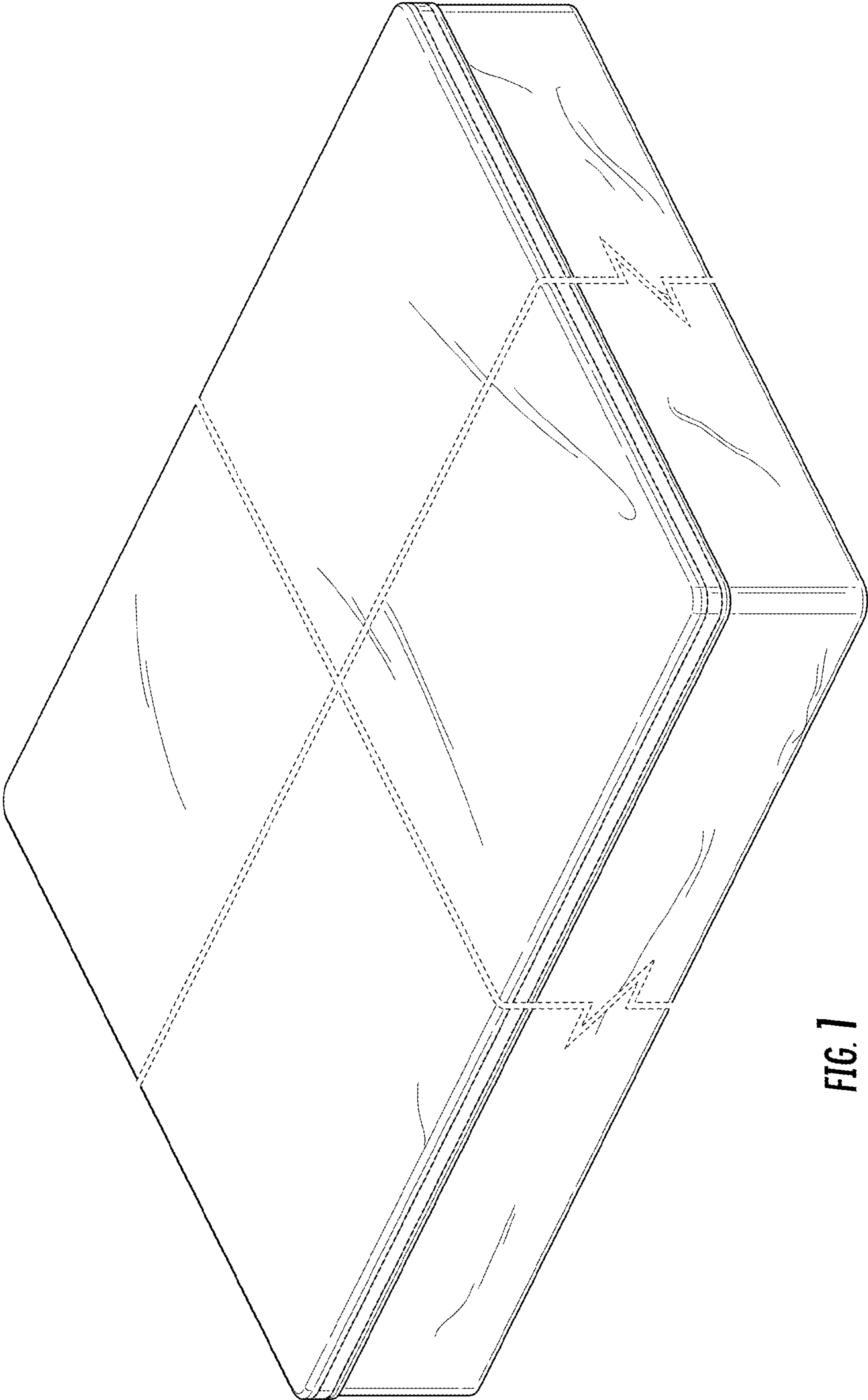


FIG. 1

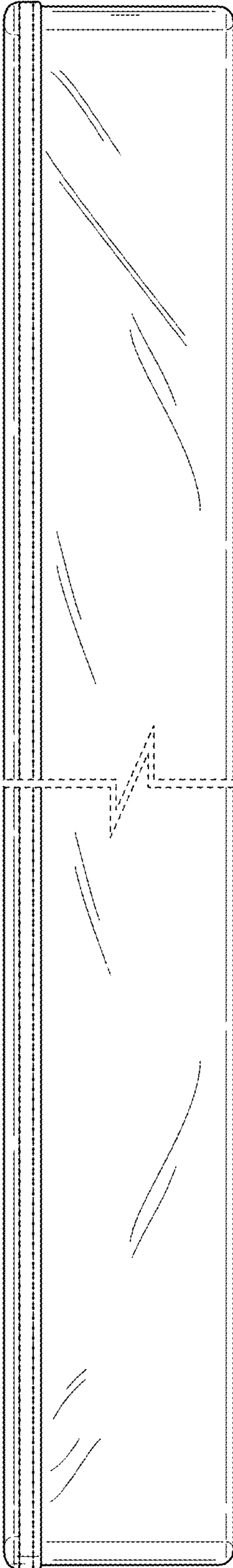


FIG. 2

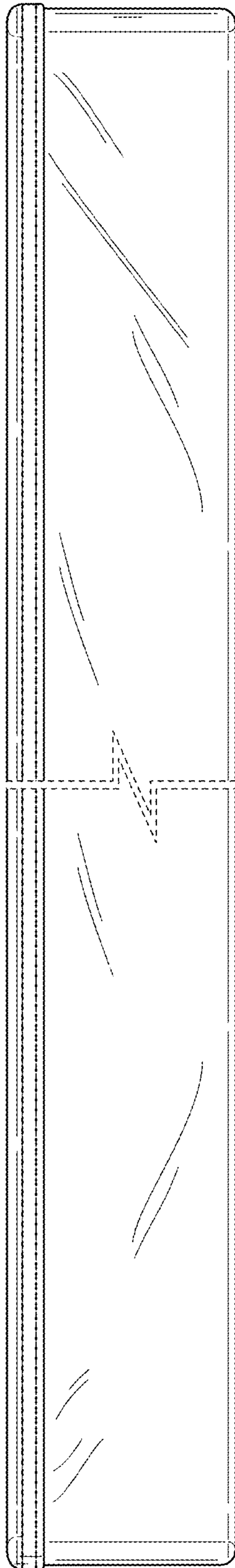


FIG. 3

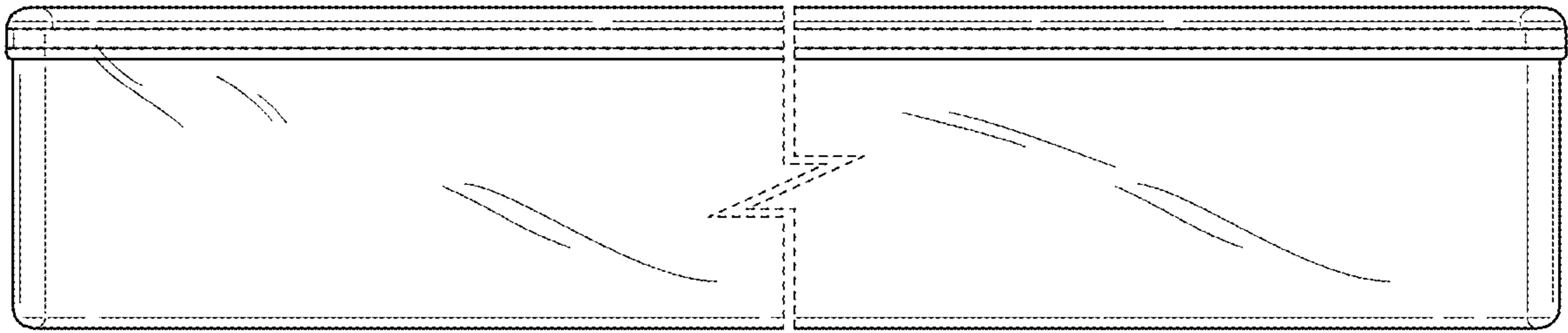


FIG. 4

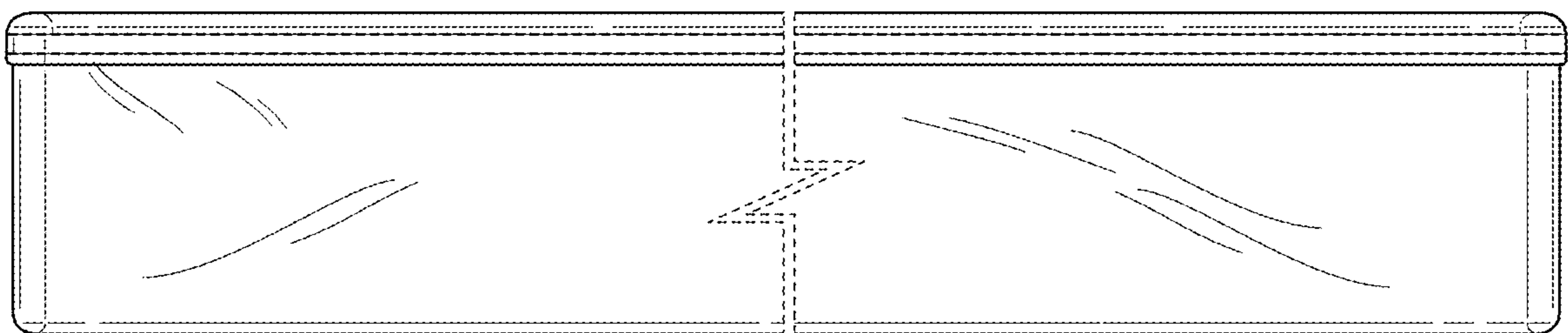


FIG. 5

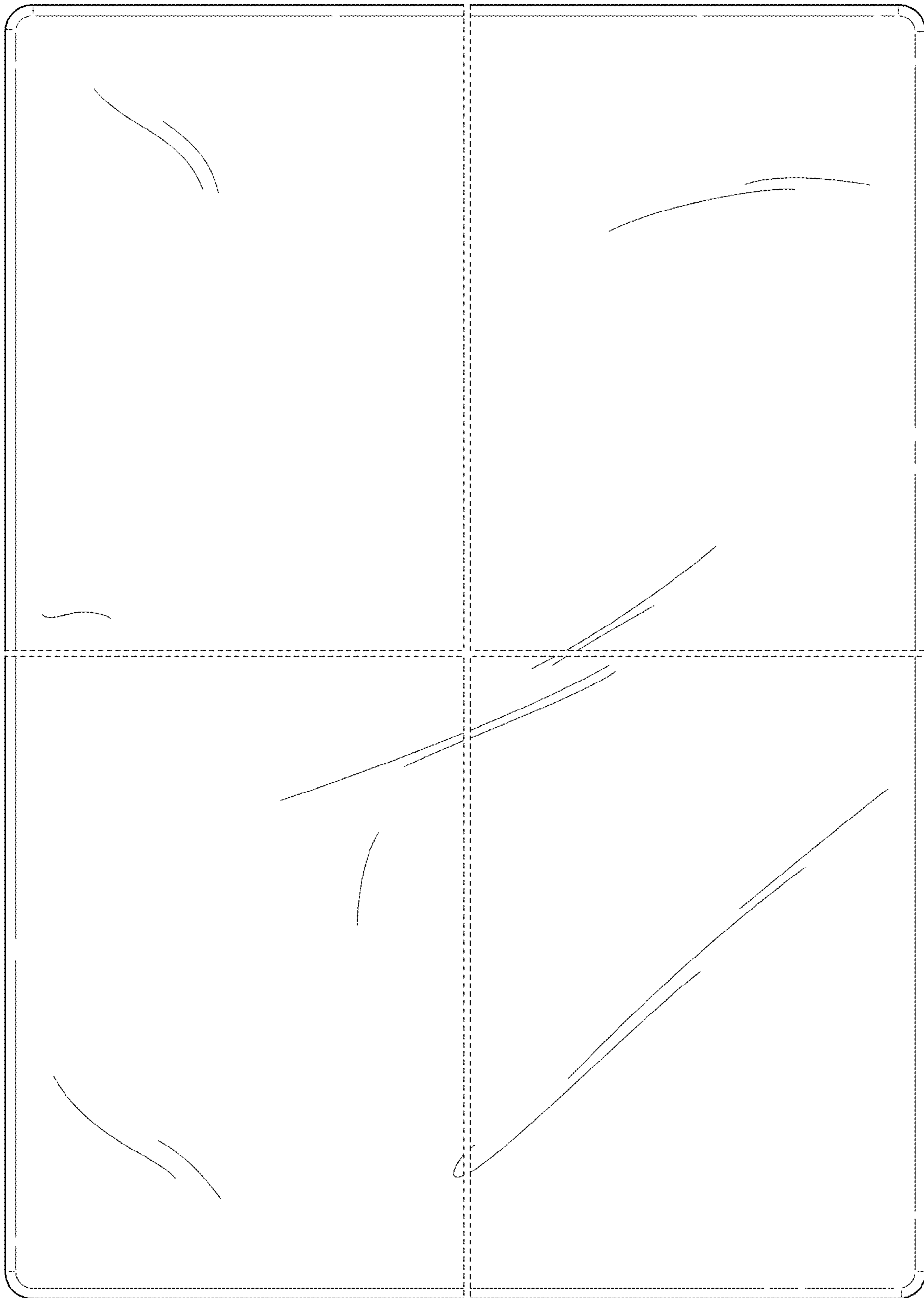


FIG. 6

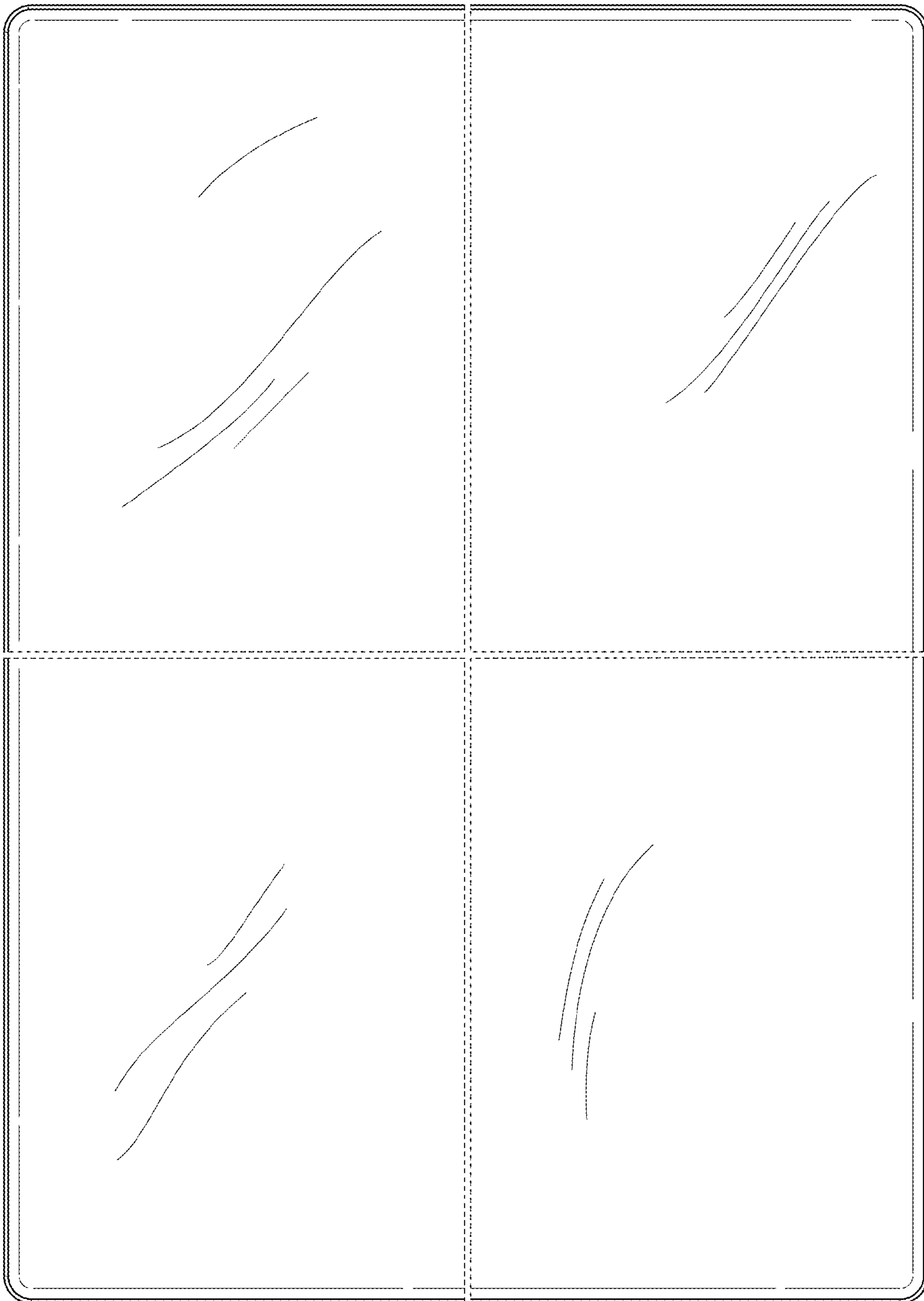


FIG. 7

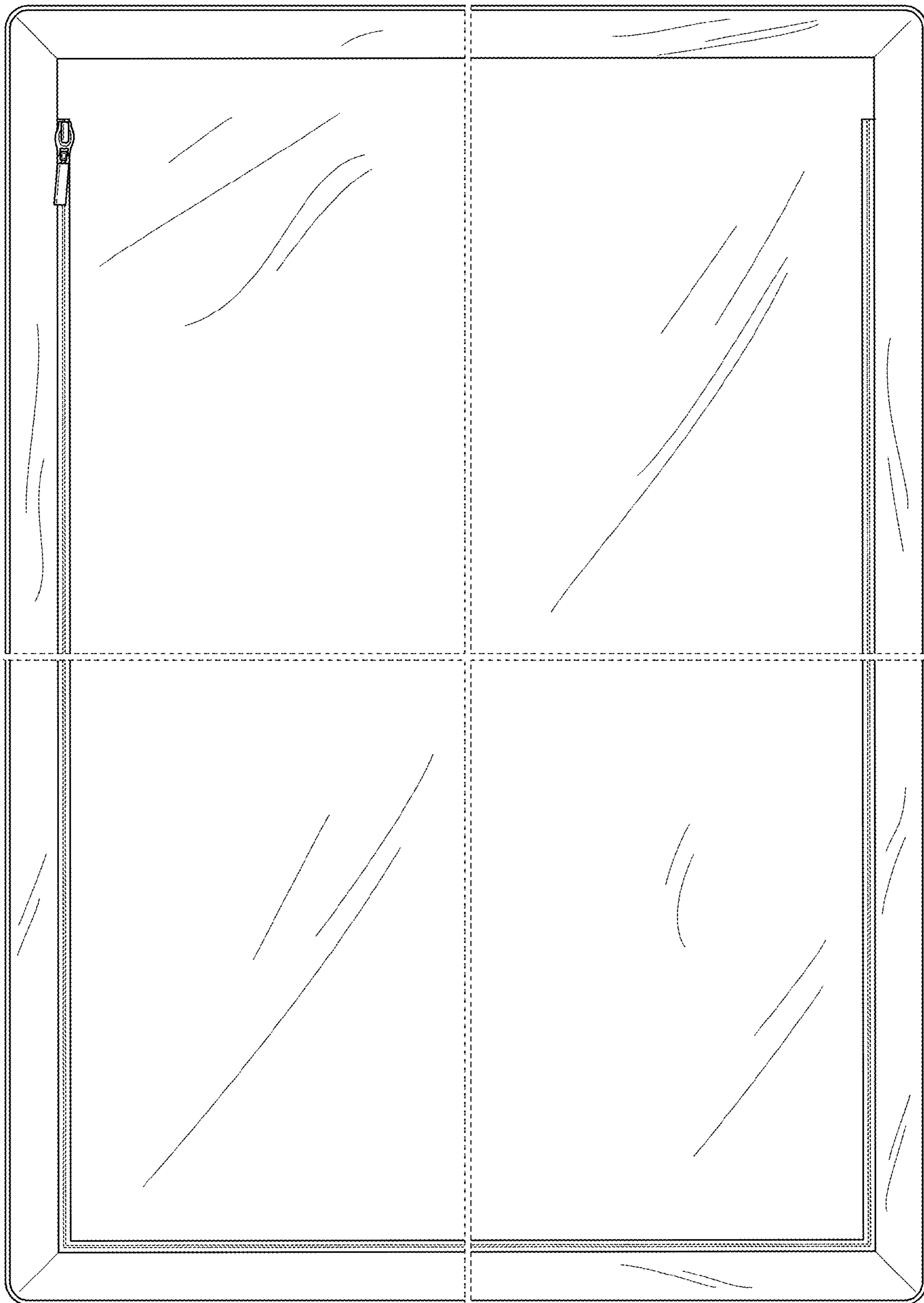


FIG. 8

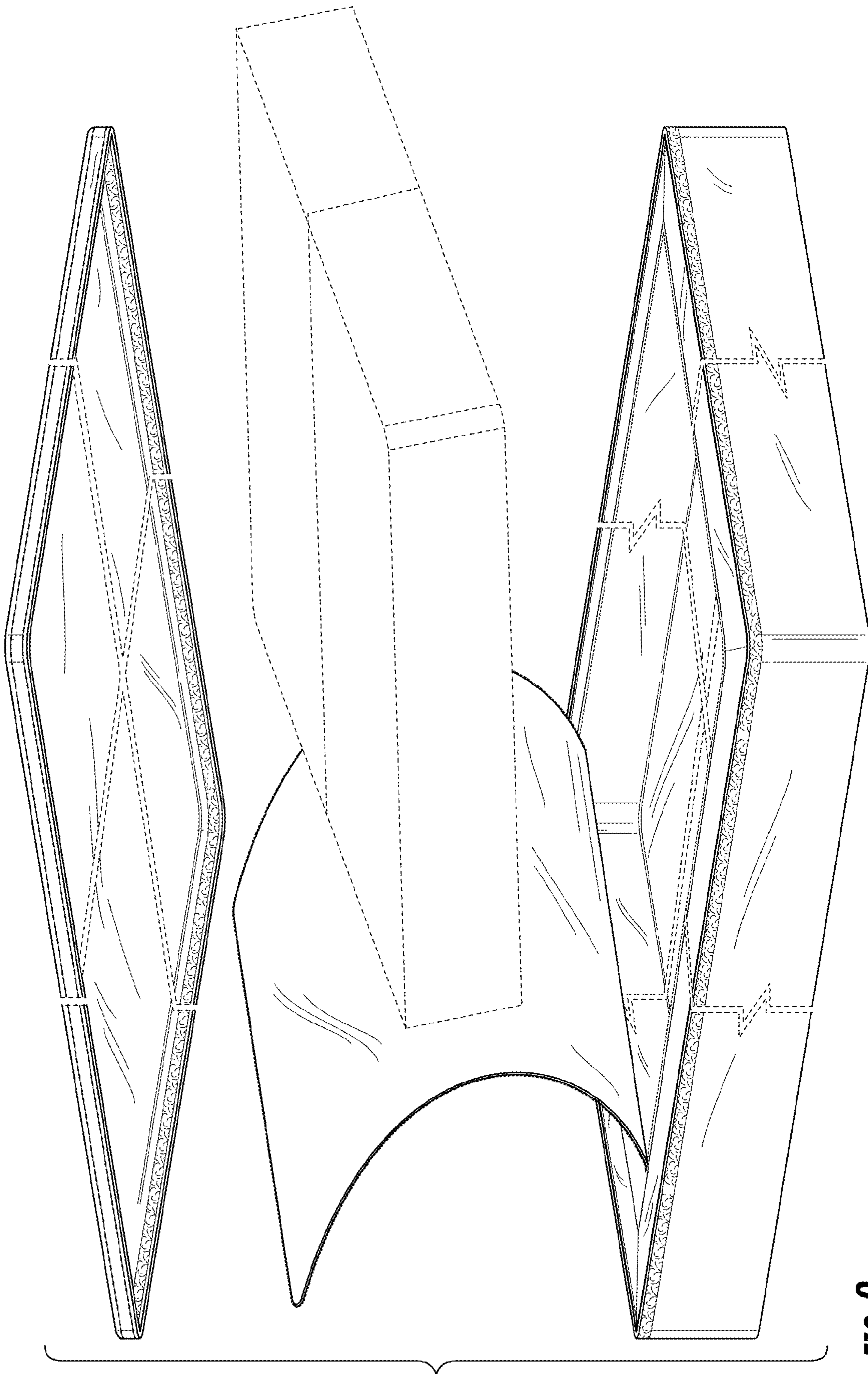


FIG. 9

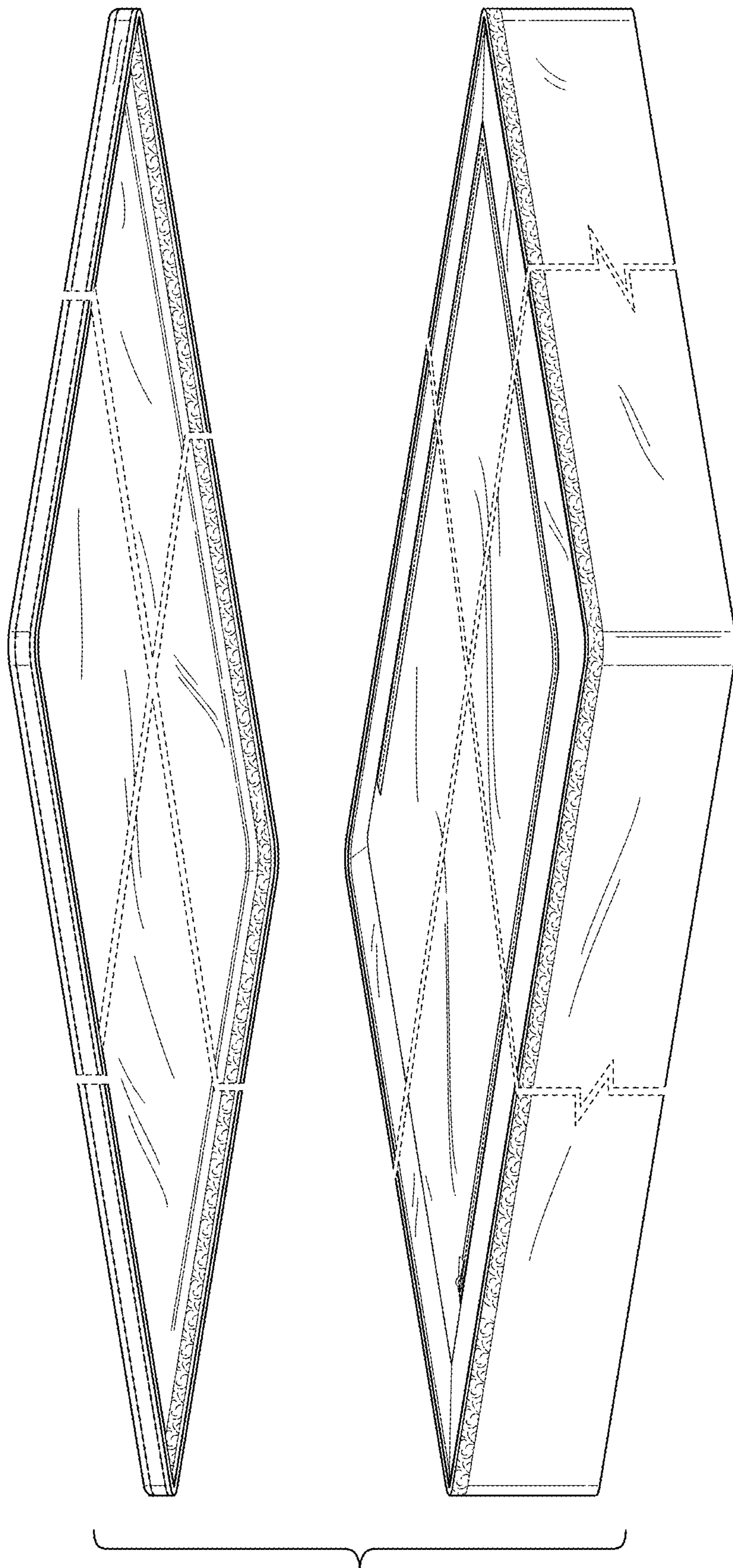


FIG. 10

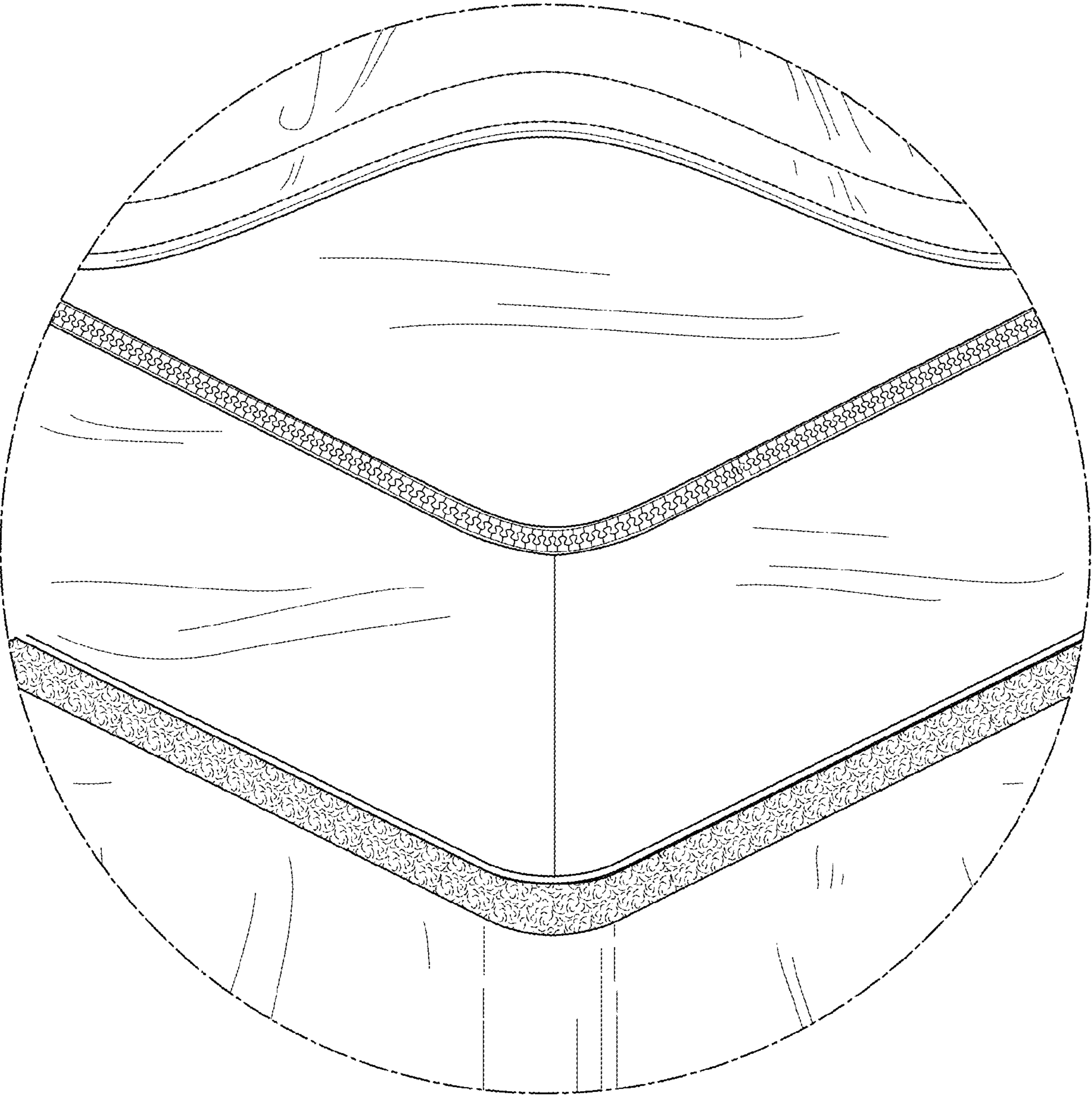


FIG. 11