



US00D898412S

(12) **United States Design Patent** (10) **Patent No.:** **US D898,412 S**
Garland et al. (45) **Date of Patent:** **** Oct. 13, 2020**

(54) **TOWEL BAR**
(71) Applicant: **DELTA FAUCET COMPANY**,
Indianapolis, IN (US)
(72) Inventors: **Celine Kwok Garland**, Zionsville, IN
(US); **Maris Park**, McCordsville, IN
(US)
(73) Assignee: **DELTA FAUCET COMPANY**,
Indianapolis, IN (US)
(**) Term: **15 Years**
(21) Appl. No.: **29/687,334**
(22) Filed: **Apr. 12, 2019**
(51) **LOC (12) Cl.** **06-04**
(52) **U.S. Cl.**
USPC **D6/549**
(58) **Field of Classification Search**
USPC D6/546-550, 512-525; 211/13.1, 16,
211/85.5, 86.01, 87.01, 88.04, 100, 105.1,
211/105.2, 106, 113, 123, 181.1,
211/182-183; 248/49, 175, 176.1, 200,
248/201, 205.1, 251, 302, 309.1, 315;
242/570, 590, 595-598; D8/300,
D8/315-321, 354, 363, 373, 380;
108/28-29
CPC A47K 10/3836; A47K 10/38
See application file for complete search history.

D477,740 S * 7/2003 Gilbert D6/549
D512,860 S * 12/2005 Ferrer Beltran D6/523
D514,856 S * 2/2006 Ferrer Beltran D6/523
D516,849 S * 3/2006 Ferrer Beltran D6/549
D540,087 S * 4/2007 Barry D6/549
D540,588 S * 4/2007 Hoernig D6/523
D540,595 S * 4/2007 Solowiej D6/549
D557,049 S * 12/2007 Sedwick D6/524
D565,337 S * 4/2008 Hoernig D6/549
D576,437 S * 9/2008 Krumpke D6/549
D599,590 S * 9/2009 Hanes D6/523
D635,382 S * 4/2011 Kim D6/524
D700,452 S * 3/2014 Sale, Jr. D6/550
D715,577 S * 10/2014 Fritz D6/549
D779,913 S * 2/2017 Zimmer D8/316
(Continued)

(56) **References Cited**
U.S. PATENT DOCUMENTS
D361,006 S * 8/1995 Sharpe D6/523
D392,139 S * 3/1998 Wu D6/549
D452,100 S * 12/2001 Gilbert D6/549
D466,346 S * 12/2002 Moore D6/549
D466,735 S * 12/2002 Moore D6/523
D466,742 S * 12/2002 Moore D6/549
D472,417 S * 4/2003 Hunt D6/549
D473,741 S * 4/2003 Gilbert D6/549

OTHER PUBLICATIONS

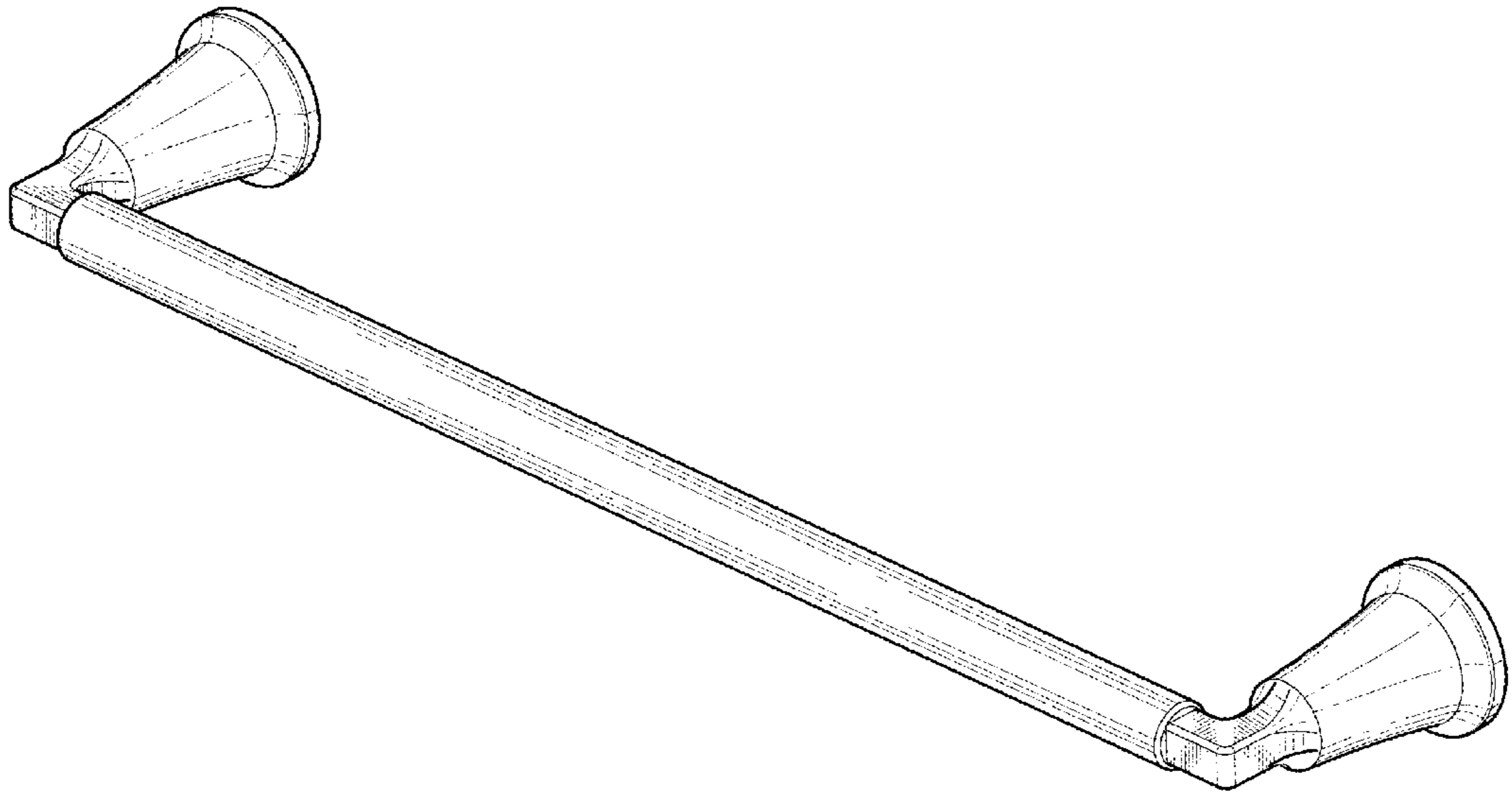
Delta Faucet website, Boery 18" Towel Bar, Jun. 2, 2020, <https://www.deltafaucet.com/bathroom/product/74818> (Year: 2020).*
Primary Examiner — Nathan M Johnston
(74) *Attorney, Agent, or Firm* — Nirav D. Parikh; Edgar A. Zarins

(57) **CLAIM**
The ornamental design for a towel bar, as shown and described.

DESCRIPTION

FIG. 1 is a front perspective view of a towel bar showing our new design;
FIG. 2 is a left end view thereof, the opposite side being a mirror image of the side shown;
FIG. 3 is a rear view thereof;
FIG. 4 is a top plan view thereof, the opposite side being a mirror image of the side shown; and,
FIG. 5 is a front elevational view thereof.
The broken lines show portions of the design that form no part of the claimed design.

1 Claim, 2 Drawing Sheets



(56)

References Cited

U.S. PATENT DOCUMENTS

D846,301 S * 4/2019 Garland D6/549
D854,350 S * 7/2019 Bahler D6/549
2002/0088764 A1* 7/2002 Pan A47K 10/10
211/105.1

* cited by examiner

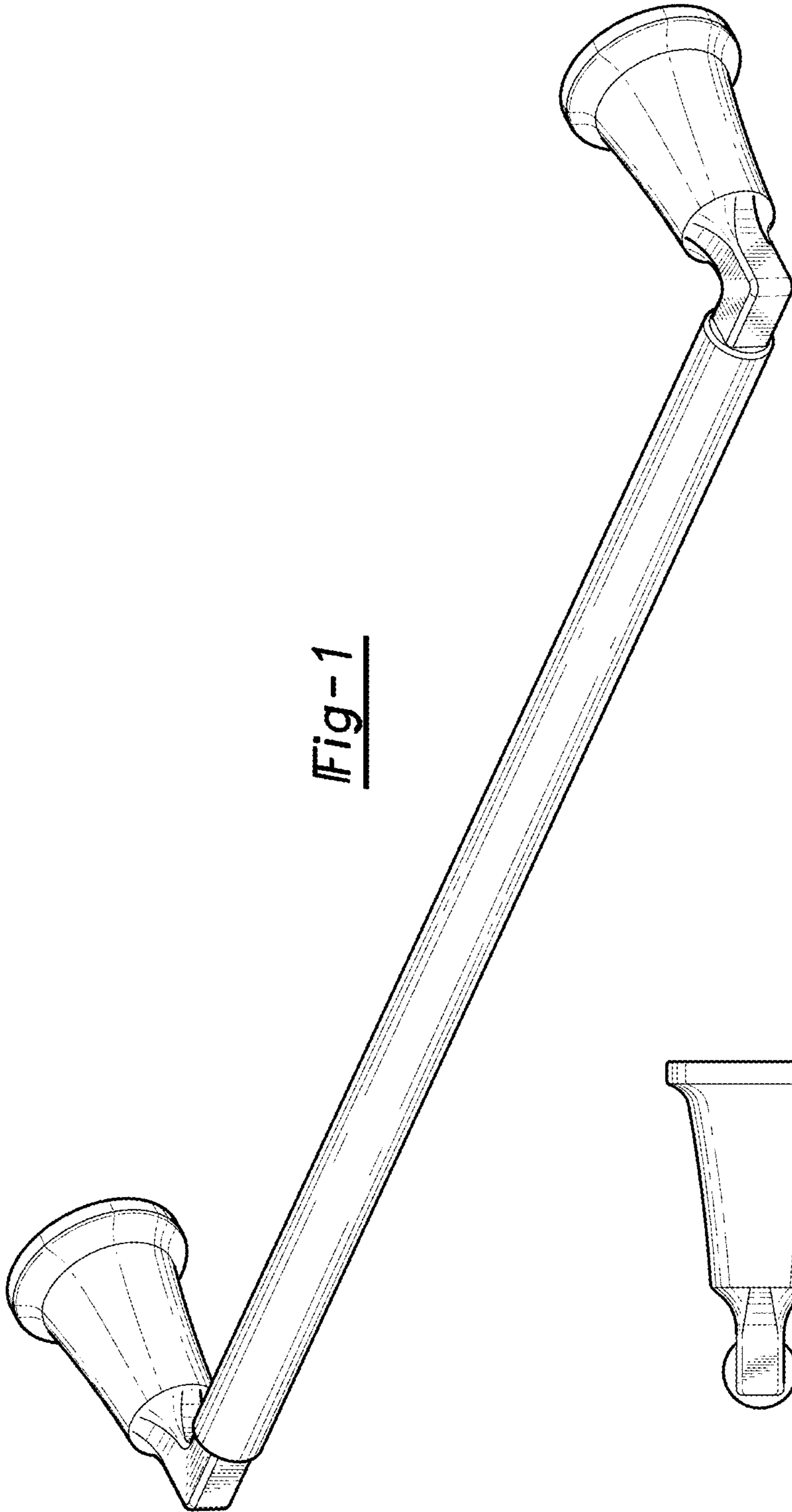


Fig-1

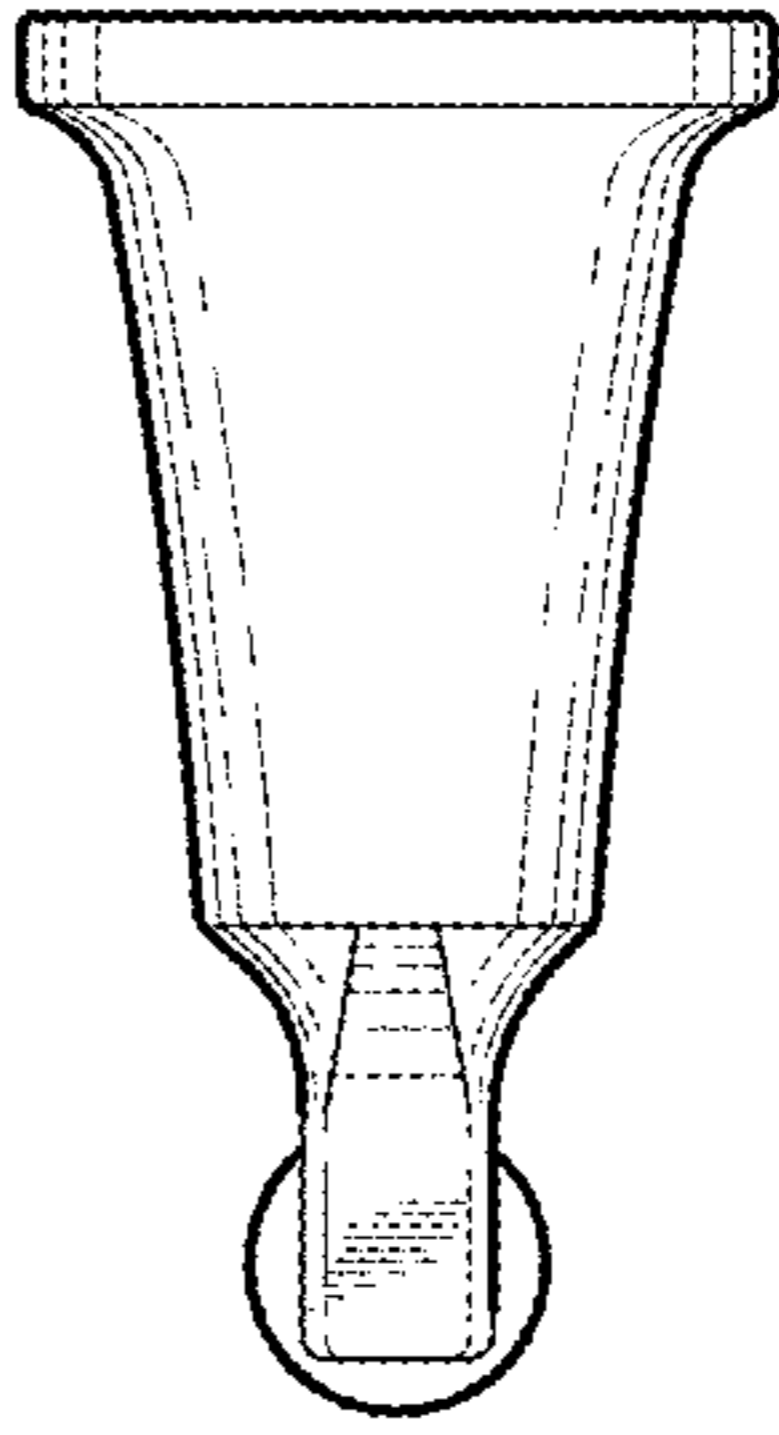


Fig-2

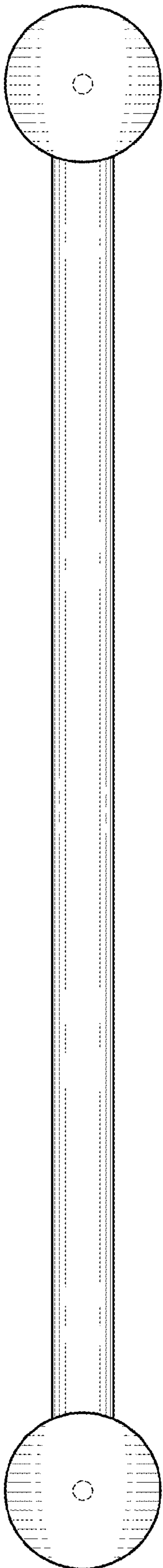


Fig-3

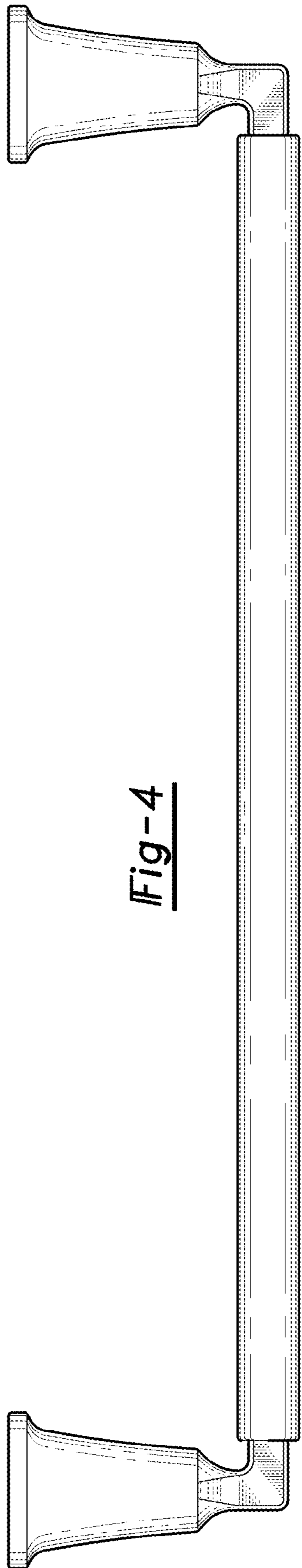


Fig-4

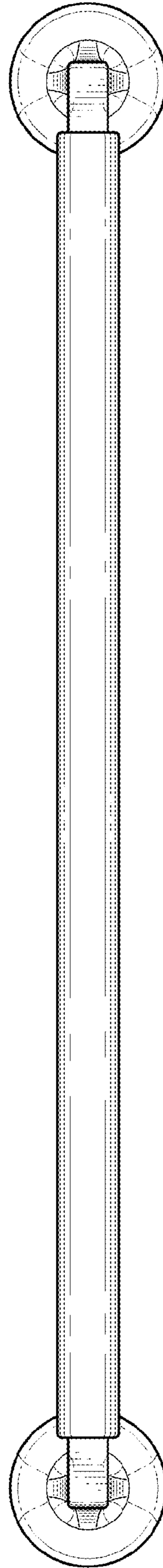


Fig-5