

US00D898407S

(12) **United States Design Patent** (10) **Patent No.:** **US D898,407 S**
Ghiorghie (45) **Date of Patent:** **** Oct. 13, 2020**

(54) **HOLDER**
(71) Applicant: **InterDesign, Inc.**, Solon, OH (US)
(72) Inventor: **Radu Alexandru Ghiorghie**, Copley, OH (US)
(73) Assignee: **InterDesign, Inc.**, Solon, OH (US)
(**) Term: **15 Years**
(21) Appl. No.: **29/733,290**
(22) Filed: **Apr. 30, 2020**

D525,812 S * 8/2006 Goodman D6/520
D540,083 S * 4/2007 Snell D6/523
D542,581 S * 5/2007 Goodman D6/520
D546,014 S * 7/2007 Pappas D34/1
D563,709 S * 3/2008 Snell D6/566
D573,822 S * 7/2008 Yang D6/523
D618,021 S * 6/2010 Guindi D6/520
D619,839 S * 7/2010 Guindi D6/520
D636,639 S * 4/2011 Chen D7/600.1
D637,042 S * 5/2011 Chen D7/600.1
D646,961 S * 10/2011 Hampton D8/373
D647,744 S * 11/2011 Guindi D6/520
D647,745 S * 11/2011 Guindi D6/520
D651,435 S * 1/2012 Dieudonne D6/515

(Continued)

Related U.S. Application Data

(60) Division of application No. 29/705,659, filed on Sep. 13, 2019, which is a continuation of application No. 29/648,998, filed on May 25, 2018, now Pat. No. Des. 862,922.
(51) **LOC (12) Cl.** **20-02**
(52) **U.S. Cl.**
USPC **D6/520**
(58) **Field of Classification Search**
USPC D6/515-523, 566, 552; D3/201, 304, D3/305, 306; 206/391; 211/13.1, 86.01, 211/87.01, 71.01, 181.1; 242/580, 590; 248/309.1; D34/1; D11/148; 220/489
CPC A47K 10/40; A47K 10/3836; A47K 10/22; A47K 10/38; A47K 2010/389; A47K 2010/3233; A47K 2010/3872
See application file for complete search history.

(56) **References Cited**

U.S. PATENT DOCUMENTS

D180,037 S * 4/1957 Singlser D3/316
D342,844 S * 1/1994 Rittenberg D6/566
D361,449 S * 8/1995 Rittenberg D6/566
D476,455 S * 6/2003 Skalka D34/1
D476,835 S * 7/2003 Lai D6/523

OTHER PUBLICATIONS

Ideign website, Toilet paper roll stand plus—chrome, Aug. 18, 2020, <https://www.ideignlivesimply.com/product/toilet-paper-roll-stand-power-lockus-chrome/> (Year: 2020).*

Primary Examiner — Nathan M Johnston

(74) *Attorney, Agent, or Firm* — Calfee Halter & Griswold LP

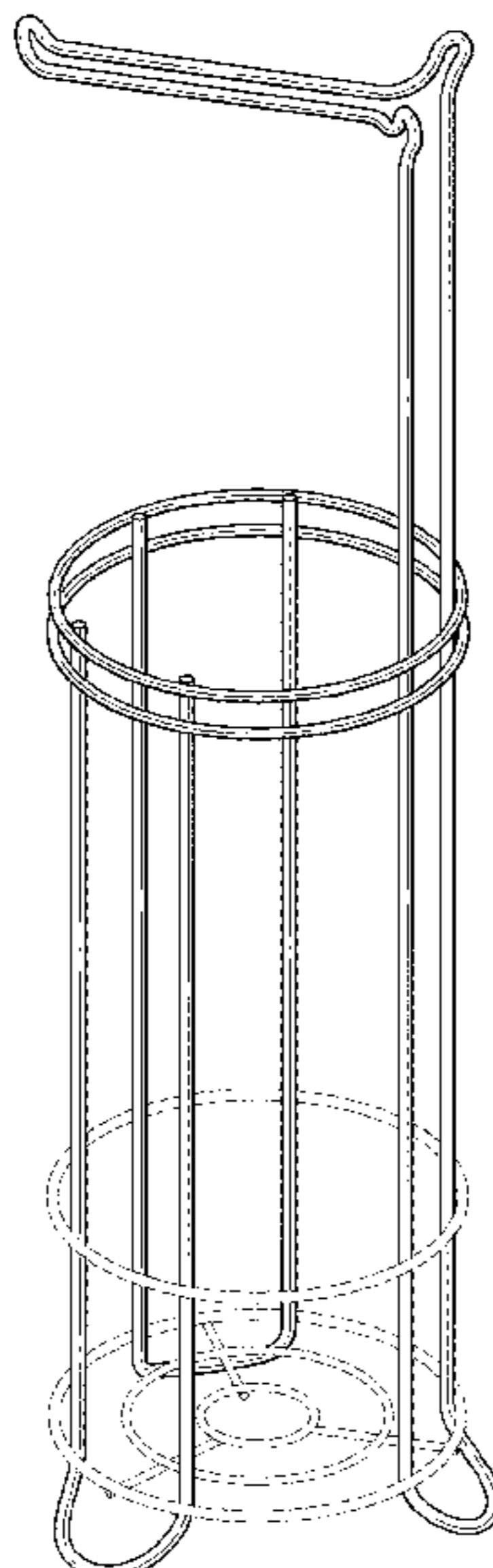
(57) **CLAIM**

I claim the ornamental design for a holder, as shown and described.

DESCRIPTION

FIG. 1 is a rear/right/top perspective view of a holder; FIG. 2 is a rear/left/bottom perspective view thereof; FIG. 3 is a front/left elevational view thereof; FIG. 4 is a front/right elevational view thereof; FIG. 5 is a rear/left elevational view thereof; FIG. 6 is a rear/right elevational view thereof; FIG. 7 is a top plan view thereof; and, FIG. 8 is a bottom plan view thereof. The broken lines show portions of the design that form no part of the claimed design.

1 Claim, 5 Drawing Sheets



(56)

References Cited

U.S. PATENT DOCUMENTS

D691,389 S * 10/2013 Snider D6/519
D696,040 S * 12/2013 Tsai D6/515
8,870,023 B2 * 10/2014 Tsai A47F 1/082
221/193
D754,411 S * 4/2016 Paz D34/1
D775,850 S * 1/2017 Tsai D6/523
D867,011 S * 11/2019 Snell D6/520
2012/0234963 A1 * 9/2012 Channel A47K 10/38
242/560.2

* cited by examiner

FIG. 1

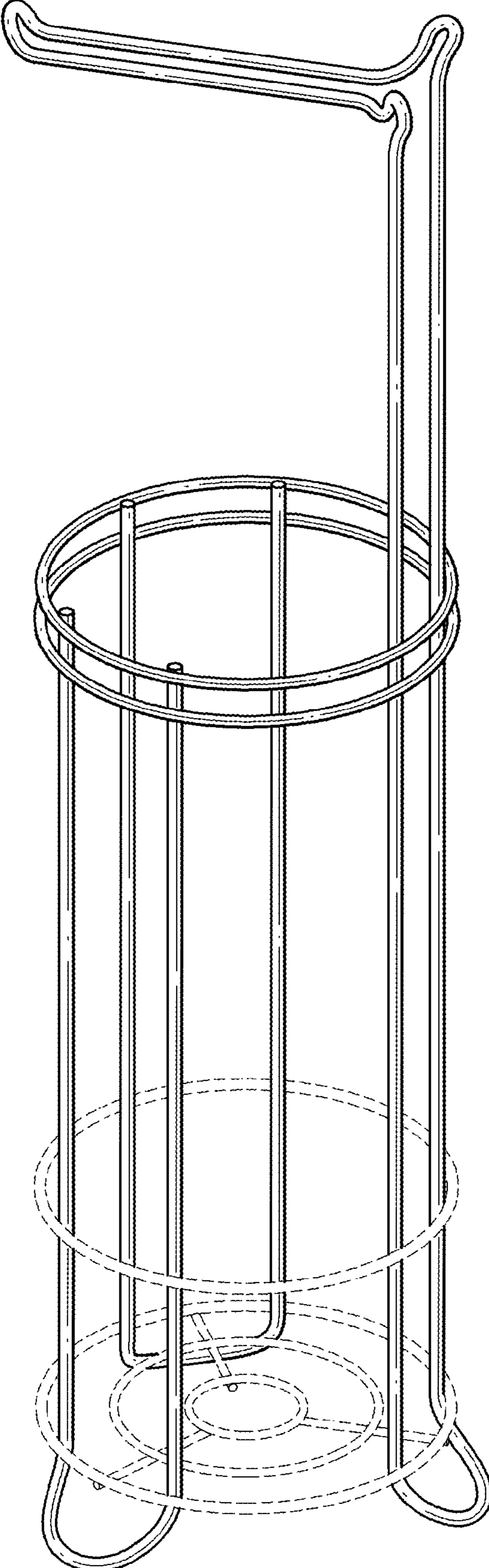


FIG. 2

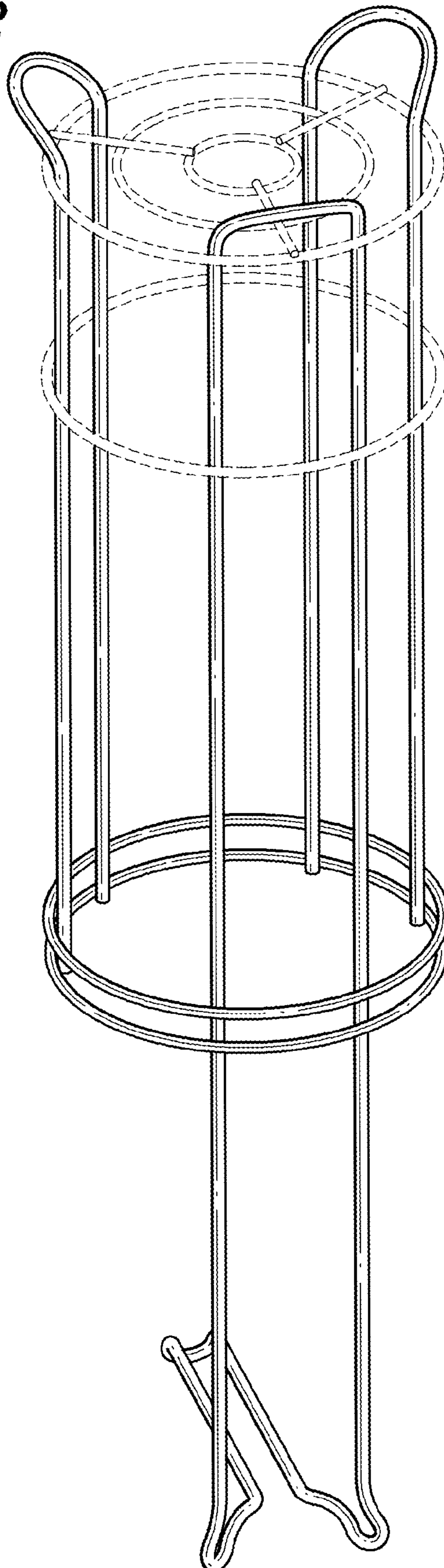


FIG. 3

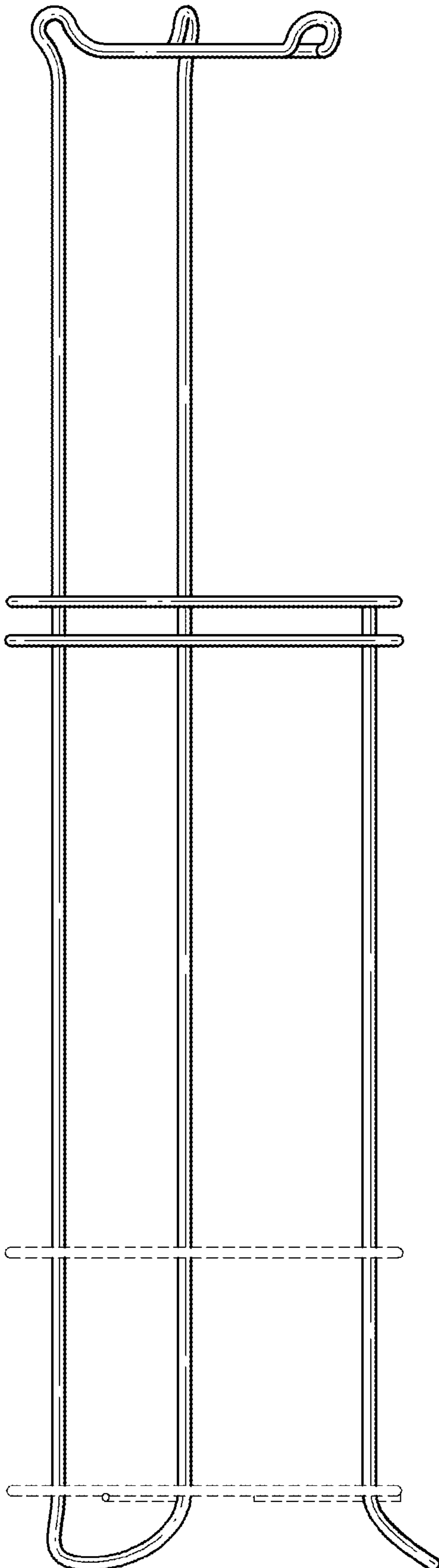


FIG. 4

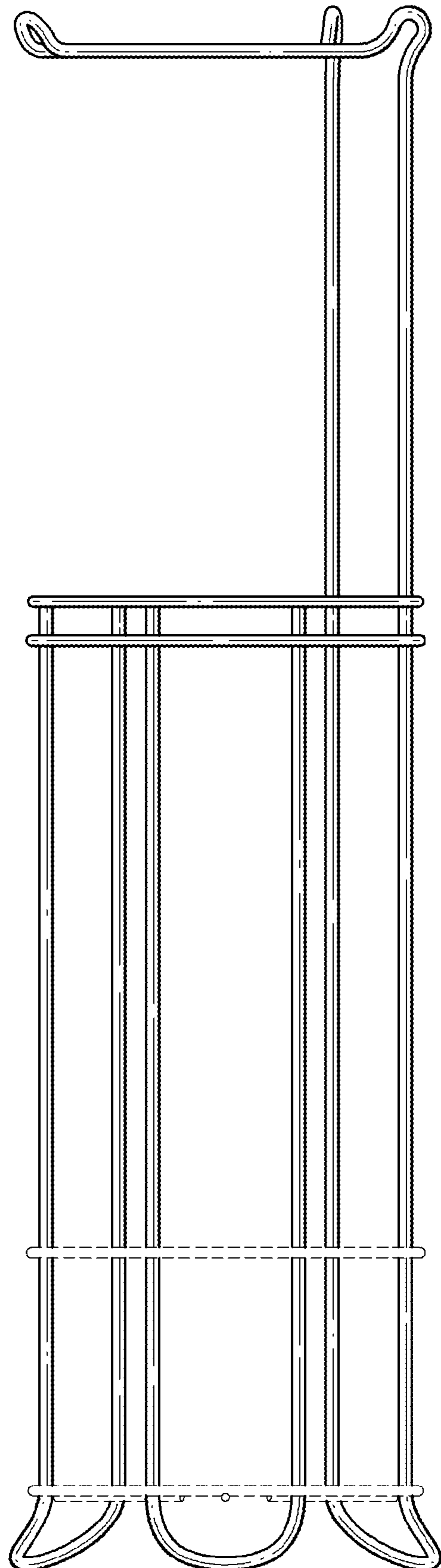


FIG. 5

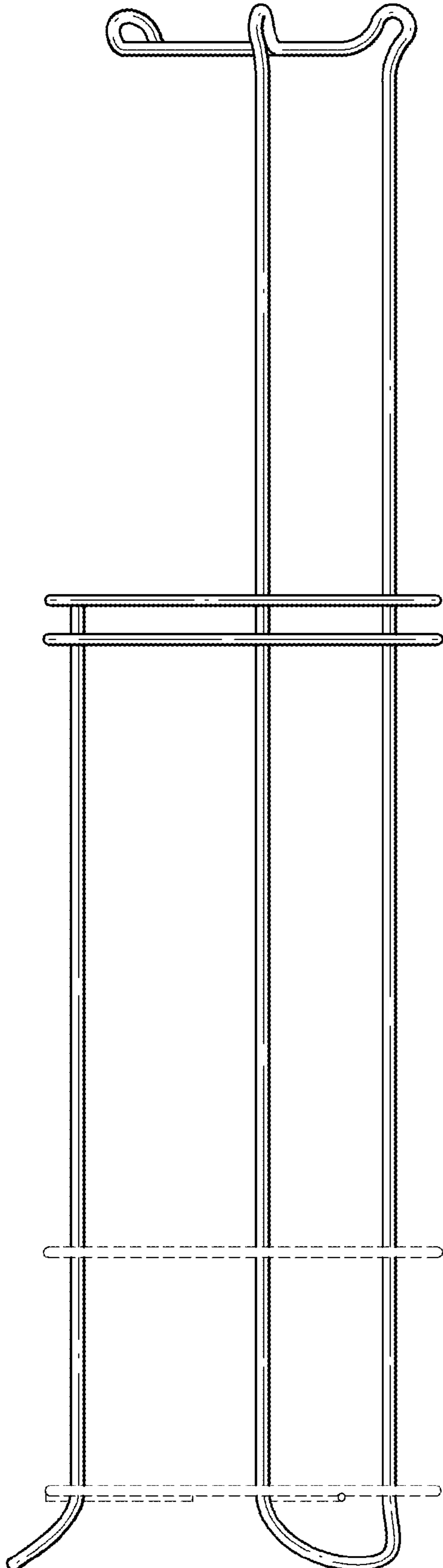


FIG. 6

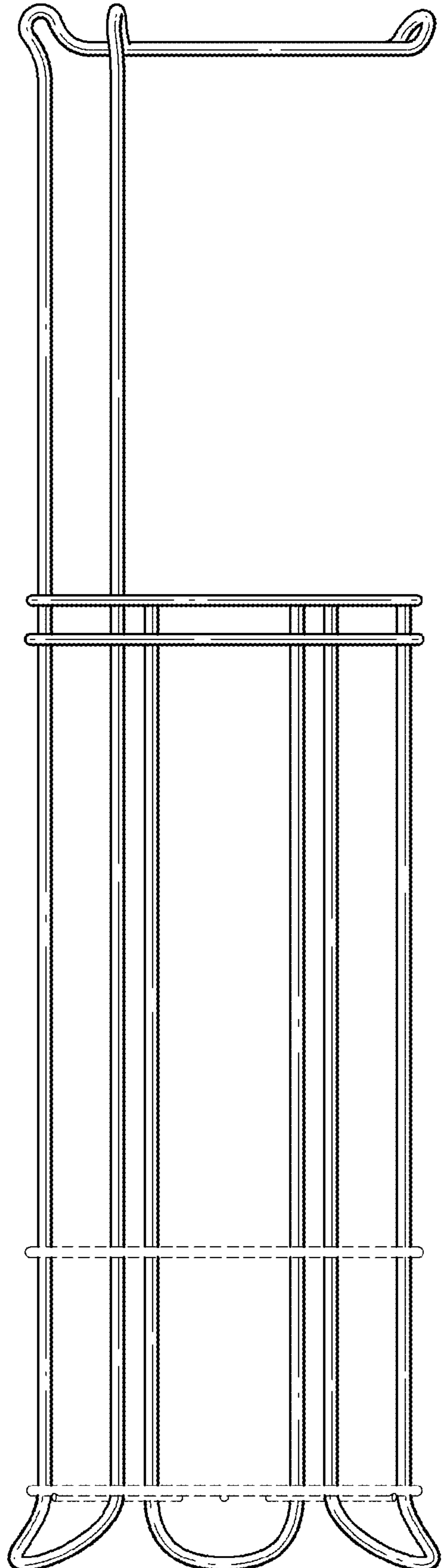


FIG. 7

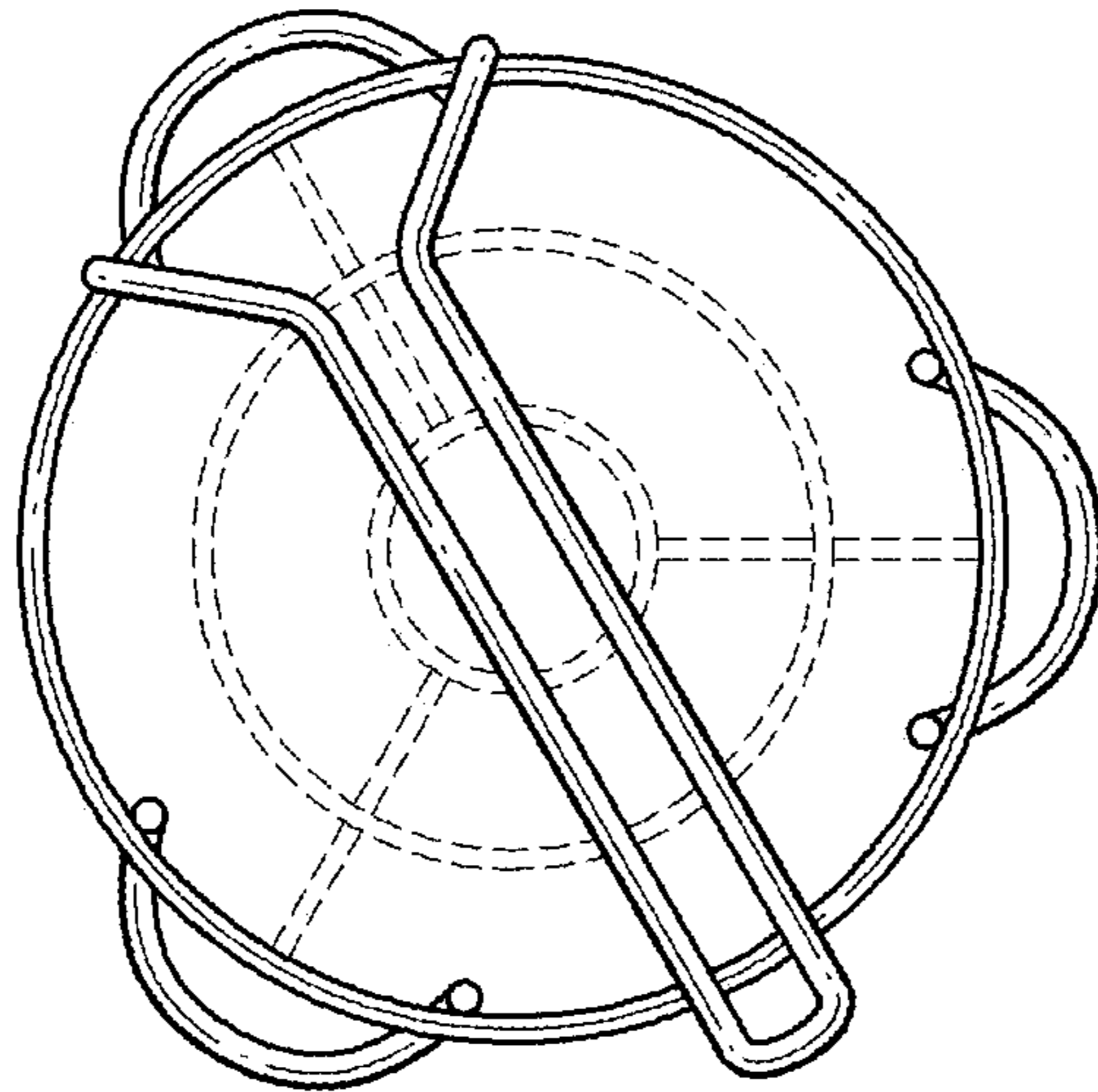


FIG. 8

