



US00D898406S

(12) **United States Design Patent**  
**Lawson et al.**

(10) **Patent No.:** **US D898,406 S**

(45) **Date of Patent:** **\*\* Oct. 13, 2020**

- (54) **TRIPLE PLANT STAND**
- (71) Applicant: **Peak Innovations Inc.**, Richmond (CA)
- (72) Inventors: **Craig Lawson**, Burnaby (CA); **Adam Mantei**, Burnaby (CA)
- (73) Assignee: **Peak Innovations Inc.**, Richmond (CA)
- (\*\*) Term: **15 Years**
- (21) Appl. No.: **29/682,978**
- (22) Filed: **Mar. 8, 2019**
- (30) **Foreign Application Priority Data**  
  - Jan. 9, 2019 (CA) ..... 185592
- (51) **LOC (12) Cl.** ..... **11-02**
- (52) **U.S. Cl.**  
  - USPC ..... **D6/405**
- (58) **Field of Classification Search**  
  - USPC ..... D11/143–156, 164; D3/304, 313, 314; D6/403, 404, 405, 556, 557, 558; D7/316, 598; D9/428, 432, 456; D99/5, D99/19
  - CPC . A01G 5/04; A01G 9/02; A01G 9/021; A01G 9/022; A01G 9/026; A01G 9/027; A01G 9/029; A01G 9/033; A47G 7/00; A47G 7/02; A47G 7/04; A47G 7/041; A47G 7/044; A47G 7/047; A47G 7/06; A47G 7/063; A47G 7/08

See application file for complete search history.

- 681,936 A \* 9/1901 Soady ..... A47J 29/06 99/440
- 699,154 A \* 5/1902 DeForce ..... A01G 9/022 47/39
- D45,762 S \* 5/1914 Moberg ..... D6/681.3
- D78,584 S \* 5/1929 Niemczyk et al. .... D6/677.3
- 2,143,338 A \* 1/1939 Watkins ..... A47G 7/041 108/92
- 2,435,132 A \* 1/1948 Horaene ..... A47F 5/10 108/101
- 2,591,362 A \* 4/1952 Koch ..... A47G 7/041 211/74
- D167,555 S \* 8/1952 Bisharat ..... D6/405
- D181,826 S \* 12/1957 White ..... D6/675.3
- D227,627 S \* 7/1973 Stephenson ..... D7/610
- D228,589 S \* 10/1973 Moretini ..... D6/677.3
- 3,782,296 A \* 1/1974 Moretini ..... A47B 87/0253 108/101
- D238,319 S \* 1/1976 Stephenson ..... D6/681.3
- D250,372 S \* 11/1978 Szabo ..... D6/681.3
- D253,980 S \* 1/1980 Schriever ..... D6/677.3
- D254,174 S \* 2/1980 Horback ..... D6/405
- D284,336 S \* 6/1986 Berry, Jr. .... D6/687

(Continued)

*Primary Examiner* — Elizabeth A. Albert  
(74) *Attorney, Agent, or Firm* — Smiths IP; Lawrence Chan

(57) **CLAIM**

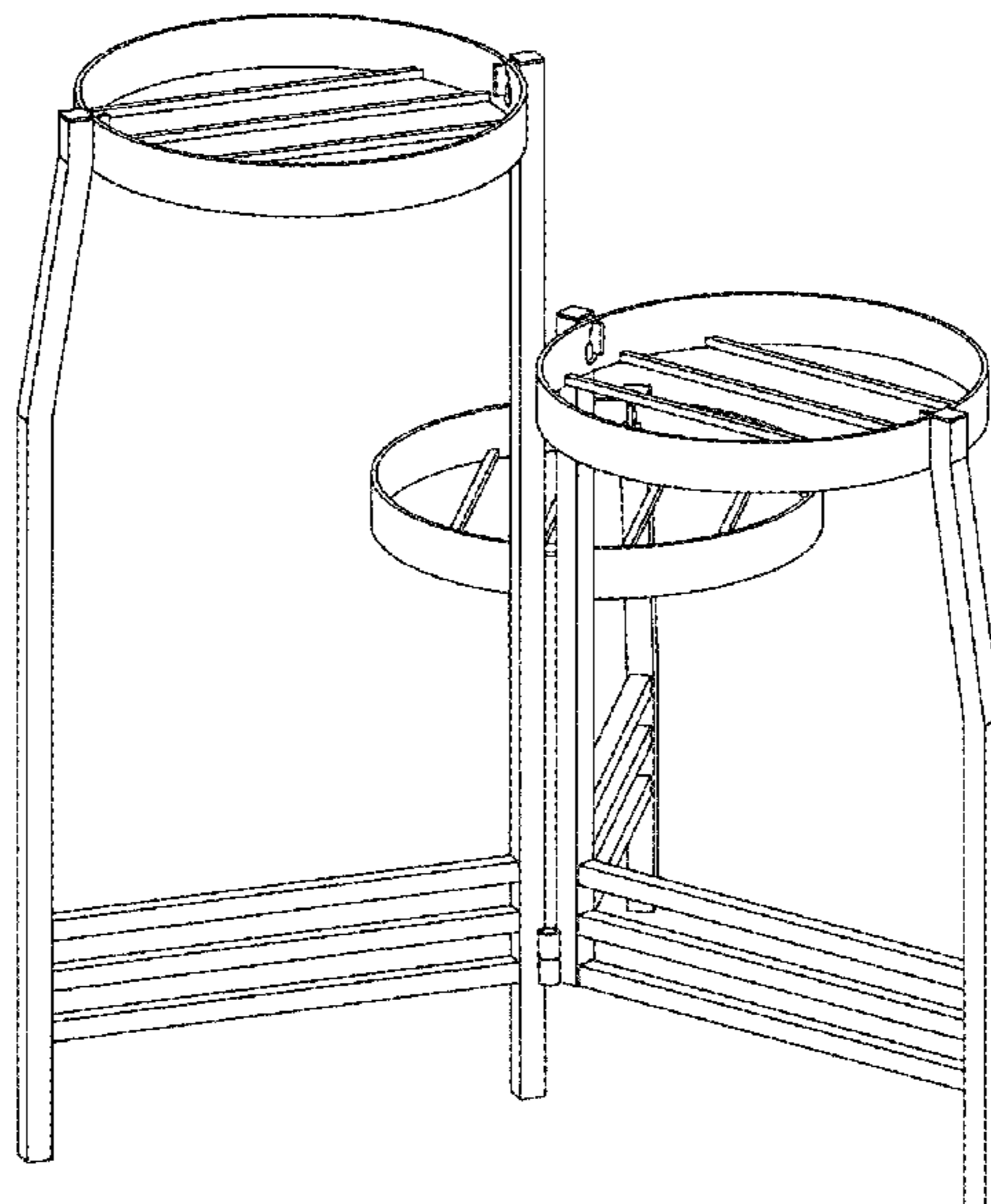
The ornamental design for a triple plant stand, as shown and described.

**DESCRIPTION**

FIG. 1 is a top perspective view thereof;  
FIG. 2 is a bottom perspective view thereof;  
FIG. 3 is a front view thereof;  
FIG. 4 is a rear view thereof;  
FIG. 5 is a left side view thereof;  
FIG. 6 is a right side view thereof;  
FIG. 7 is a top view thereof; and,  
FIG. 8 is a bottom view thereof.

**1 Claim, 8 Drawing Sheets**

- (56) **References Cited**  
  - U.S. PATENT DOCUMENTS
  - 214,061 A \* 4/1879 Stearns ..... A47G 7/047 47/67
  - 554,661 A \* 2/1896 Doolittle ..... A47G 7/041 108/105



(56)

References Cited

U.S. PATENT DOCUMENTS

D302,889	S *	8/1989	Goodwin	.....	D34/21
5,178,286	A *	1/1993	Allison, III	.....	A47F 5/06
					211/205
D333,745	S *	3/1993	Ma	.....	D6/405
D345,871	S *	4/1994	Anderson	.....	D6/405
5,810,181	A *	9/1998	Emalfarb	.....	A47F 5/13
					108/94
D403,533	S *	1/1999	Paul	.....	D6/677.3
5,947,306	A *	9/1999	Chang	.....	A47G 7/044
					211/133.4
D426,399	S *	6/2000	Yi	.....	D6/405
D435,177	S *	12/2000	Buell	.....	D6/403
D444,359	S *	7/2001	Levy	.....	D7/704
D446,402	S *	8/2001	Davies	.....	D6/403
D446,403	S *	8/2001	Davies	.....	D6/403
D571,125	S *	6/2008	Peters	.....	D6/682.6
D571,575	S *	6/2008	Hunter	.....	D6/405
D574,166	S *	8/2008	Kaisler	.....	D6/681.3
7,458,475	B2 *	12/2008	Ho	.....	A47G 7/041
					211/182
D681,380	S *	5/2013	Lien	.....	D6/552
9,320,206	B2 *	4/2016	Ganske	.....	A47G 7/041
D845,661	S *	4/2019	McGehee	.....	D6/405
D878,801	S *	3/2020	Wang	.....	D6/512
2007/0289209	A1 *	12/2007	Hager	.....	A47G 7/041
					47/39

\* cited by examiner

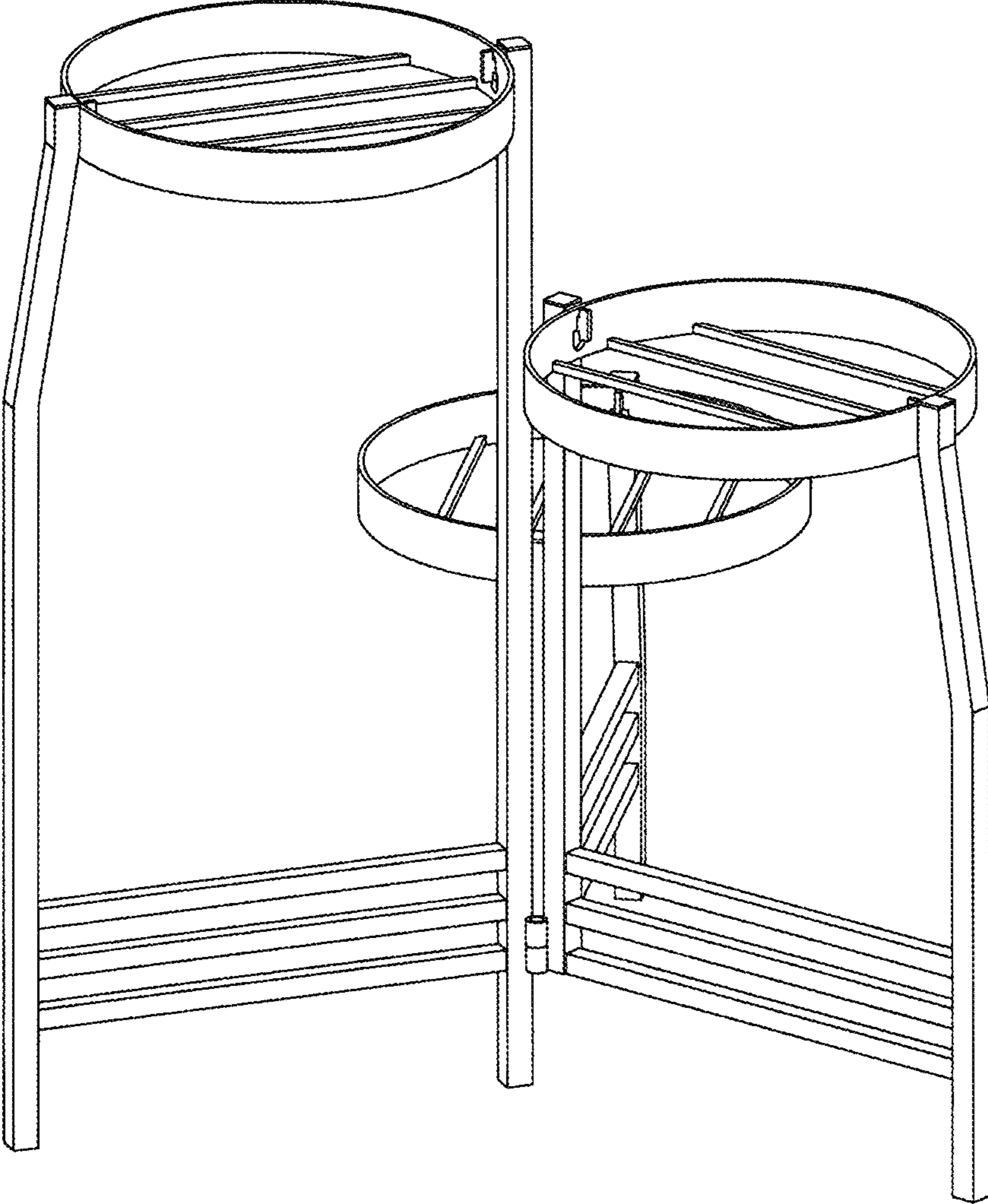


Fig. 1

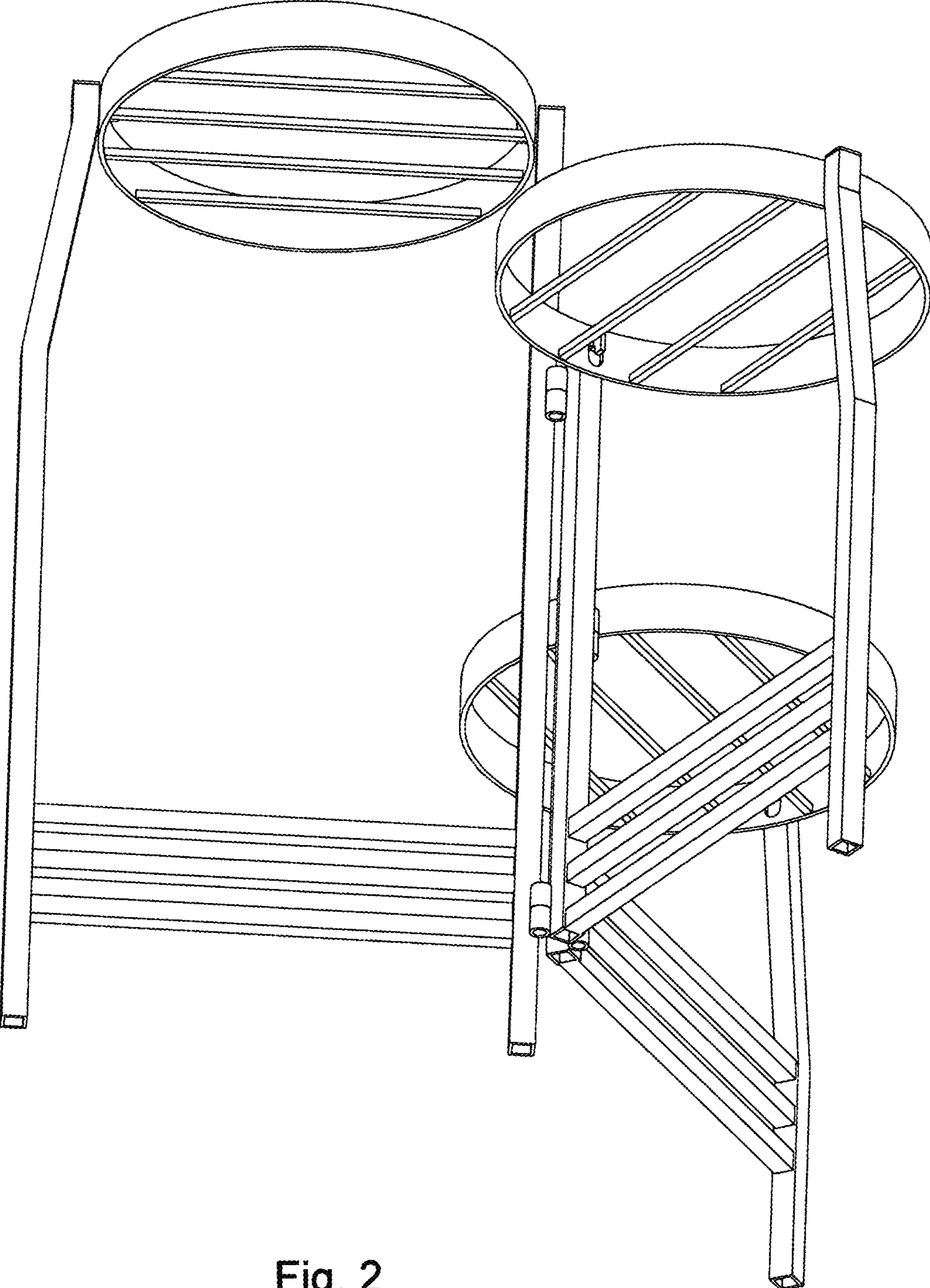


Fig. 2

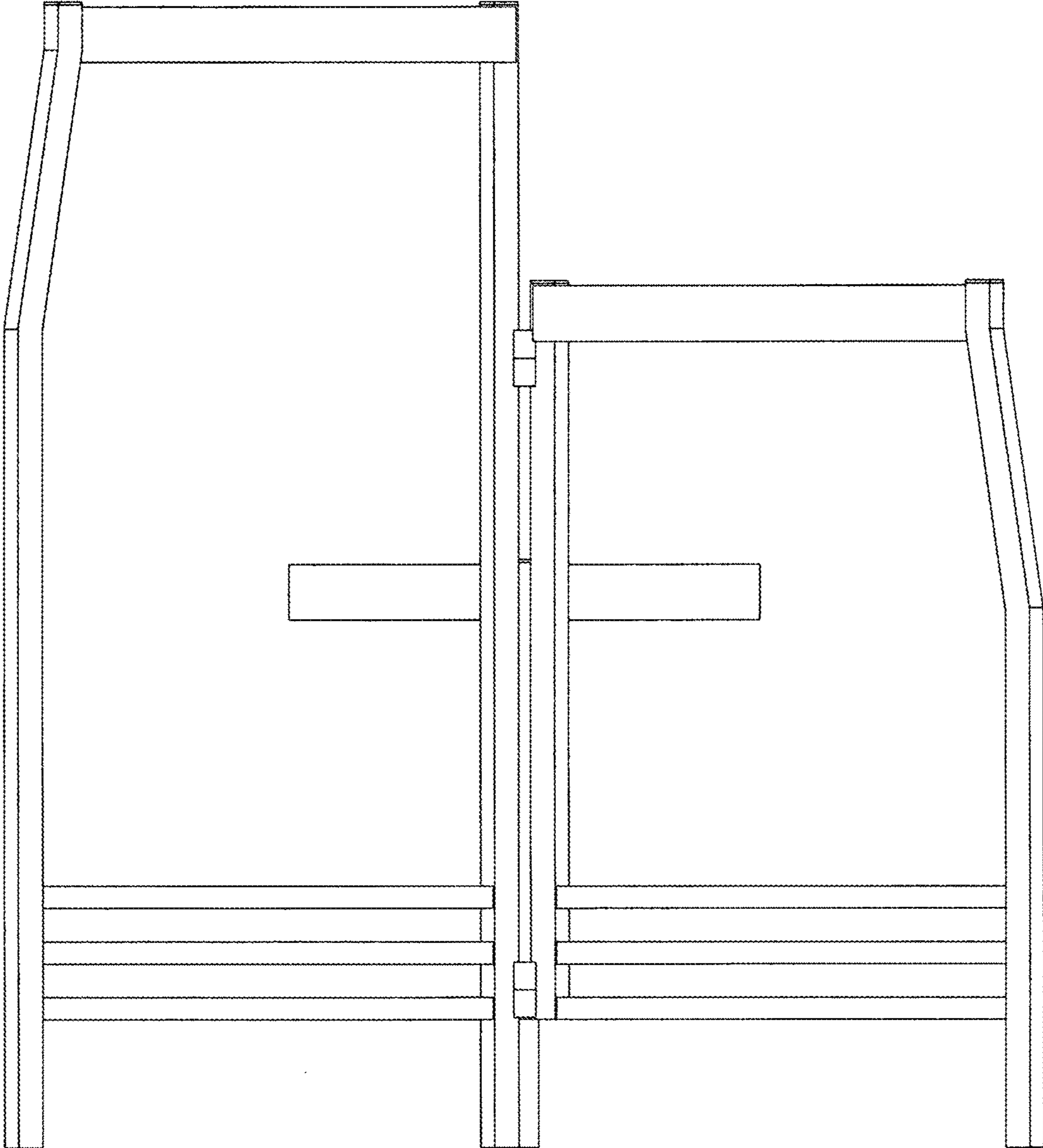


Fig. 3

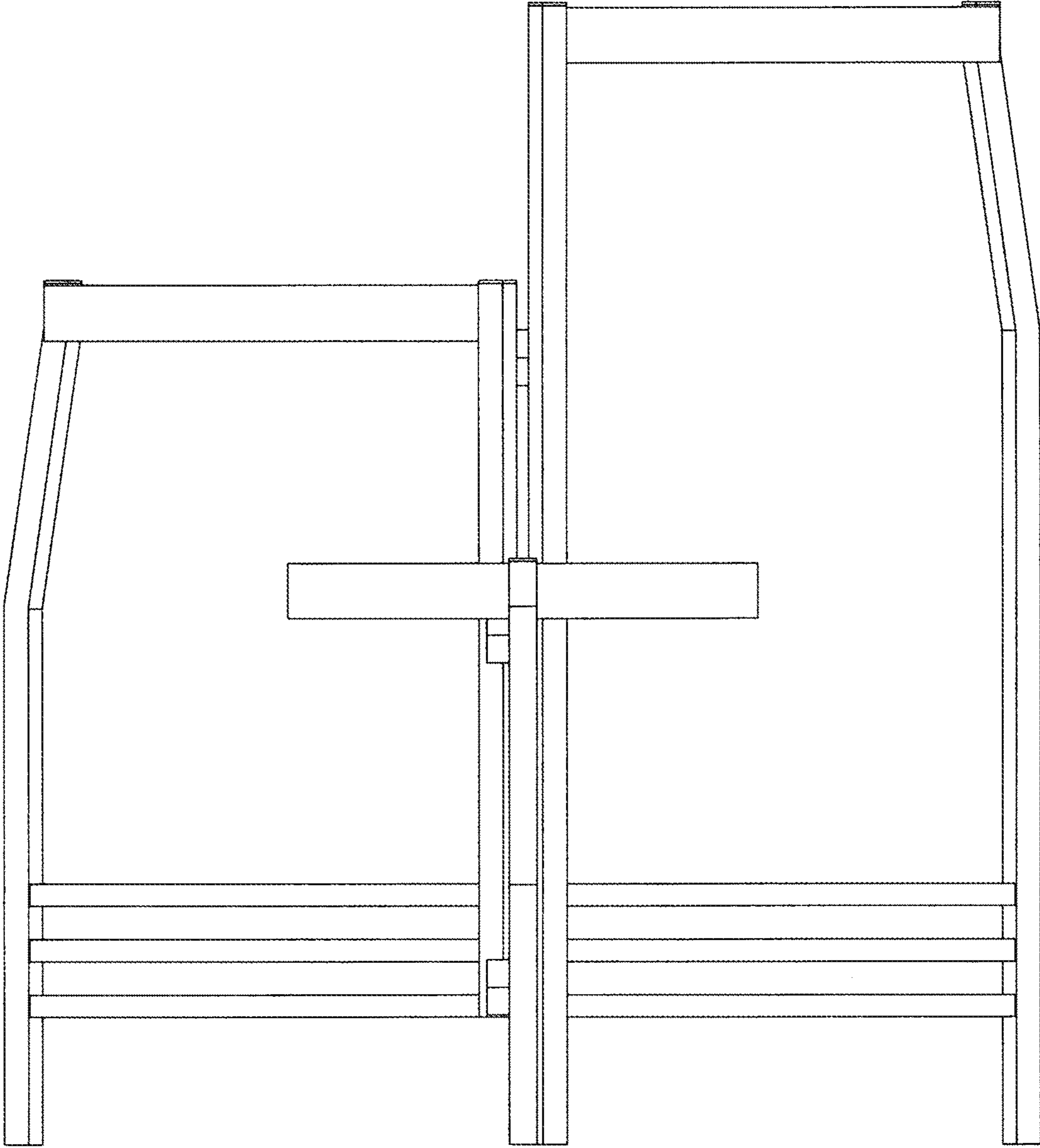


Fig. 4

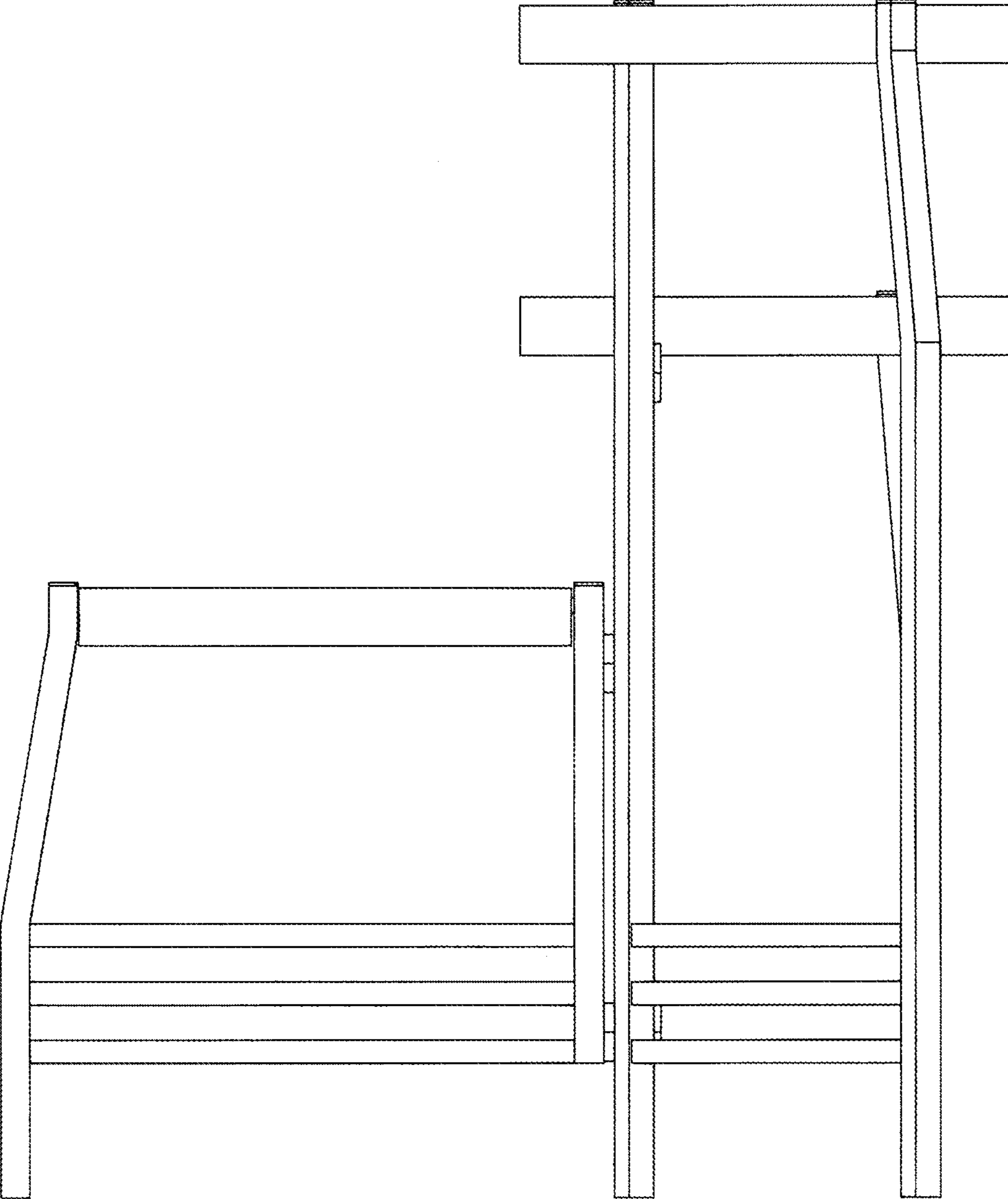


Fig. 5

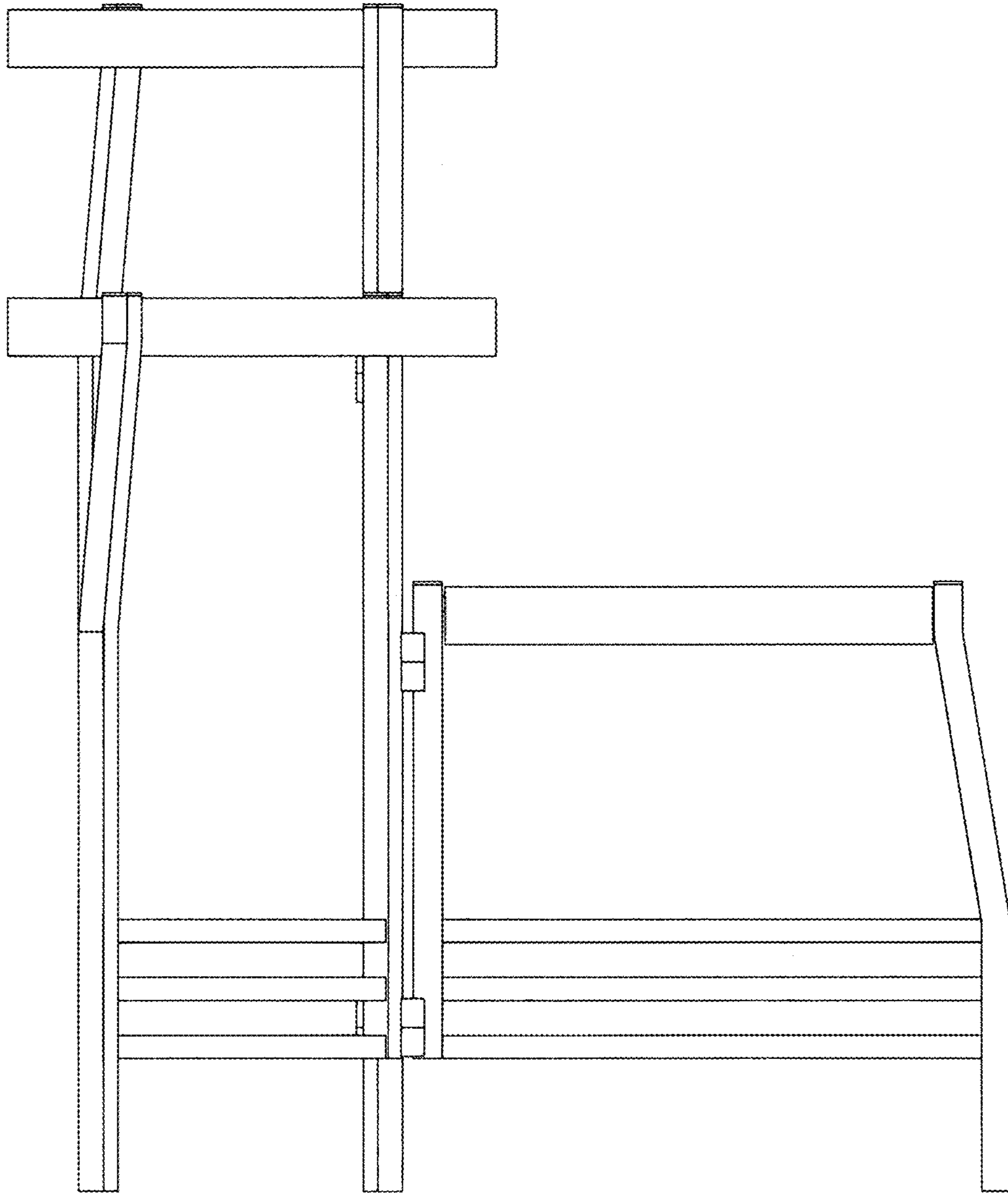


Fig. 6



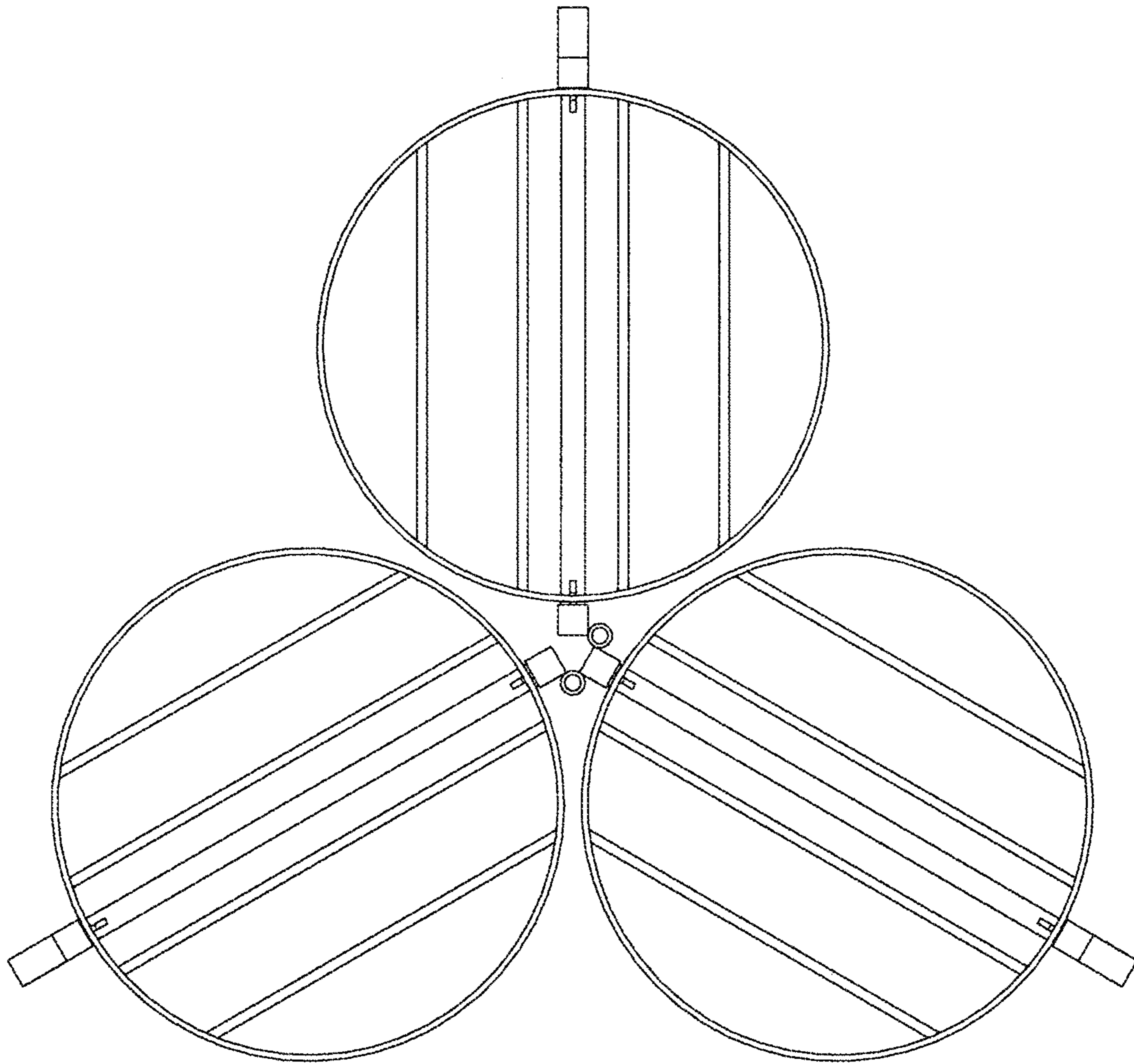


Fig. 7

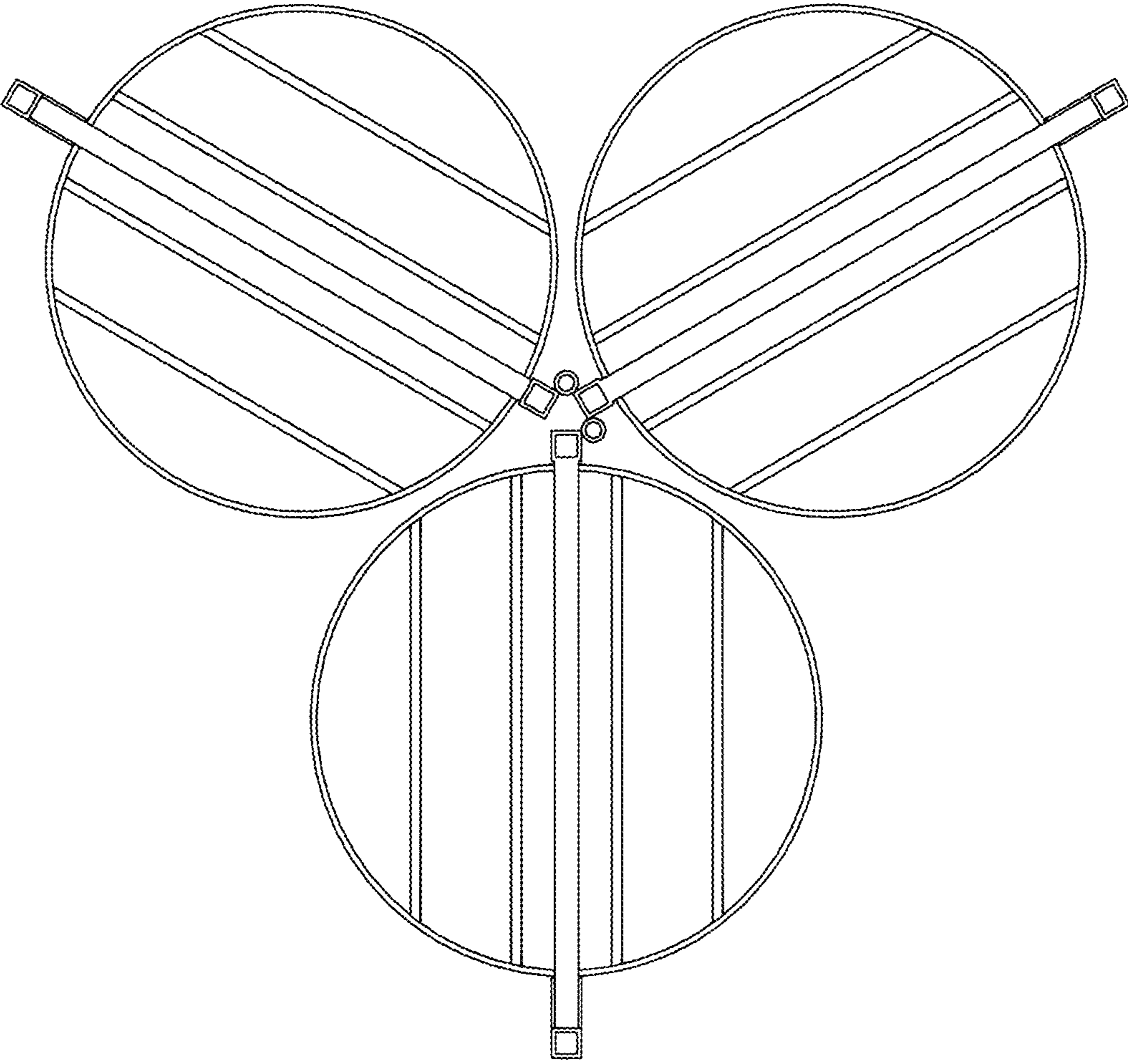


Fig. 8