



US00D898402S

(12) **United States Design Patent**
King et al.

(10) **Patent No.:** **US D898,402 S**

(45) **Date of Patent:** **** Oct. 13, 2020**

(54) **ARTICLE OF FURNITURE**

CPC A47C 17/02; A47C 17/04
See application file for complete search history.

(71) Applicant: **King Furniture Australia Pty Ltd.**,
Turrella, NSW (AU)

(56) **References Cited**

(72) Inventors: **David King**, Turrella (AU); **Ryan Lawson**, Turrella (AU); **Anastasi Panagopoulos**, Turrella (AU); **Tanya Rechberger**, Turrella (AU)

U.S. PATENT DOCUMENTS

D238,914 S * 2/1976 Zapf D6/334
D240,096 S 6/1976 Haggstam et al.
3,973,800 A * 8/1976 Kogan A47C 13/005
297/440.23

(73) Assignee: **King Furniture Australia Pty Ltd.**,
Turrella (AU)

D247,335 S 2/1978 Dranger et al.
(Continued)

(**) Term: **15 Years**

Primary Examiner — Deanna L Pratt

(21) Appl. No.: **29/695,206**

(74) *Attorney, Agent, or Firm* — Banner & Witcoff, Ltd.

(22) Filed: **Jun. 17, 2019**

(57) **CLAIM**

The ornamental design for an article of furniture, as shown and described.

Related U.S. Application Data

DESCRIPTION

(62) Division of application No. 29/607,057, filed on Jun. 9, 2017, now Pat. No. Des. 851,416.

FIG. 1 is a perspective, front view of a first embodiment of an article of furniture;
FIG. 2 is a plan view thereof;
FIG. 3 is a rear view thereof;
FIG. 4 is a right side view thereof;
FIG. 5 is a front view thereof;
FIG. 6 is a left side view thereof;
FIG. 7 is a perspective, rear view thereof;
FIG. 8 is a sectional view taken along lines A-A in each of FIGS. 1, 7, 9, and 15 of the drawings;
FIG. 9 is a perspective, front view of a second embodiment of an article of furniture;
FIG. 10 is a plan view thereof;
FIG. 11 is a rear view thereof;
FIG. 12 is a right side view thereof;
FIG. 13 is a front view thereof;
FIG. 14 is a left side view thereof; and
FIG. 15 is a perspective, rear view thereof.
The broken lines illustrate portions of the article of furniture that form no part of the claimed design.

(30) **Foreign Application Priority Data**

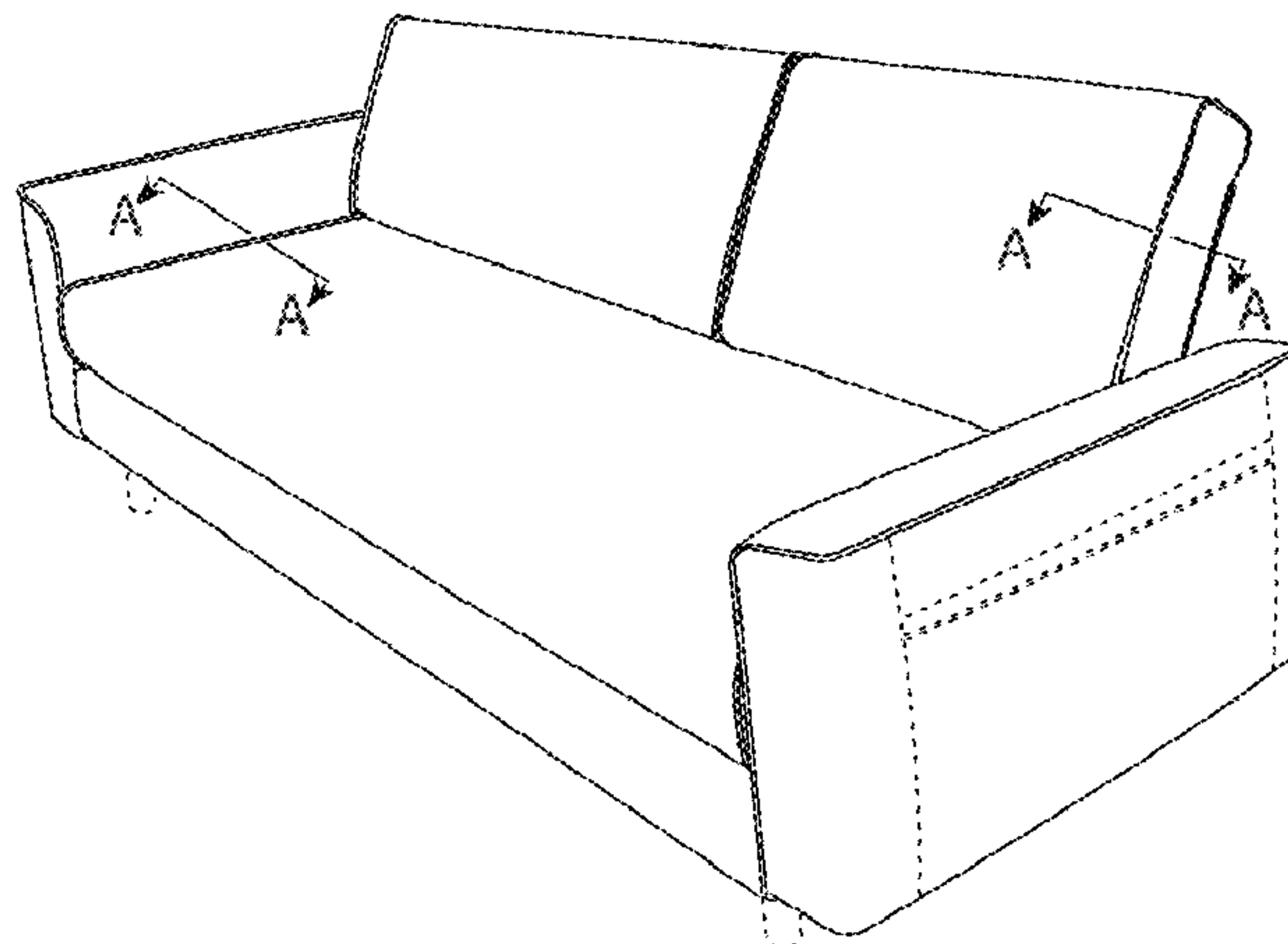
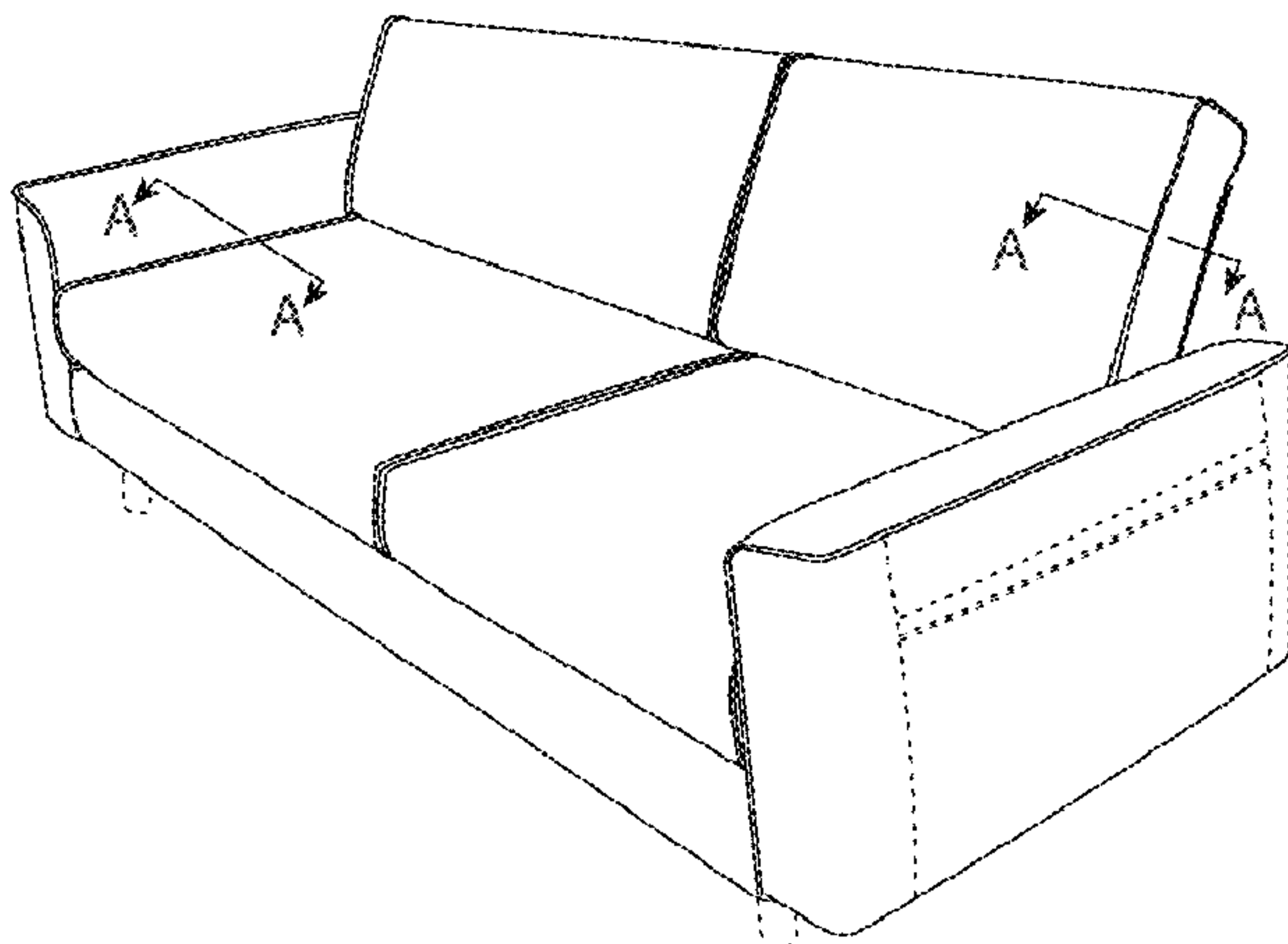
Dec. 9, 2016	(AU)	201616933
Dec. 9, 2016	(AU)	201616934
Dec. 9, 2016	(AU)	201616935
Dec. 9, 2016	(AU)	201616936
Dec. 9, 2016	(AU)	201616937
Dec. 9, 2016	(AU)	201616938
Dec. 9, 2016	(AU)	201616939
Dec. 9, 2016	(AU)	201616940
Dec. 9, 2016	(AU)	201616941
Dec. 9, 2016	(AU)	201616942

(51) **LOC (12) Cl.** **06-01**

(52) **U.S. Cl.**
USPC **D6/381**

(58) **Field of Classification Search**
USPC D6/334-338, 360, 361, 367, 368, 371,
D6/372-375, 379, 381

1 Claim, 2 Drawing Sheets



(56)

References Cited

U.S. PATENT DOCUMENTS

D289,831 S	5/1987	Leib		D545,070 S	6/2007	Hutton	
D292,350 S *	10/1987	Goldman	D6/361	D576,805 S *	9/2008	Natuzzi	D6/334
D310,143 S	8/1990	Hopfer		D580,670 S	11/2008	Weiss	
D327,174 S	6/1992	Hopfer		D609,034 S	2/2010	Lissoni	
5,137,332 A	8/1992	Gualtierotti et al.		D619,820 S	7/2010	Lissoni	
D335,395 S	5/1993	Gibson		D657,965 S	4/2012	Amini	
D336,377 S	6/1993	Gibson		D693,584 S	11/2013	Kanthasamy	
D336,787 S	6/1993	Gibson		D718,552 S	12/2014	Kanthasamy	
D400,364 S *	11/1998	Hutton	D6/361	D801,720 S	11/2017	Morrison	
D433,824 S	11/2000	King		D816,366 S	5/2018	King et al.	
D433,825 S	11/2000	Piretti		D826,859 S	8/2018	Natuzzi	
D493,296 S *	7/2004	Nicoletti	D6/381	D829,451 S	10/2018	Bozzoli	
D495,153 S	8/2004	Ricci		D831,993 S *	10/2018	George, II	D6/375
D495,893 S	9/2004	Ricci		D832,609 S	11/2018	Hecht et al.	
6,824,220 B1	11/2004	Davison		D849,441 S *	5/2019	King	D6/381
D499,261 S	12/2004	Ricci		D851,416 S *	6/2019	King	D6/334
D538,054 S *	3/2007	Lissoni	D6/334	D851,419 S *	6/2019	King	D6/381
				D878,796 S *	3/2020	Gabbertas	D6/378
				2013/0341992 A1	12/2013	King et al.	
				2017/0303690 A1	10/2017	King et al.	

* cited by examiner

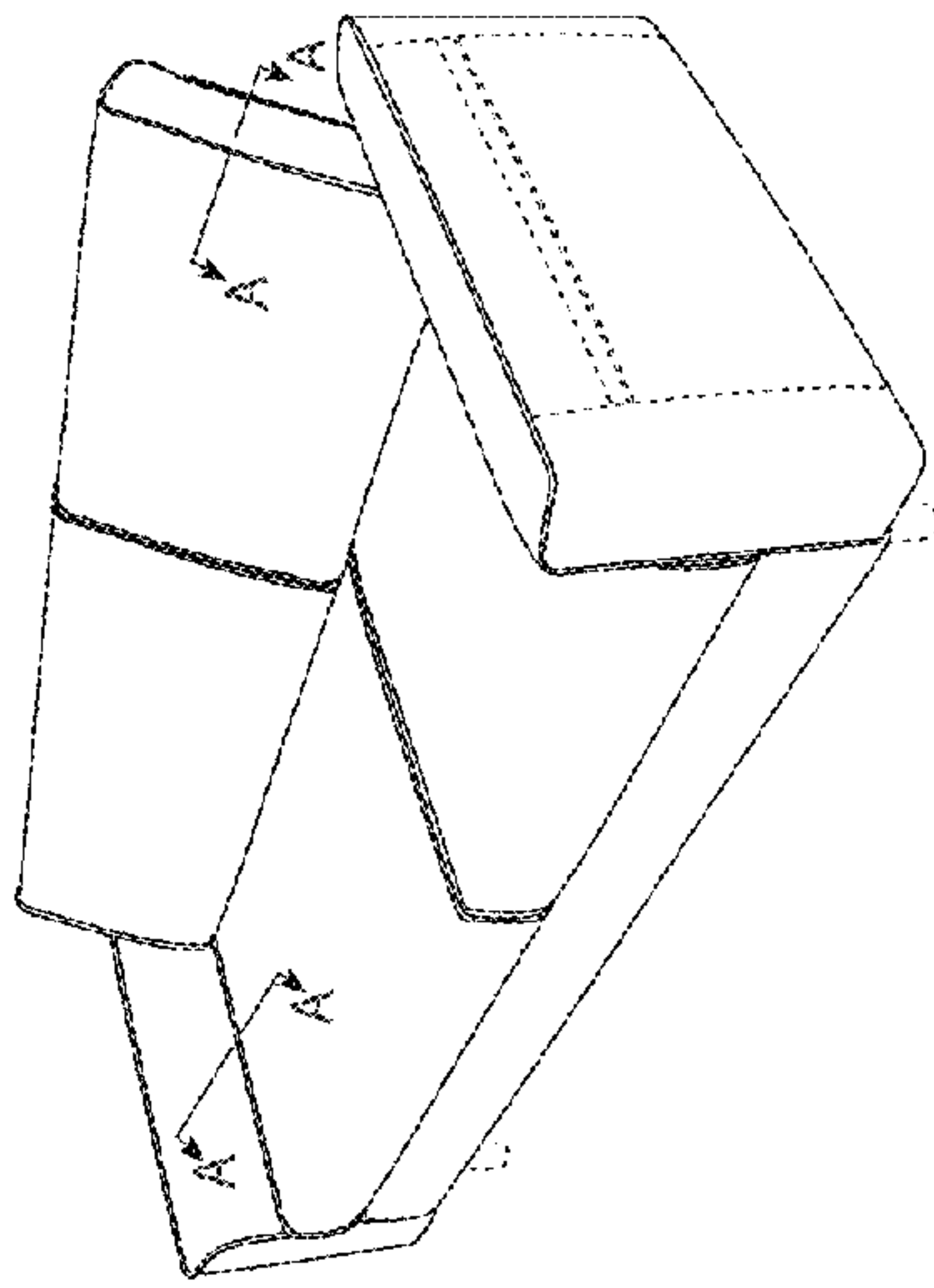


FIG. 1

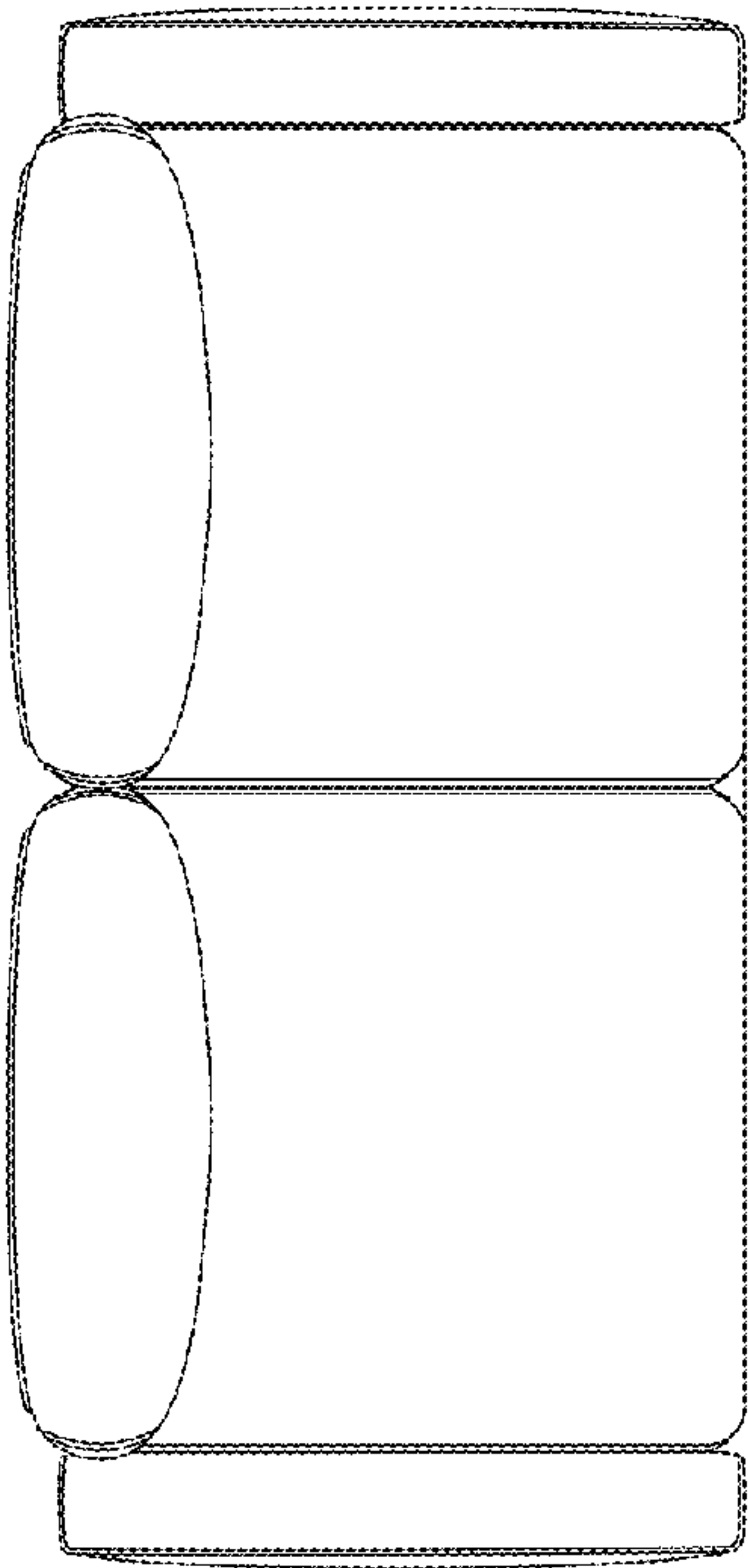


FIG. 2

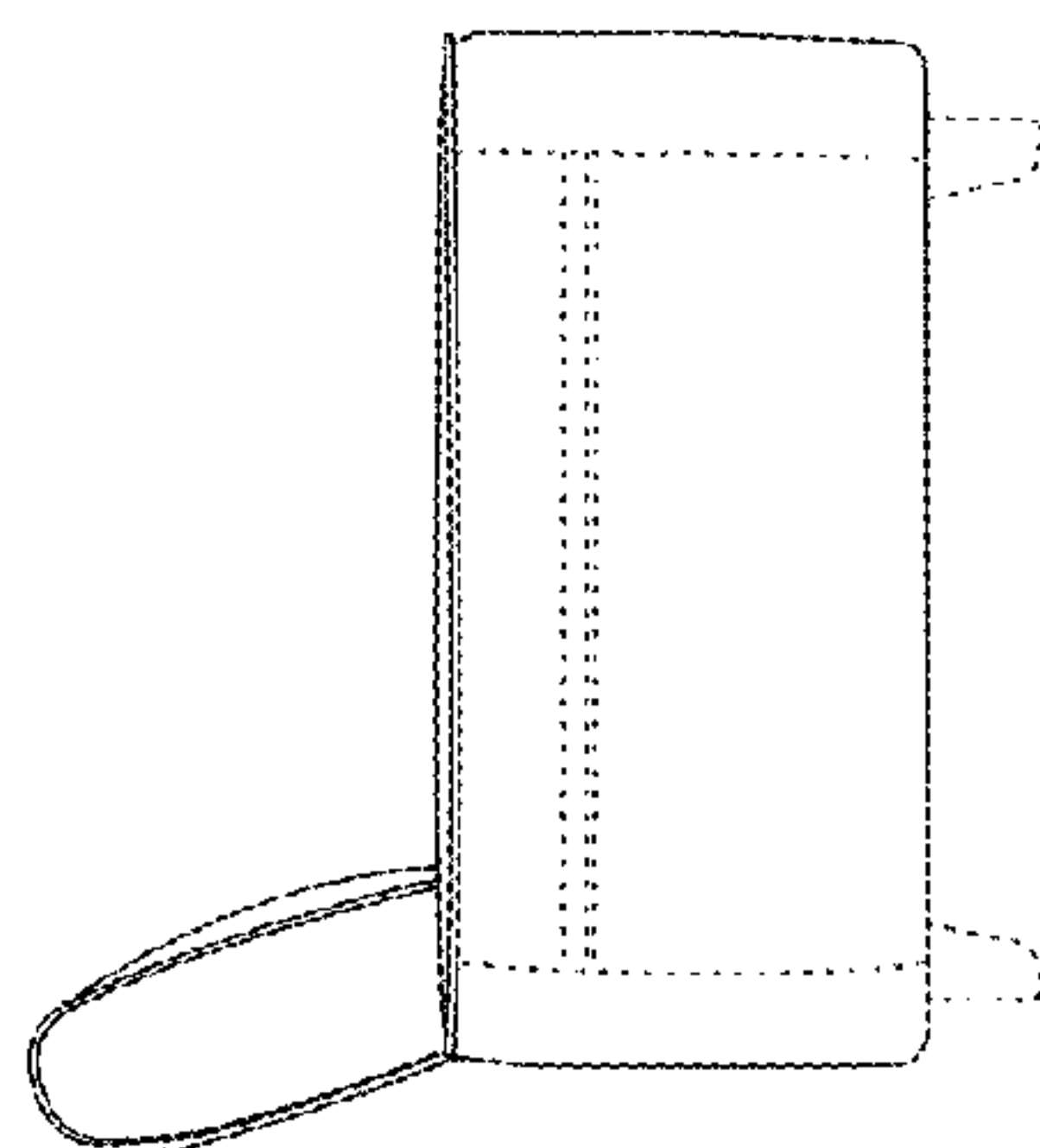


FIG. 4

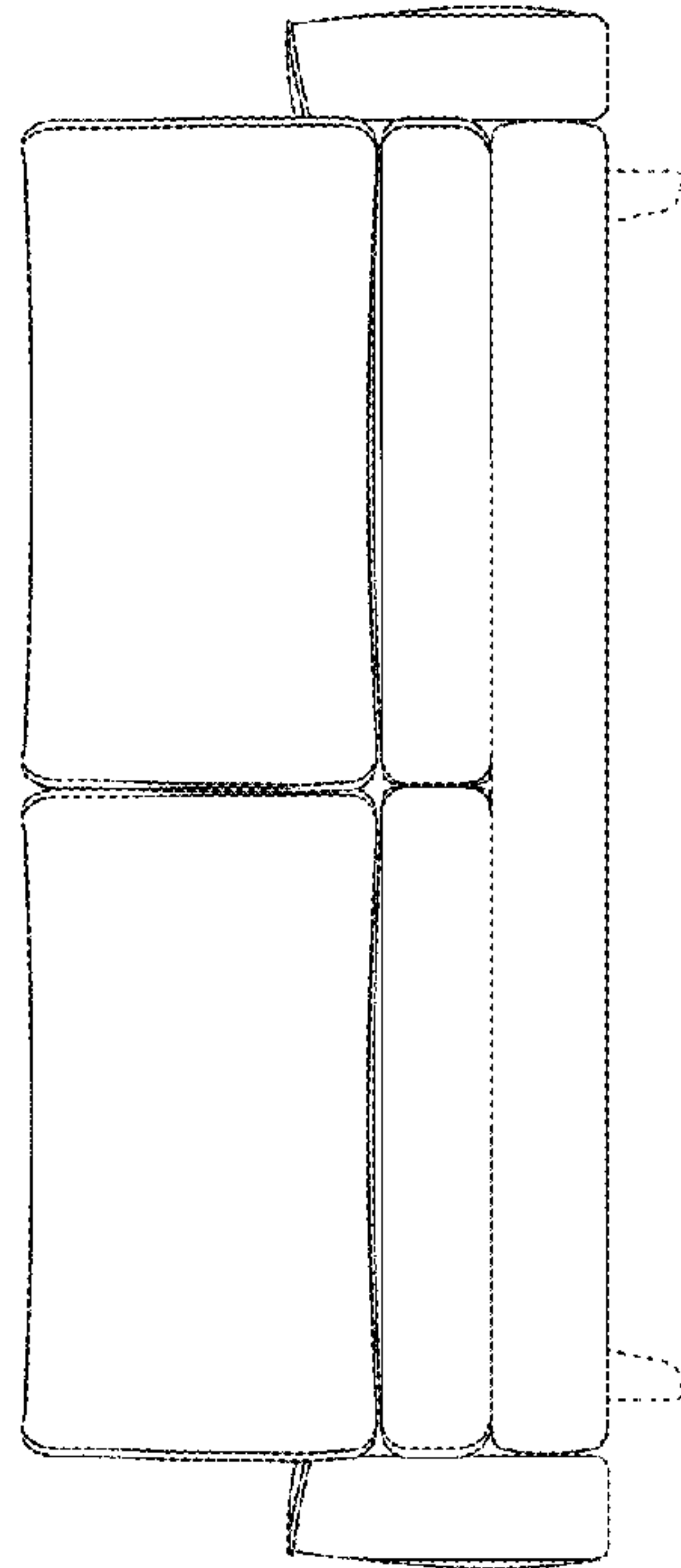


FIG. 5

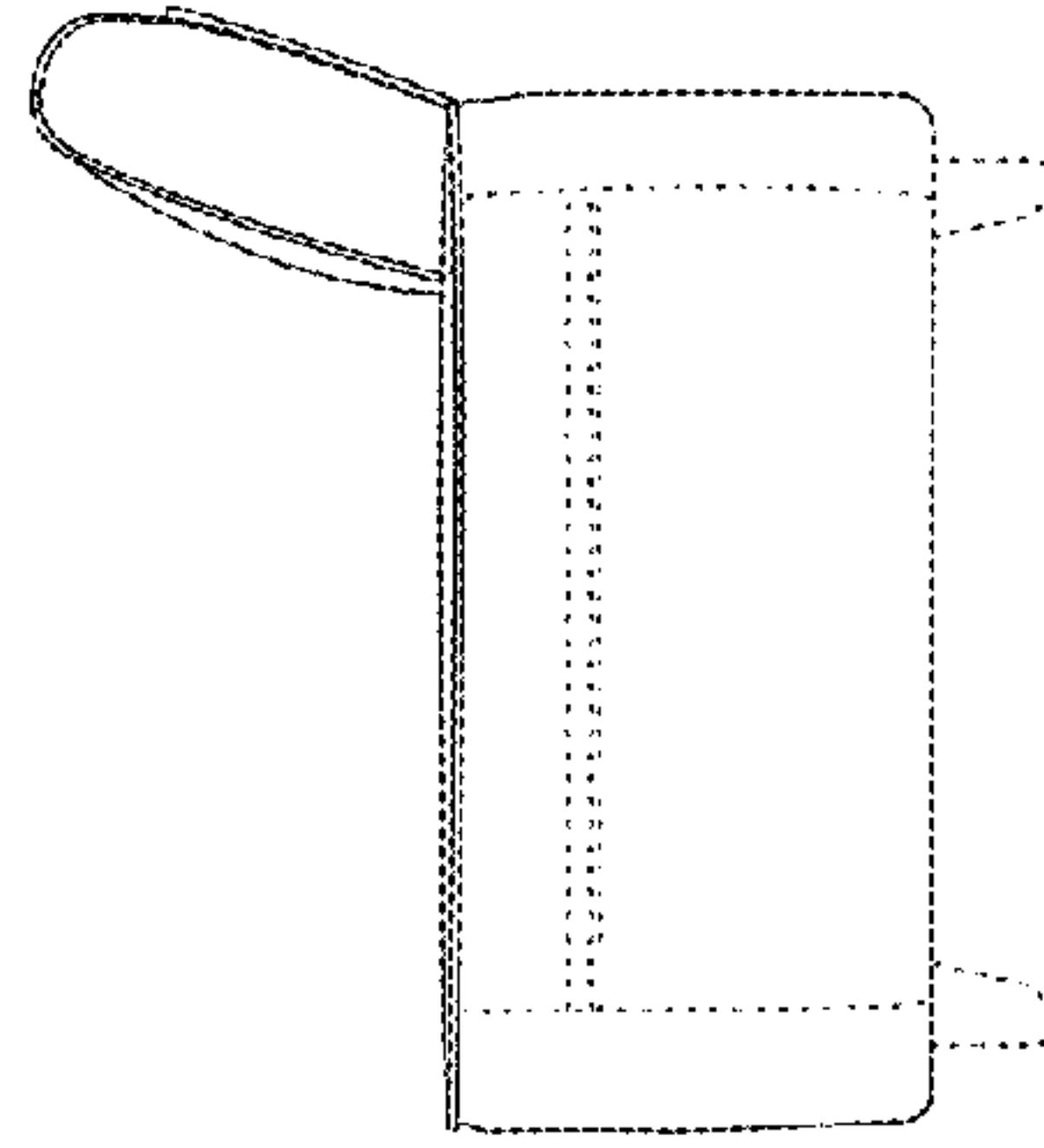


FIG. 6

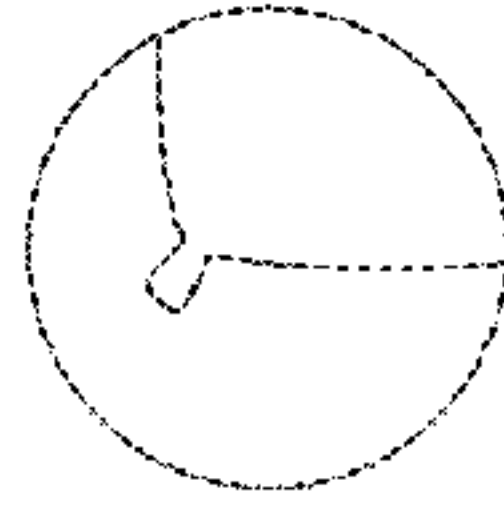


FIG. 8

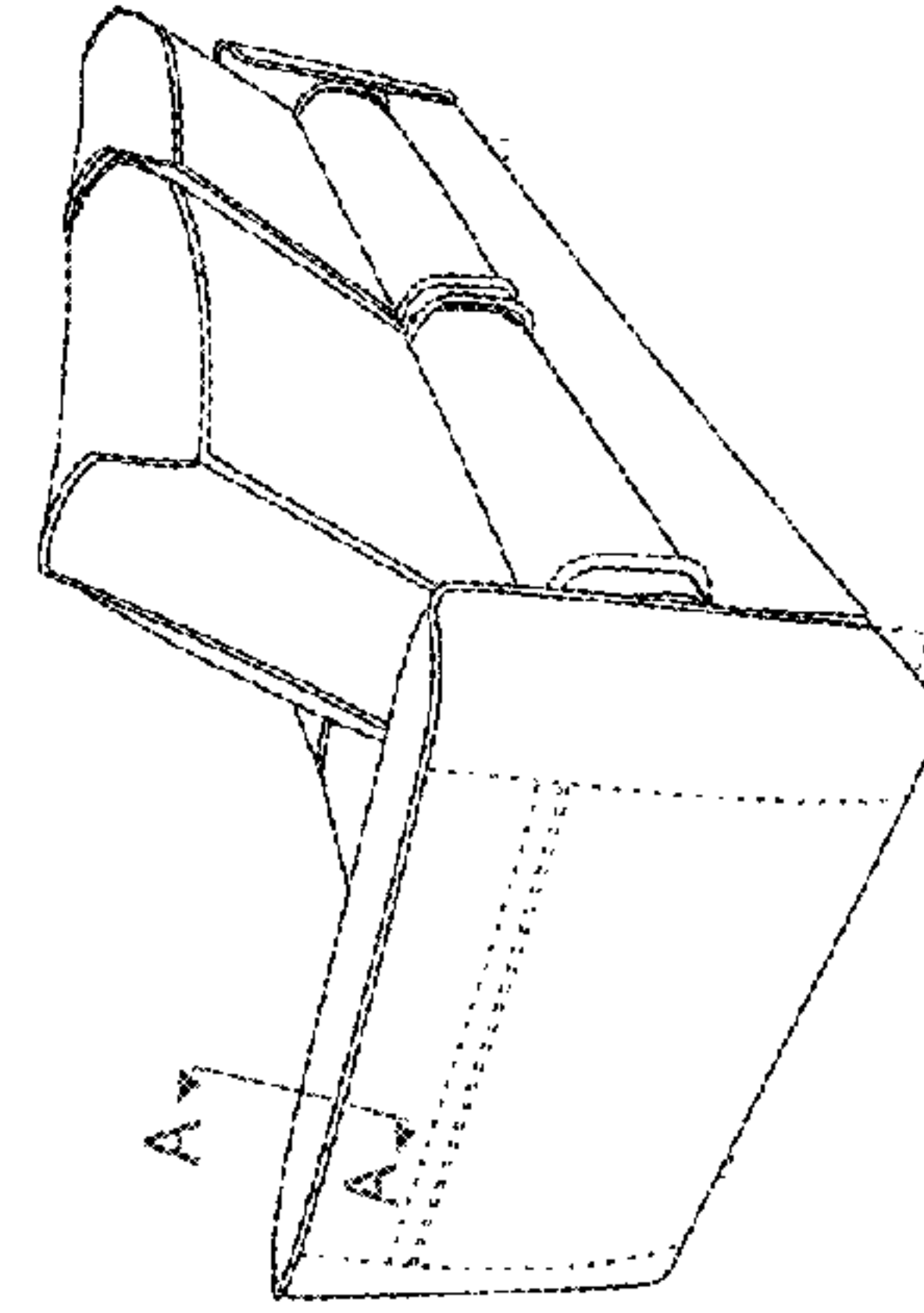


FIG. 7

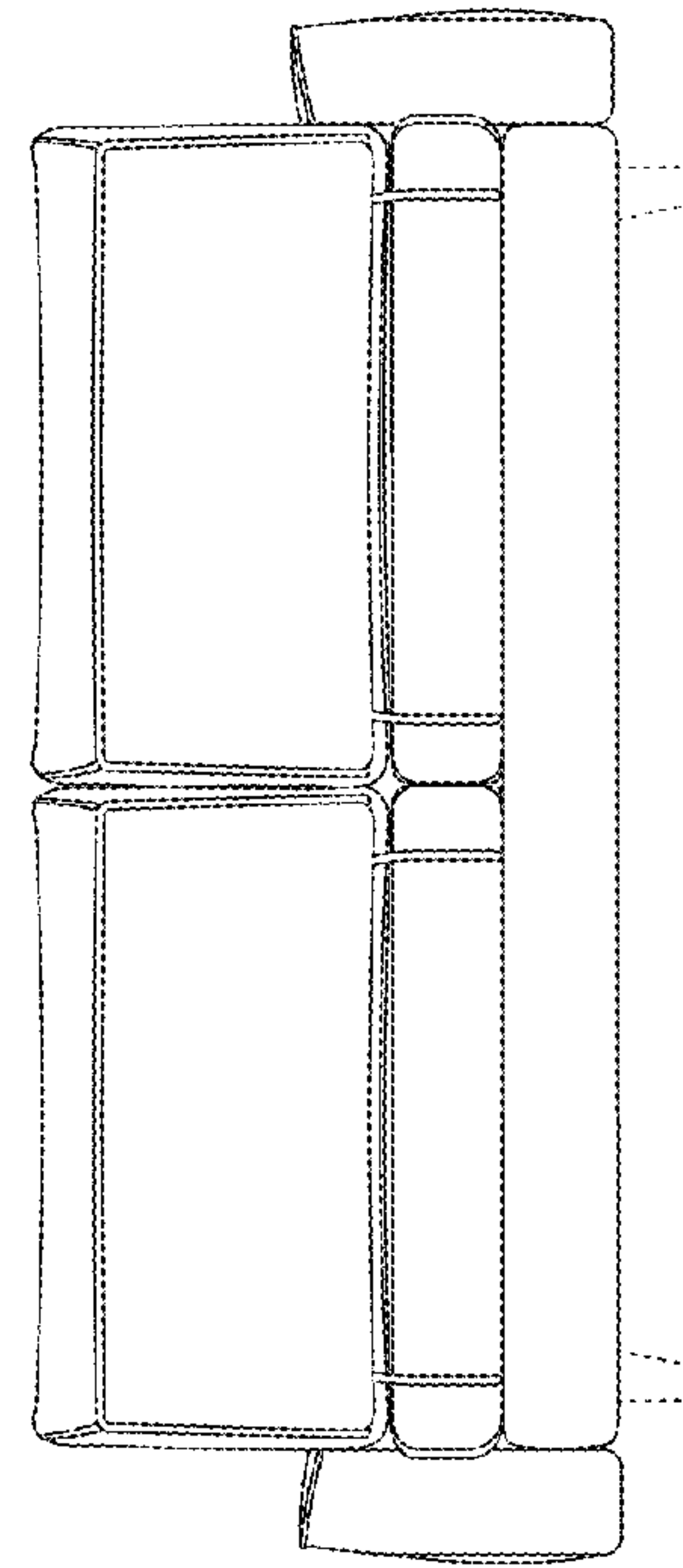


FIG. 3

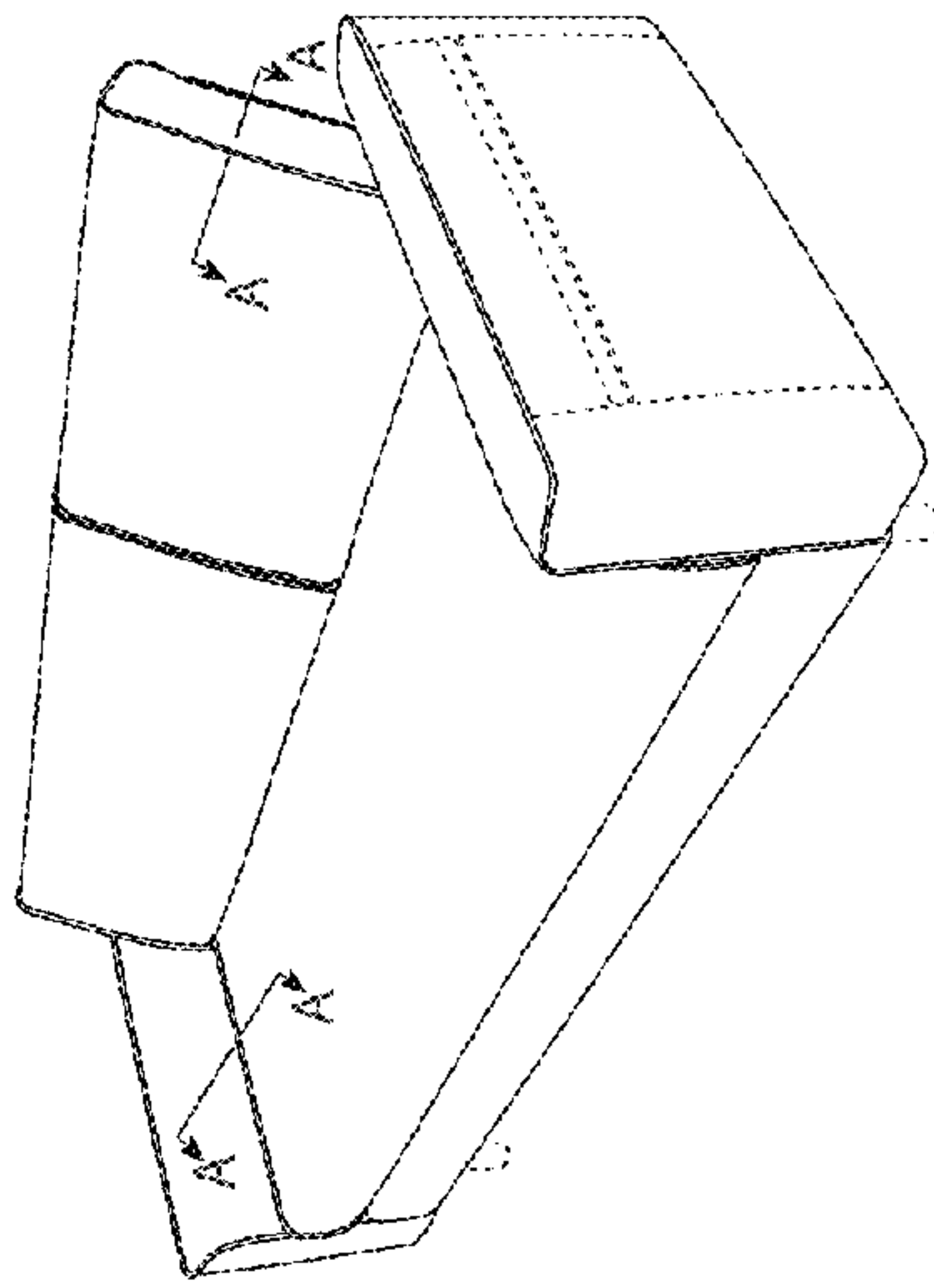


FIG. 9

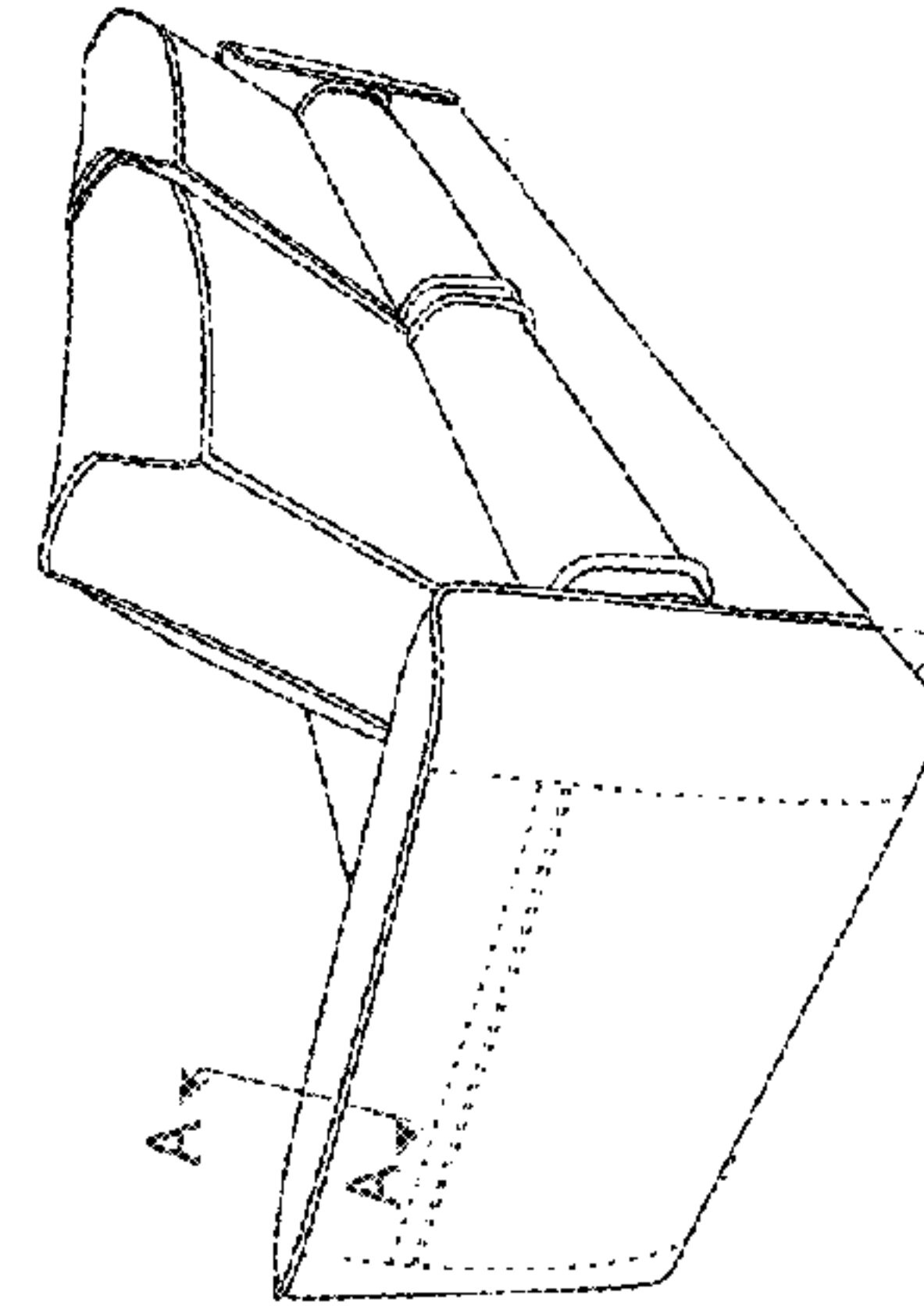


FIG. 15

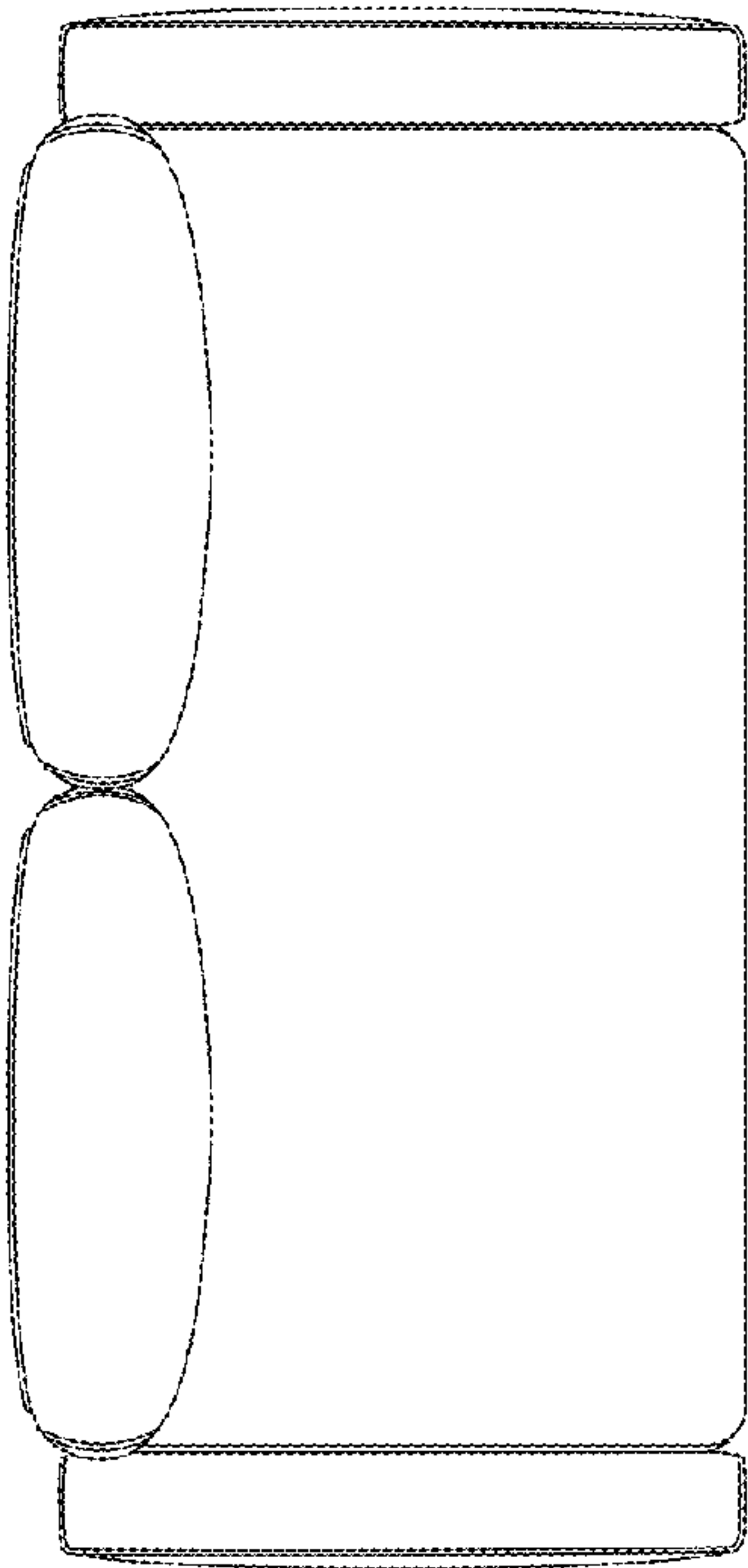


FIG. 10

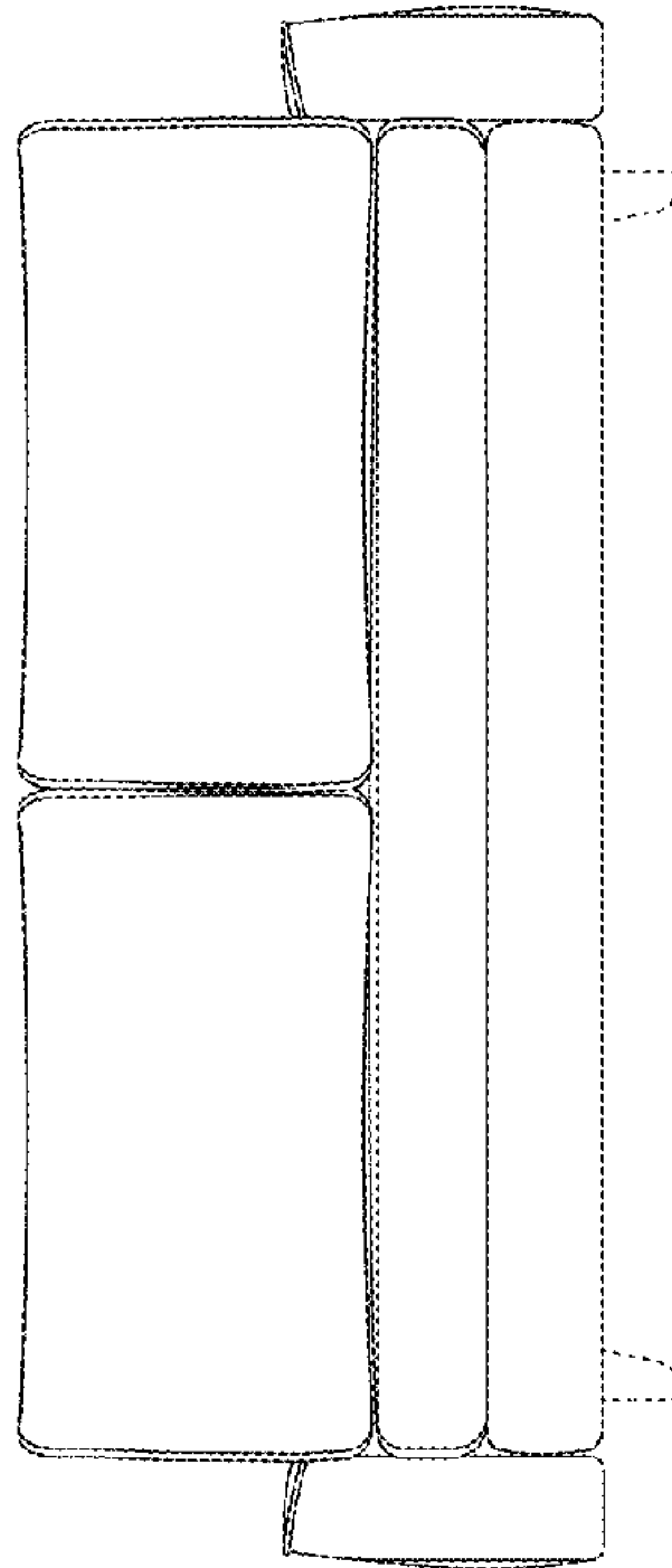


FIG. 13

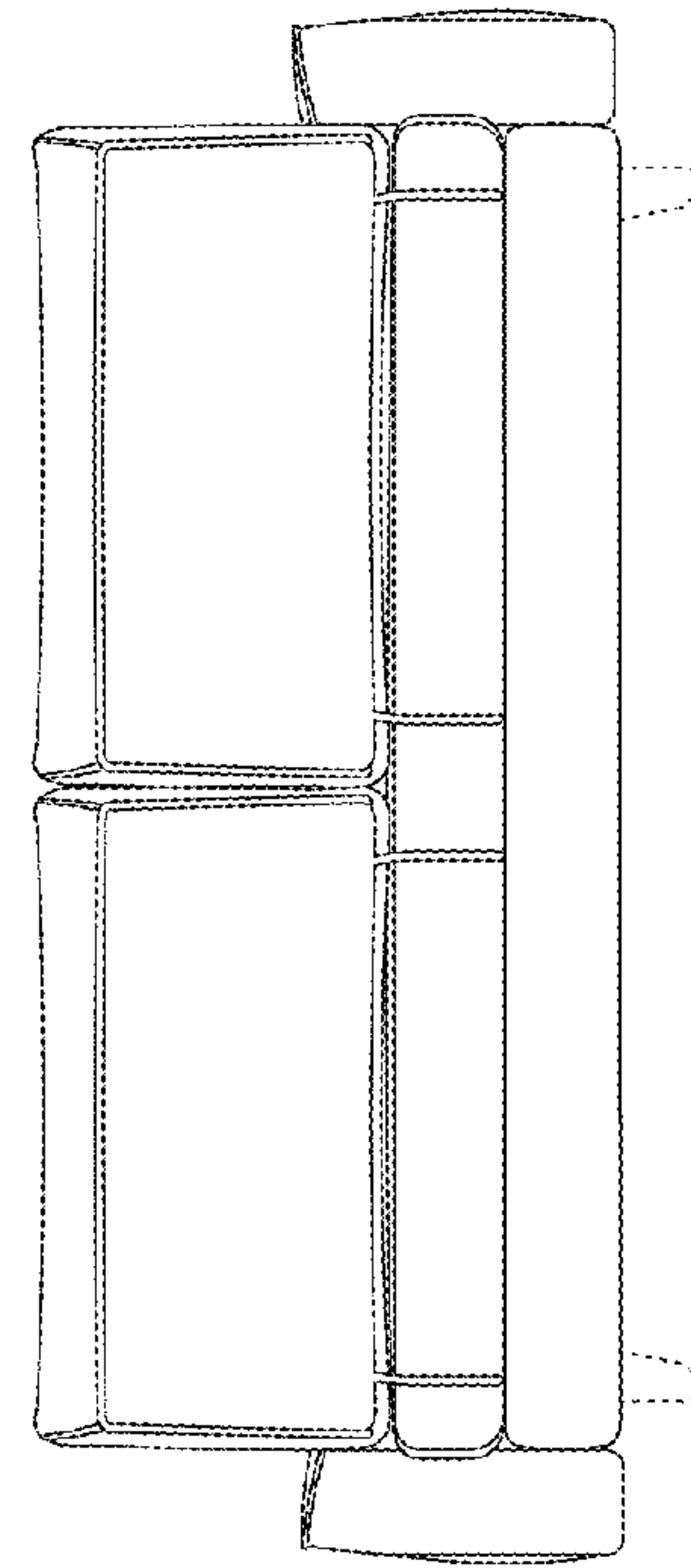


FIG. 11

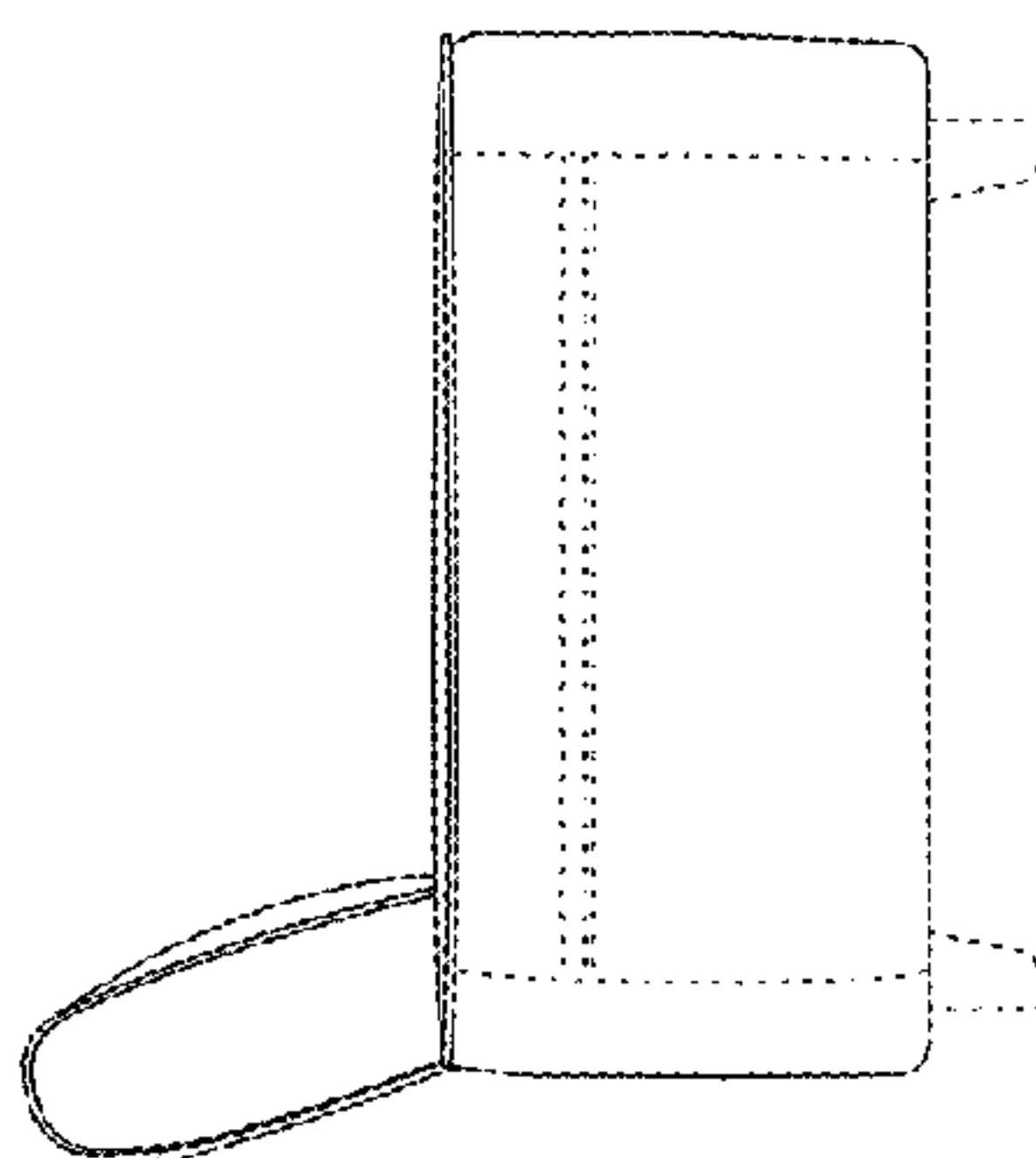


FIG. 12

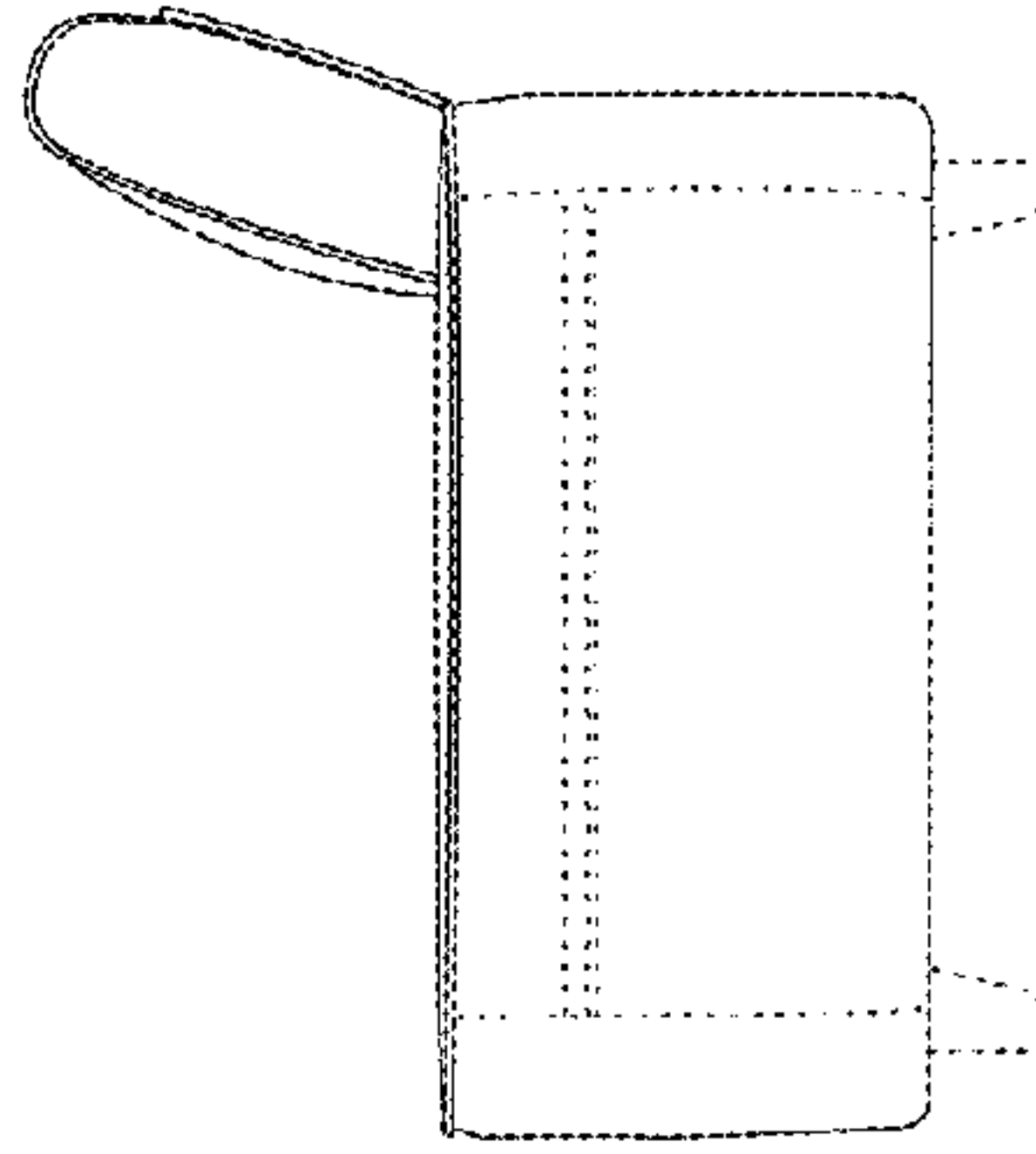


FIG. 14