



US00D898400S

(12) **United States Design Patent**
Tabuchi

(10) **Patent No.:** **US D898,400 S**

(45) **Date of Patent:** **** Oct. 13, 2020**

(54) **ARMCHAIR**

(71) Applicant: **Arrmet S.r.l.**, Manzano (Udine) (IT)

(72) Inventor: **Tomoya Tabuchi**, Tokyo (JP)

(**) Term: **15 Years**

(21) Appl. No.: **29/707,210**

(22) Filed: **Sep. 26, 2019**

(30) **Foreign Application Priority Data**

Apr. 6, 2019 (EM) 006371027-0001

(51) **LOC (12) Cl.** **06-01**

(52) **U.S. Cl.**
USPC **D6/376**

(58) **Field of Classification Search**
USPC D6/333, 334, 341, 348, 349, 350, 352,
D6/353, 360, 364, 369, 370, 371, 373,
D6/374, 375, 376, 377, 379, 380, 390,
D6/677, 692, 700, 708, 708.16, 716;
D16/237; D21/412, 419, 521
CPC A47C 1/124; A47C 3/34; A47C 4/028;
A47C 4/02; A47C 5/12; A47C 5/125;
A47C 7/506; A47C 9/007; A47C 13/005;
A47C 13/023; A47C 31/113; B60R
2/0284; B60R 2/062; B60R 22/001; B60R
22/24; B60R 22/28; B60R 22/58; B60R
22/64; B60R 22/68; B60R 22/80; B60R
22/99; B60R 22/245; B60R 22/643; B60R
22/646; B60R 22/665; B60R 22/686;
B60R 22/688; B60R 22/803; B60R
22/986; B60R 22/914; B60R 22/995
See application file for complete search history.

(56) **References Cited**

U.S. PATENT DOCUMENTS

3,053,493 A * 9/1962 Stafford A47C 3/04
297/239
3,141,699 A * 7/1964 Stafford A47C 3/04
297/239

D353,498 S * 12/1994 Cox D6/379
D502,331 S * 3/2005 Socha, Jr. D6/374
D655,527 S * 3/2012 Pillet D6/374
D655,934 S * 3/2012 Nigro D6/376
D740,045 S * 10/2015 Wilkinson D6/379
D740,046 S * 10/2015 Levy D6/379
D787,217 S * 5/2017 Lin D6/376
D799,848 S * 10/2017 Morrison D6/380
D805,797 S * 12/2017 Toffoloni D6/380
D836,358 S * 12/2018 Starck D6/374
D854,848 S * 7/2019 Palomba D6/374
D869,185 S * 12/2019 Coirier D6/370
D871,094 S * 12/2019 Coirier D6/370
D871,096 S * 12/2019 Coirier D6/373

(Continued)

OTHER PUBLICATIONS

“Kiyumi Chairs by Tomoya Tabuchi for Arrmet” Aug. 1, 2019,
www.sohomod.com, site visited Jul. 21, 2020 <<https://www.sohomod.com/blog/kiyumi-chairs-by-tomoya-tabuchi-for-arrmet/>> (Year: 2019).*

Primary Examiner — Kevin K Rudzinski
Assistant Examiner — Paul D Bohannon
(74) *Attorney, Agent, or Firm* — Themis Law

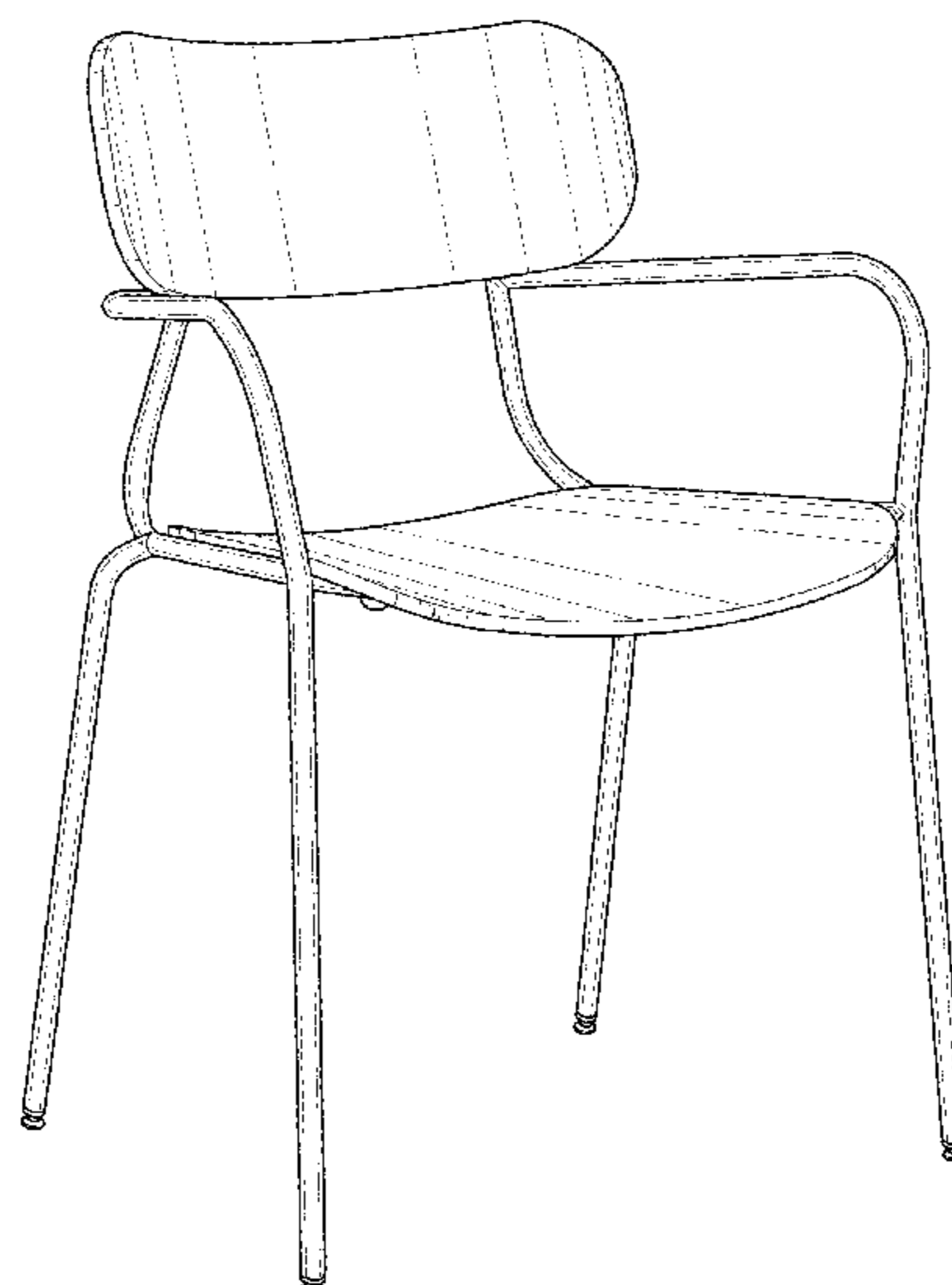
(57) **CLAIM**

The ornamental design for an armchair, as shown.

DESCRIPTION

FIG. 1 is a front perspective view of an armchair showing my new design;
FIG. 2 is a front elevational view thereof;
FIG. 3 is a rear elevational view thereof;
FIG. 4 is a left elevational view thereof;
FIG. 5 is the right elevational view thereof;
FIG. 6 is a top plan view thereof; and,
FIG. 7 is a bottom plan view thereof.

1 Claim, 7 Drawing Sheets



(56)

References Cited

U.S. PATENT DOCUMENTS

| | | | |
|--------------|--------|------------------|--------|
| D871,792 S * | 1/2020 | Citterio | D6/380 |
| D873,047 S * | 1/2020 | Wilkinson | D6/380 |
| D886,474 S * | 6/2020 | Jeffery | D6/334 |
| D889,156 S * | 7/2020 | Valdiserri | D6/376 |

* cited by examiner



FIG. 1

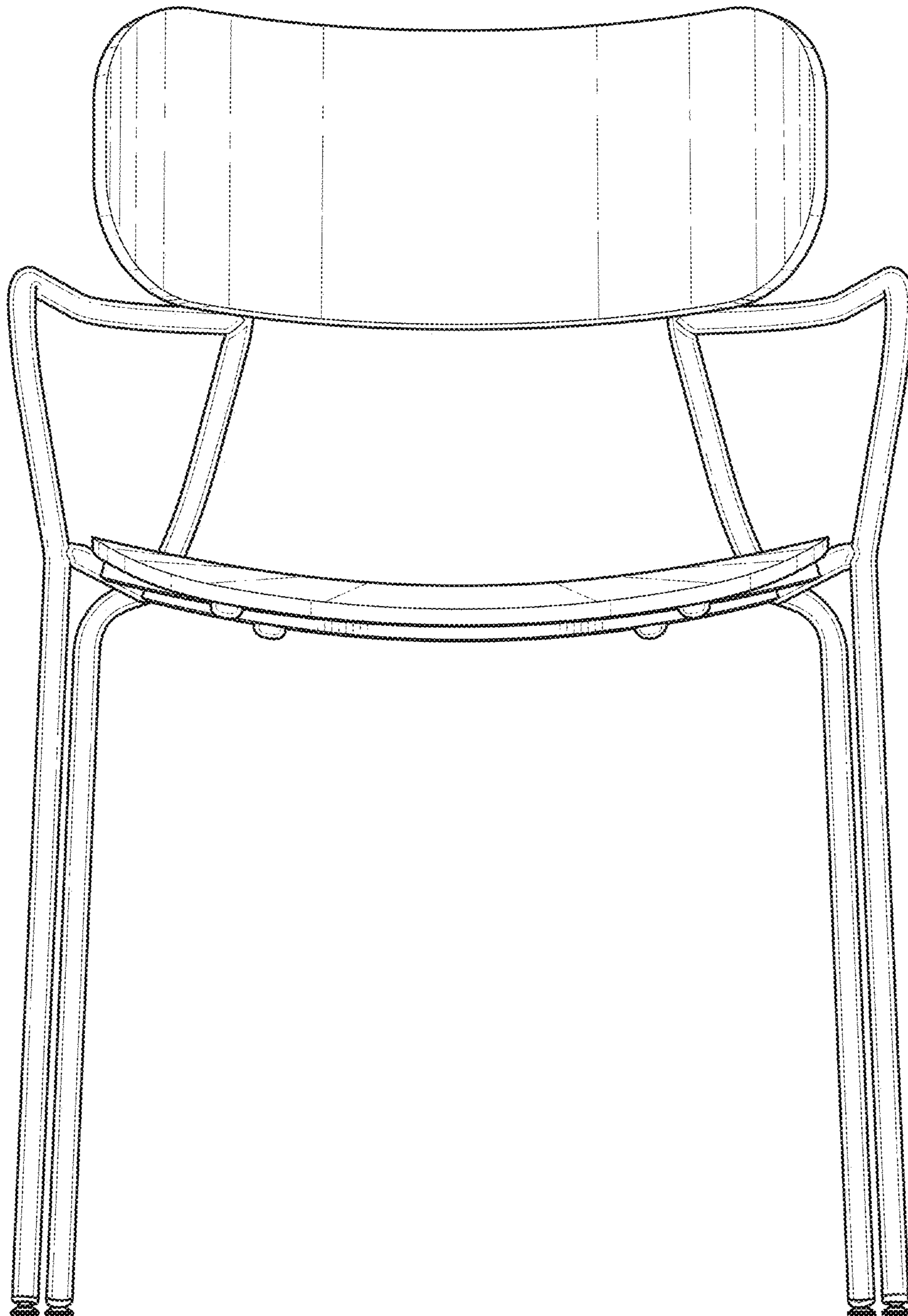


FIG. 2

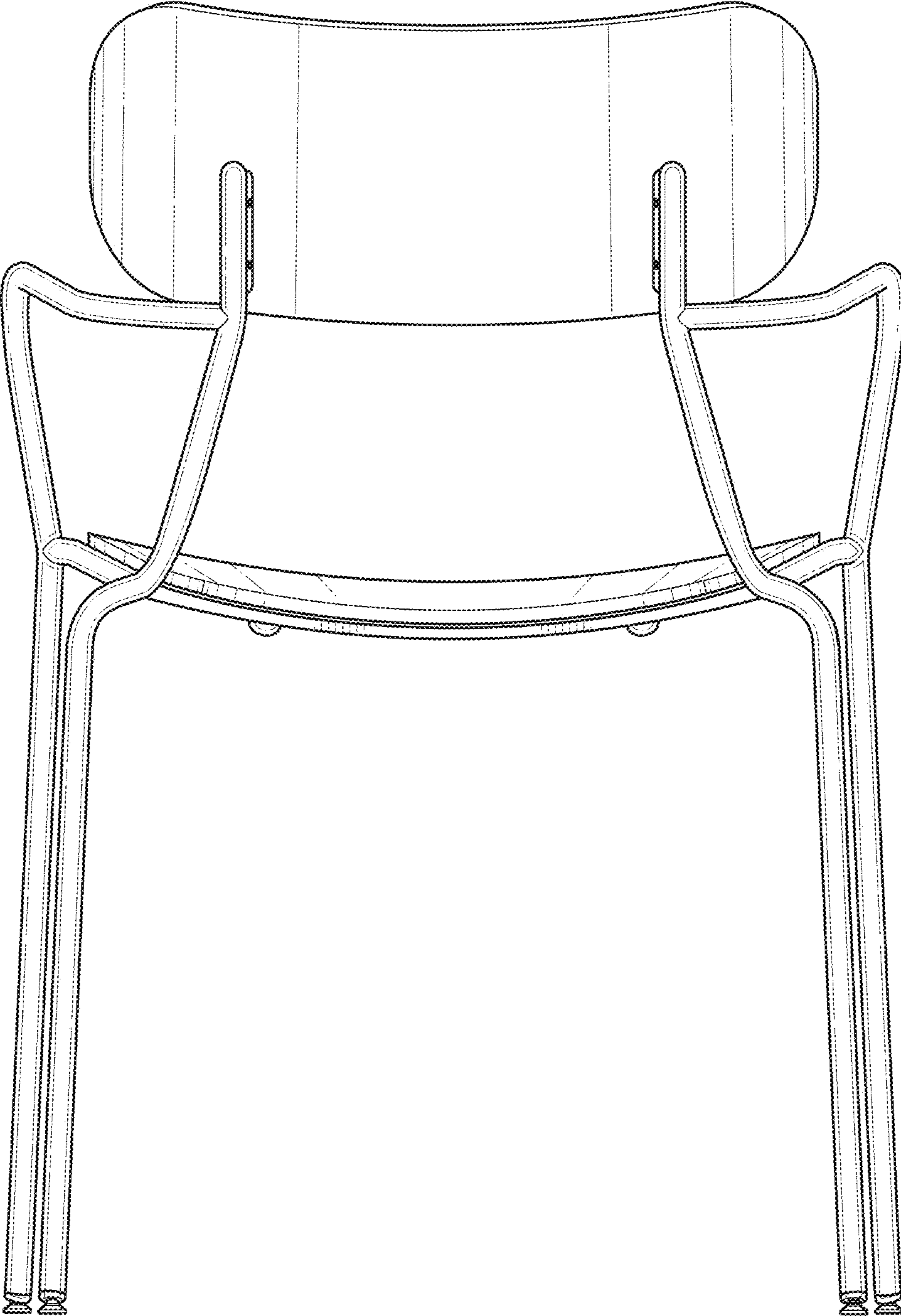


FIG. 3

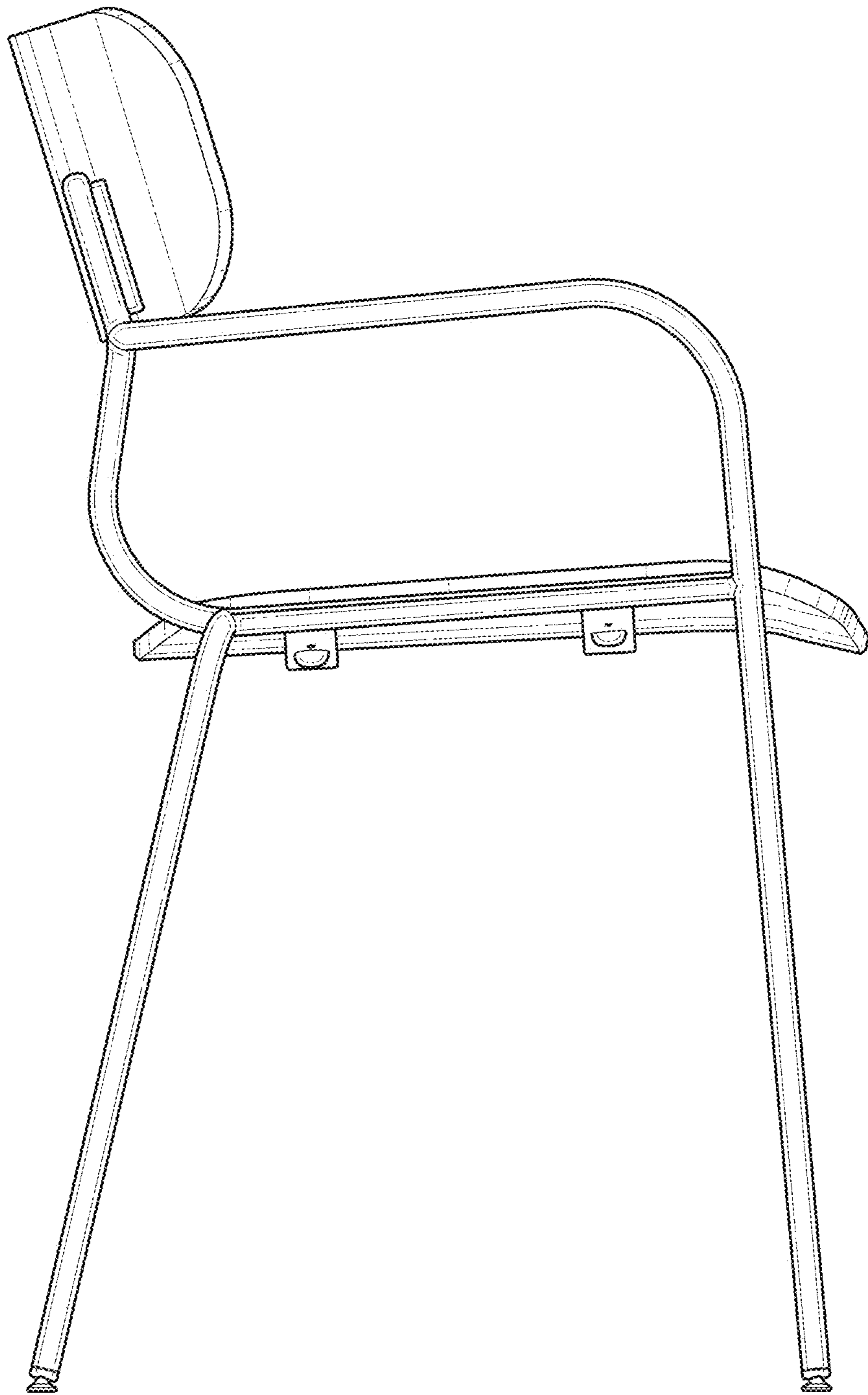


FIG. 4

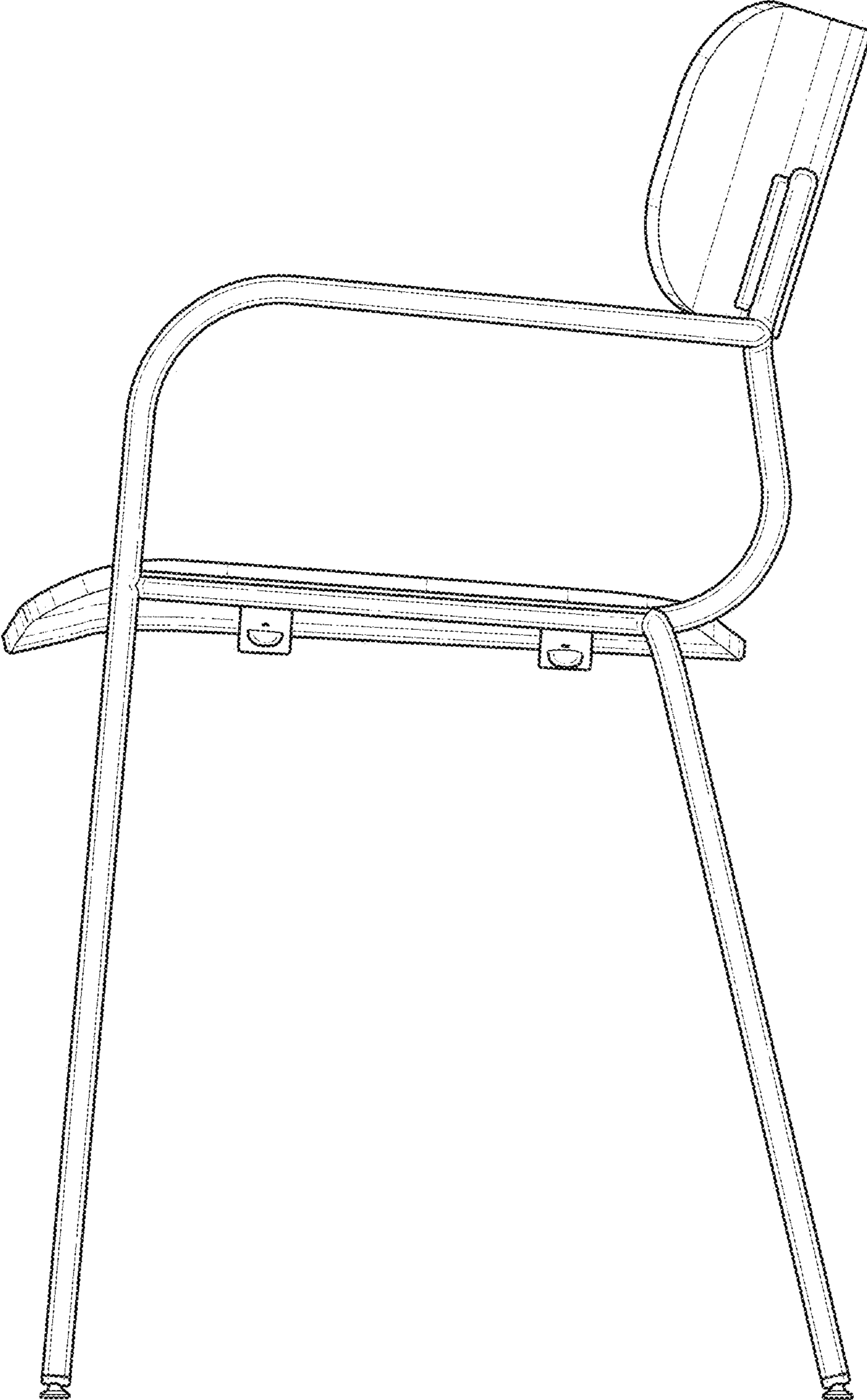


FIG. 5

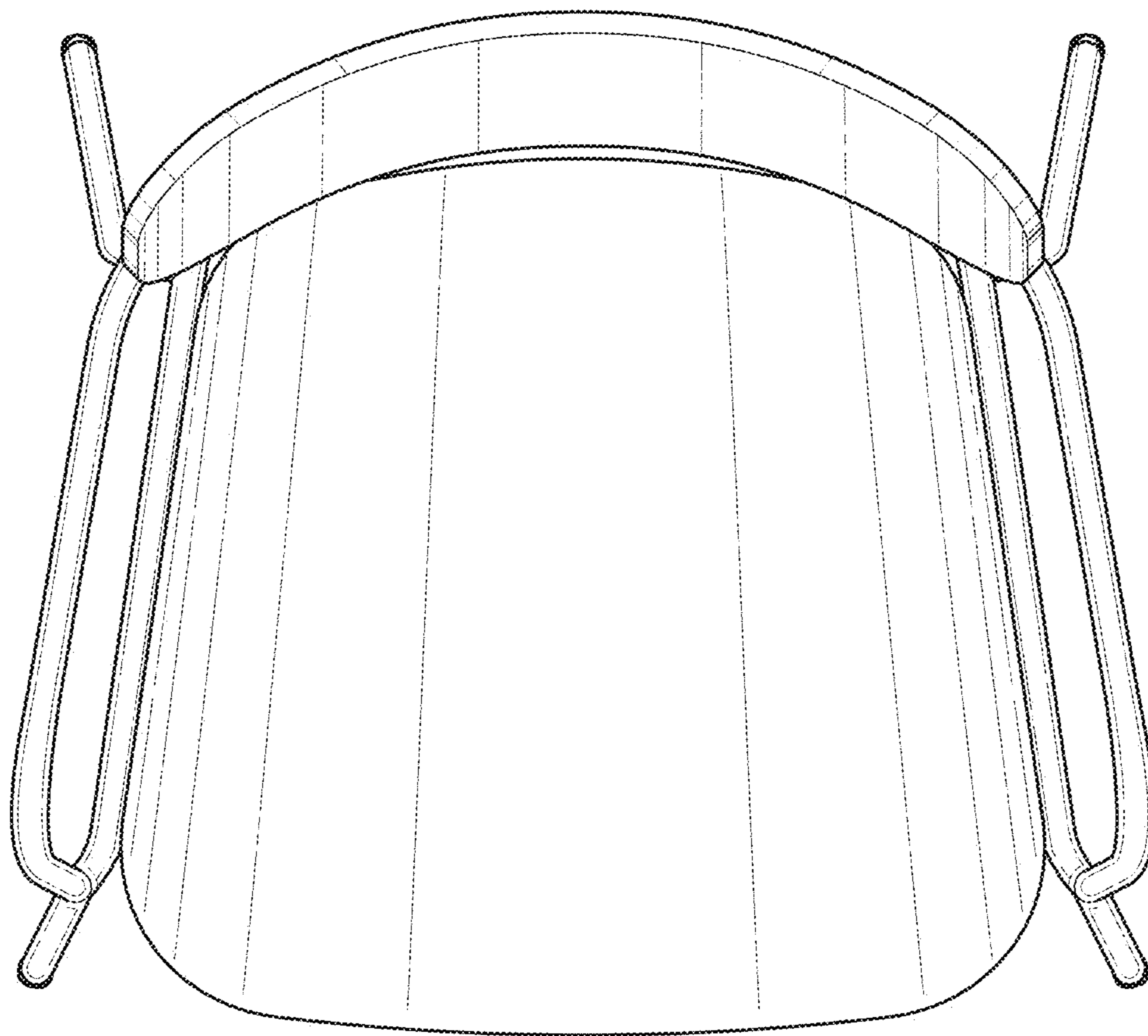


FIG. 6

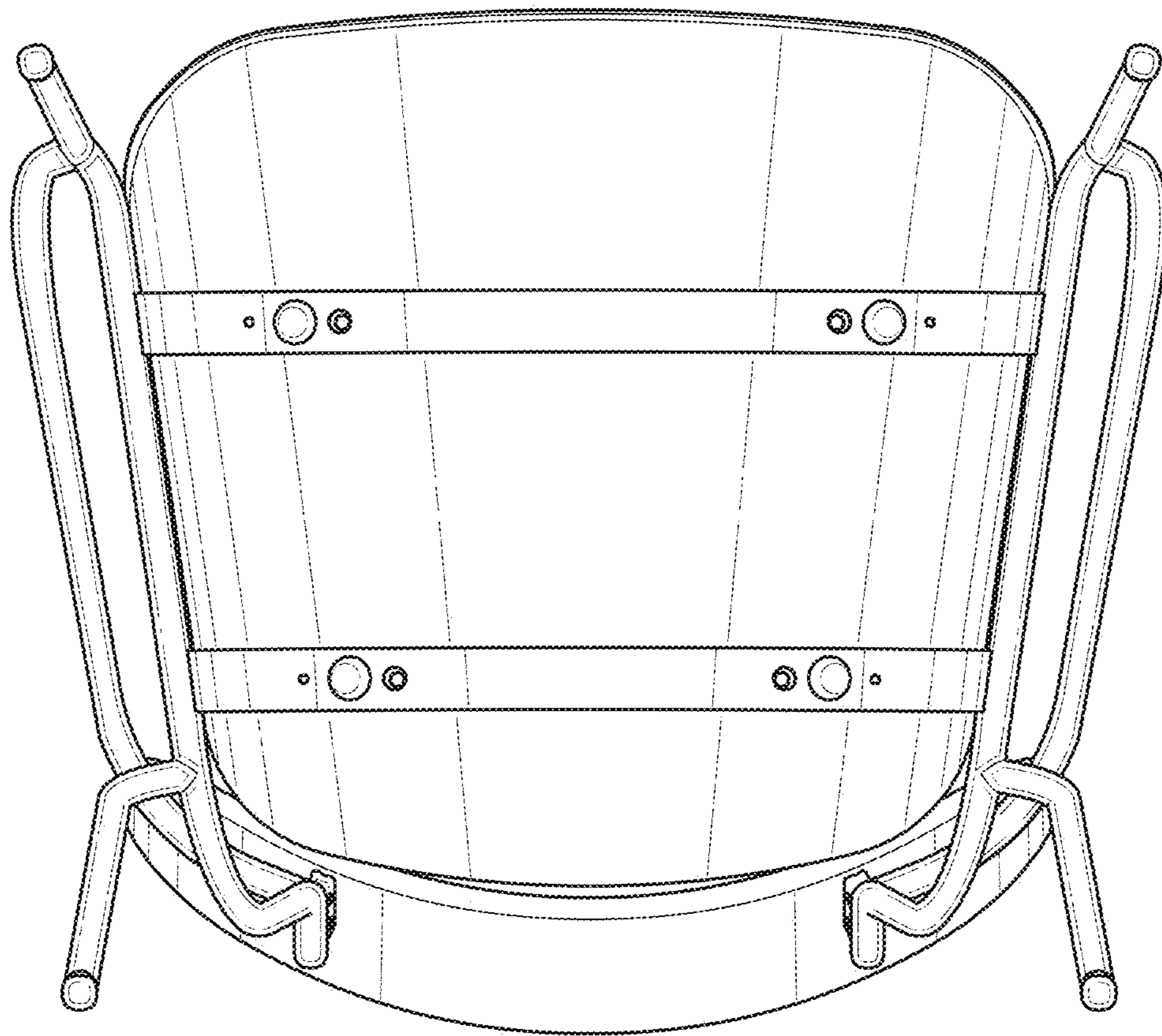


FIG. 7