



US00D898399S

(12) **United States Design Patent** (10) **Patent No.:** **US D898,399 S**
James (45) **Date of Patent:** **** Oct. 13, 2020**

(54) **CHAIR**

FOREIGN PATENT DOCUMENTS

(71) Applicant: **Grand Rapids Chair Company**, Grand Rapids, MI (US)

CN 3550037 * 10/2005
CN 303821529 * 5/2016

(Continued)

(72) Inventor: **Paul James**, Edina, MN (US)

OTHER PUBLICATIONS

(73) Assignee: **Grand Rapids Chair Company**, Byron Center, MI (US)

GR Chair,Hula Outdoor Chair, [online]retrieved May 4, 2020, available from intrenet , <https://grandrapidschair.com/product/hula-outdoor-chair/?spec-sheet=1> (Year: 2020).*

(**) Term: **15 Years**

(Continued)

(21) Appl. No.: **29/681,048**

Primary Examiner — Keli L Hill

Assistant Examiner — Sara S Sahneh

(22) Filed: **Feb. 22, 2019**

(74) *Attorney, Agent, or Firm* — Gardner, Linn, Burkhardt & Ondersma LLP

(51) **LOC (12) Cl.** **06-01**

(52) **U.S. Cl.**
USPC **D6/376; D6/380**

(58) **Field of Classification Search**
USPC D6/373, 374, 375, 716, 369, 716.4, 360, D6/380, 348, 334, 361, 364, 377, 677, D6/341, 349, 350, 352, 353, 379, 381, D6/370, 717, 358, 708.16, 336, 357, 362, D6/363, 365, 366, 371; 297/217.1, 440.1, 297/440.21, 452.14
CPC .. A47C 11/00; A47C 4/02; A47C 4/03; A47C 4/08; A47C 4/024; A47C 4/025; A47C 4/028; A47C 5/04; A47C 7/16; A47C 5/12; A47C 7/36; A47C 7/40; A47C 9/007;

(Continued)

(57) **CLAIM**

The ornamental design for a chair, substantially as shown and described.

DESCRIPTION

FIG. 1 is a perspective view of a chair according to a first embodiment of the present invention; FIG. 2 is a front elevation view of the chair in FIG. 1; FIG. 3 is a right-side elevation view of the chair in FIG. 1; FIG. 4 is a rear elevation view of the chair in FIG. 1; FIG. 5 is a left-side elevation view of the chair in FIG. 1; FIG. 6 is a top plan view of the chair in FIG. 1; FIG. 7 is a bottom plan view of the chair in FIG. 1; FIG. 8 is a perspective view of a chair according to a second embodiment of the present invention; FIG. 9 is a front elevation view of the chair in FIG. 8; FIG. 10 is a right-side elevation view of the chair in FIG. 8; FIG. 11 is a rear elevation view of the chair in FIG. 8; FIG. 12 is a left-side elevation view of the chair in FIG. 8; FIG. 13 is a top plan view of the chair in FIG. 8; and, FIG. 14 is a bottom plan view of the chair in FIG. 8. The broken lines shown in the drawings depict portions of the chair that form no part of the claimed design.

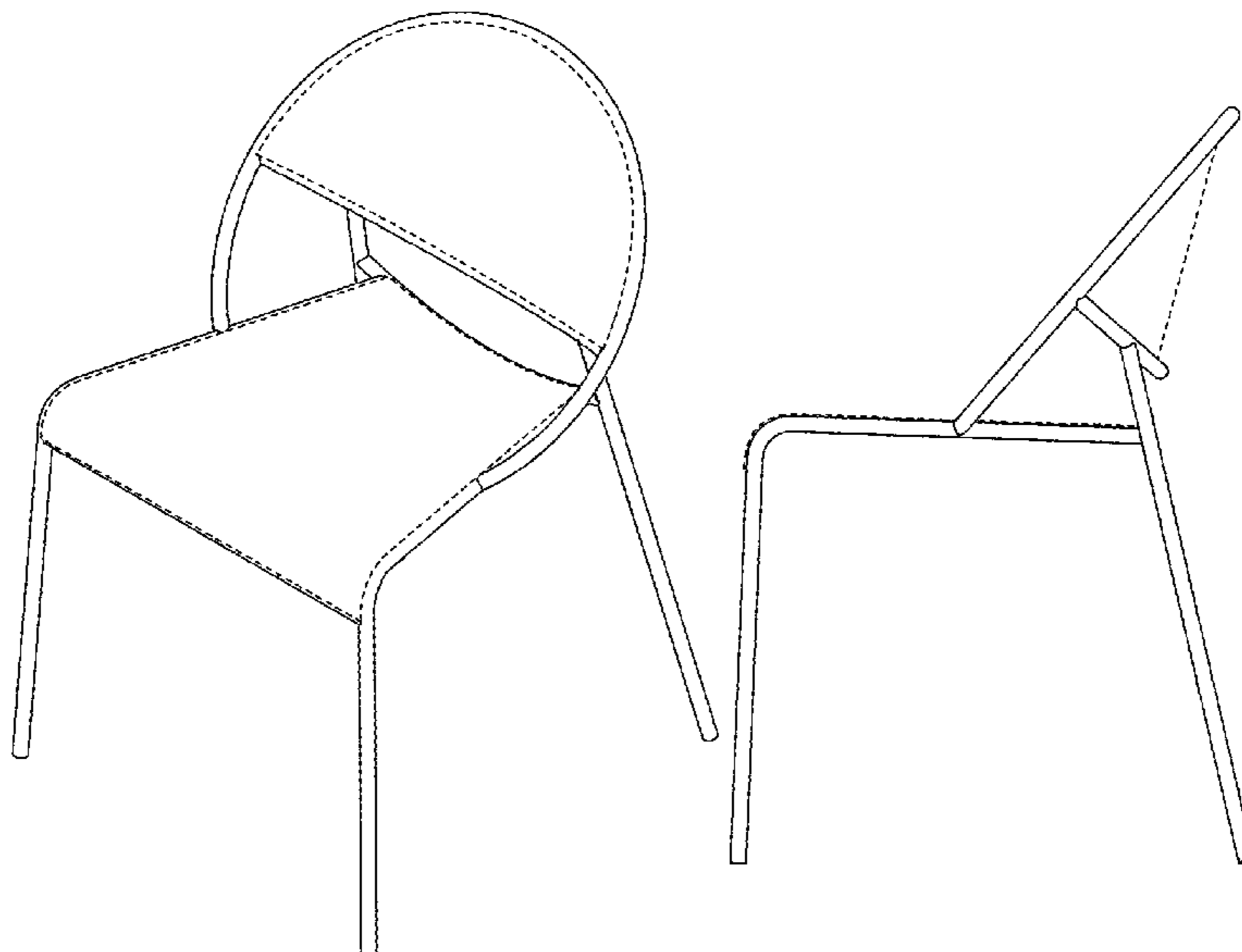
(56) **References Cited**

U.S. PATENT DOCUMENTS

749,709 A 1/1904 Stockwell
D102,030 S 11/1936 Hoffmann

(Continued)

1 Claim, 8 Drawing Sheets



(58) **Field of Classification Search**
 CPC A47C 13/023; A47C 5/08; A47C 17/175;
 A47C 13/005; A47C 11/005
 See application file for complete search history.

(56) **References Cited**

U.S. PATENT DOCUMENTS

D103,408 S	3/1937	Reischmann	
D168,212 S *	11/1952	Cicchelli	D6/379
D174,623 S *	5/1955	Helland	D6/334
D177,980 S *	6/1956	Jakobsen	D6/379
D191,305 S *	9/1961	Grosskopf	D6/370
D192,800 S *	5/1962	Munson	D6/374
D193,657 S	9/1962	Van Buren	
D197,643 S	3/1964	Kramer	
D202,549 S	10/1965	Kramer	
D202,550 S	10/1965	Kramer	
D223,244 S	4/1972	Prashker	
D239,988 S	5/1976	Dittert	
D240,780 S	8/1976	Dittert	
4,032,190 A	6/1977	Mueller-Deisig et al.	
D255,183 S	6/1980	Locher	
D255,293 S	6/1980	Locher	
D259,078 S	5/1981	Deconinck	
D268,799 S	5/1983	Feldberg	
D272,393 S	1/1984	Klier	
D279,155 S	6/1985	Aronowitz et al.	
D307,221 S	4/1990	Mudge	
D339,940 S	10/1993	Balderi et al.	
D346,911 S	5/1994	Lucci et al.	
D349,196 S *	8/1994	Lohmeyer	D6/379
D357,592 S	4/1995	Kellen	
D372,132 S	7/1996	Infanti	
D375,848 S	11/1996	Grosfillex	
D381,828 S	8/1997	Kemnitzer	
D385,119 S	10/1997	Chipman	
D396,759 S	8/1998	Duenkelsbuehler	
D422,806 S	4/2000	Neil	
D423,807 S *	5/2000	Bartlmae	D6/379
D512,236 S	12/2005	Preisig	
D512,238 S	12/2005	Chen	
D513,889 S	1/2006	Peterson et al.	
D524,071 S	7/2006	Brooks	
7,118,175 B2	10/2006	Crue	
D531,420 S	11/2006	Kita	
D535,134 S *	1/2007	Muller	D6/360
D544,228 S	6/2007	Bartlmae	
D559,570 S	1/2008	Higgs et al.	
D566,979 S	4/2008	Cox et al.	
D572,049 S	7/2008	Kerr	
D572,928 S	7/2008	Rittfeldt et al.	

D582,692 S	12/2008	Kerr	
D588,826 S	3/2009	Ricchio	
D597,757 S	8/2009	Barbieri	
D597,758 S	8/2009	Barrett et al.	
D609,036 S	2/2010	Miller et al.	
D611,740 S	3/2010	Koh	
D643,652 S	8/2011	Piretti	
D644,849 S	9/2011	Sienkowski et al.	
D646,087 S	10/2011	Miller et al.	
D648,566 S	11/2011	Sienkowski et al.	
8,112,868 B2	2/2012	Miller	
D659,424 S	5/2012	Gramza et al.	
D659,444 S	5/2012	James	
D663,131 S	7/2012	Barefoot et al.	
D665,188 S	8/2012	Schweikarth	
D672,975 S	12/2012	Rashid	
D683,558 S	6/2013	Rada et al.	
D686,425 S *	7/2013	Behrens	D6/366
D686,836 S	7/2013	Mascetti et al.	
D701,719 S	4/2014	Haase et al.	
D707,461 S	6/2014	Rada et al.	
D723,826 S	3/2015	Kaloustian et al.	
D726,434 S	4/2015	Ye	
D737,618 S	9/2015	Kaloustian et al.	
D741,618 S	10/2015	Haase et al.	
D747,611 S	1/2016	Haase et al.	
9,301,612 B2	4/2016	Kaloustian et al.	
D779,219 S	2/2017	Miller	
D784,036 S	4/2017	Ruiter et al.	
D798,075 S	9/2017	Foley	
D799,848 S	10/2017	Morrison	
D817,015 S	5/2018	Jeffery et al.	
D830,714 S	10/2018	Ruiter et al.	
2009/0212607 A1	8/2009	Kaloustian et al.	
2011/0278889 A1	11/2011	Sienkowski et al.	
2014/0361593 A1	12/2014	Kaloustian et al.	

FOREIGN PATENT DOCUMENTS

CN	304632980	*	2/2018
CN	304823895	*	4/2018
EM	000967294-0020	*	6/2008

OTHER PUBLICATIONS

Haldane Martin, Hula Chair, Date first available, Nov. 23, 2018, [online]retrieved May 4, 2020, available from internet , <https://www.instagram.com/haldanemartin/> (Year: 2018).
 Commonly assigned U.S. Appl. No. 29/653,457, filed Jun. 15, 2018, entitled Chair.

* cited by examiner

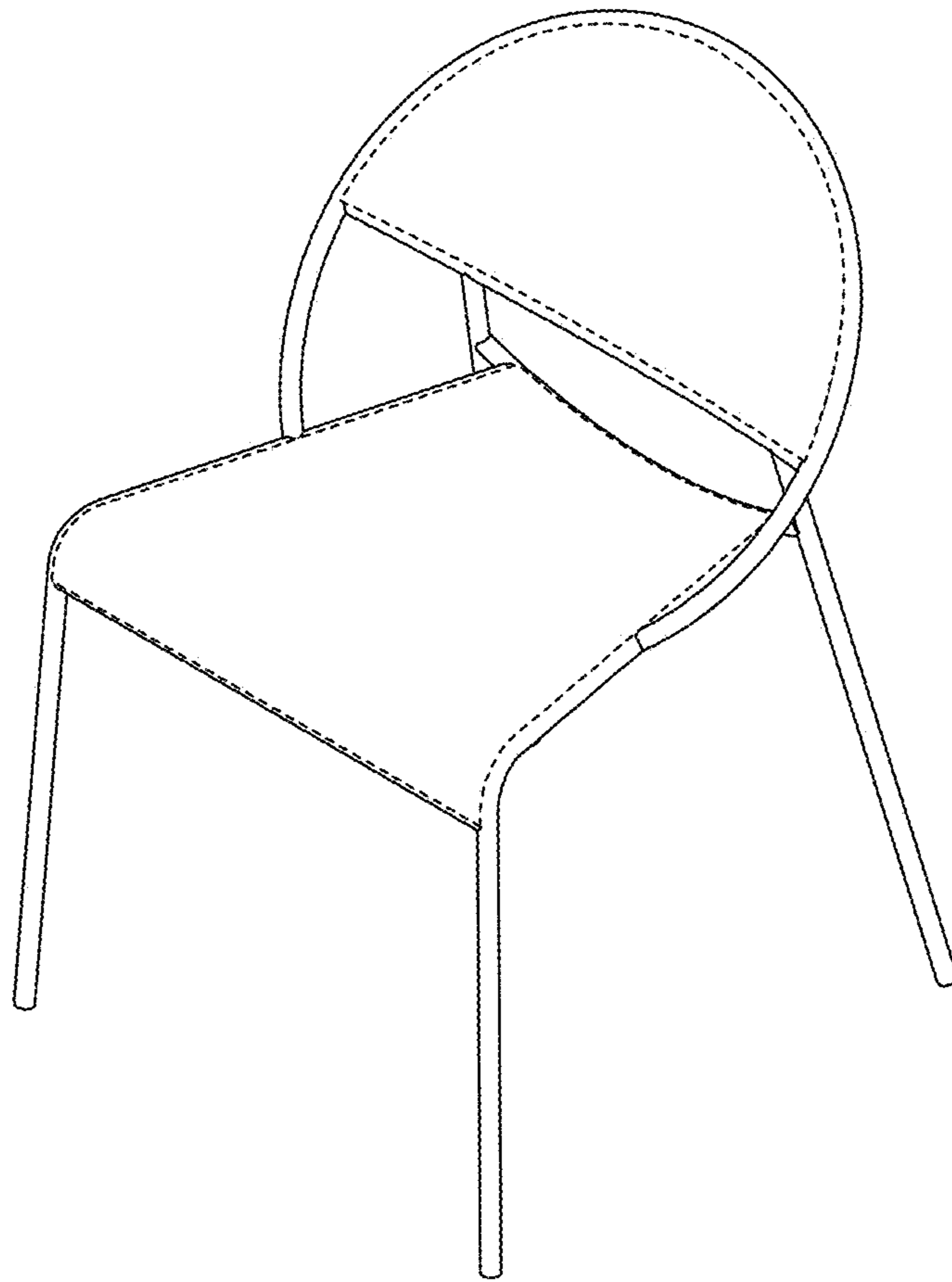


FIG. 1

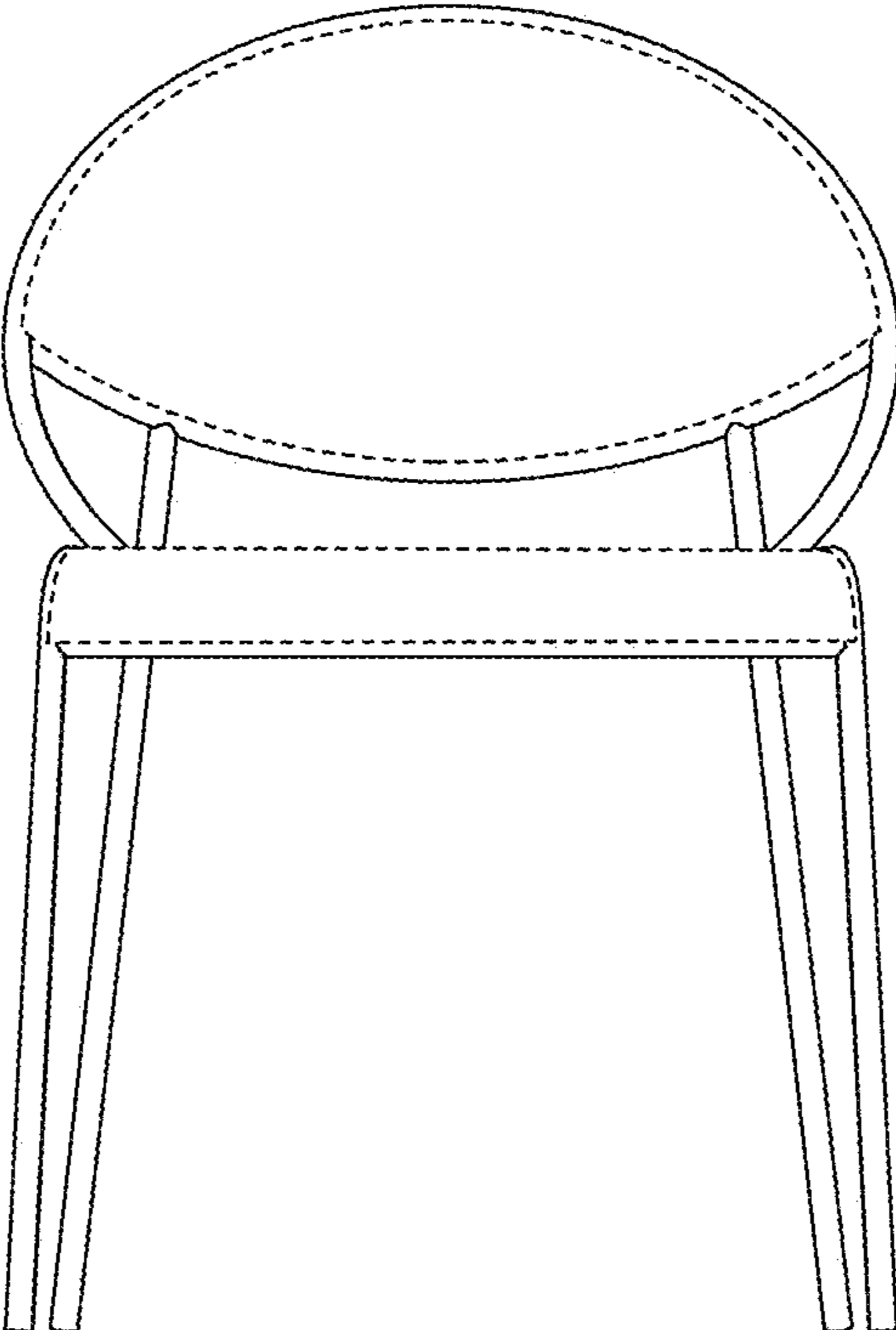


FIG. 2

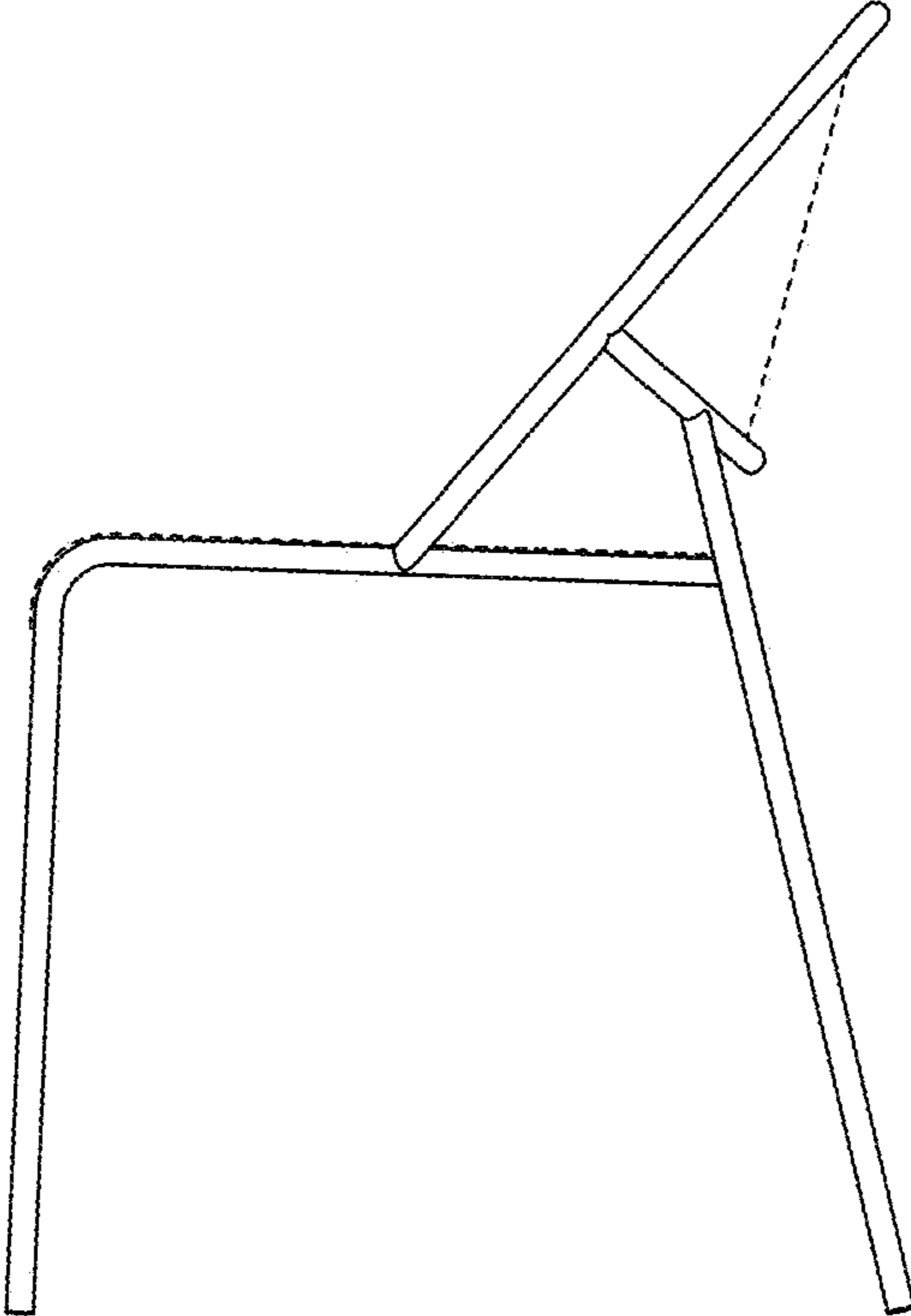


FIG. 3

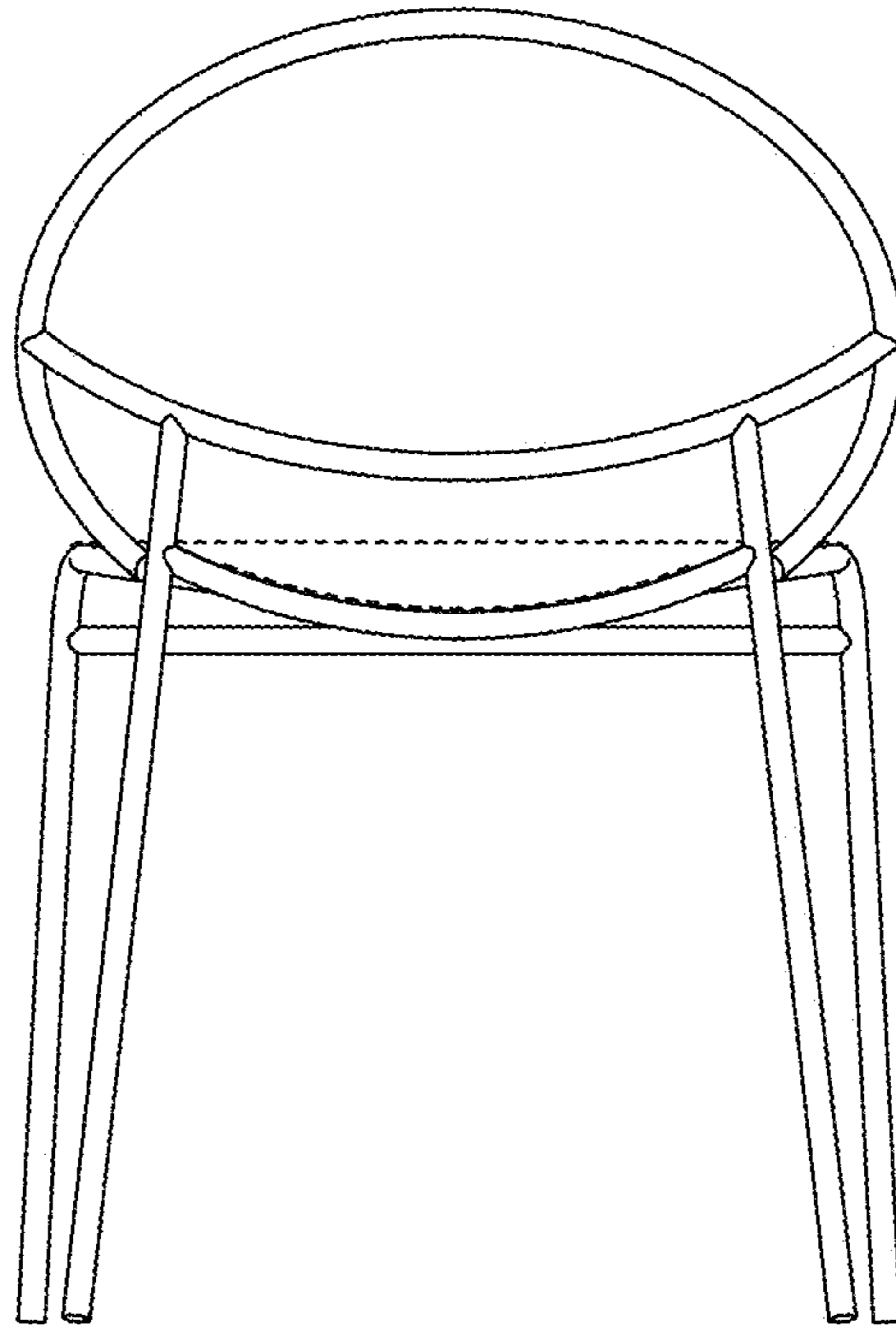


FIG. 4

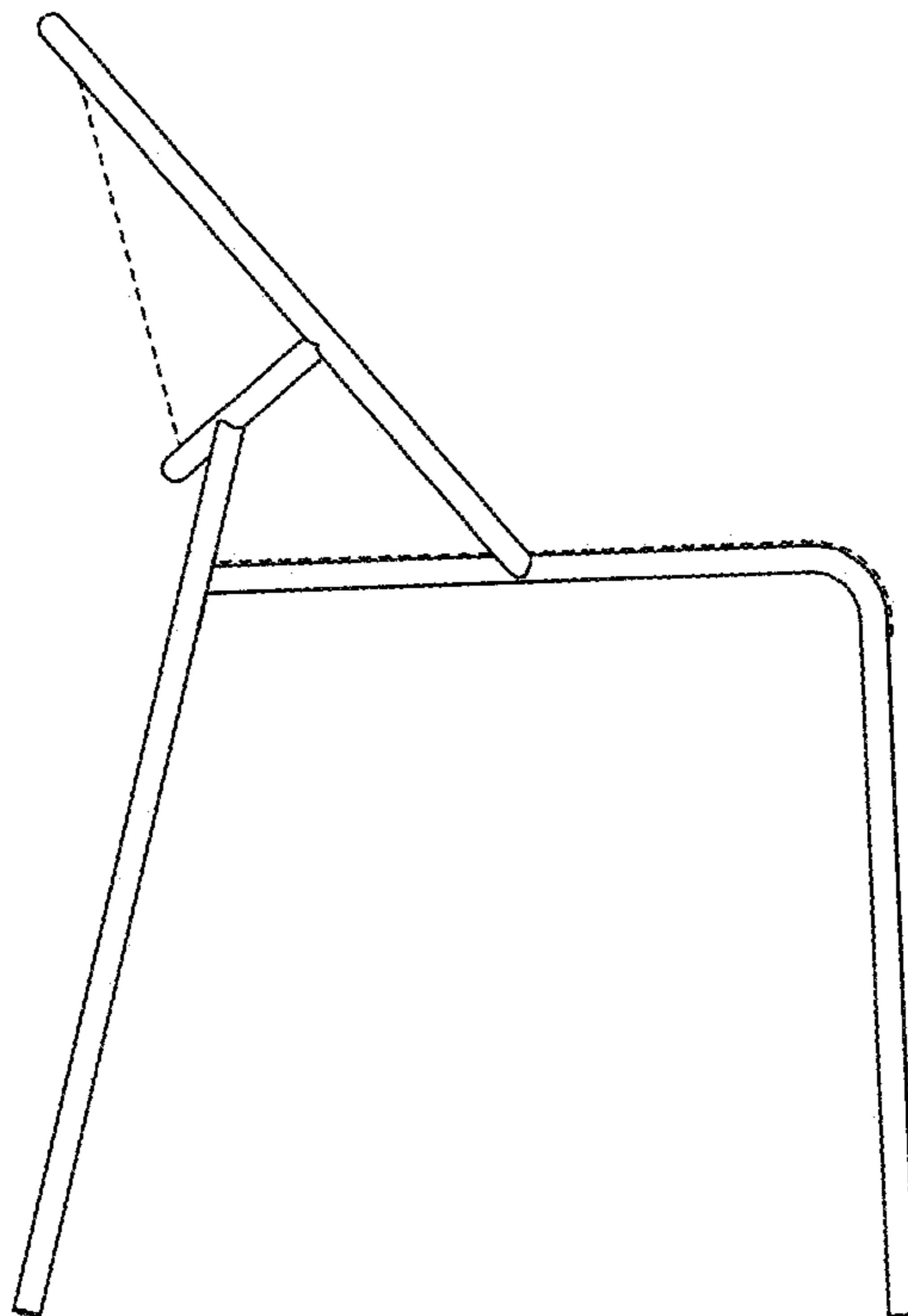


FIG. 5

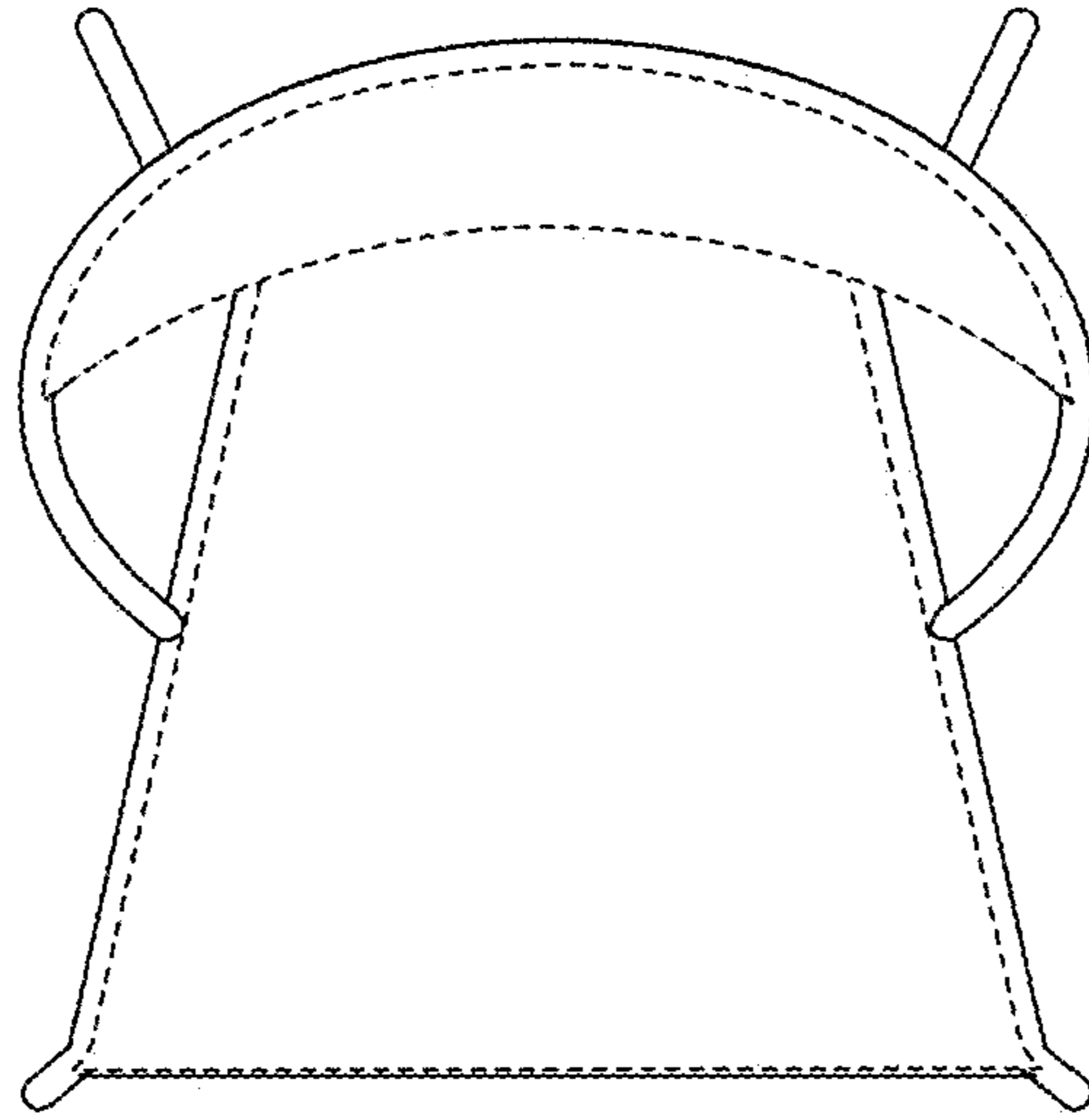


FIG. 6

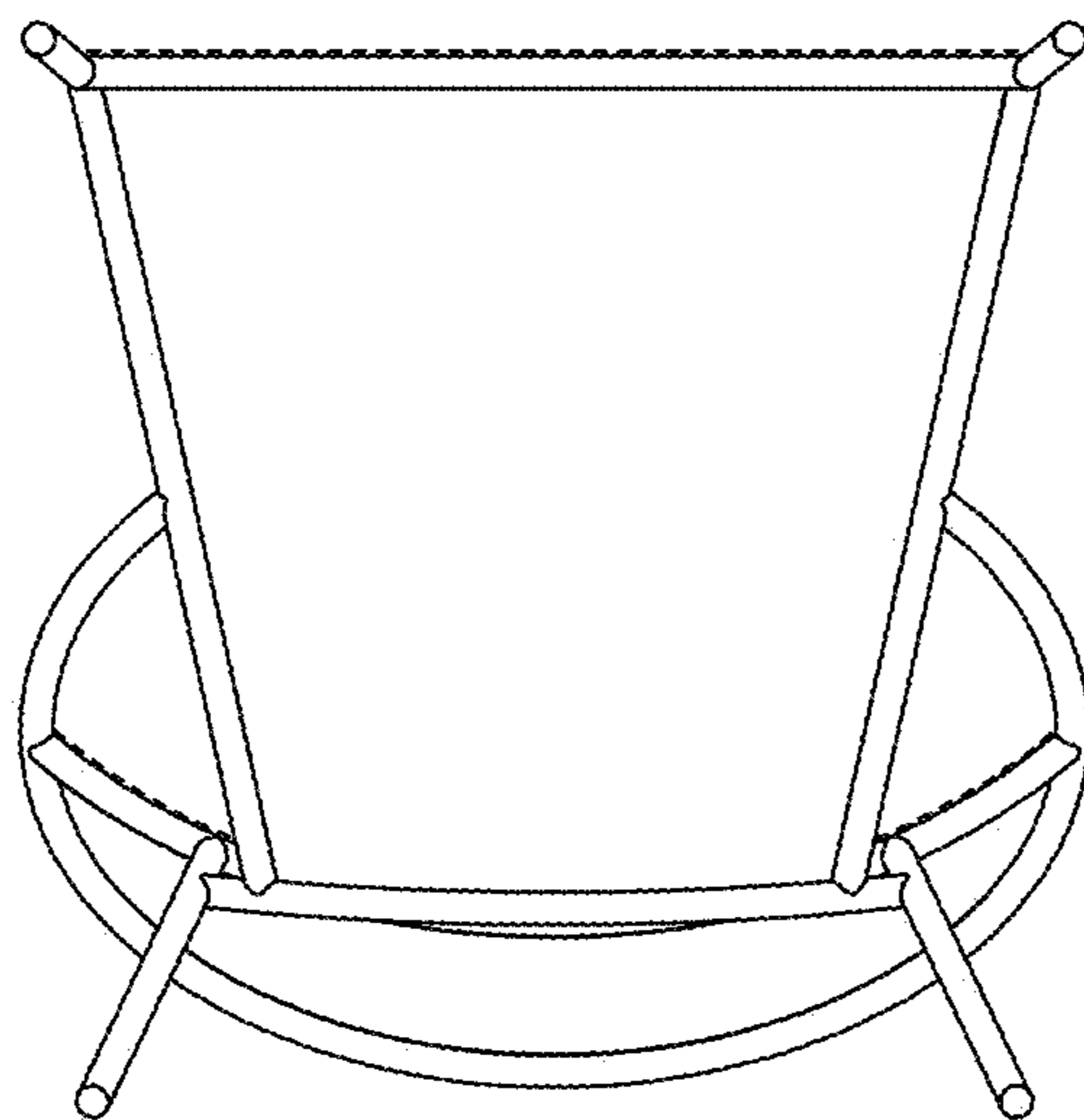


FIG. 7

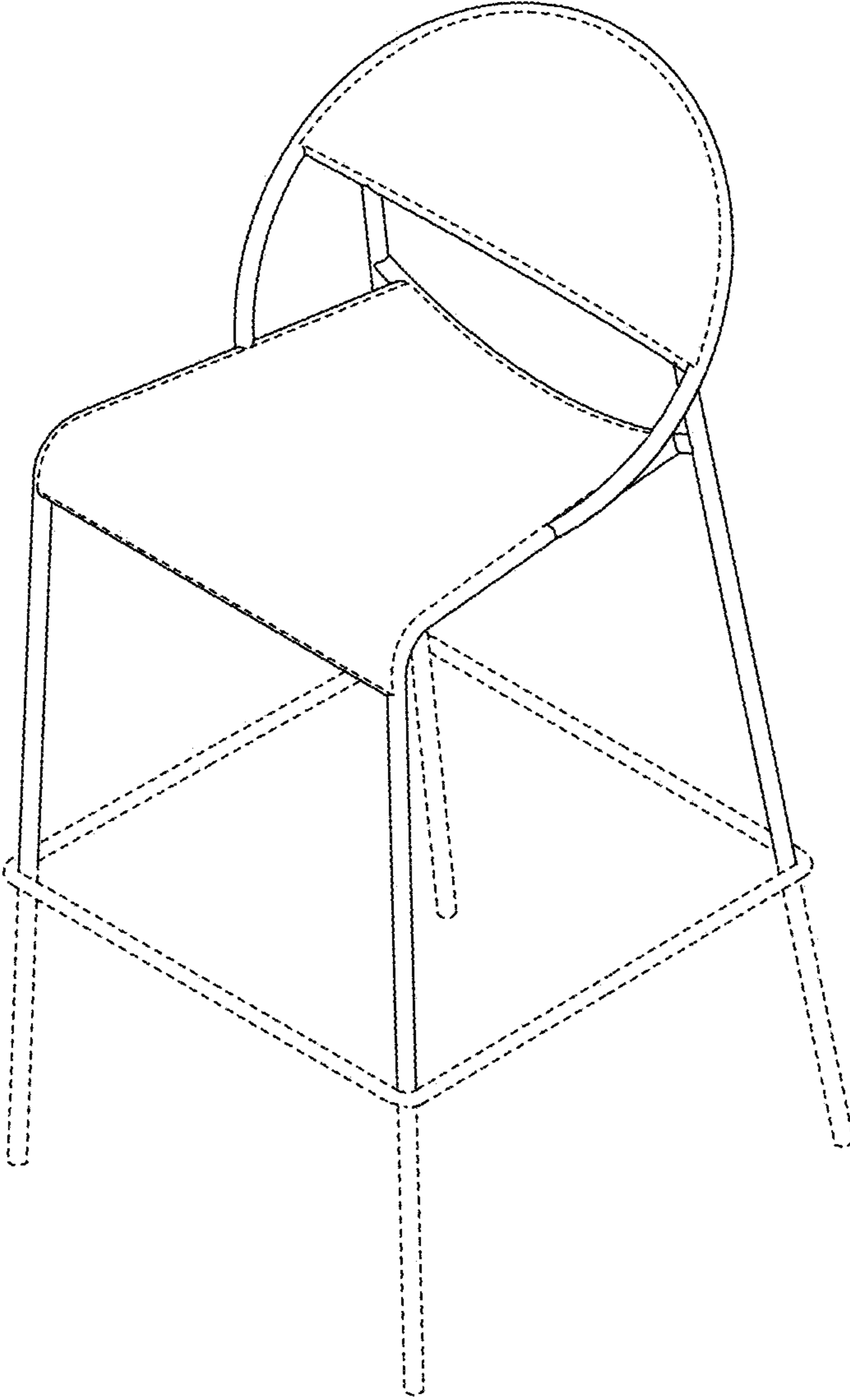


FIG. 8

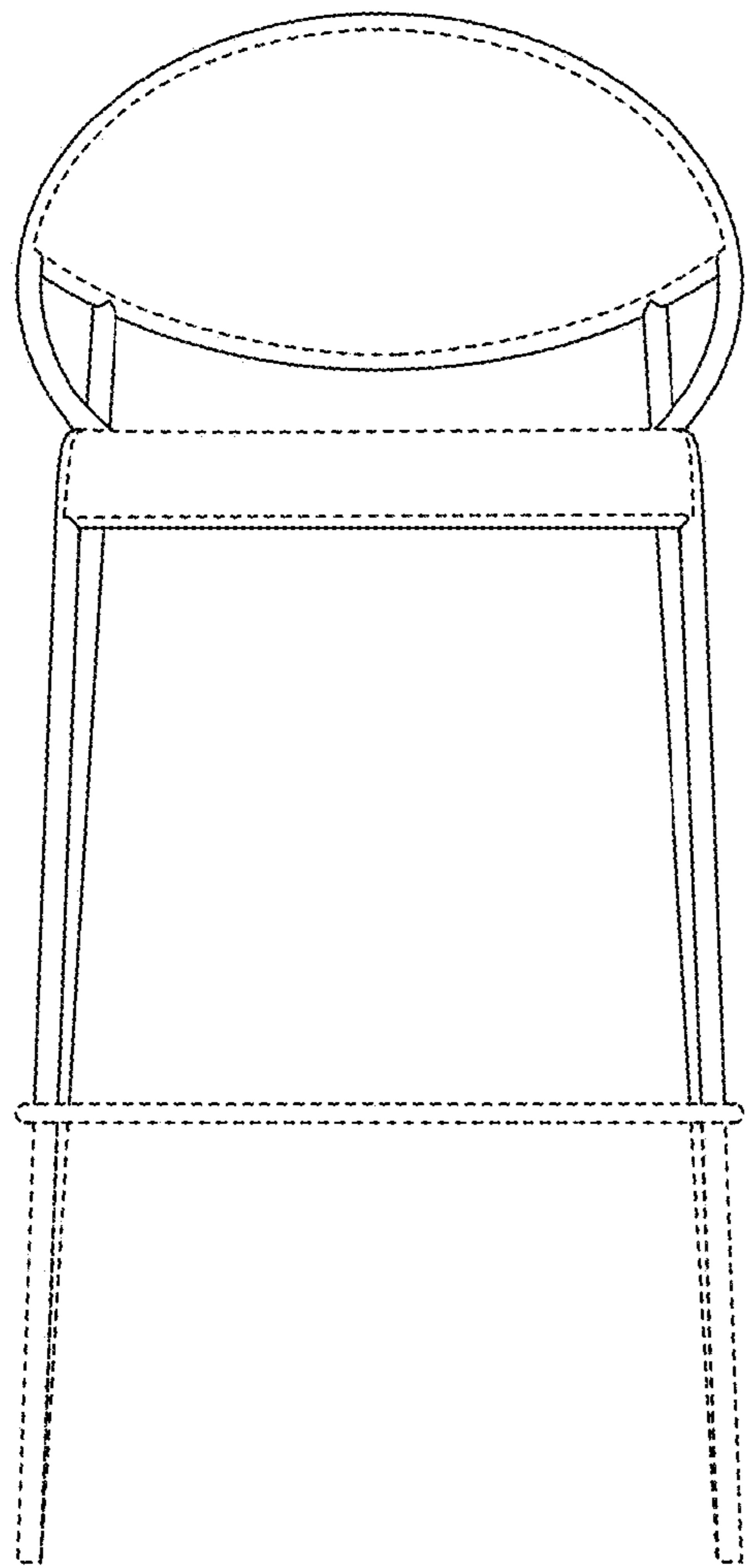


FIG. 9

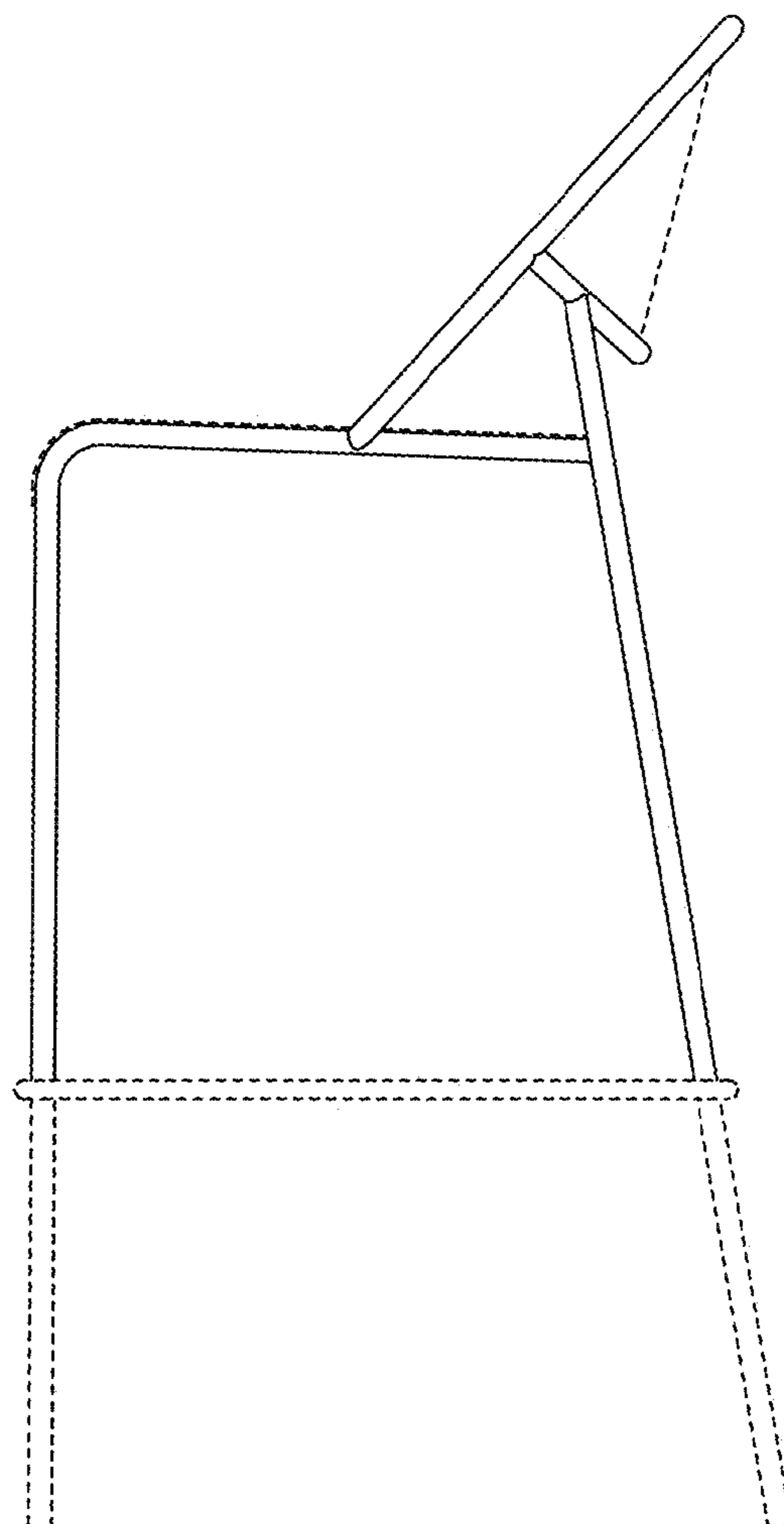


FIG. 10

FIG. 11

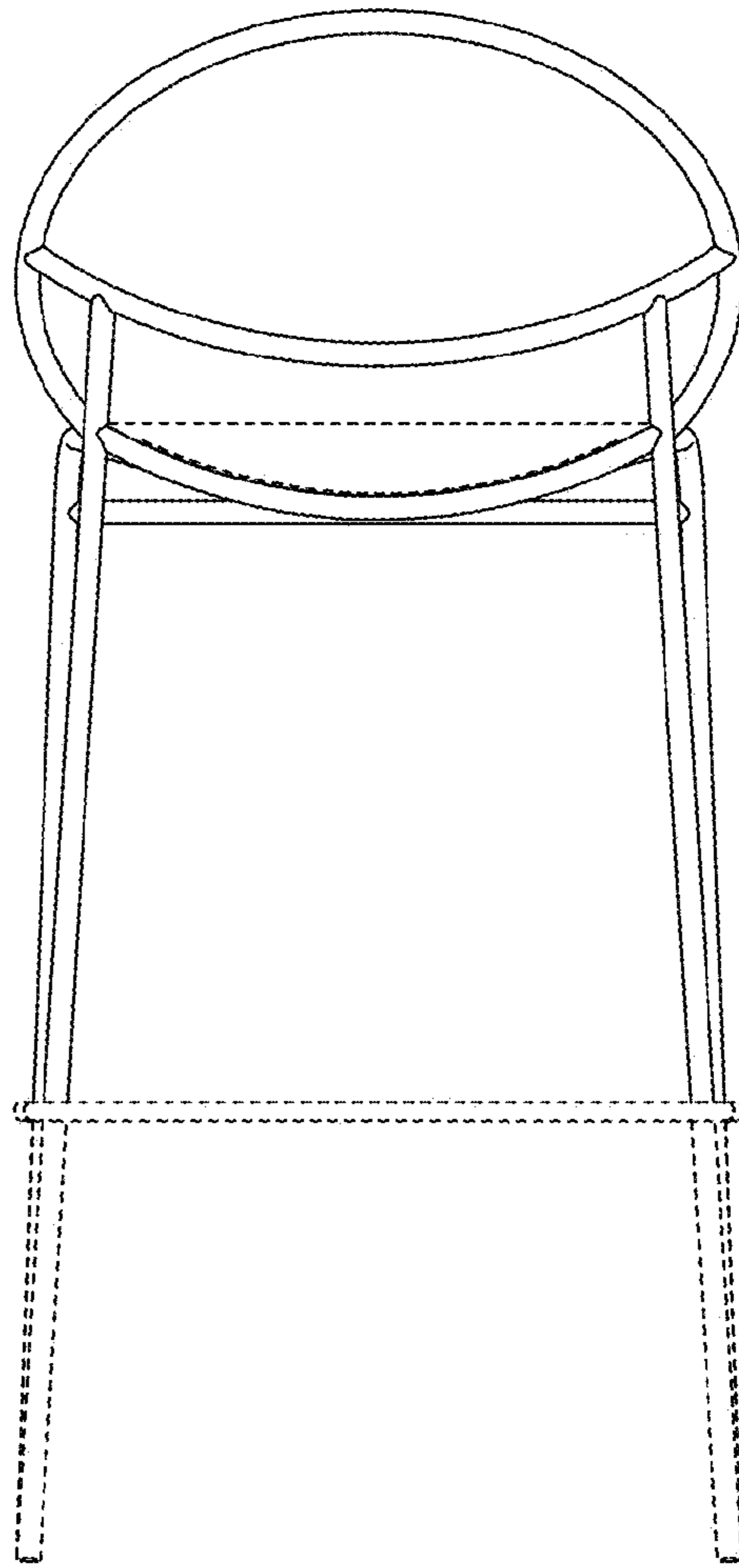
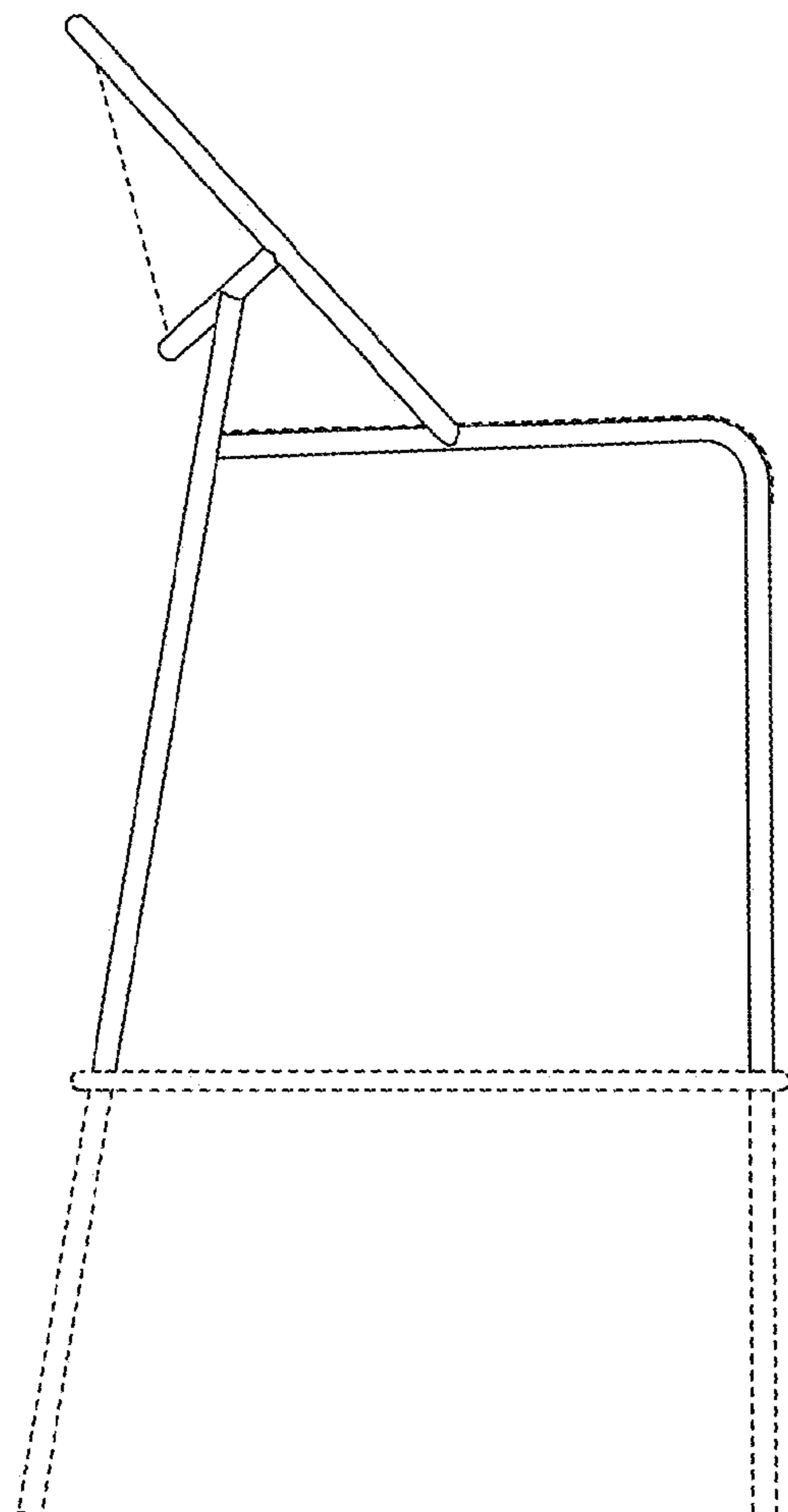


FIG. 12



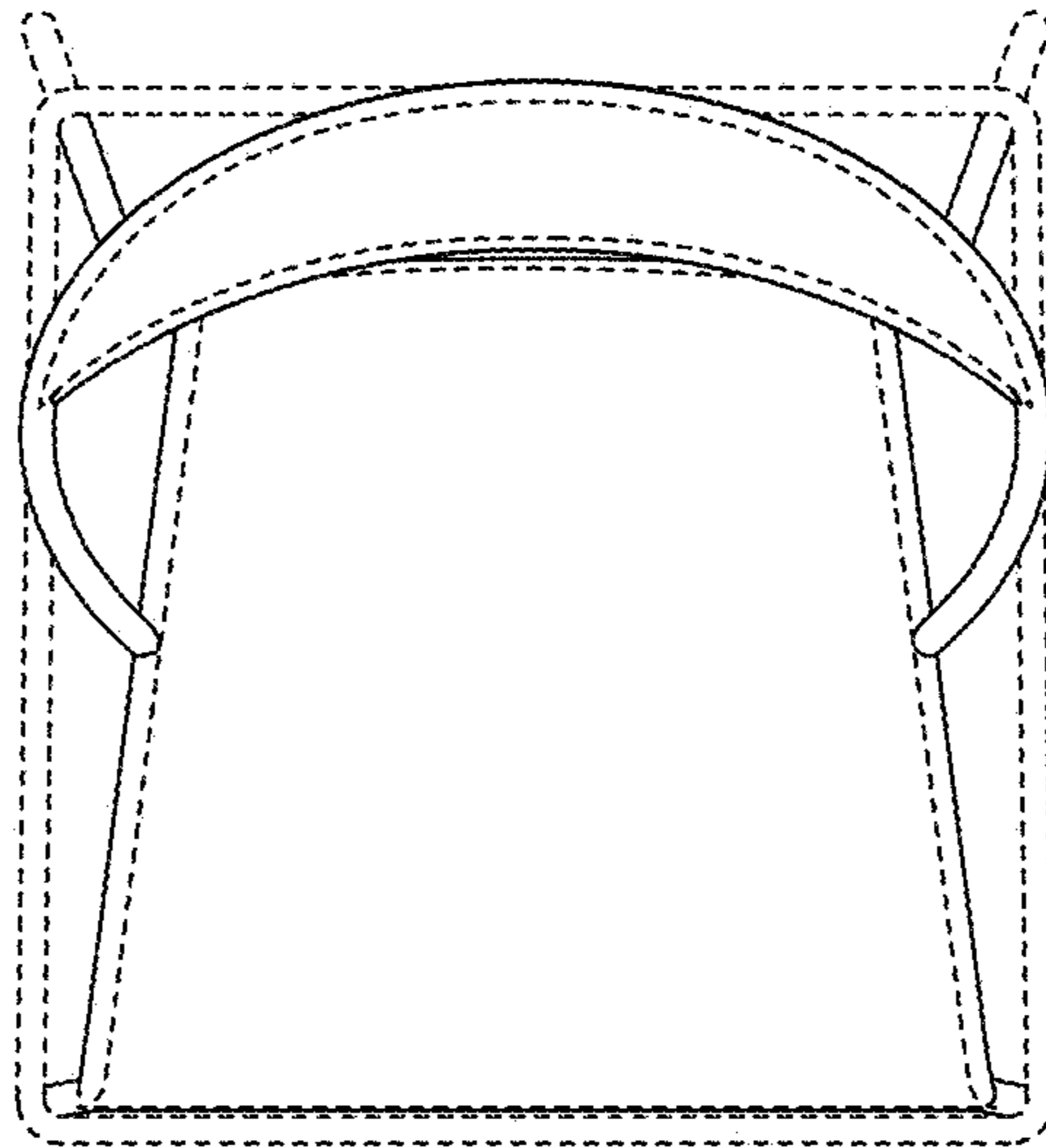


FIG. 13

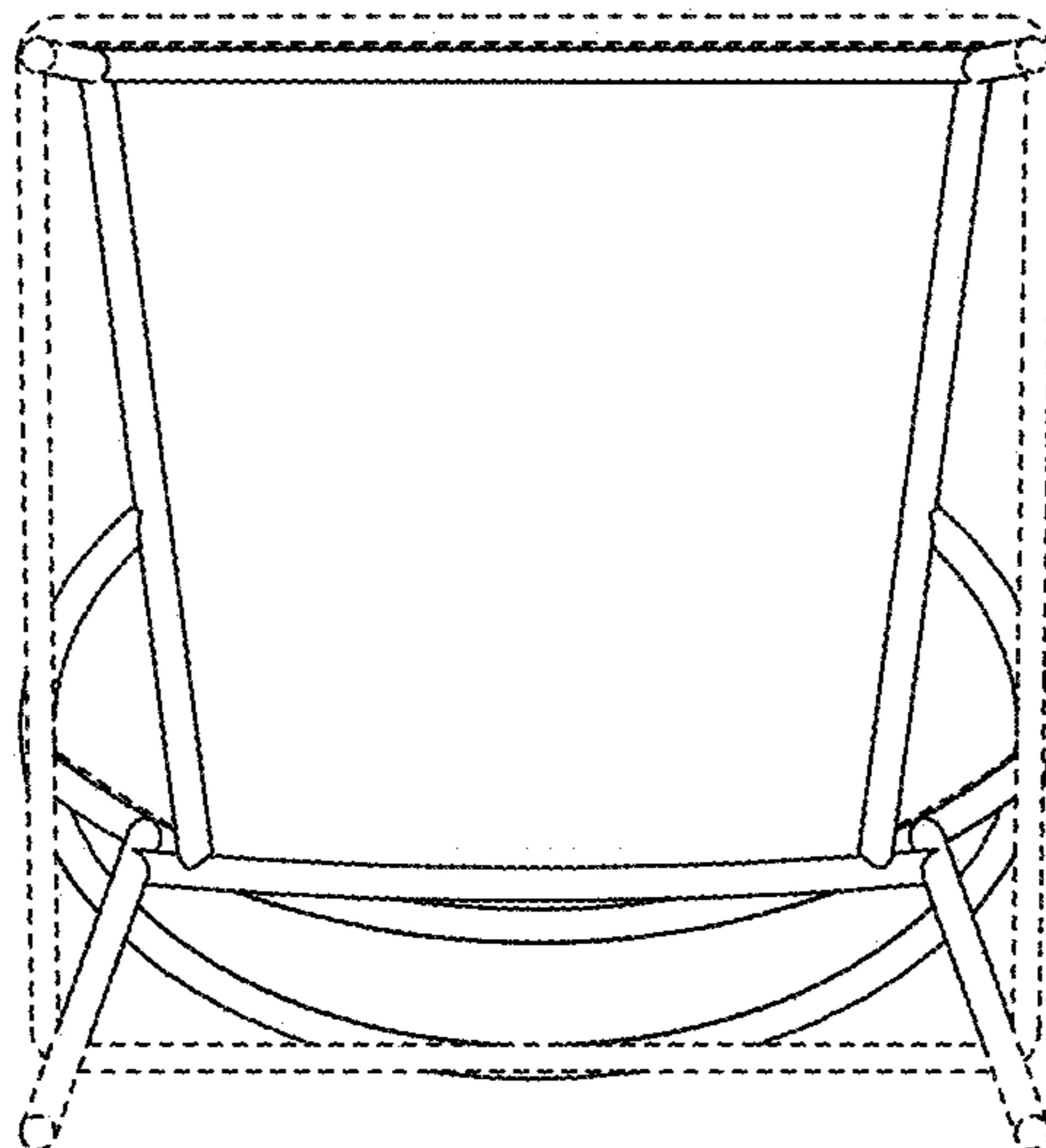


FIG. 14