



US00D898398S

(12) **United States Design Patent**  
**Rubio**

(10) **Patent No.:** **US D898,398 S**

(45) **Date of Patent:** **\*\* Oct. 13, 2020**

(54) **MESH DINING CHAIR**

(71) Applicant: **LK Design, Inc.**, Paradise Valley, AZ  
(US)

(72) Inventor: **Mario Ruiz Rubio**, Barcelona (ES)

(73) Assignee: **LK DESIGN, INC.**, Paradise Valley,  
AZ (US)

(\*\*) Term: **15 Years**

(21) Appl. No.: **29/682,470**

(22) Filed: **Mar. 5, 2019**

(51) **LOC (12) Cl.** ..... **06-01**

(52) **U.S. Cl.**  
USPC ..... **D6/371; D6/379; D6/375**

(58) **Field of Classification Search**  
USPC ..... D6/329, 334, 358-376, 353, 335-340,  
D6/352, 377-383, 392-395, 710-712,  
D6/716, 716.1, 716.2, 716.3; 297/440.1,  
297/440.21, 452.14

CPC .. A47C 11/00; A47C 4/02; A47C 4/03; A47C  
4/08; A47C 4/024; A47C 4/025; A47C  
4/028; A47C 5/04; A47C 7/16; A47C  
5/12; A47C 7/36; A47C 7/40; A47C  
9/007; A47C 13/023; A47C 5/08; A47C  
17/175; A47C 13/005; A47C 11/005

See application file for complete search history.

(56) **References Cited**

**U.S. PATENT DOCUMENTS**

D215,929 S \* 11/1969 Guillon ..... D6/334  
4,046,417 A \* 9/1977 Beckley ..... A47B 85/04  
297/16.1  
D438,398 S \* 3/2001 Frinier ..... D6/375  
D562,020 S \* 2/2008 Massaud ..... D6/373  
D606,329 S \* 12/2009 Van Duysen ..... D6/375  
D766,606 S \* 9/2016 Volpe ..... D6/373  
D799,231 S \* 10/2017 Baylar ..... D6/373

D804,214 S \* 12/2017 Bernardi ..... D6/375  
D805,316 S \* 12/2017 Lowsky ..... D6/379  
D818,283 S \* 5/2018 Jacoby ..... D6/375

(Continued)

**FOREIGN PATENT DOCUMENTS**

CN 303460860 \* 4/2015  
GB 3018820 \* 9/2004

(Continued)

**OTHER PUBLICATIONS**

One King Lane, Coast Outdoor Armchair, Ivory, [online]retrieved  
May 1, 2020, available from internet, <https://www.onekinglane.com/p/4758591-coast-outdoor-armchair-ivory.do?refType=&from=fn&catnav=125779> (Year: 2020).\*

(Continued)

*Primary Examiner* — Keli L Hill

*Assistant Examiner* — Sara S Sahneh

(74) *Attorney, Agent, or Firm* — Lewis Roca Rothgerber  
Christie LLP

(57) **CLAIM**

The ornamental design for a mesh dining chair, as shown  
and described.

**DESCRIPTION**

FIG. 1 is a front and perspective view of a mesh dining chair  
showing my new design;

FIG. 2 is a back and perspective view thereof;

FIG. 3 is a front side view thereof;

FIG. 4 is a back side view thereof;

FIG. 5 is a right side view thereof;

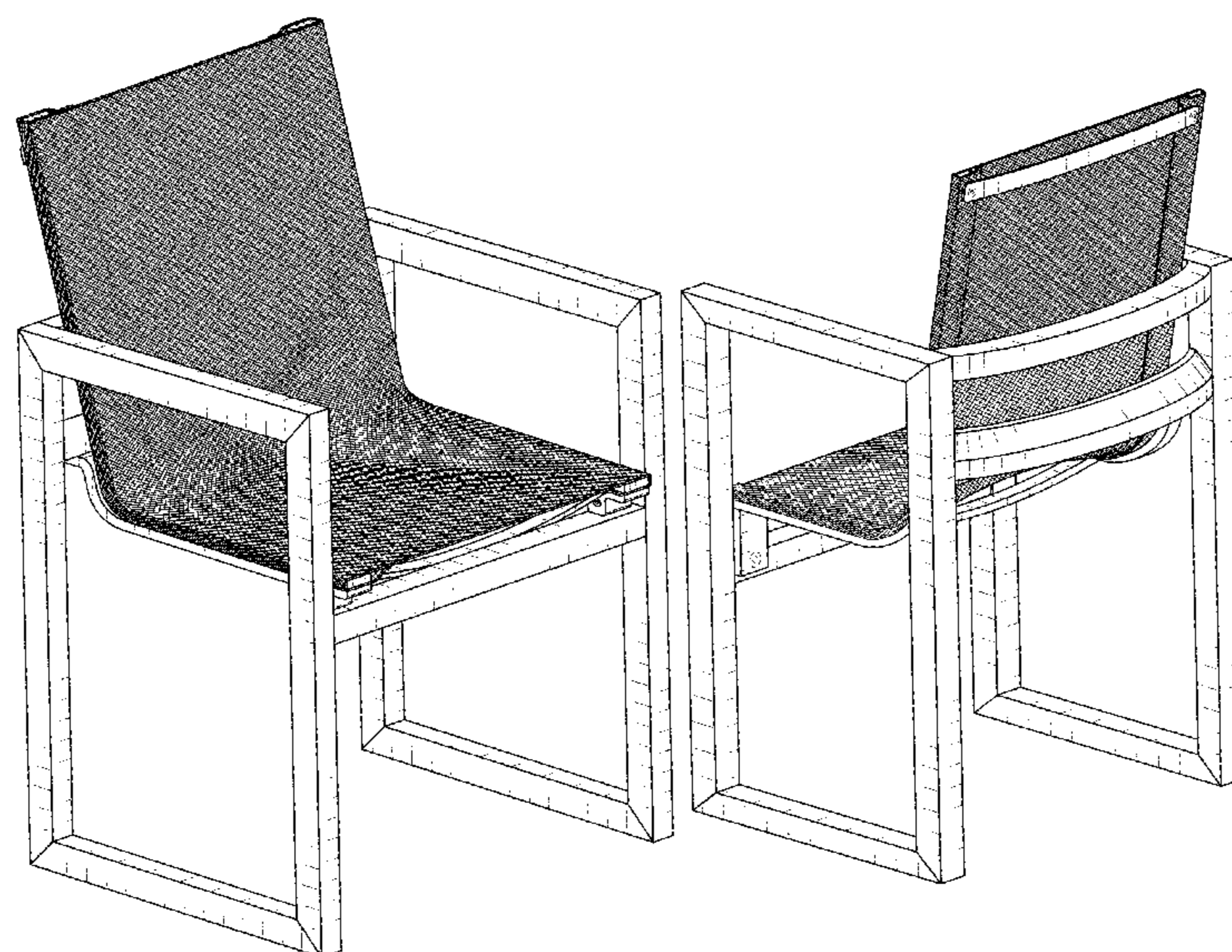
FIG. 6 is a left side view thereof;

FIG. 7 is a top view thereof; and,

FIG. 8 is a bottom view thereof.

The broken lines shown in the drawings are included for  
illustrating portions of the mesh dining chair that form no  
part of the claimed design.

**1 Claim, 8 Drawing Sheets**



(56)

**References Cited**

U.S. PATENT DOCUMENTS

D819,354 S \* 6/2018 Harman ..... D6/370  
D837,554 S \* 1/2019 Harman ..... D6/370  
D865,380 S \* 11/2019 Kin ..... D6/335

FOREIGN PATENT DOCUMENTS

GB 6067409 \* 8/2019  
KR 300661918.0000 \* 8/2011  
KR 300938363.0000 \* 7/2017

OTHER PUBLICATIONS

Bludot.Skiff Outdoor Stacking Chair, Date first available Mar. 23, 2017, [online]retrieved May 27, 2020, available from internet, <https://www.instagram.com/bludot/> (Year: 2017).\*

CG Studio, 3D Model of Poltrona Lounge Wooden Chair, Date first available Apr. 24, 2018, [online]retrieved May 8, 2020, available from internet, <https://www.cgstudio.com/> (Year: 2018).\*

CG Studio, Arm chair, Date first available Jan. 11, 2016, [online]retrieved May 8, 2020, available from internet, <https://www.cgstudio.com/> (Year: 2016).\*

\* cited by examiner

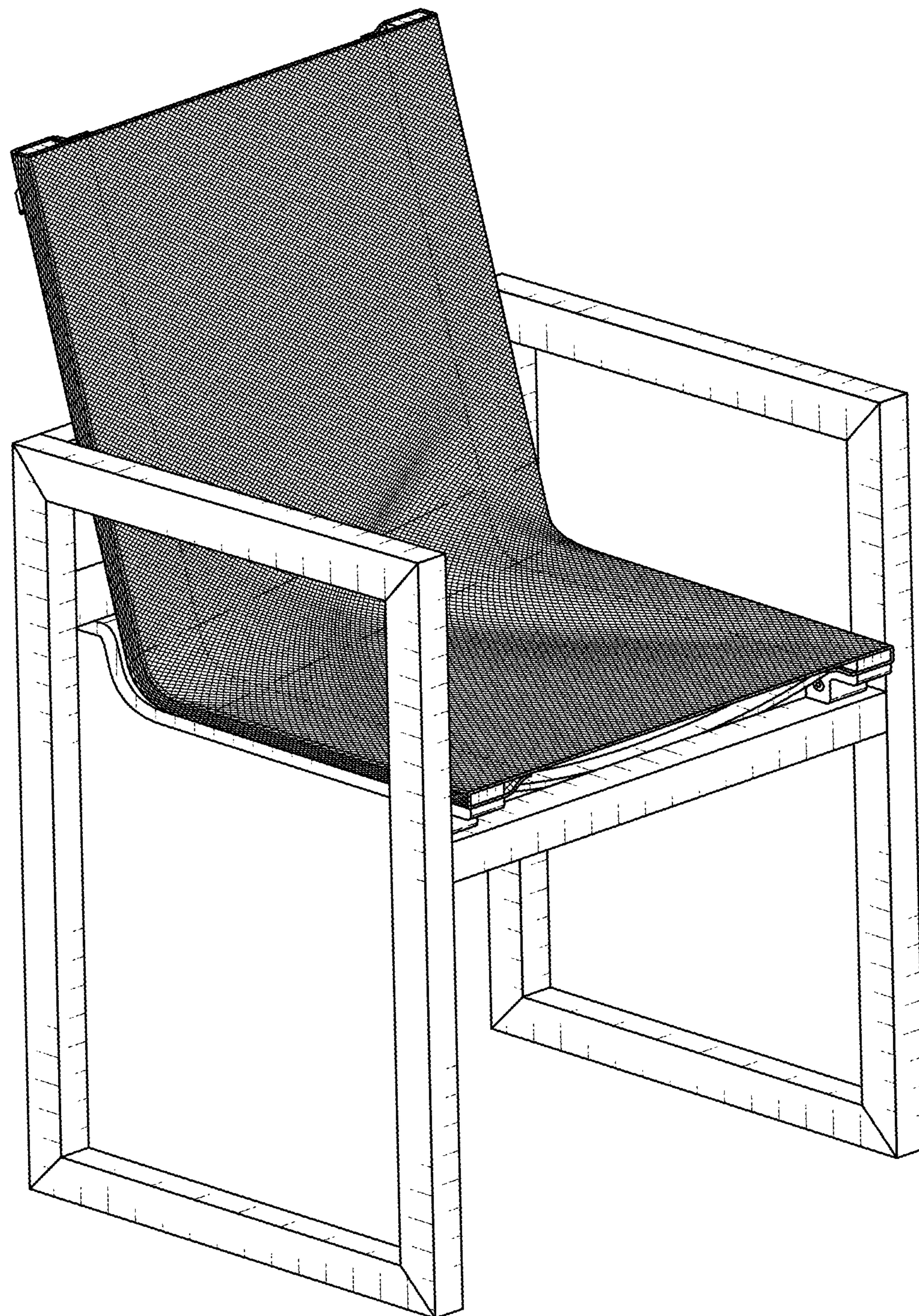


FIG. 1

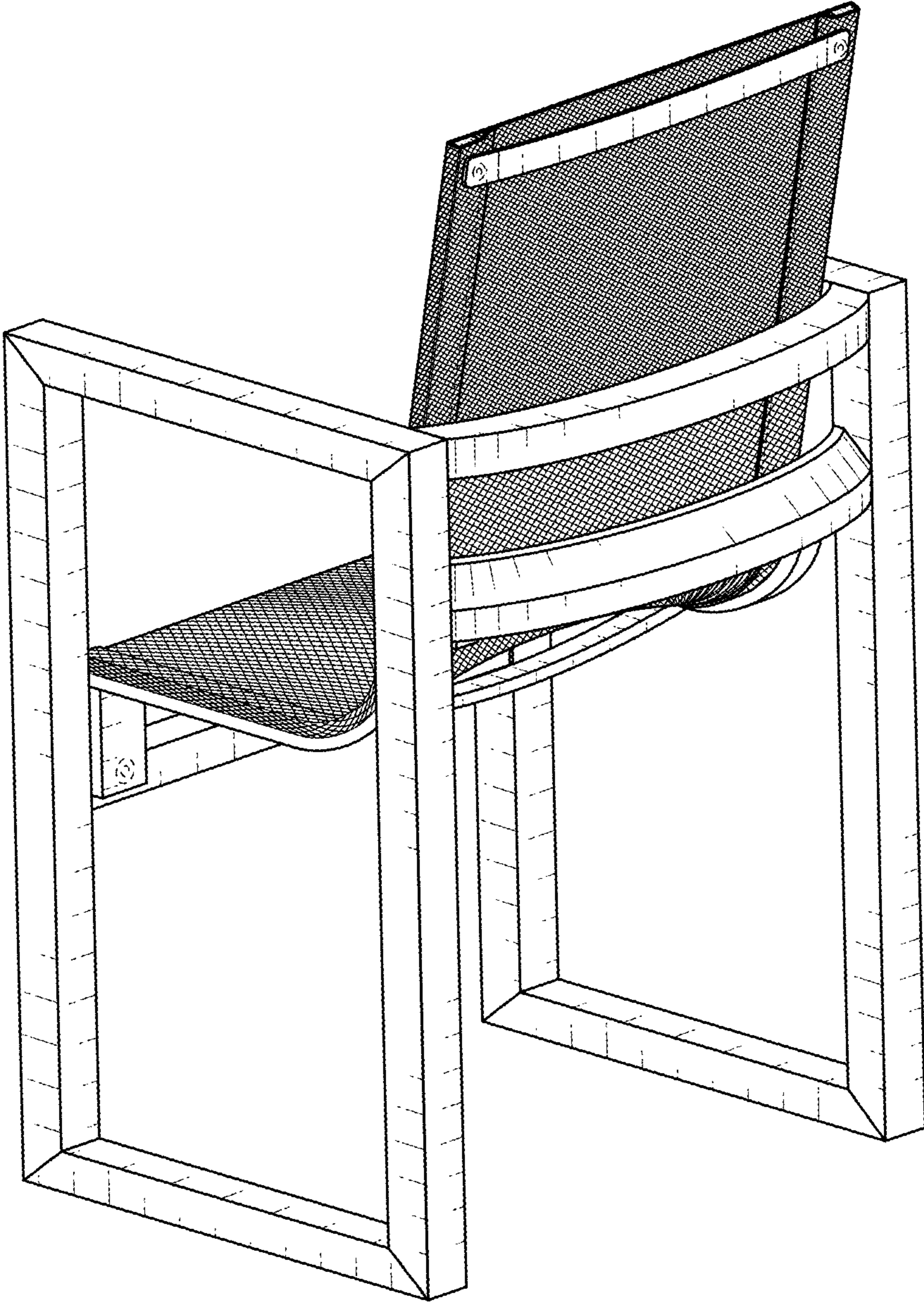


FIG. 2

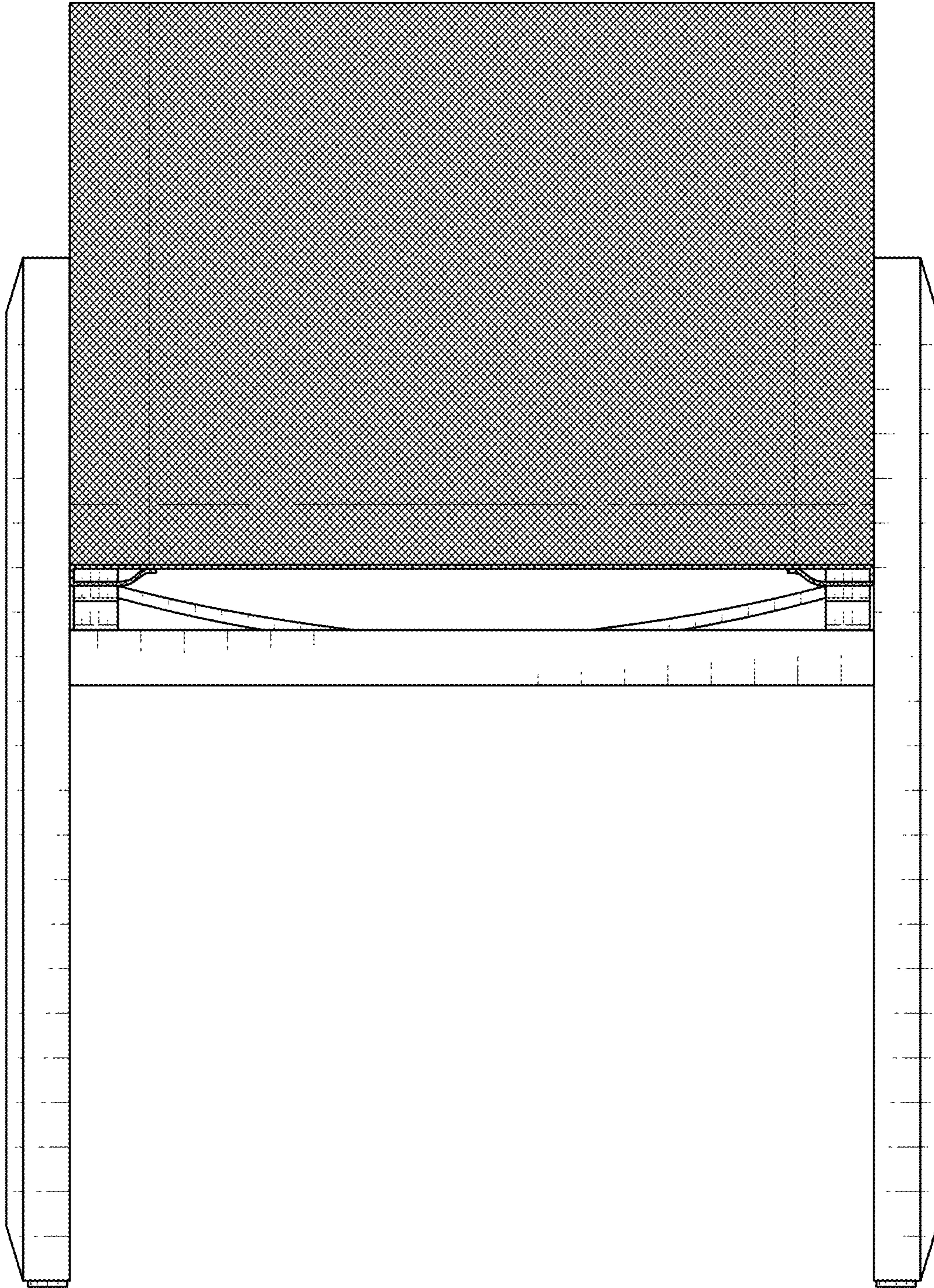


FIG. 3

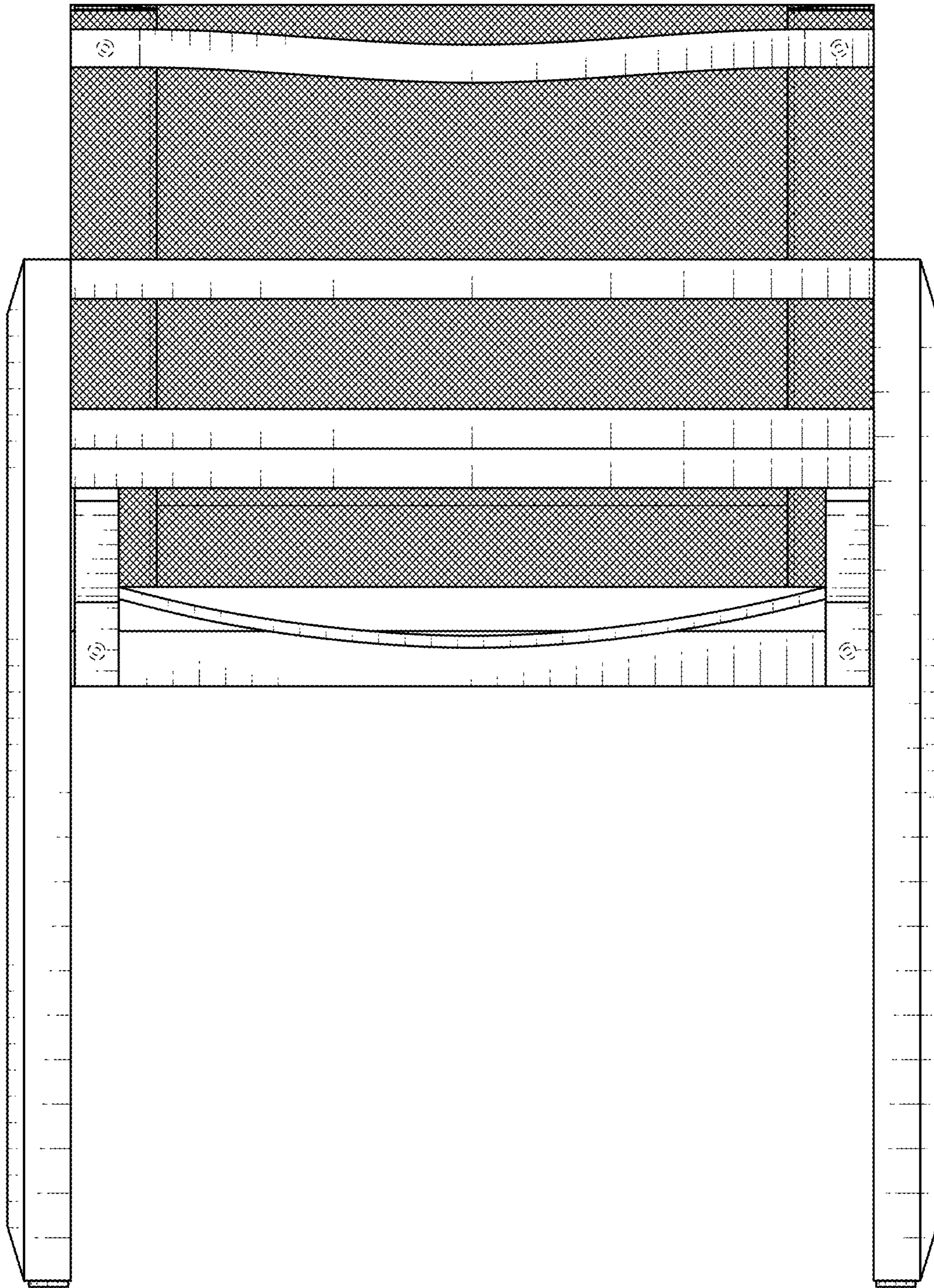


FIG. 4

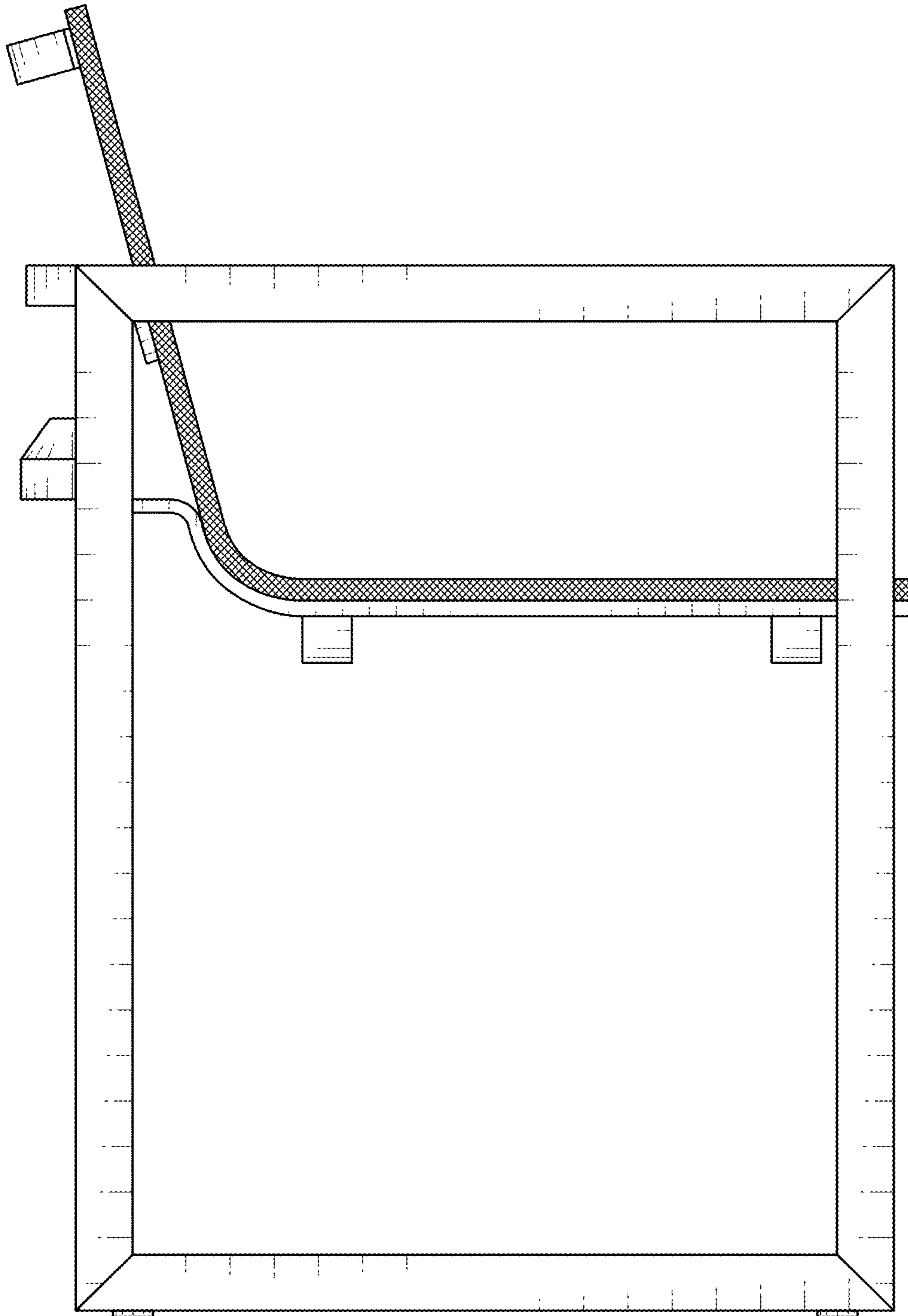


FIG. 5

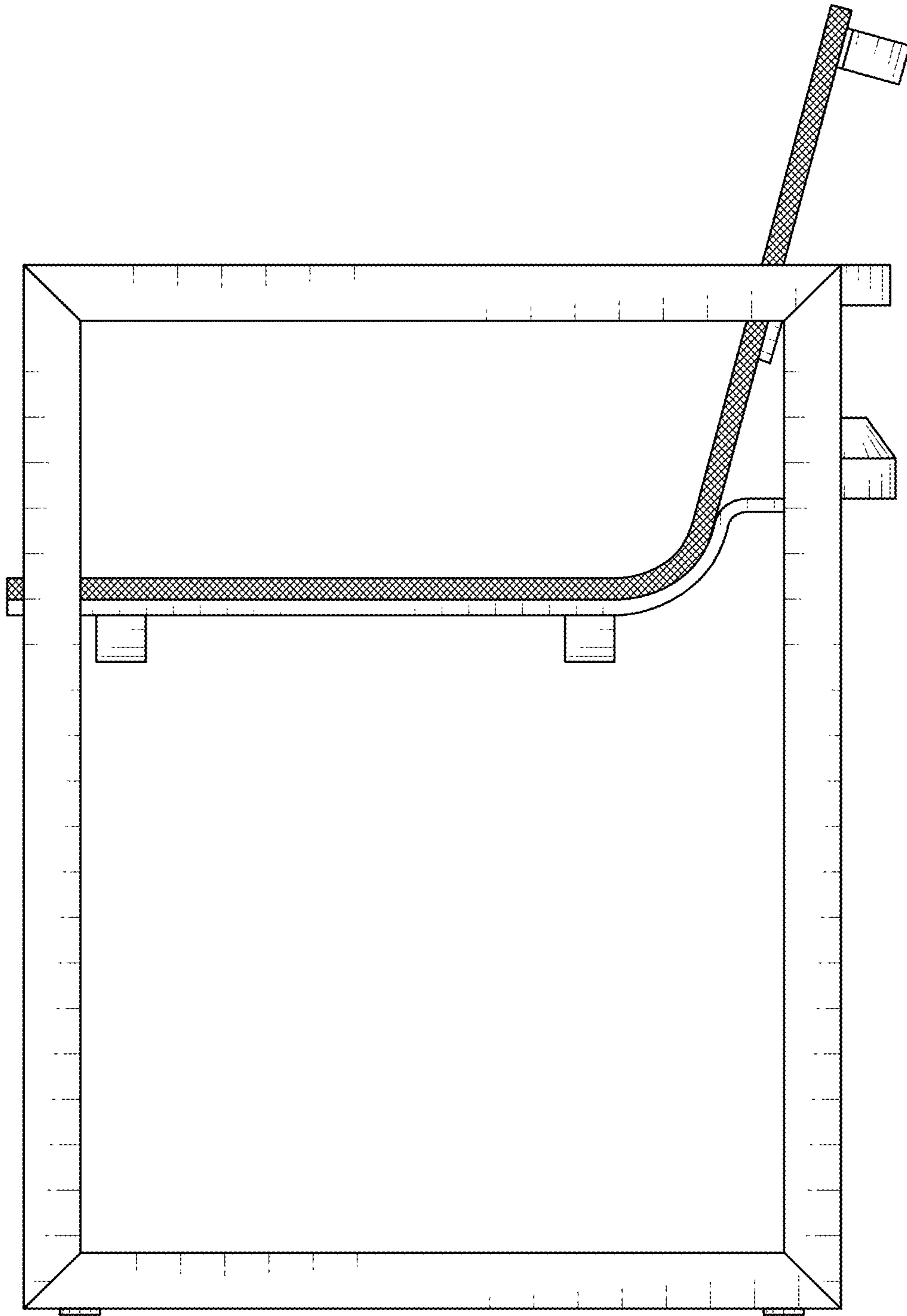


FIG. 6



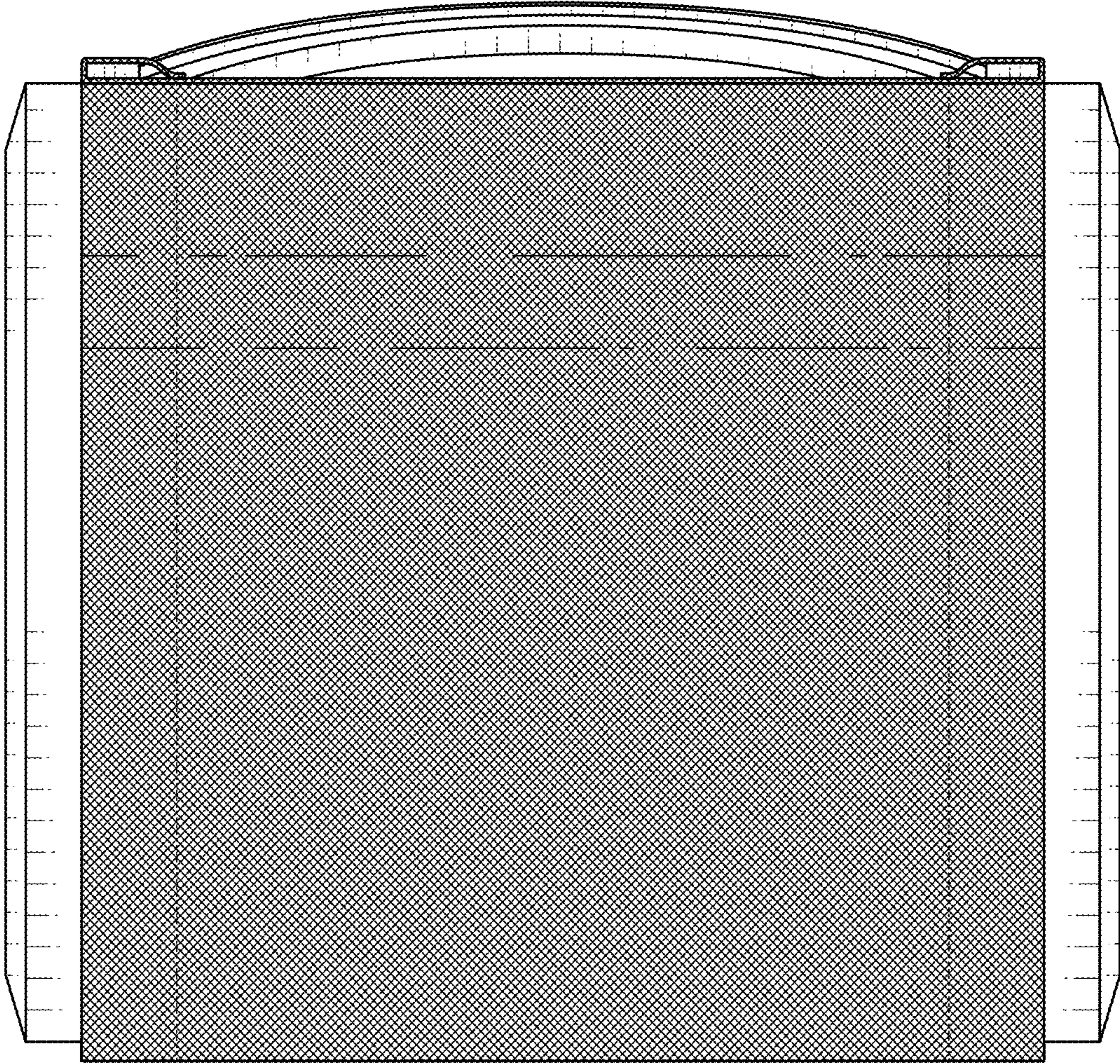


FIG. 7

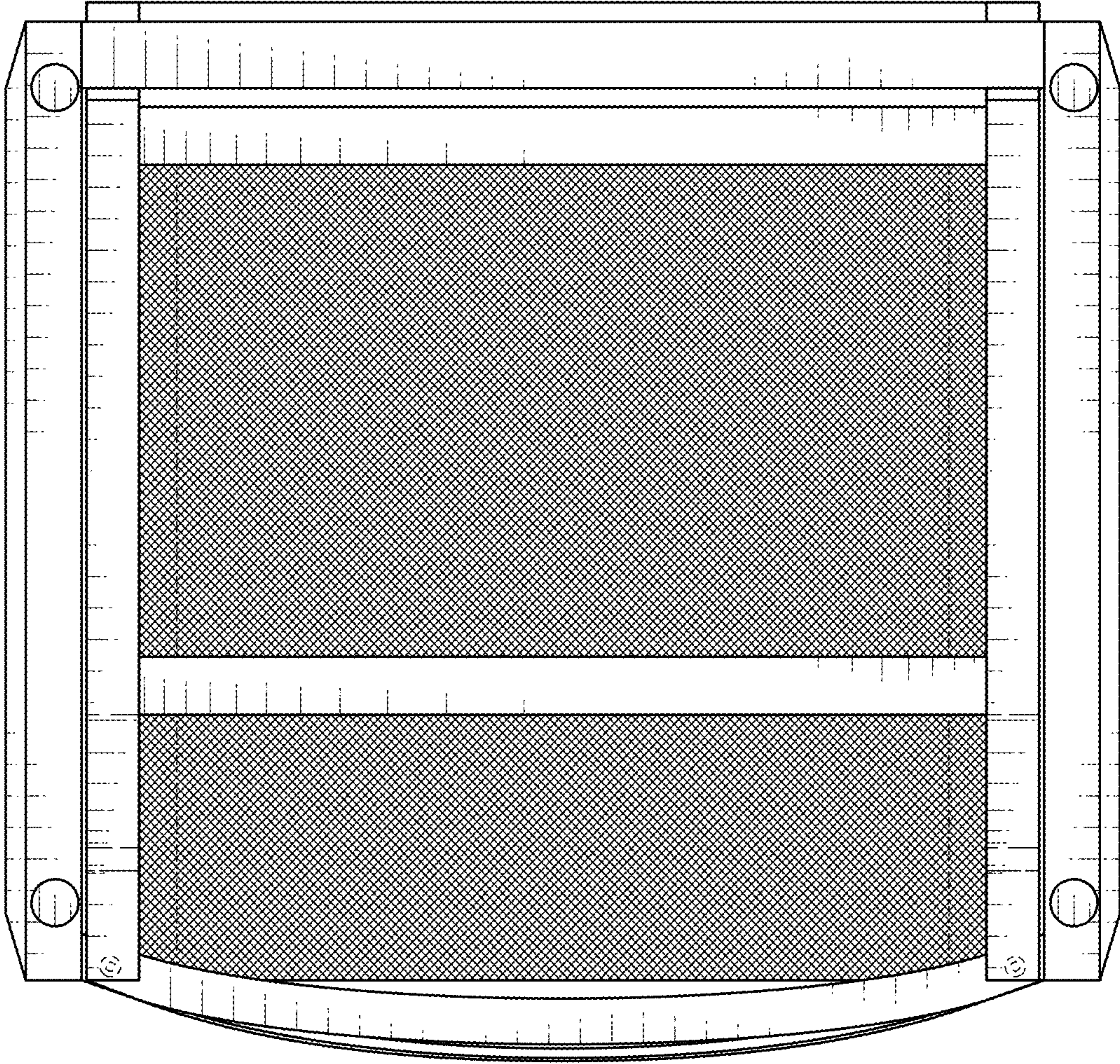


FIG. 8