



US00D898397S

(12) **United States Design Patent**  
**Wehner**

(10) **Patent No.:** **US D898,397 S**  
(45) **Date of Patent:** **\*\* Oct. 13, 2020**

(54) **CHAIR**

(71) Applicant: **Worldwide Creations, LLC**, Clio, MI (US)

(72) Inventor: **Scott D. Wehner**, Clio, MI (US)

(73) Assignee: **Worldwide Creations, LLC**, Clio, MI (US)

(\*\*) Term: **15 Years**

(21) Appl. No.: **29/690,175**

(22) Filed: **May 6, 2019**

(51) **LOC (12) Cl.** ..... **06-01**

(52) **U.S. Cl.**  
USPC ..... **D6/370**

(58) **Field of Classification Search**

USPC ..... D6/334, 349, 360, 362, 374-377, 379, D6/381, 716, 716.1, 719.3  
CPC .. A47C 1/00; A47C 1/02; A47C 1/024; A47C 1/028; A47C 1/037; A47C 3/00; A47C 3/04; A47C 3/14; A47C 3/20; A47C 7/002; A47C 7/16; A47C 7/18; A47C 4/04; A47C 4/08; A47C 4/18; A47C 4/28; A47C

(Continued)

(56) **References Cited**

**U.S. PATENT DOCUMENTS**

979,037 A 12/1910 Searle  
1,646,716 A 10/1927 Wheeler

(Continued)

**FOREIGN PATENT DOCUMENTS**

EM 000963707-0001 7/2008  
EM 000963707-0002 7/2008  
GB 814554 A \* 6/1959 ..... A47C 3/12

**OTHER PUBLICATIONS**

Internet Archive Wayback Machine capture of the Floating Bed,  
<https://web.archive.org/web/20030512020135/http://www.floatingbed.com:80/bigger-view/outdoor-tent-bed-tree.html>

com:80/bigger-view/outdoor-tent-bed-tree.html <<https://web.archive.org/web/20030512020135/http://www.floatingbed.com:80/bigger-view/outdoor-tent-bed-tree.html>>, capture dated May 12, 2003, print-out dated Aug. 16, 2017.

(Continued)

*Primary Examiner* — R. Johnson

(74) *Attorney, Agent, or Firm* — Young Basile Hanlon & MacFarlane, P.C.

(57) **CLAIM**

The ornamental design for a chair, as shown and described.

**DESCRIPTION**

FIG. 1 is a front perspective view of a chair showing my new design.

FIG. 2 is a front view of the chair of FIG. 1.

FIG. 3 is a rear view of the chair of FIG. 1.

FIG. 4 is a left-side view of the chair of FIG. 1.

FIG. 5 is a right-side view of the chair of FIG. 1.

FIG. 6 is a top view of the chair of FIG. 1.

FIG. 7 is a bottom view of the chair of FIG. 1.

FIG. 8 is a front perspective view showing the chair of FIG. 1 in an environment that includes a stand for supporting the chair in a hanging position and showing a cushion on a seating surface of the chair.

FIG. 9 is a front perspective view of a chair, the legs of the chair shown in broken lines illustrating environmental structure.

FIG. 10 is a front view of the chair of FIG. 9.

FIG. 11 is a rear view of the chair of FIG. 9.

FIG. 12 is a left-side view of the chair of FIG. 9.

FIG. 13 is a right-side view of the chair of FIG. 9.

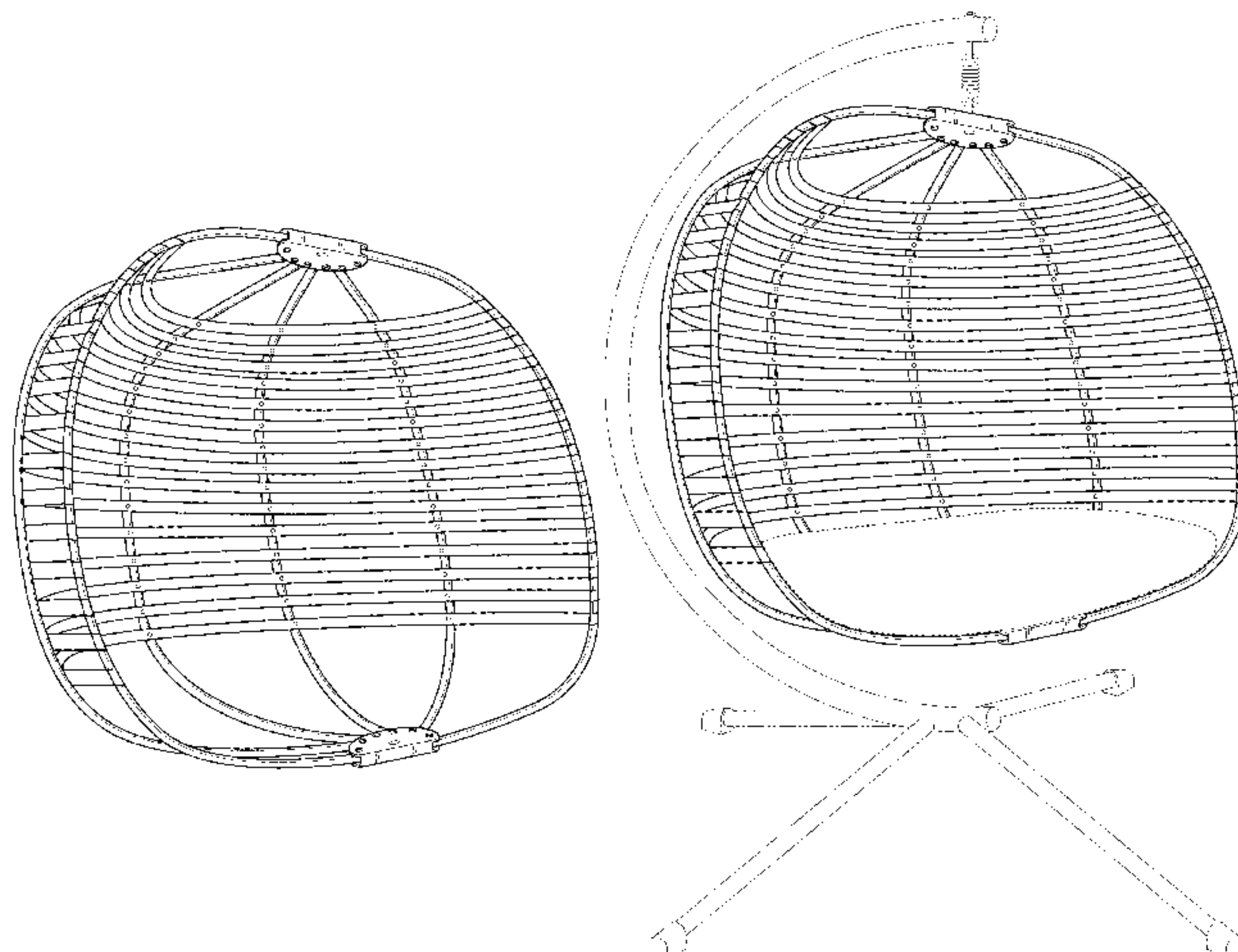
FIG. 14 is a top view of the chair of FIG. 9.

FIG. 15 is a bottom view of the chair of FIG. 9; and,

FIG. 16 is a front perspective view of the chair of FIG. 9 showing a cushion on a seating surface of the chair.

In the drawings, the ornamental design that is claimed is shown in solid lines. The broken lines form no part of the claimed design.

**1 Claim, 16 Drawing Sheets**



(58) **Field of Classification Search**  
 CPC ..... 4/54; A47C 11/00; A47C 9/007; A47C  
 13/00; A47C 15/002; A47C 17/02; A47C  
 31/11  
 See application file for complete search history.

(56) **References Cited**  
 U.S. PATENT DOCUMENTS

2,689,602 A 9/1954 Morgan  
 2,796,877 A 6/1957 Berseth  
 3,034,154 A 5/1962 Silverstone  
 3,130,969 A 4/1964 Groth  
 D198,779 S 8/1964 Bredon  
 3,145,990 A 8/1964 Prouty  
 3,186,711 A 6/1965 Morrow  
 3,344,443 A 10/1967 Bounell  
 3,528,657 A 9/1970 Krupsky  
 D232,500 S 8/1974 McGreevy et al.  
 3,902,264 A 9/1975 Radig  
 D243,044 S 1/1977 Pathman  
 4,000,749 A 1/1977 Busco  
 4,047,752 A 9/1977 Rohr  
 D249,408 S 9/1978 Jackson  
 D249,753 S 10/1978 Pratt  
 D252,602 S 8/1979 Cirrone  
 D254,458 S 3/1980 Wakefield  
 D254,829 S 4/1980 Gass  
 4,244,622 A \* 1/1981 Simpson ..... A47C 3/0255  
 297/273  
 4,258,951 A 3/1981 Groom  
 D259,610 S 6/1981 Martin  
 D263,663 S 4/1982 Moreau  
 D266,040 S \* 9/1982 Cope ..... D6/347  
 D274,133 S 6/1984 Dillon  
 D278,549 S 4/1985 Kristich  
 4,526,307 A 7/1985 Parker  
 4,550,456 A 11/1985 Allen  
 D282,970 S 3/1986 Parkin  
 4,838,292 A 6/1989 Allen  
 D306,196 S 2/1990 Muirhead  
 D323,535 S 1/1992 Foenander et al.  
 5,097,545 A 3/1992 Hooi  
 D331,158 S 11/1992 Hooi  
 D336,378 S \* 6/1993 Kittridge ..... D6/344  
 D346,070 S 4/1994 Kither  
 D348,161 S \* 6/1994 Craig, III ..... D6/347  
 D348,361 S 7/1994 Beecher  
 5,439,016 A 8/1995 Grahm  
 5,511,258 A 4/1996 Barr, Sr.  
 D369,476 S \* 5/1996 Quill ..... D6/344  
 5,588,702 A 12/1996 Litwin  
 5,695,253 A 12/1997 Jenkins  
 D393,303 S 4/1998 Van Wagenen  
 5,918,615 A 7/1999 Stuck, Sr.  
 5,944,381 A 8/1999 Nguyen  
 D414,045 S 9/1999 Morrow  
 D421,034 S 2/2000 Shirley et al.  
 6,401,404 B1 6/2002 Fillipp et al.  
 6,474,843 B2 11/2002 Shieh  
 D469,145 S 1/2003 Underwood  
 D496,169 S 9/2004 Hightower  
 D496,802 S 10/2004 Hightower  
 D501,610 S 2/2005 Hightower  
 6,848,740 B1 2/2005 Reese  
 D503,554 S 4/2005 Kay  
 D503,555 S 4/2005 Hightower  
 D507,706 S 7/2005 Lo  
 D515,830 S 2/2006 Zheng  
 D516,330 S \* 3/2006 Ruiter ..... A47C 7/024  
 D6/370  
 D516,645 S 3/2006 Chung  
 D516,825 S 3/2006 Zheng  
 D516,826 S 3/2006 Zheng  
 D517,819 S 3/2006 Zheng  
 D522,260 S 6/2006 Strachan  
 D536,888 S 2/2007 Dykstra

D538,545 S 3/2007 Zimmermann  
 D539,048 S 3/2007 Zimmermann  
 D539,049 S 3/2007 Zimmermann  
 D539,050 S 3/2007 Zimmermann  
 7,204,549 B1 4/2007 Zeng  
 D541,552 S 5/2007 Weldon  
 D552,853 S 10/2007 Goodrick  
 D558,293 S 12/2007 Brumbach et al.  
 D565,125 S 3/2008 Collier  
 7,367,068 B2 5/2008 Huff  
 7,380,880 B2 6/2008 Molen  
 7,404,601 B2 7/2008 Chen  
 D575,079 S 8/2008 Hirsh  
 D577,774 S 9/2008 Lo et al.  
 D596,675 S 7/2009 Roman Moreno  
 D609,987 S 2/2010 Moman  
 D638,071 S 5/2011 Tyler  
 7,967,374 B2 6/2011 Akkad  
 D649,800 S \* 12/2011 Lievore ..... D6/373  
 D660,034 S 5/2012 Frety et al.  
 D660,608 S 5/2012 Hasman  
 D677,914 S 3/2013 Cardenas  
 D679,104 S 4/2013 Pouzet  
 D682,565 S 5/2013 McDonald  
 D692,083 S 10/2013 Toland  
 D698,696 S 2/2014 McBurney et al.  
 D702,449 S 4/2014 Puotiniemi  
 D705,499 S 5/2014 Zamarripa  
 8,764,234 B1 7/2014 Acree et al.  
 D720,148 S \* 12/2014 Urquiola ..... D6/369  
 9,067,146 B1 6/2015 Cordray  
 9,095,204 B2 8/2015 Ou  
 D738,123 S 9/2015 Wu  
 D738,128 S 9/2015 Paslawski  
 D738,637 S 9/2015 Dean  
 D759,396 S \* 6/2016 Wehner ..... D6/347  
 D760,506 S 7/2016 McDonald  
 9,440,154 B1 9/2016 Cordray et al.  
 9,468,284 B2 10/2016 Wehner  
 D773,221 S 12/2016 Lee  
 9,554,653 B2 1/2017 Lee  
 D778,656 S 2/2017 Lee  
 D781,061 S 3/2017 Merritt  
 9,630,119 B2 4/2017 Fries et al.  
 D787,842 S 5/2017 Lenton  
 9,713,372 B1 7/2017 Chen  
 D796,865 S 9/2017 Haug  
 D800,508 S 10/2017 Peters  
 9,861,181 B2 1/2018 Wehner  
 D814,813 S 4/2018 Hassman  
 D817,013 S 5/2018 Hassman  
 D819,348 S 6/2018 Hassman  
 D819,989 S 6/2018 Hassman  
 D820,605 S 6/2018 Hassman  
 D820,606 S 6/2018 Hassman  
 D829,454 S 10/2018 Wehner  
 10,161,601 B1 12/2018 Chen  
 10,631,647 B1 \* 4/2020 Wu ..... A47C 3/0255  
 2003/0024448 A1 2/2003 Lieberman  
 2003/0057754 A1 3/2003 Snyders  
 2003/0140417 A1 7/2003 Huff  
 2005/0108821 A1 5/2005 Gardner  
 2005/0277499 A1 12/2005 Tang et al.  
 2007/0283611 A1 12/2007 Laurent et al.  
 2008/0060128 A1 3/2008 Forshpan  
 2008/0203774 A1 8/2008 Hemetsberger  
 2010/0252083 A1 10/2010 Ogle  
 2011/0254334 A1 10/2011 Phillips  
 2012/0178543 A1 7/2012 Monachello  
 2015/0018108 A1 1/2015 Lacy et al.  
 2015/0030790 A1 \* 1/2015 Duncan ..... A47C 3/0255  
 428/34.1  
 2015/0335136 A1 \* 11/2015 Wehner ..... A47C 3/0255  
 297/273  
 2016/0107095 A1 4/2016 Fries et al.  
 2017/0234025 A1 8/2017 Bottome et al.



(56)

**References Cited**

## OTHER PUBLICATIONS

Internet Archive Wayback Machine's capture of The Floating Bed, <https://web.archive.org/web/20030513102711/http://www.floatingbed.com:80/bigger-view/outdoor-tent-bed.html> <<https://web.archive.org/web/20030513102711/http://www.floatingbed.com:80/bigger-view/outdoor-tent-bed.html>>, capture dated May 13, 2003, print-out dated Aug. 16, 2017.

National Archives and Records Administration, Gabe Gobin, an Indian logger, in front of his home. Tulalip Reservation, Washington, <[https://commons.wikimedia.org/wiki/File:Gabe\\_Gobin,\\_an\\_Indian\\_logger,\\_in\\_front\\_of\\_his\\_home.\\_Tulalip\\_Reservation,\\_Washington,\\_1916\\_-\\_NARA\\_-\\_518929.tif](https://commons.wikimedia.org/wiki/File:Gabe_Gobin,_an_Indian_logger,_in_front_of_his_home._Tulalip_Reservation,_Washington,_1916_-_NARA_-_518929.tif)>, created Dec. 31, 1915, print-out dated Aug. 22, 2017.

Wikipedia, Weaver Next in Malaysia, [https://en.wikipedia.org/wiki/Ploceidae#/media/File:Weaver\\_Nest.jpg](https://en.wikipedia.org/wiki/Ploceidae#/media/File:Weaver_Nest.jpg) <[https://en.wikipedia.org/wiki/Ploceidae#/media/File:Weaver\\_Nest.jpg](https://en.wikipedia.org/wiki/Ploceidae#/media/File:Weaver_Nest.jpg)>, created Mar. 28, 2013, print-out dated Aug. 22, 2017.

Fine Mod Imports Euro Aarnio Style Bubble Hanging Chair, [www.instylemodern.com/Eero-Aarnio-Style-Bubble-Hanging-Chair-White-Cushi-p/1122-white-with-stand.htm](http://www.instylemodern.com/Eero-Aarnio-Style-Bubble-Hanging-Chair-White-Cushi-p/1122-white-with-stand.htm) <<http://www.instylemodern.com/Eero-Aarnio-Style-Bubble-Hanging-Chair-White-Cushi-p/1122-white-with-stand.htm>>, captured on Jun. 29, 2018.

ACME 2-Piece All Star Set Chair and Ottoman, Baseball, [www.amazon.com/05528-2-Piece-Chair-Ottoman-Baseball/dp/B004H6UYAE](http://www.amazon.com/05528-2-Piece-Chair-Ottoman-Baseball/dp/B004H6UYAE) <<http://www.amazon.com/05528-2-Piece-Chair-Ottoman-Baseball/dp/B004H6UYAE>>, captured Jun. 29, 2018.

Coaster Kid's Swivel Chair and Ottoman Set, Basketball Design, [www.amazon.com/Coaster-Swivel-Ottoman-Basketball-2-Pieces/dp/B000WI8UHA](http://www.amazon.com/Coaster-Swivel-Ottoman-Basketball-2-Pieces/dp/B000WI8UHA) <<http://www.amazon.com/Coaster-Swivel-Ottoman-Basketball-2-Pieces/dp/B000WI8UHA>>, captured on Jun. 29, 2018.

Fine Mod Imports Egg Hanging Chair, [www.finemodimports.com/Egg\\_Hanging\\_Chair\\_p/fmi2208.htm](http://www.finemodimports.com/Egg_Hanging_Chair_p/fmi2208.htm) <[http://www.finemodimports.com/Egg\\_Hanging\\_Chair\\_p/fmi2208.htm](http://www.finemodimports.com/Egg_Hanging_Chair_p/fmi2208.htm)>, captured on Jun. 29, 2018.

Design Market Nanna Ditzel Egg Chair, [www.design-mkt.com/154-egg-hanging-chair-nanna-ditzel-1959.html](http://www.design-mkt.com/154-egg-hanging-chair-nanna-ditzel-1959.html) <<http://www.design-mkt.com/154-egg-hanging-chair-nanna-ditzel-1959.html>>, captured Jun. 29, 2018.

Wildon Home Kid's Football Chair and Ottoman Set, [www.amazon.com/Kids-Football-Chair-Ottoman-Set/dp/B00XYTD5FG/](http://www.amazon.com/Kids-Football-Chair-Ottoman-Set/dp/B00XYTD5FG/) <<http://www.amazon.com/Kids-Football-Chair-Ottoman-Set/dp/B00XYTD5FG/>>, captured Jun. 29, 2018.

Wicker Hanging Swing Patio Bed, [www.karimunjavaadventure.com/item-detail/wicker-hanging-swing-patio-bed-swing-steel-garden-swing.html](http://www.karimunjavaadventure.com/item-detail/wicker-hanging-swing-patio-bed-swing-steel-garden-swing.html) <<http://www.karimunjavaadventure.com/item-detail/wicker-hanging-swing-patio-bed-swing-steel-garden-swing.html>>, captured Jun. 29, 2018.

Football Hanging Chair on Alibaba, [www.alibaba.com/product-detail/football-design-swing-hang-chair-outdoor\\_60325860005.html?spm=a2700.galleryofferlist.normalList.23.5f287b1802IByl](http://www.alibaba.com/product-detail/football-design-swing-hang-chair-outdoor_60325860005.html?spm=a2700.galleryofferlist.normalList.23.5f287b1802IByl) <[http://www.alibaba.com/product-detail/football-design-swing-hang-chair-outdoor\\_60325860005.html?spm=a2700.galleryofferlist.normalList.23.5f287b1802IByl](http://www.alibaba.com/product-detail/football-design-swing-hang-chair-outdoor_60325860005.html?spm=a2700.galleryofferlist.normalList.23.5f287b1802IByl)>, captured Jun. 29, 2018.

Round Rattan Outdoor Bed, [gptoparts.en.alibaba.com/product/60149906396-221138431/Round\\_rattan\\_outdoor\\_bed\\_outdoor\\_swing\\_bed\\_round\\_hanging\\_bed\\_round.html?spm=a2700.8304367.prewdfa4cf.1.576f3e26neSEBx](http://gptoparts.en.alibaba.com/product/60149906396-221138431/Round_rattan_outdoor_bed_outdoor_swing_bed_round_hanging_bed_round.html?spm=a2700.8304367.prewdfa4cf.1.576f3e26neSEBx), captured Jun. 29, 2018.

Round Egg Straight Hanging Chair, [gptoparts.en.alibaba.com/product/60194886386-221138431/Outdoor\\_Wicker\\_Patio\\_Furniture\\_Round\\_Egg\\_Straight\\_Hanging\\_Chair\\_NEW.html?spm=a2700.8304367.prewdfa4cf.16.e5203e27WgVkmD](http://gptoparts.en.alibaba.com/product/60194886386-221138431/Outdoor_Wicker_Patio_Furniture_Round_Egg_Straight_Hanging_Chair_NEW.html?spm=a2700.8304367.prewdfa4cf.16.e5203e27WgVkmD), captured Jun. 29, 2018.

Swing Hanging Chair, [gptoparts.en.alibaba.com/product/60134002497-221138431/Swing\\_hanging\\_chair\\_cheap\\_material\\_PE\\_rattan\\_popular\\_in\\_many\\_countries.html?spm=a2700.8304367.prewdfa4cf.4.45803e26KjE2Q6](http://gptoparts.en.alibaba.com/product/60134002497-221138431/Swing_hanging_chair_cheap_material_PE_rattan_popular_in_many_countries.html?spm=a2700.8304367.prewdfa4cf.4.45803e26KjE2Q6), captured Jun. 29, 2018.

2015 New Model Wooden Horse Swing, [gptoparts.en.alibaba.com/product/60145838006-221138431/2015\\_new\\_model\\_wooden\\_horse\\_swing.html?spm=a2700.8304367.prewdfa4cf.13.7d4d3e26Iv1M0a](http://gptoparts.en.alibaba.com/product/60145838006-221138431/2015_new_model_wooden_horse_swing.html?spm=a2700.8304367.prewdfa4cf.13.7d4d3e26Iv1M0a), captured Jun. 29, 2018.

Two Seat Hanging Swing Chair, [gptoparts.en.alibaba.com/product/60449144448-221138431/Outdoor\\_two\\_seat\\_hanging\\_swing\\_chair\\_for\\_adult.html?spm=a2700.8304367.prewdfa4cf.16.633e3e1dUpVBU5](http://gptoparts.en.alibaba.com/product/60449144448-221138431/Outdoor_two_seat_hanging_swing_chair_for_adult.html?spm=a2700.8304367.prewdfa4cf.16.633e3e1dUpVBU5), captured Jun. 29, 2018.

Nest Chair Patio Swing, [gptoparts.en.alibaba.com/product/60672125777-221138431/Nest\\_Chair\\_Patio\\_Swing\\_Chair\\_Hanging\\_Hammock.html?spm=a2700.8304367.prewdfa4cf.10.309b3e60xpCfW0](http://gptoparts.en.alibaba.com/product/60672125777-221138431/Nest_Chair_Patio_Swing_Chair_Hanging_Hammock.html?spm=a2700.8304367.prewdfa4cf.10.309b3e60xpCfW0), captured Jun. 29, 2018.

Comfortable Bedroom Chair, [gptoparts.en.alibaba.com/product/60565028285-221138431/Wholesale\\_best\\_selling\\_in\\_Poland\\_comfortable\\_bedroom\\_chairs.html?spm=a2700.8304367.prewdfa4cf.28.558a3e18W54nwH](http://gptoparts.en.alibaba.com/product/60565028285-221138431/Wholesale_best_selling_in_Poland_comfortable_bedroom_chairs.html?spm=a2700.8304367.prewdfa4cf.28.558a3e18W54nwH), captured Jun. 29, 2018.

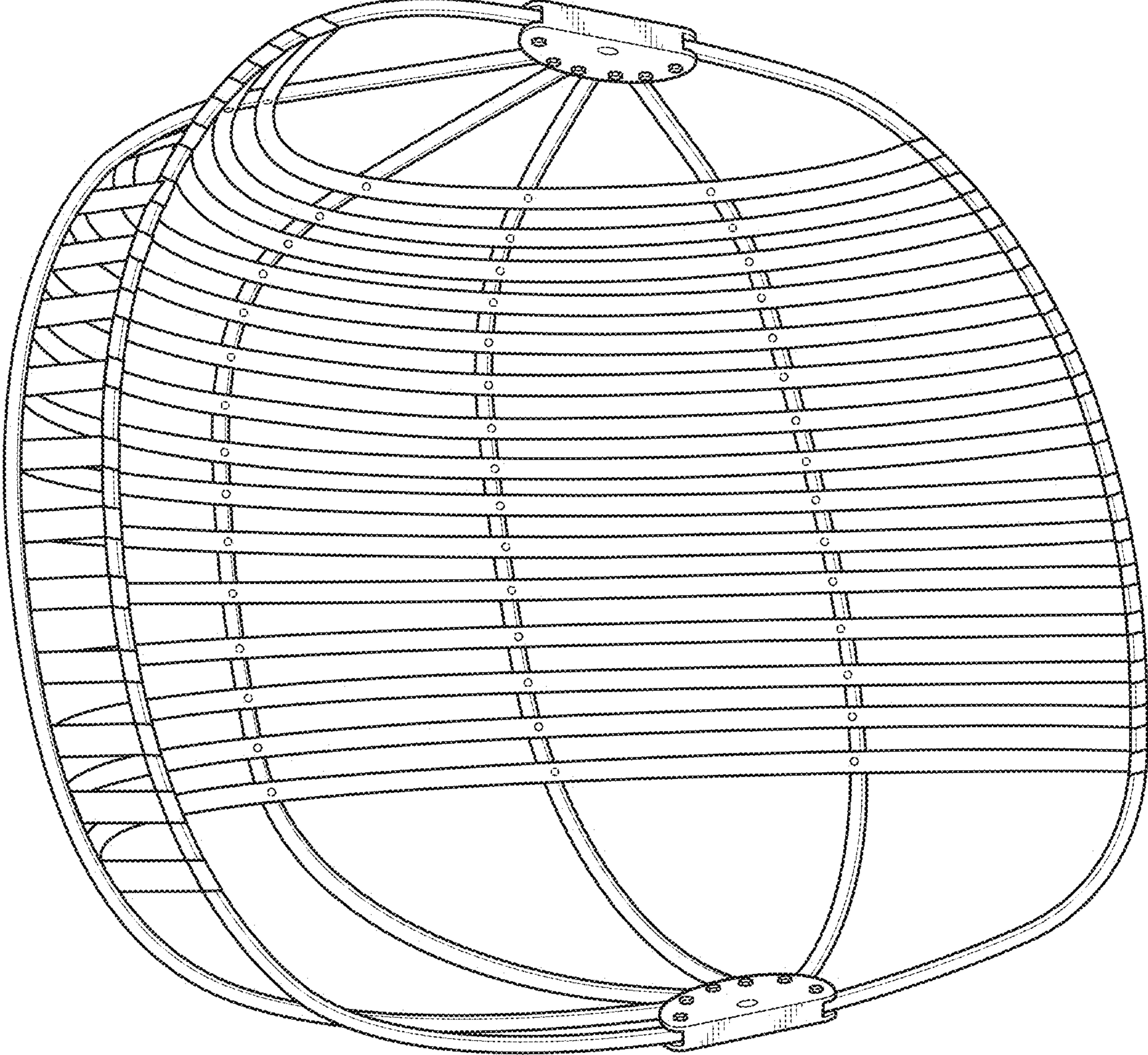
Round Swing Chair, [gptoparts.en.alibaba.com/product/60390746146-221138431/not\\_sale\\_round\\_swing\\_chair\\_hanging\\_chair\\_with\\_cushion\\_for\\_1\\_person\\_hanging\\_garden\\_rocking\\_chair.html?spm=a2700.8304367.prewdfa4cf.1.48593e67yWB6YI](http://gptoparts.en.alibaba.com/product/60390746146-221138431/not_sale_round_swing_chair_hanging_chair_with_cushion_for_1_person_hanging_garden_rocking_chair.html?spm=a2700.8304367.prewdfa4cf.1.48593e67yWB6YI), captured Jun. 29, 2018.

Multicolored Apple Shape Chair, [gptoparts.en.alibaba.com/product/60130025317-221138431/multicolored\\_apple\\_shape\\_hammock\\_eco\\_friend\\_handmade\\_chair\\_with\\_natural\\_rattan\\_and\\_bamboo\\_hanging\\_chair.html?spm=a2700.8304367.prewdfa4cf.34.37be3e27VLPiIR](http://gptoparts.en.alibaba.com/product/60130025317-221138431/multicolored_apple_shape_hammock_eco_friend_handmade_chair_with_natural_rattan_and_bamboo_hanging_chair.html?spm=a2700.8304367.prewdfa4cf.34.37be3e27VLPiIR), captured Jun. 29, 2018.

Fine Mod Imports Bird Hanging Chair, <<https://www.hammockup.com/products/bird-hanging-chair-white?variant=1848133877769>>, captured Jul. 3, 2018.

\* cited by examiner

FIG. 1





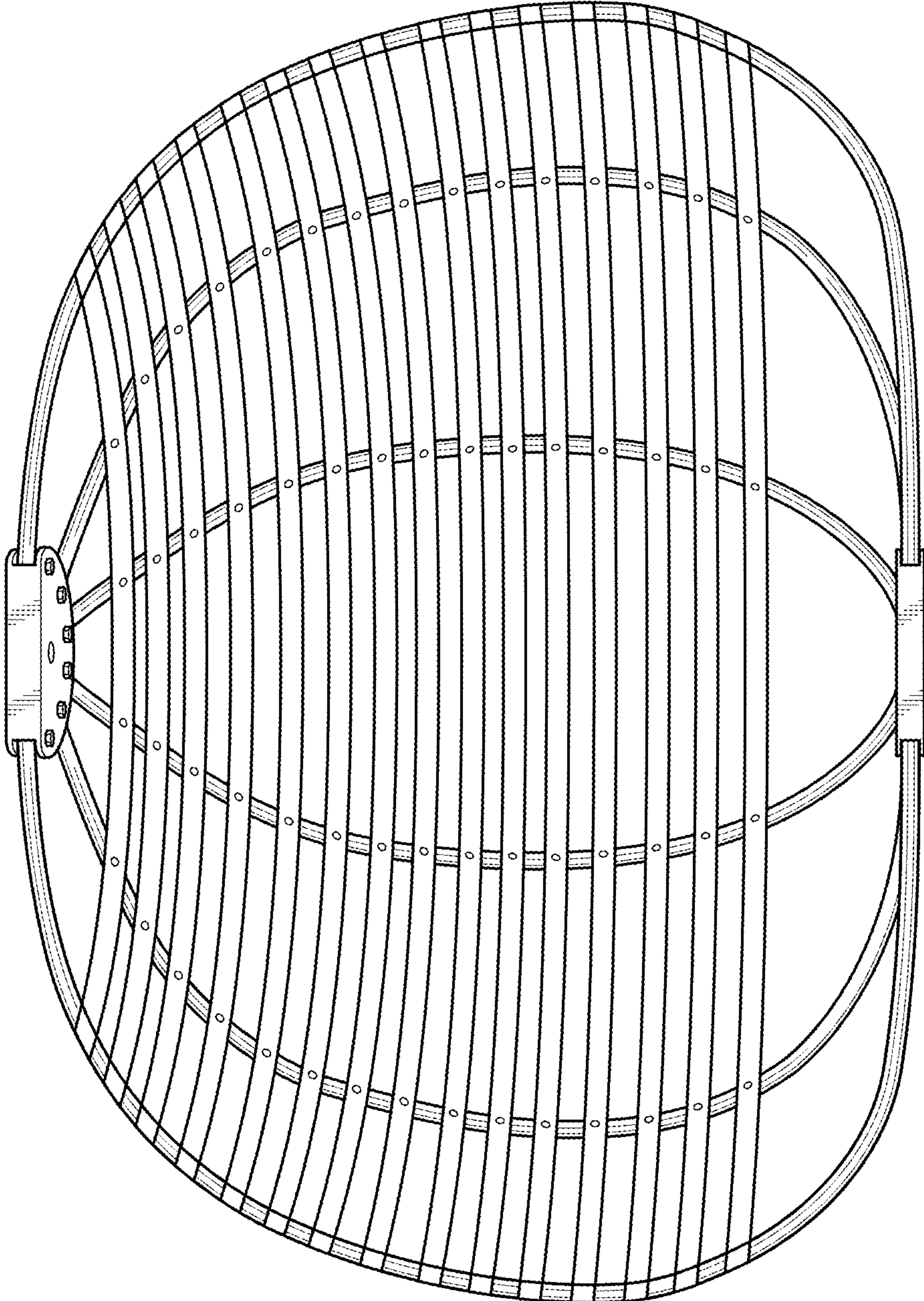


FIG. 2

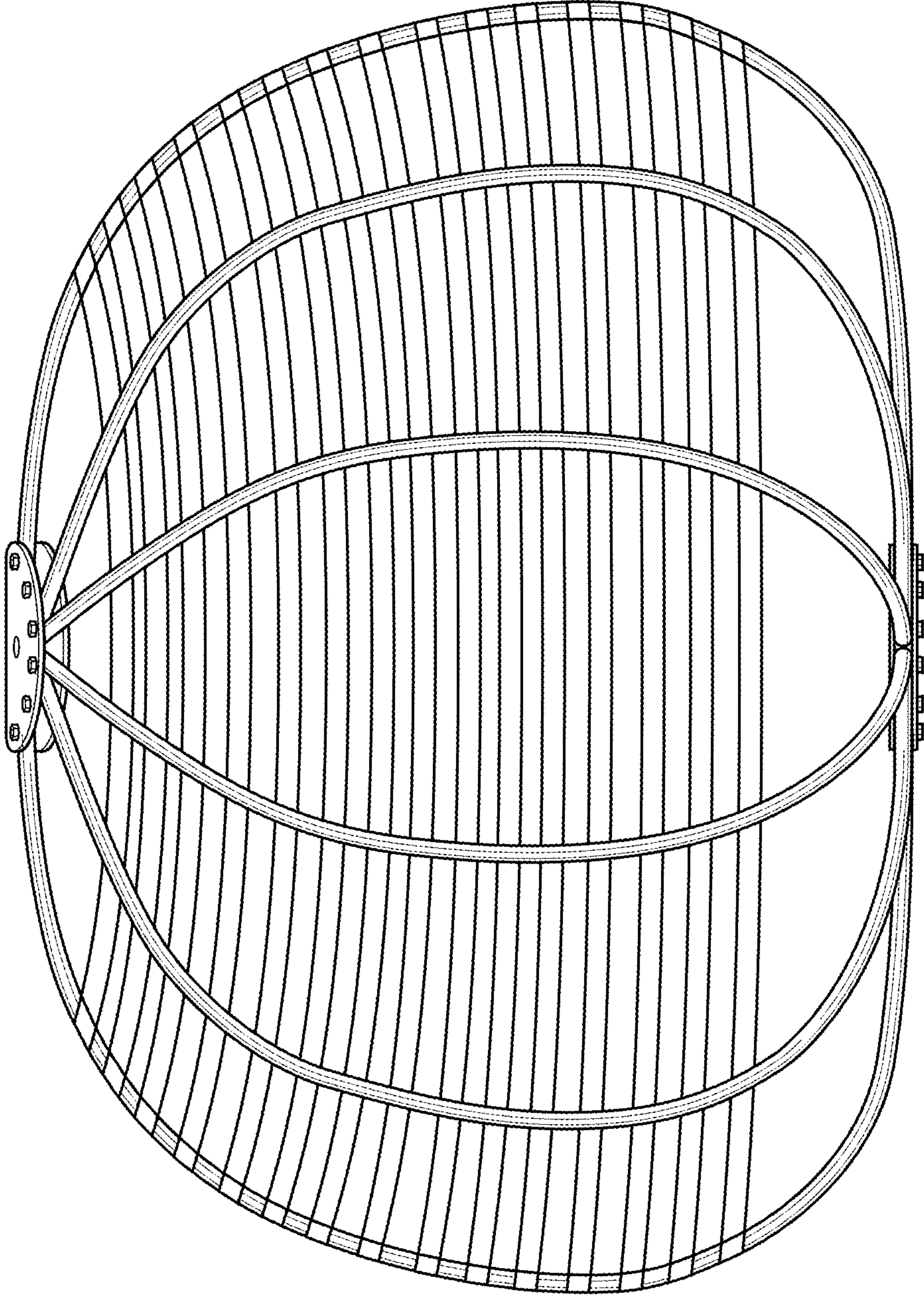


FIG. 3

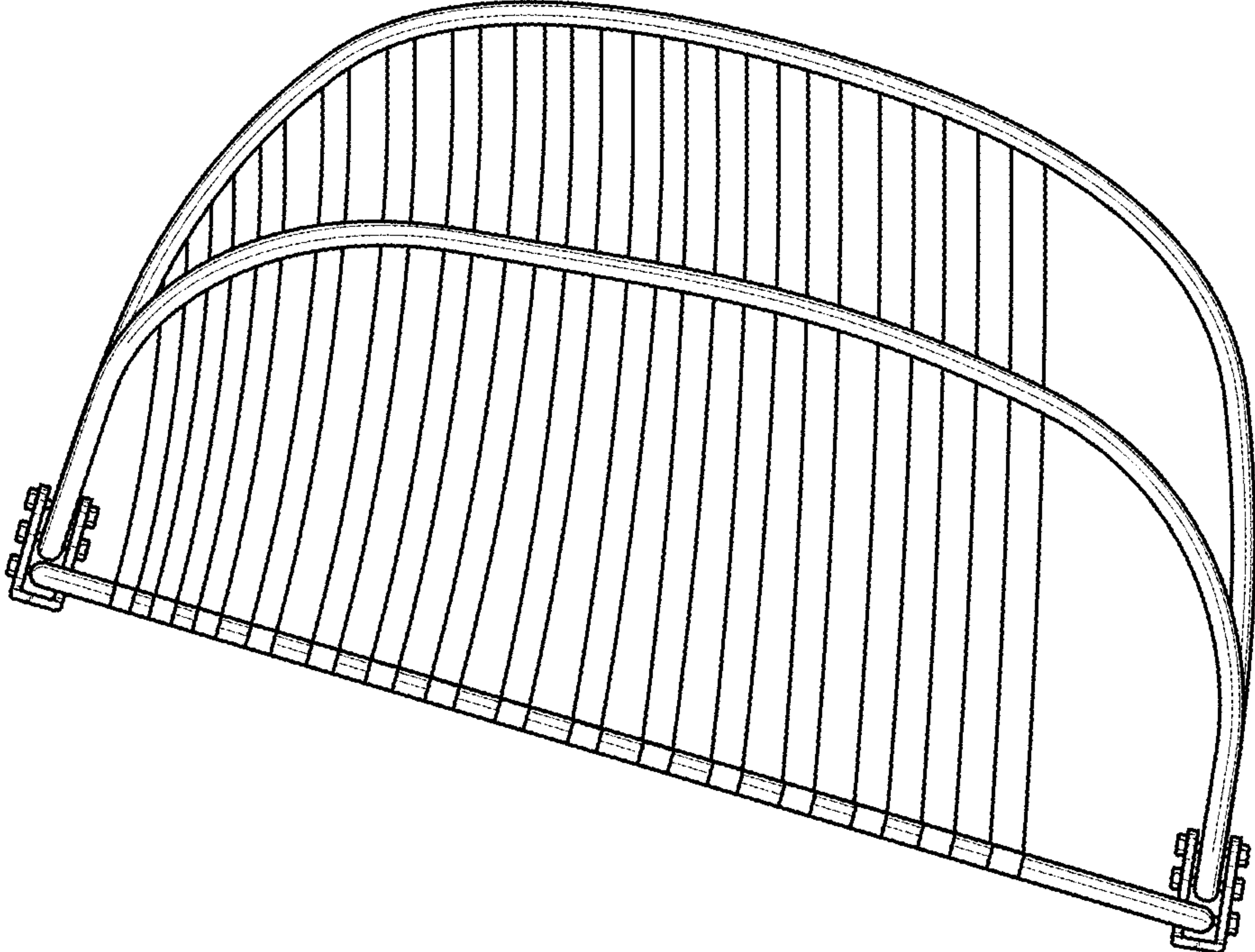
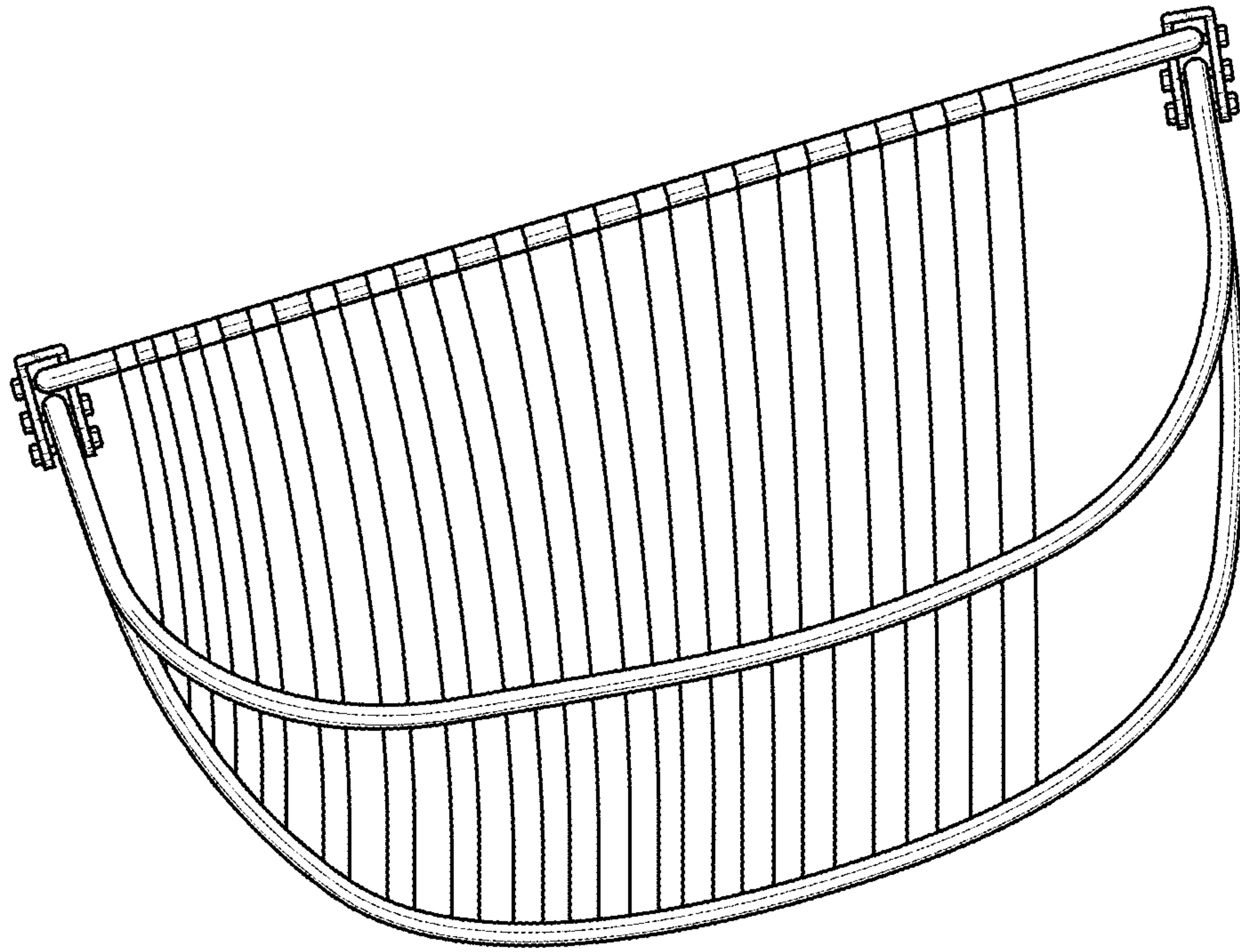


FIG. 4





**FIG. 5**



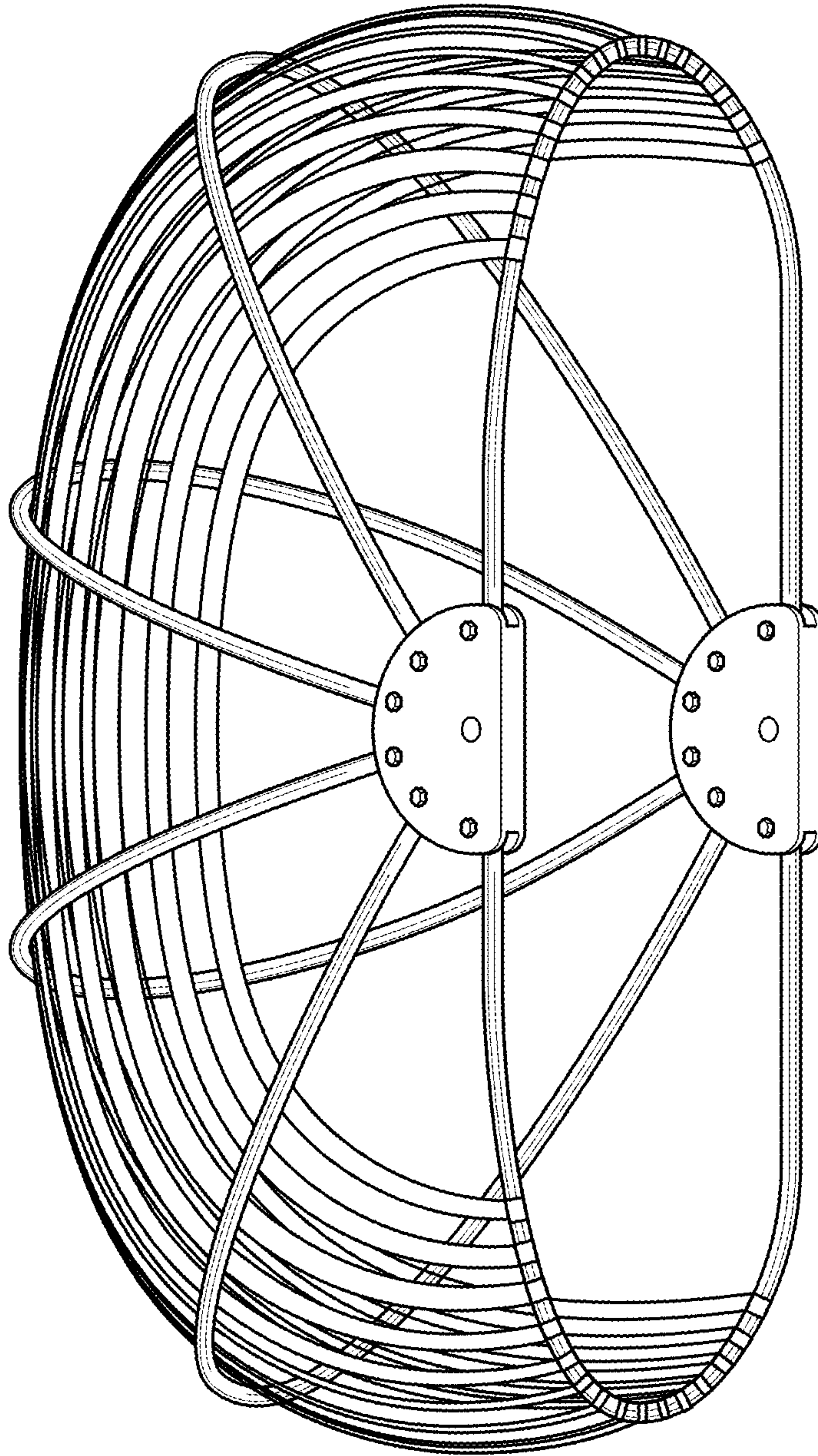


FIG. 6

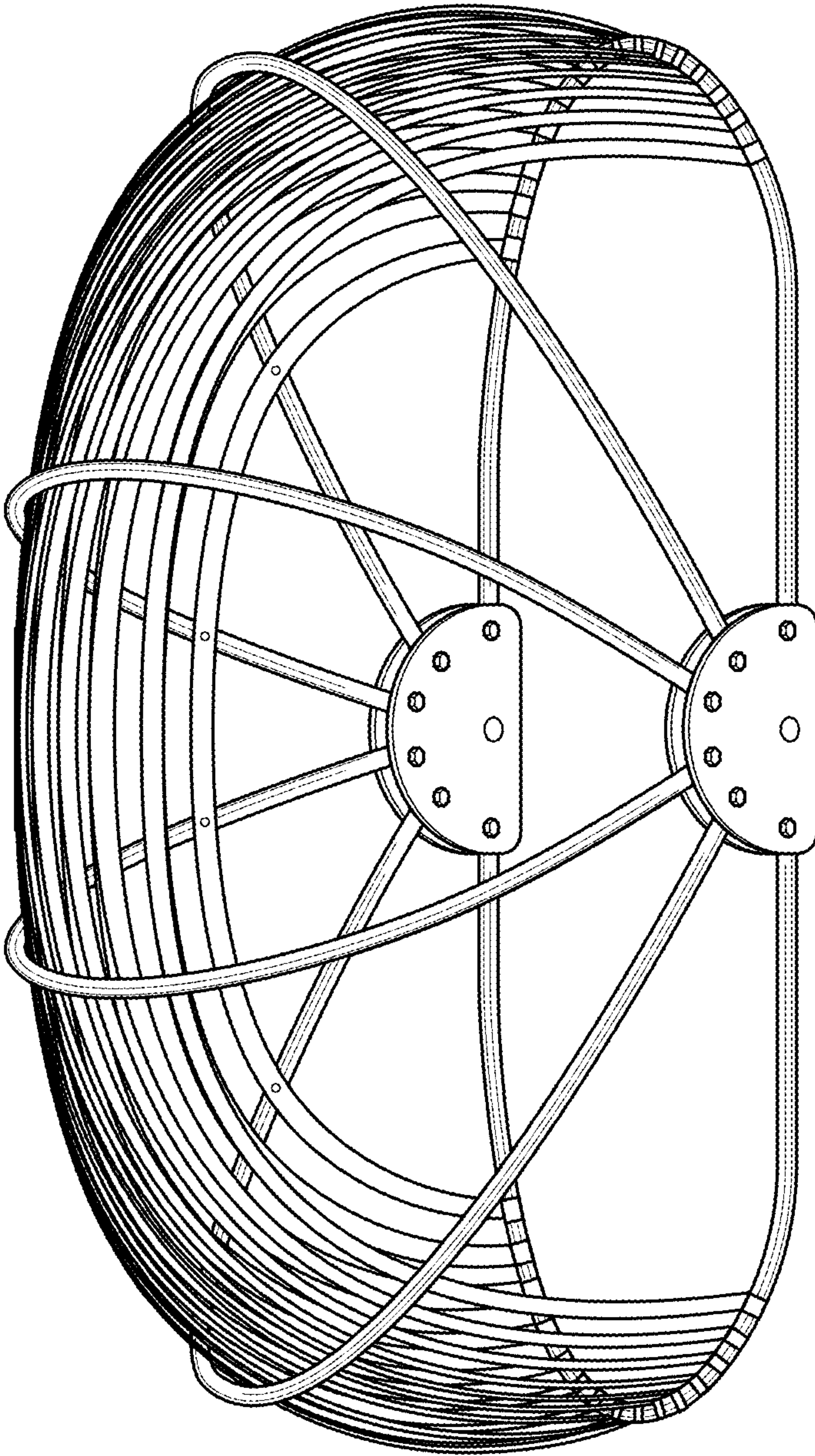


FIG. 7



**FIG. 8**

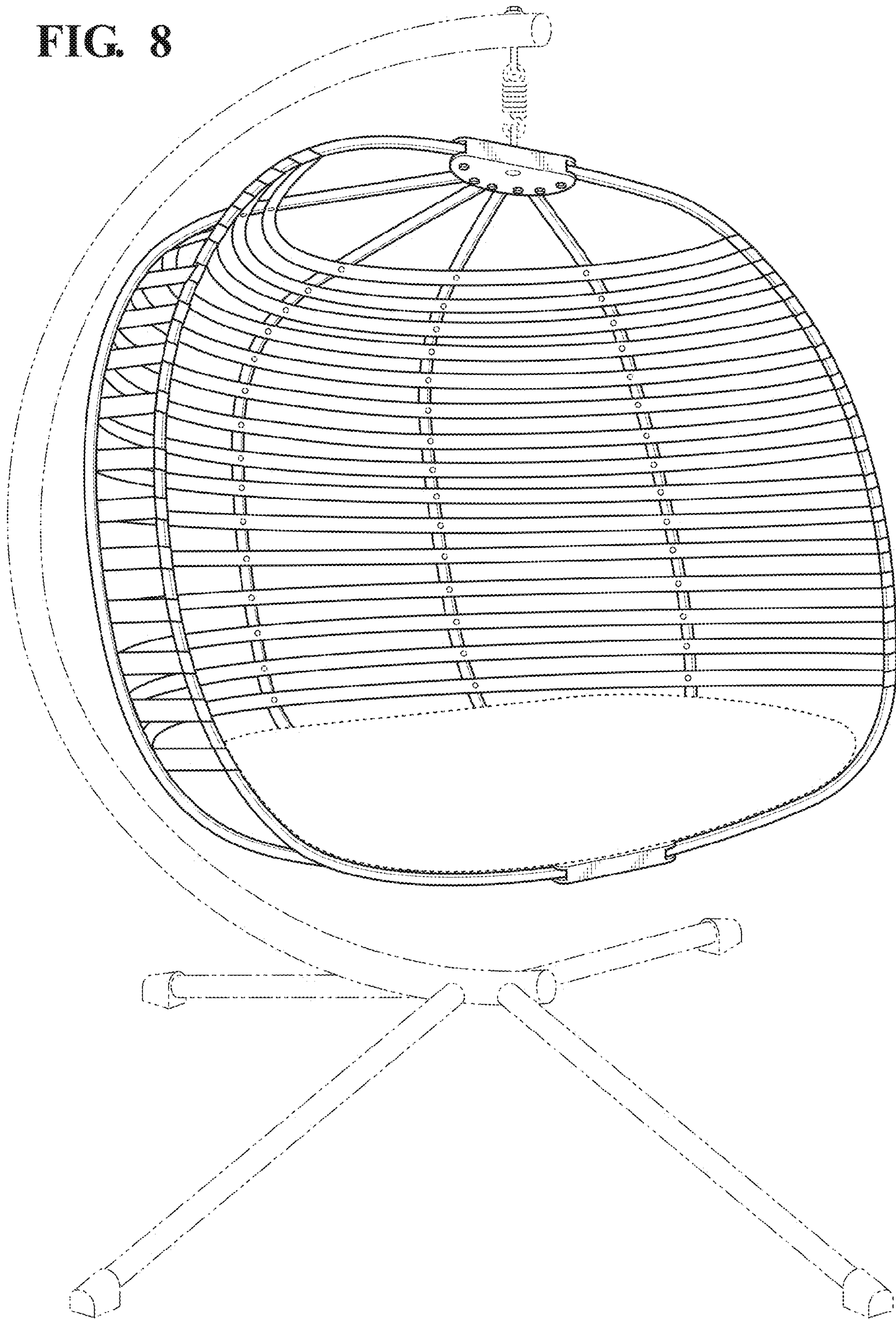
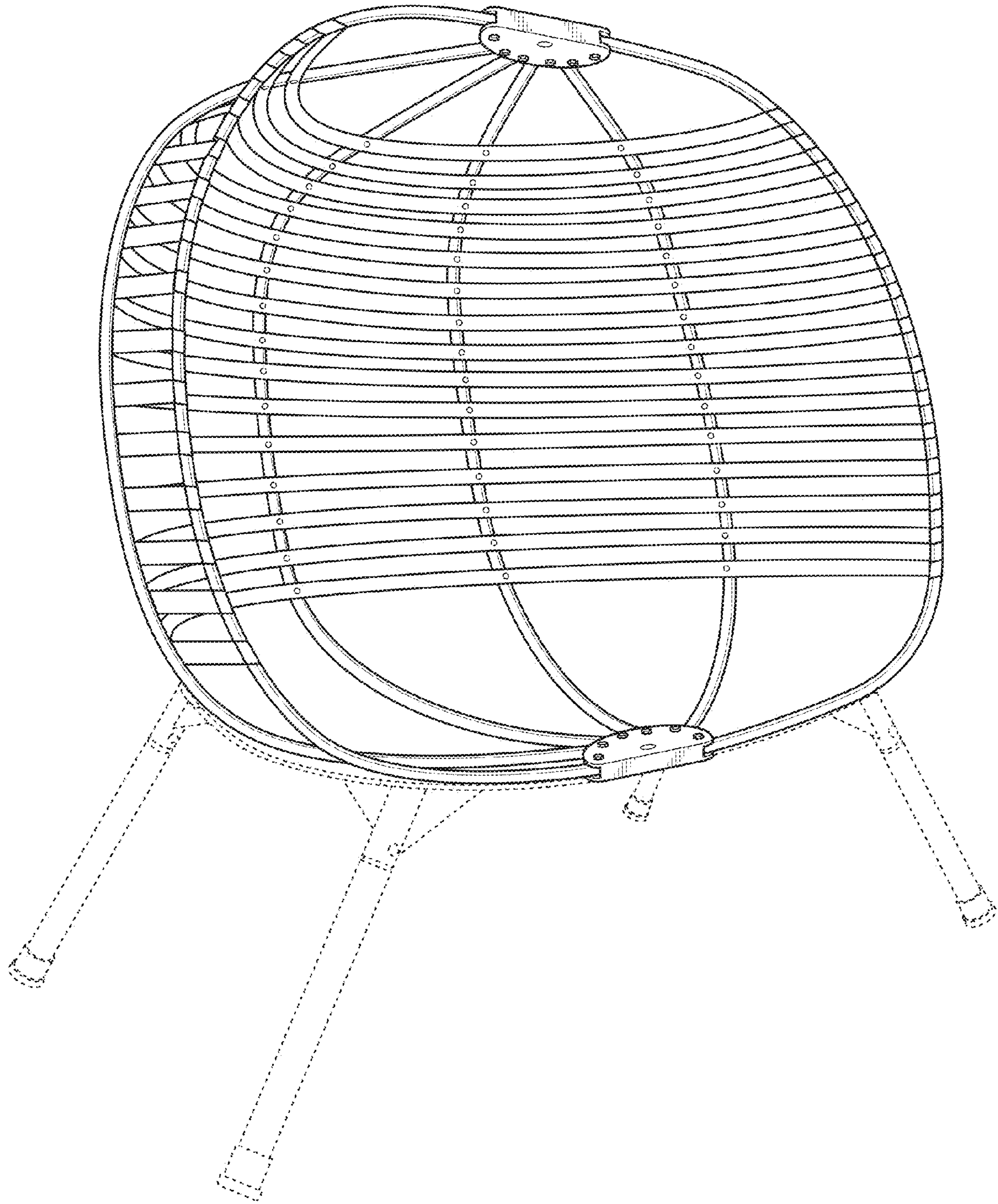


FIG. 9





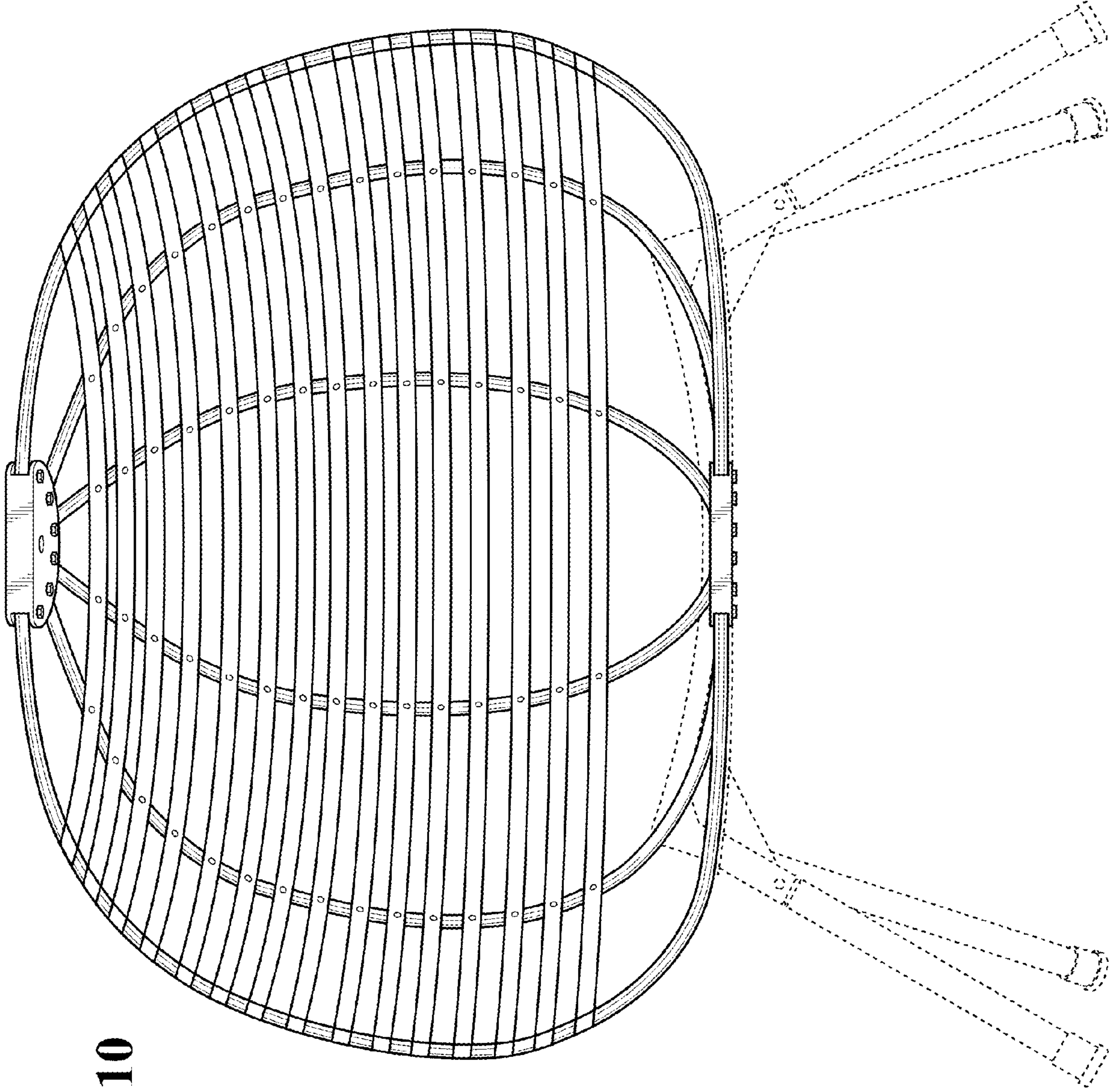


FIG. 10

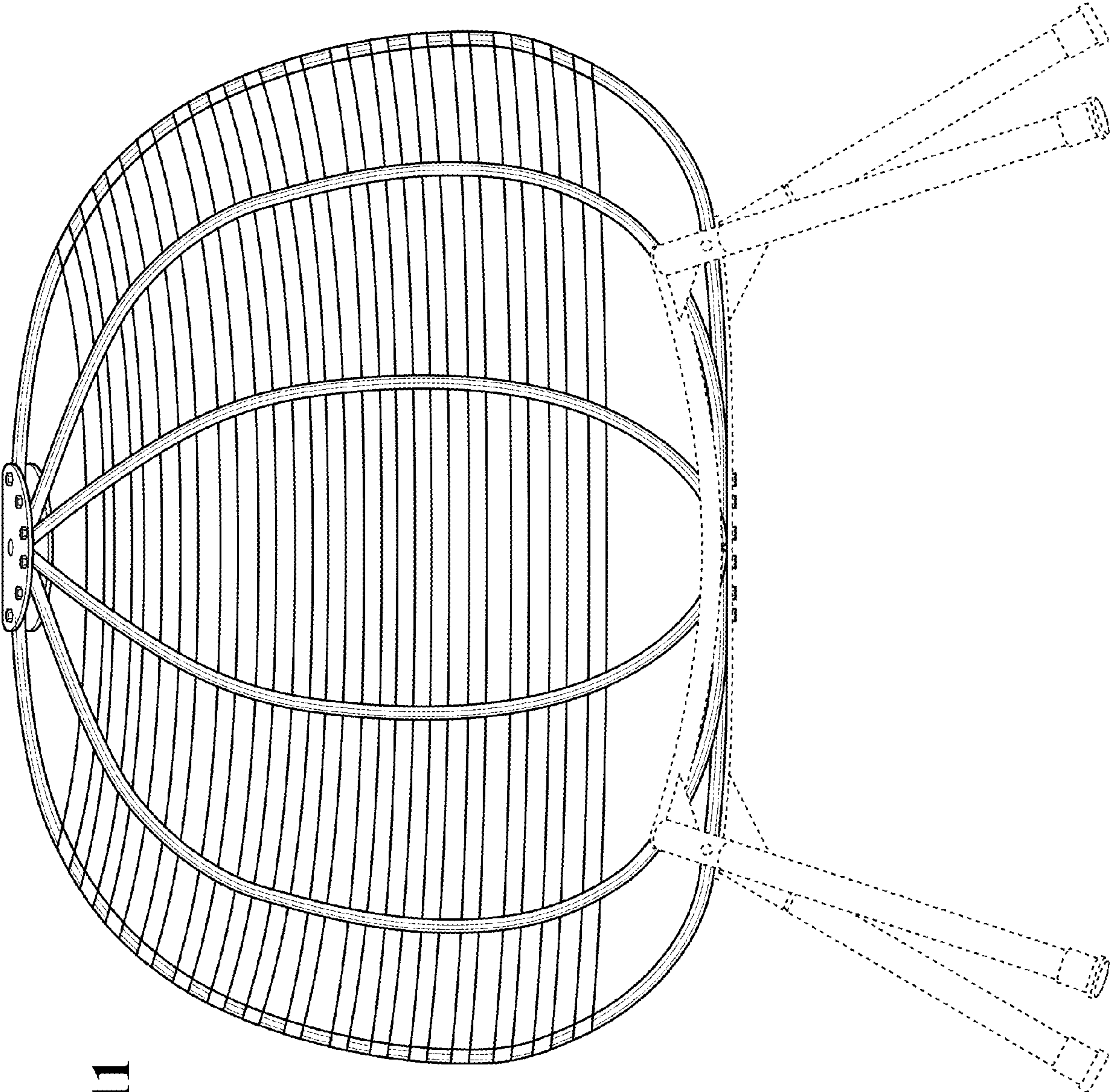


FIG. 11



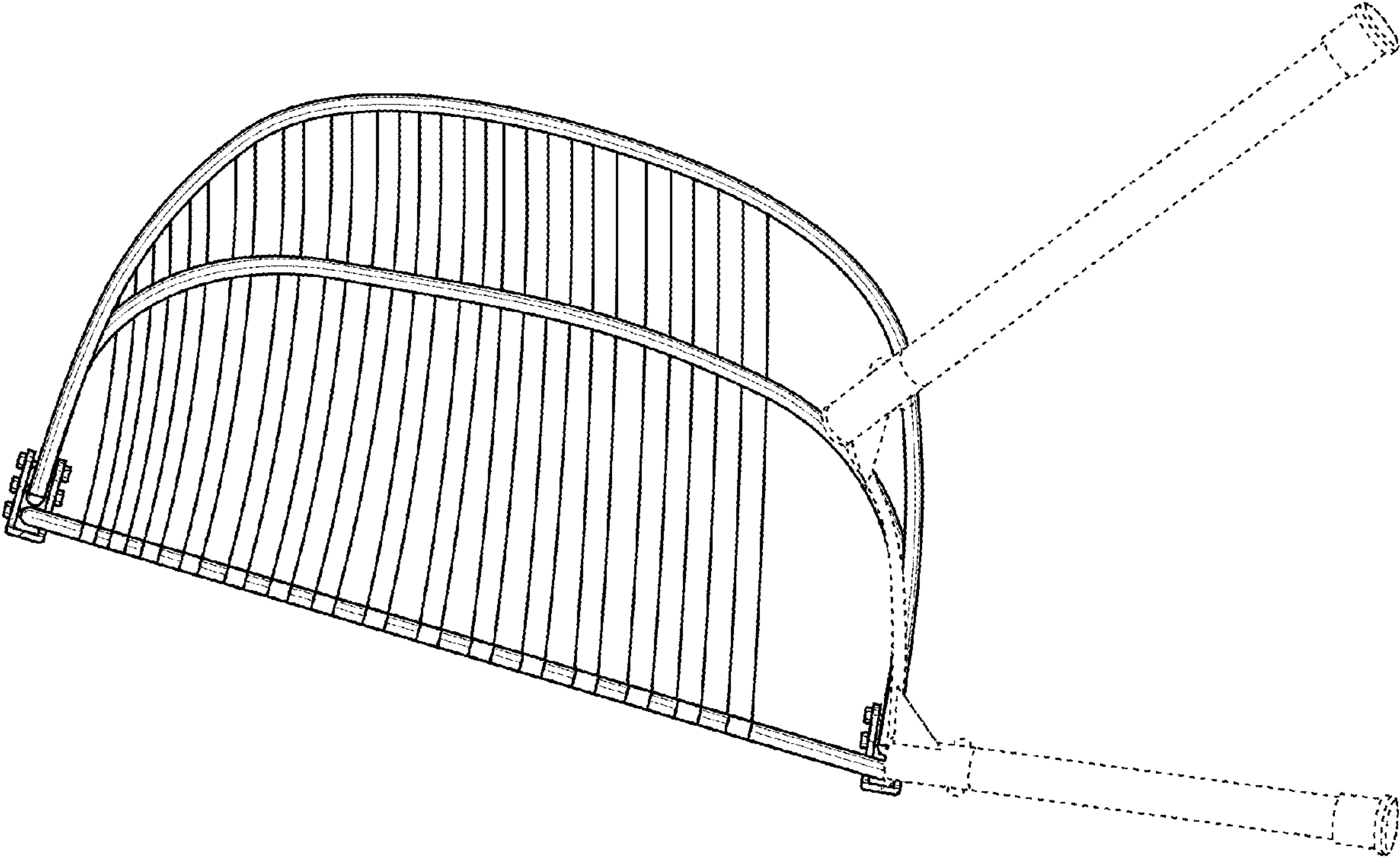


FIG. 12

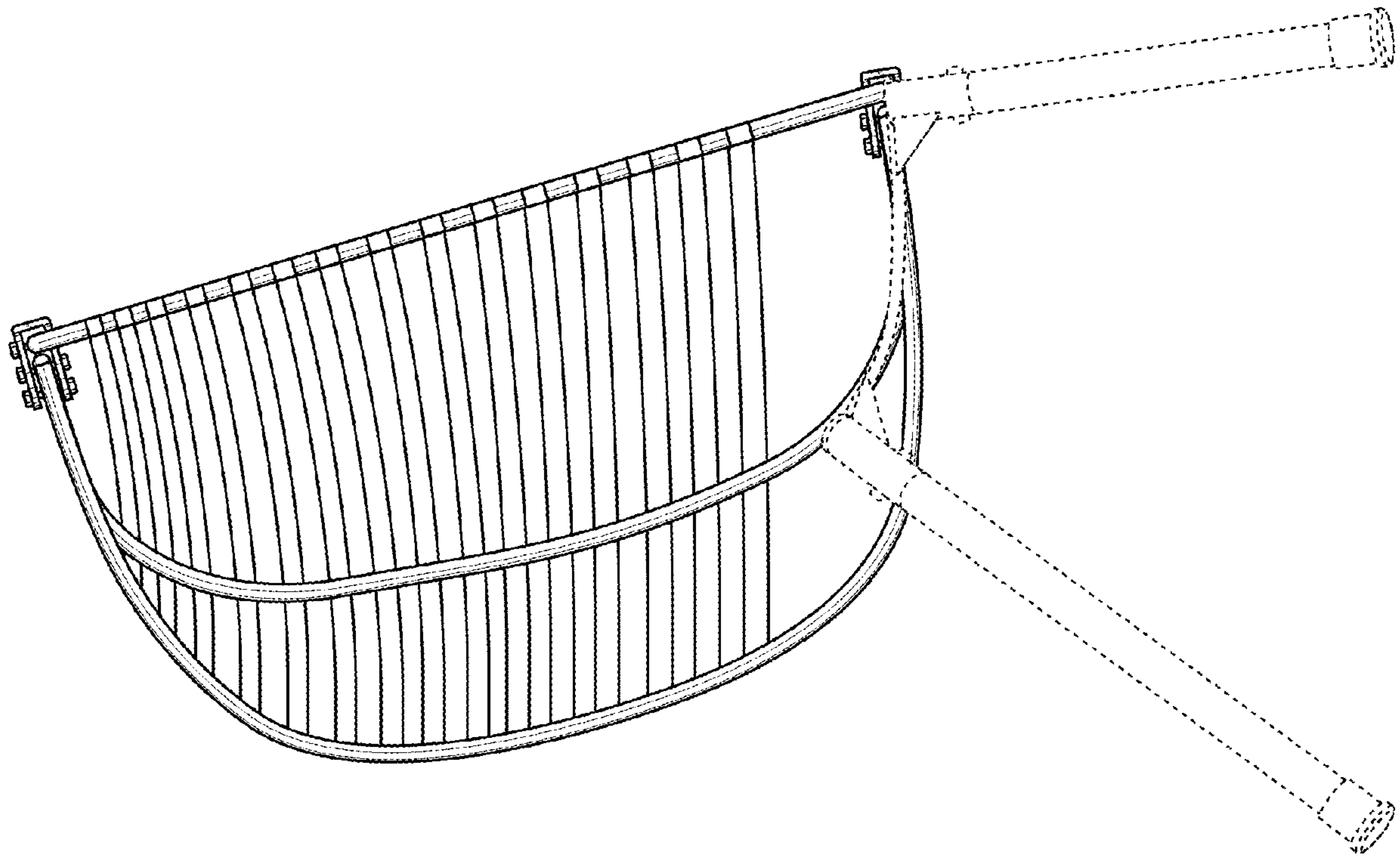


FIG. 13



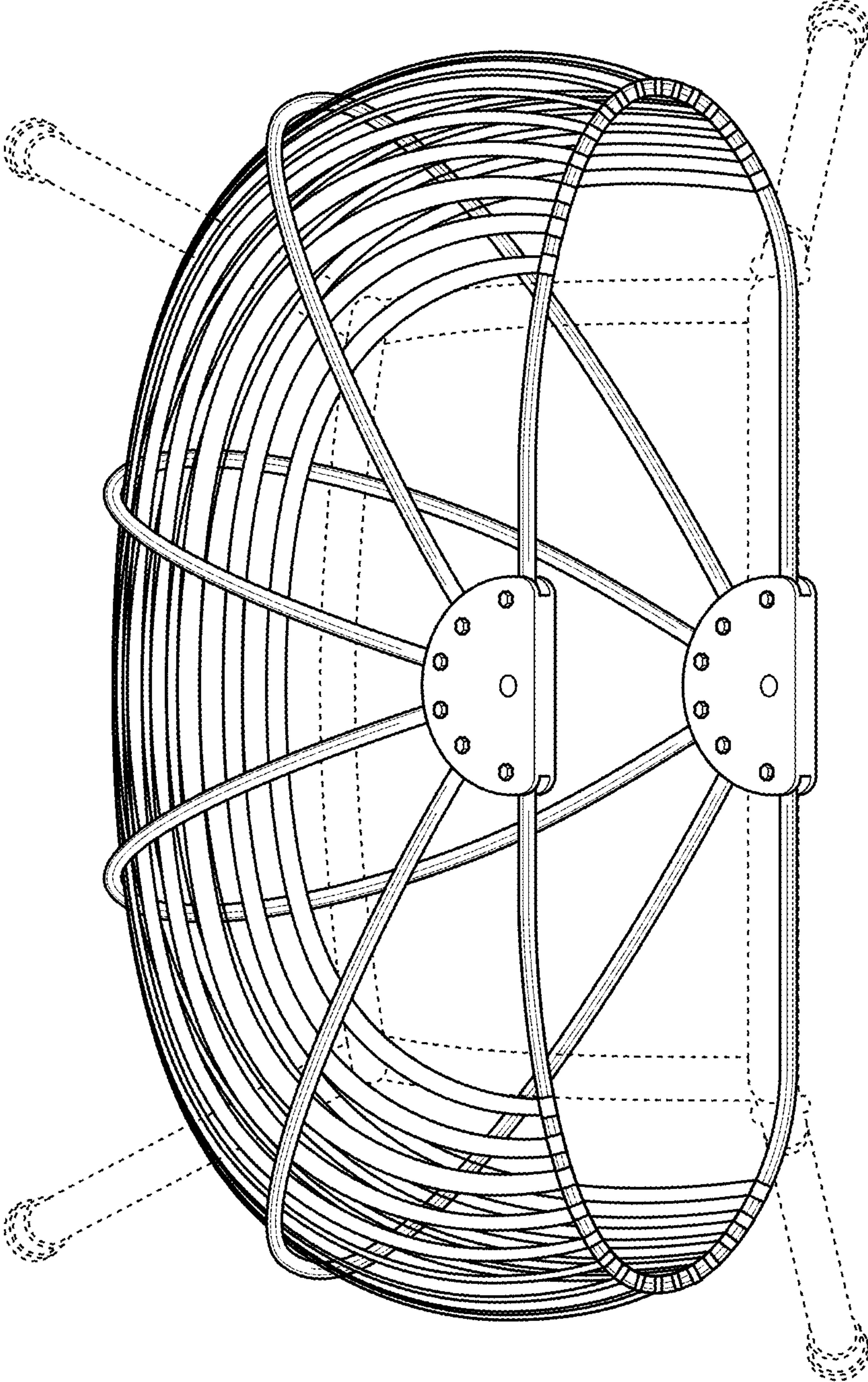


FIG. 14

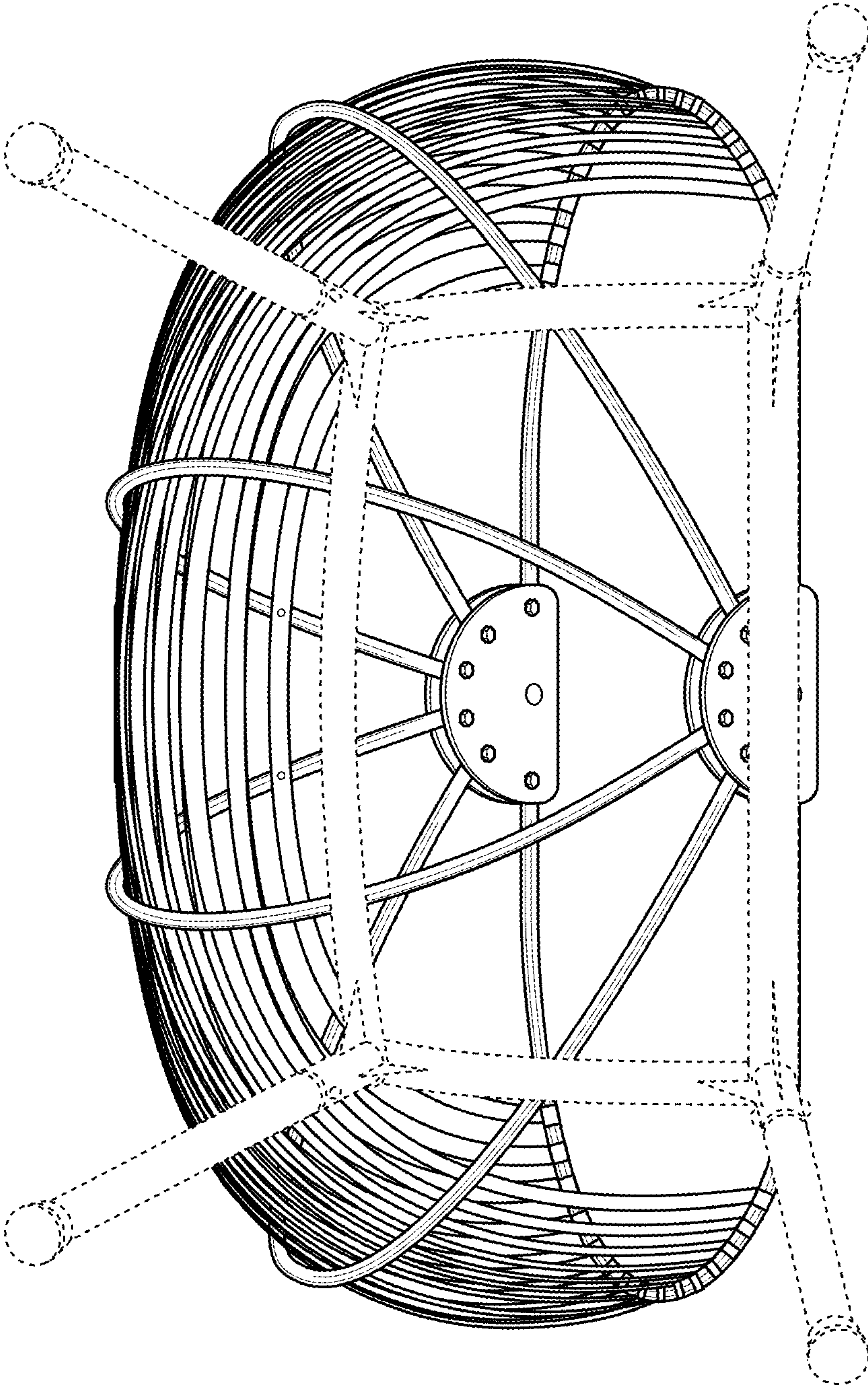


FIG. 15



FIG. 16

