



US00D898394S

(12) **United States Design Patent** (10) **Patent No.:** **US D898,394 S**
Kolberg (45) **Date of Patent:** **** Oct. 13, 2020**

- (54) **OFFICE CHAIR ARMREST**
- (71) Applicant: **BOCK 1 GMBH & CO. KG,**
Postbauer-Heng (DE)
- (72) Inventor: **Justus Kolberg,** Hamburg (DE)
- (73) Assignee: **Bock 1 GmbH & Co. KG,**
Postbauer-Heng (DE)
- (**) Term: **15 Years**
- (21) Appl. No.: **29/656,578**
- (22) Filed: **Jul. 13, 2018**

Related U.S. Application Data

- (62) Division of application No. 35/503,213, filed on May 15, 2017 (U.S. filing date under 35 U.S.C. 384), and having an international filing date of May 15, 2017, now Pat. No. Des. 853,163.

(30) **Foreign Application Priority Data**

- May 15, 2017 (WO) 3389101
- (51) **LOC (12) Cl.** **06-01**
- (52) **U.S. Cl.**
USPC **D6/366; D6/716.2**
- (58) **Field of Classification Search**
USPC D6/334-336, 366, 367, 369, 379, 380,
D6/716, 716.1, 716.2, 716.4
CPC .. A47C 1/03; A47C 7/452; A47C 7/54; A47C
7/543; A47C 7/40; A47C 7/16; A47C
7/022; A47C 7/282
See application file for complete search history.

(56) **References Cited**

U.S. PATENT DOCUMENTS

- D506,336 S * 6/2005 Bock D6/366
- D557,950 S * 12/2007 Lu D6/366
- D606,345 S * 12/2009 Tsai D6/366

- D699,061 S * 2/2014 Smith D6/716.2
- D707,479 S * 6/2014 Egger D6/716.2
- D714,070 S * 9/2014 Cvek D6/366
- 9,084,487 B1 * 7/2015 Su A47C 1/03
- D779,248 S * 2/2017 Welsh D6/716.2
- D803,609 S * 11/2017 Guelfo D6/716.2
- D816,381 S * 5/2018 Su D6/716.2
- D829,033 S * 9/2018 Peterson D6/716.2

(Continued)

Primary Examiner — Jennifer L Rempfer

(74) *Attorney, Agent, or Firm* — Laurence A. Greenberg;
Werner H. Stemer; Ralph E. Locher

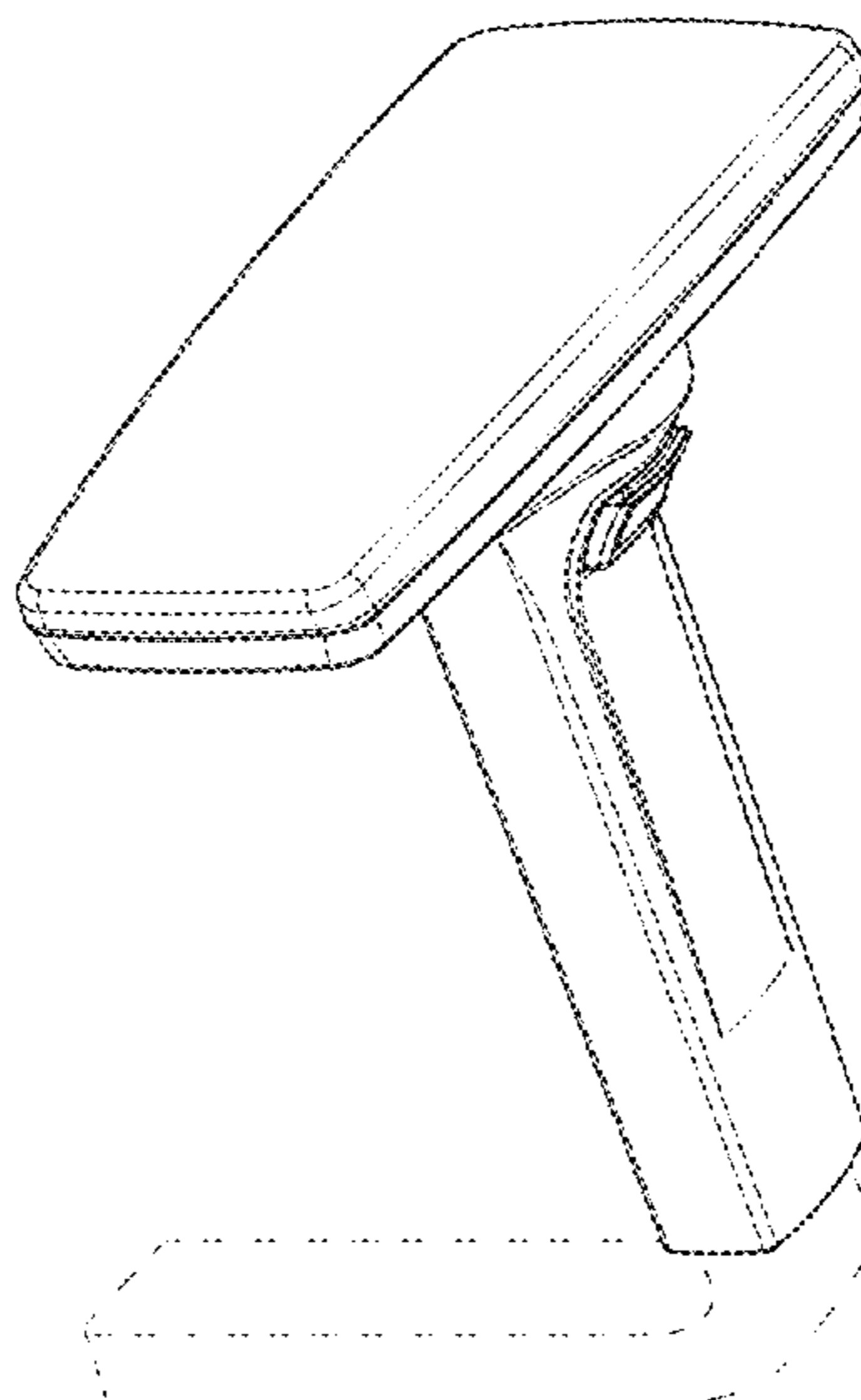
(57) **CLAIM**

The ornamental design for an office chair armrest, as shown and described.

DESCRIPTION

FIG. 1 is a front elevation view of the office chair armrest showing my new design;
 FIG. 2 is a rear elevation view thereof;
 FIG. 3 is a left elevation view thereof;
 FIG. 4 is a right side elevation view thereof;
 FIG. 5 is a top plan view thereof;
 FIG. 6 is a bottom plan view thereof;
 FIG. 7 is a front perspective view thereof;
 FIG. 8 is a rear perspective view thereof; and
 FIG. 9 is a front elevation view of a second embodiment of the office chair armrest showing my new design;
 FIG. 10 is a rear elevation view thereof;
 FIG. 11 is a left side elevation view thereof;
 FIG. 12 is a right side elevation view thereof;
 FIG. 13 is a top plan view thereof;
 FIG. 14 is a bottom plan view thereof;
 FIG. 15 is a front perspective view thereof; and
 FIG. 16 is a rear perspective view thereof.
 The broken lines shown in the drawings represent portions of the office chair armrest that form no part of the claimed design.

1 Claim, 16 Drawing Sheets



(56)

References Cited

U.S. PATENT DOCUMENTS

D832,018 S * 10/2018 Cassaday D6/716.2
D865,423 S * 11/2019 Kinoshita D6/716.2
10,537,176 B2 * 1/2020 Bock A47C 1/0308
2006/0238011 A1 * 10/2006 Bedford A47C 1/03
297/411.35
2009/0108660 A1 * 4/2009 Weber A47C 1/03
297/411.36
2009/0278393 A1 * 11/2009 He A47C 1/03
297/411.35
2010/0007190 A1 * 1/2010 Johnson A47C 7/40
297/440.15
2014/0265493 A1 * 9/2014 Machael A47C 7/445
297/285
2015/0130250 A1 * 5/2015 Masunaga A47C 7/54
297/411.36
2015/0298587 A1 * 10/2015 Machael A47C 1/03
297/411.38

* cited by examiner

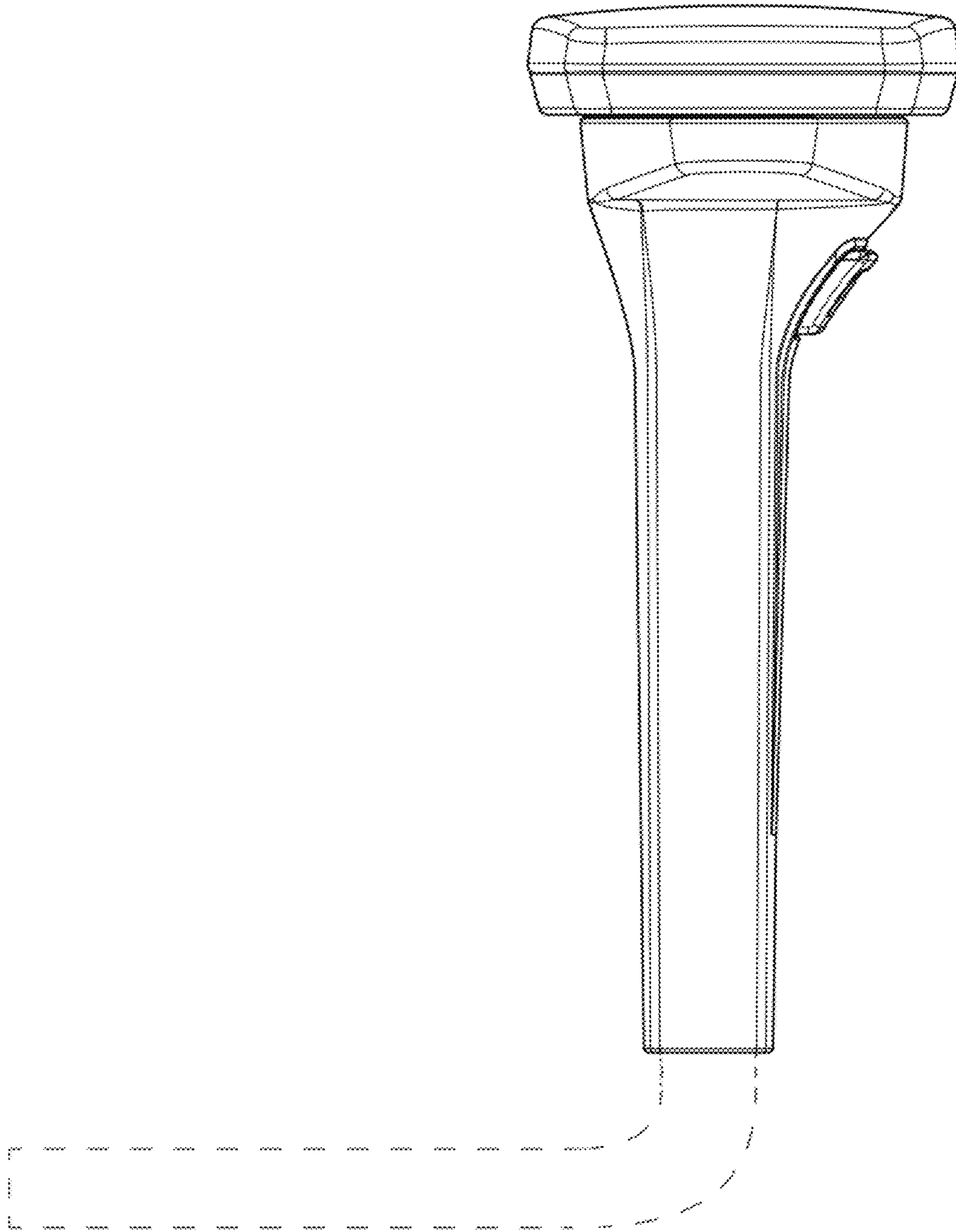


FIG. 1

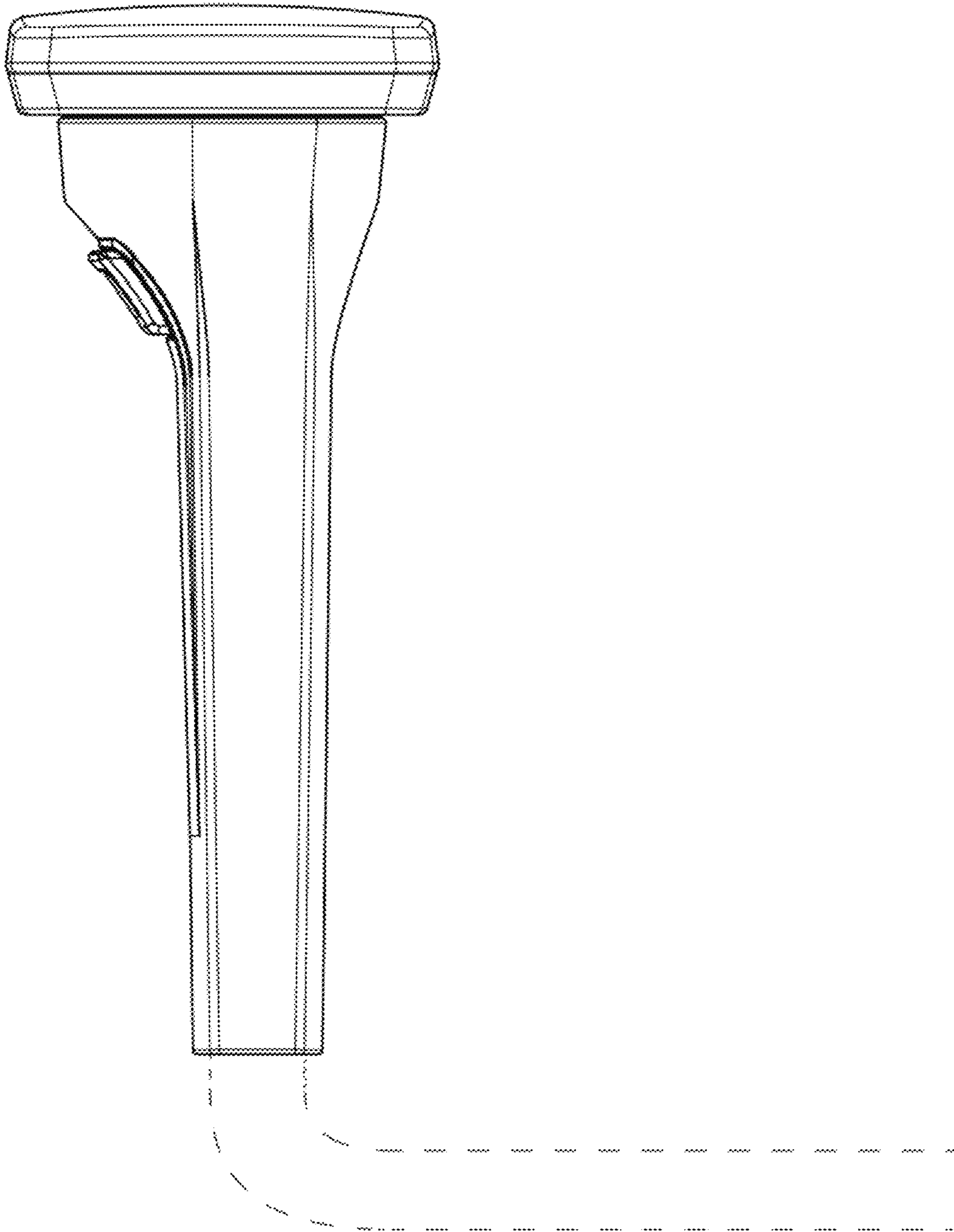


FIG. 2

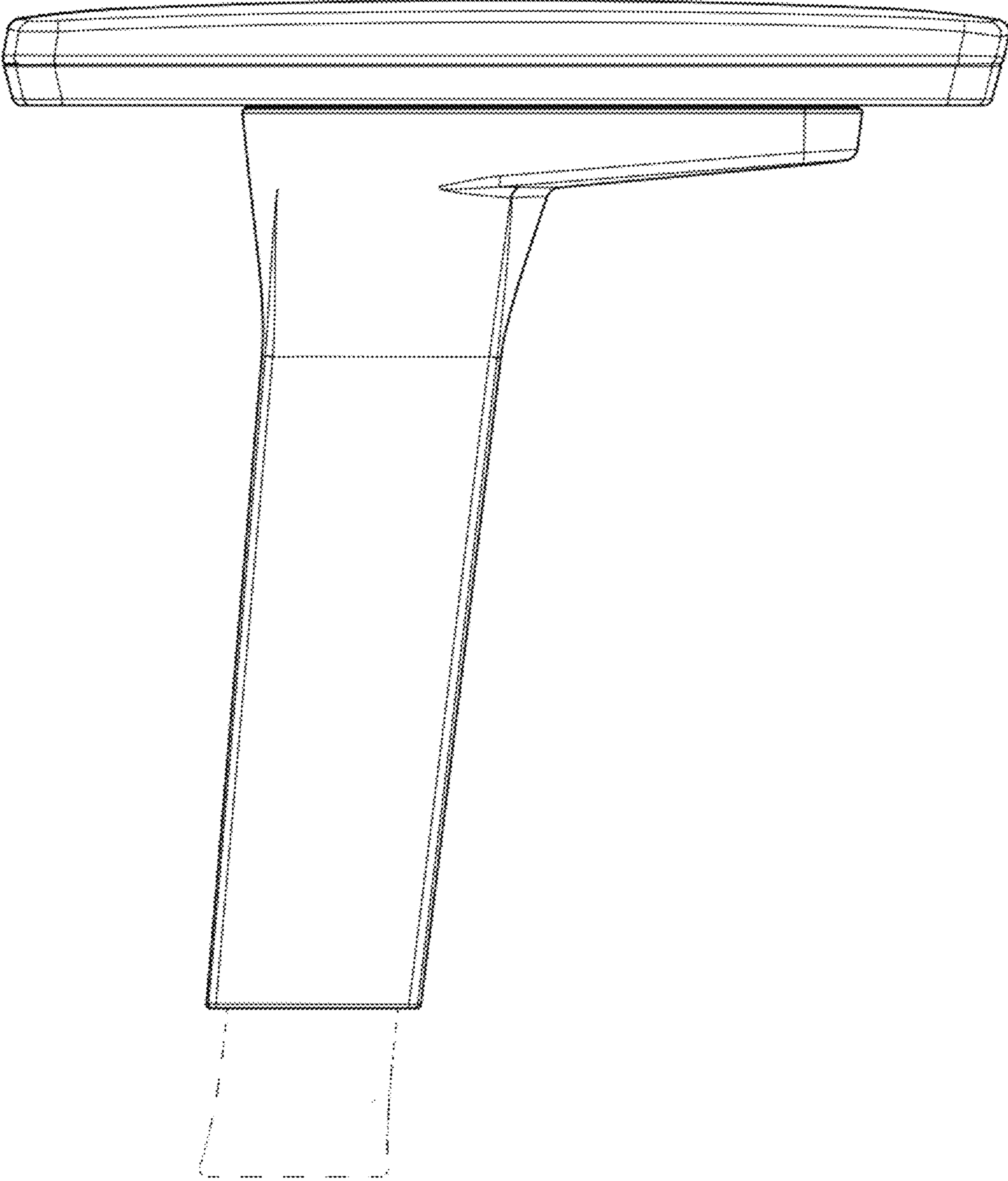


FIG. 3

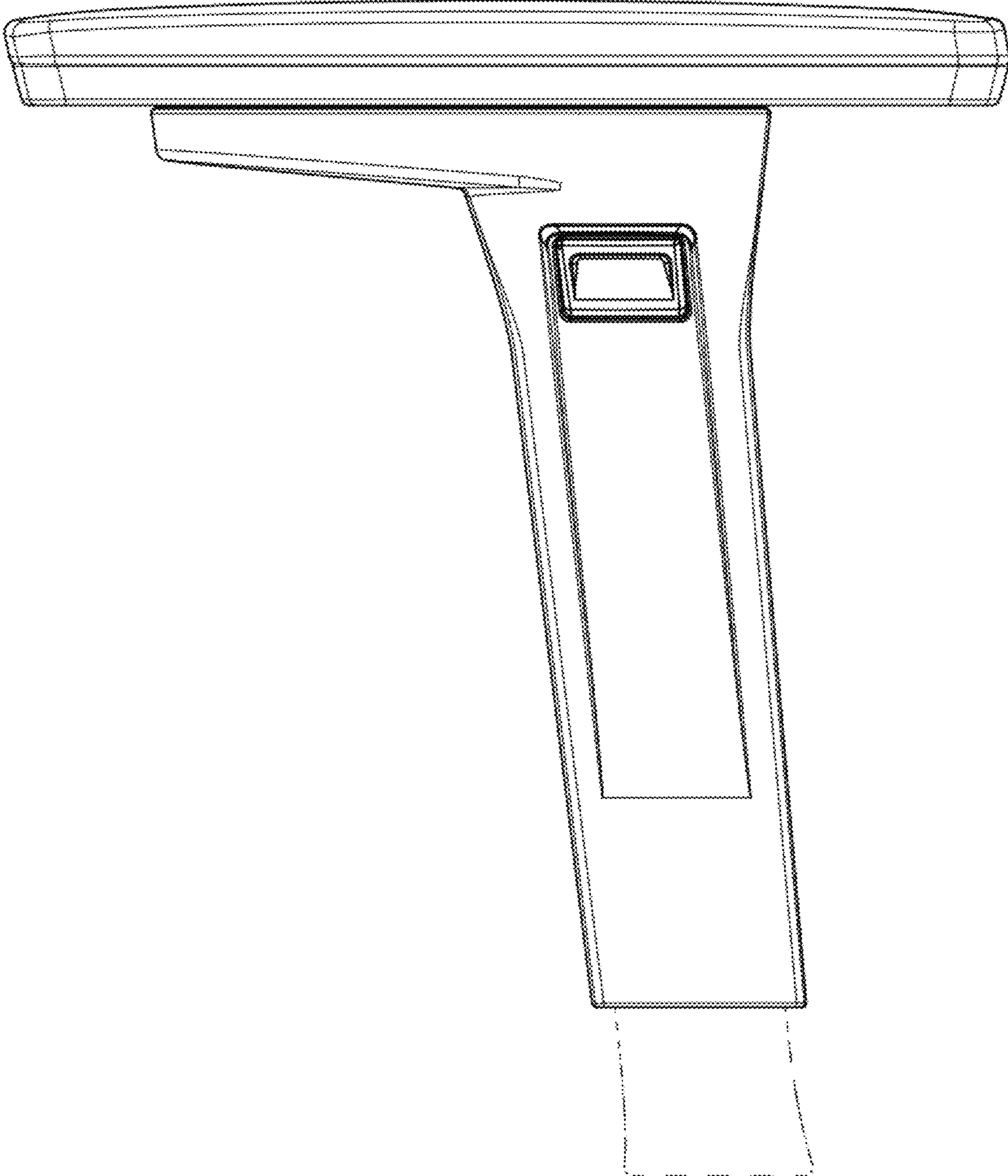


FIG. 4

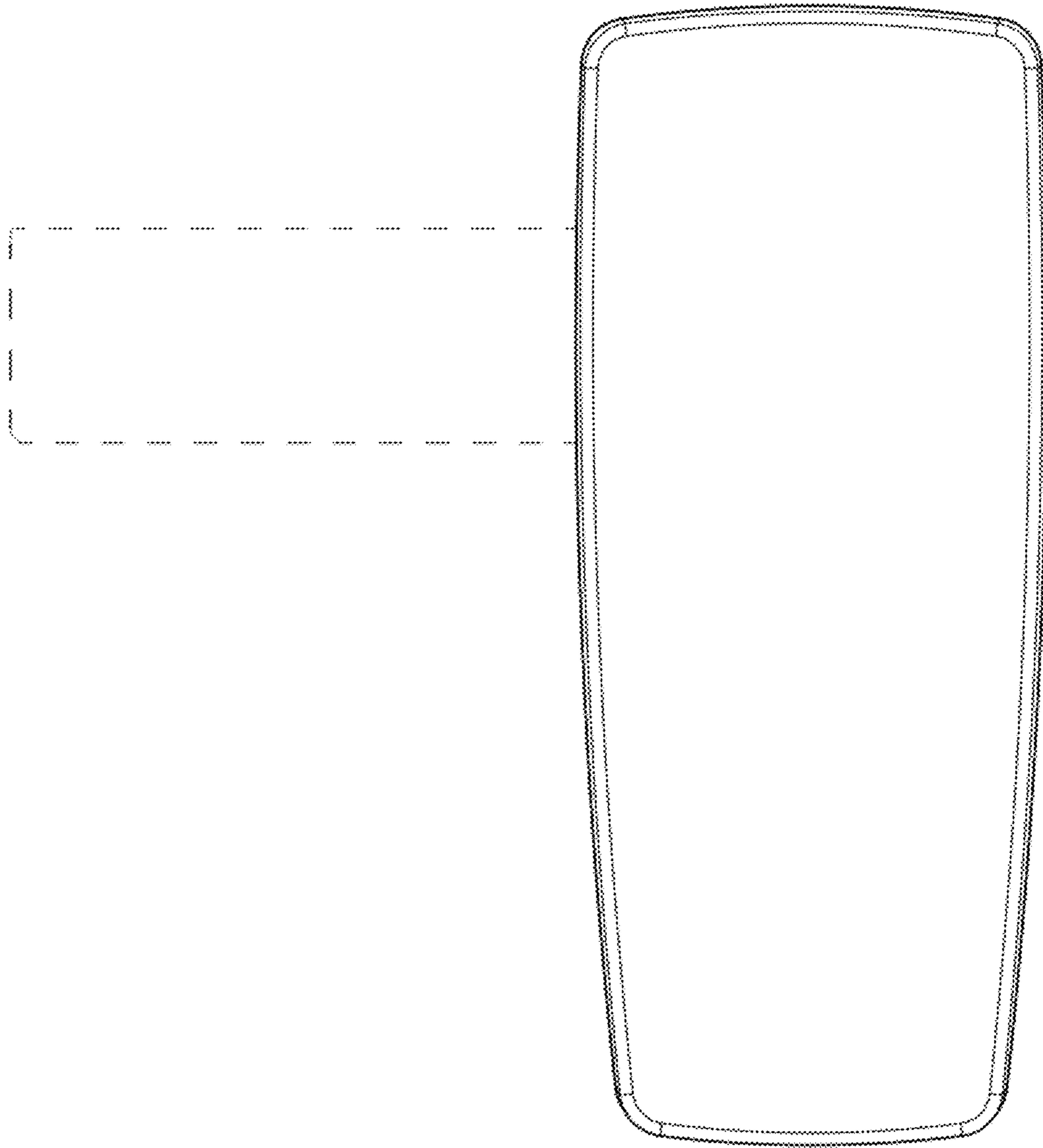


FIG. 5

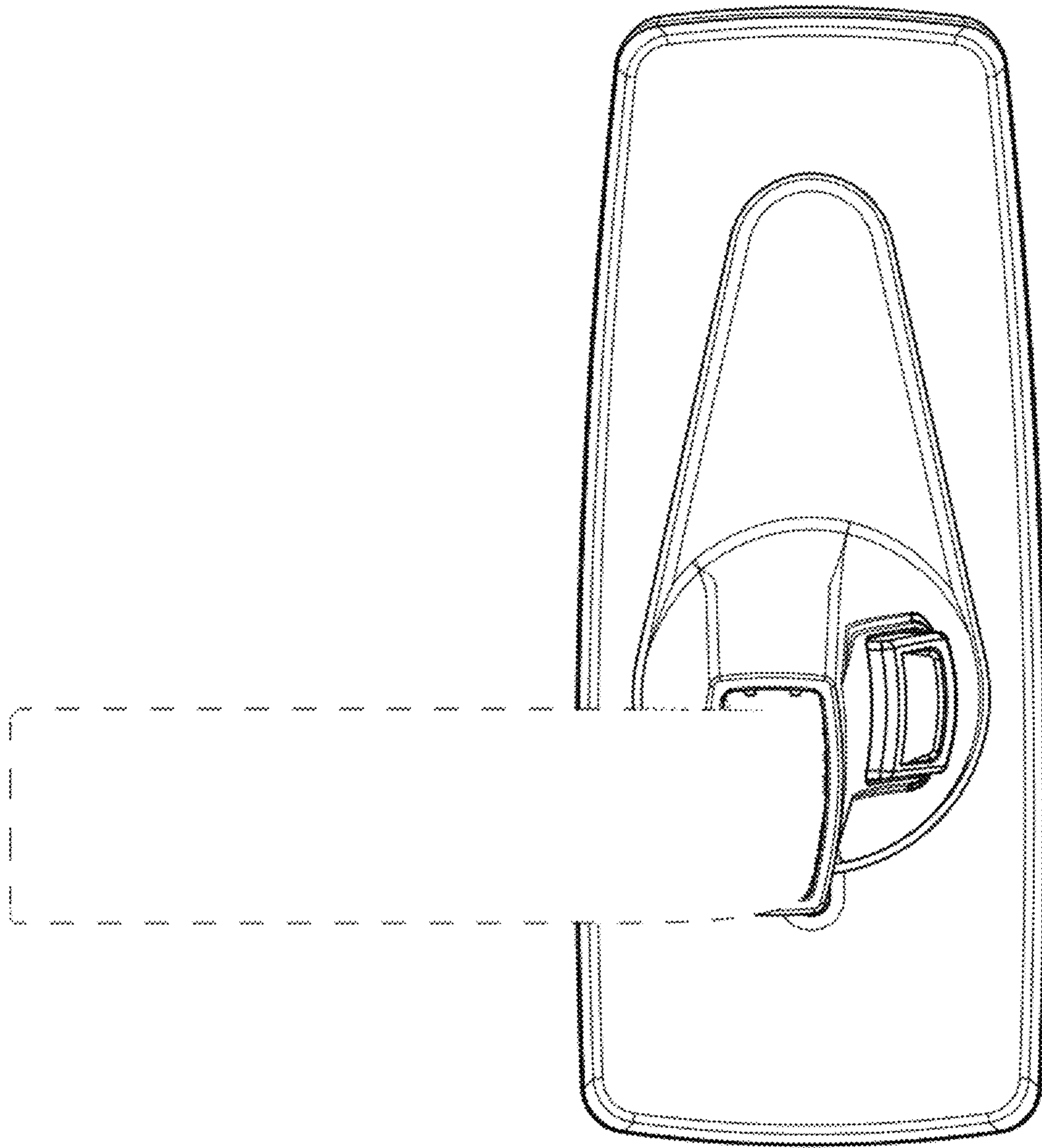


FIG. 6

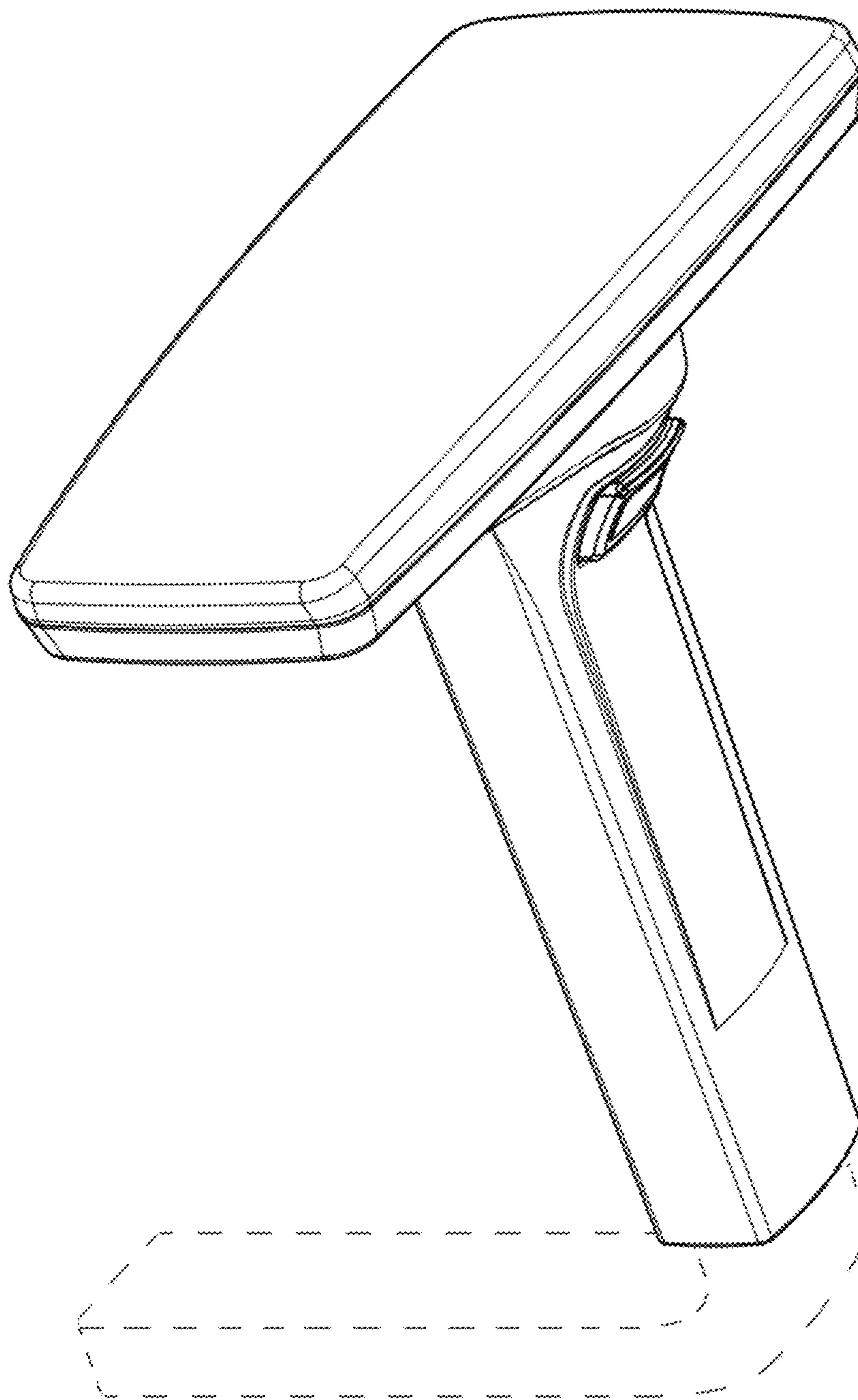


FIG. 7

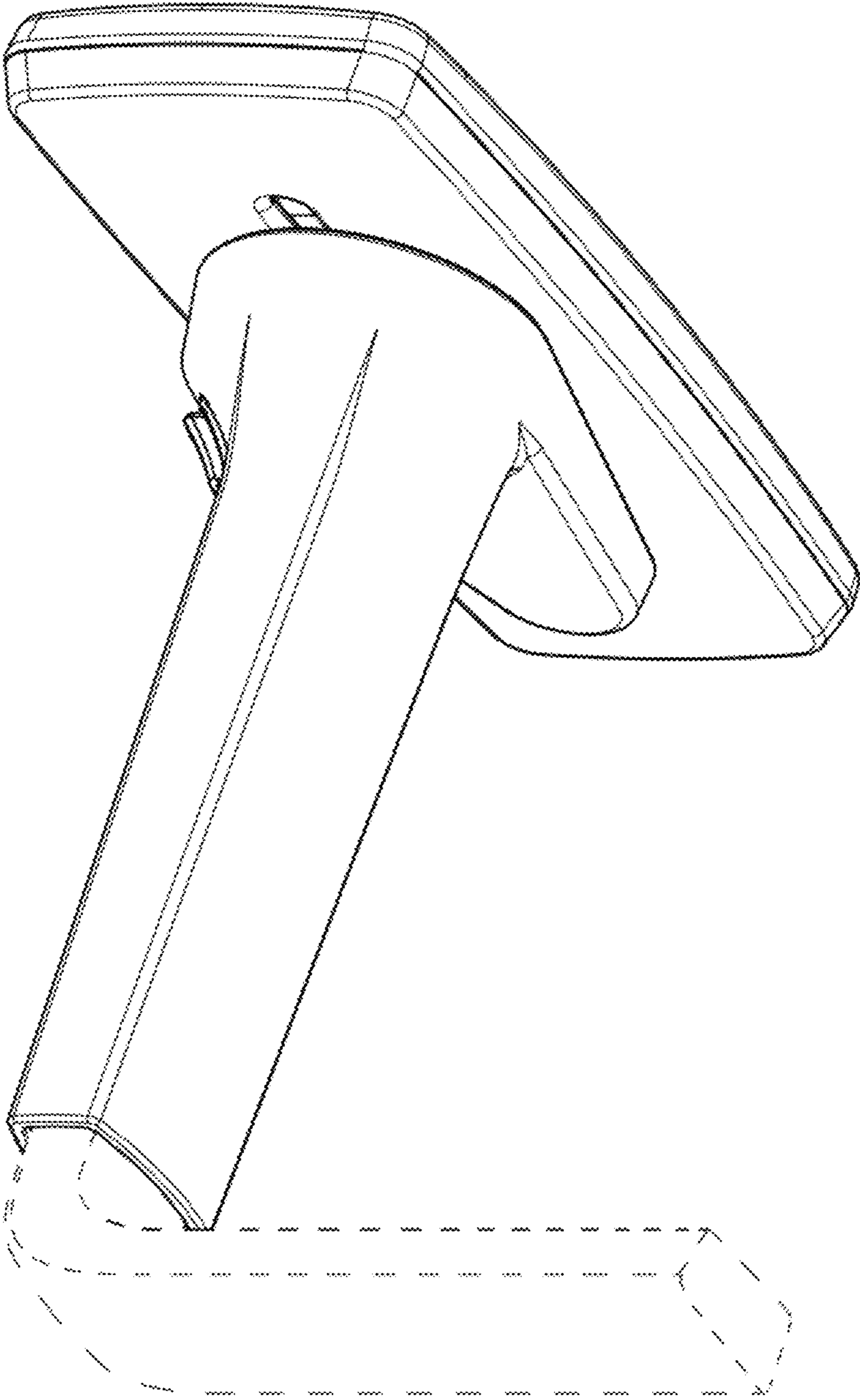


FIG. 8

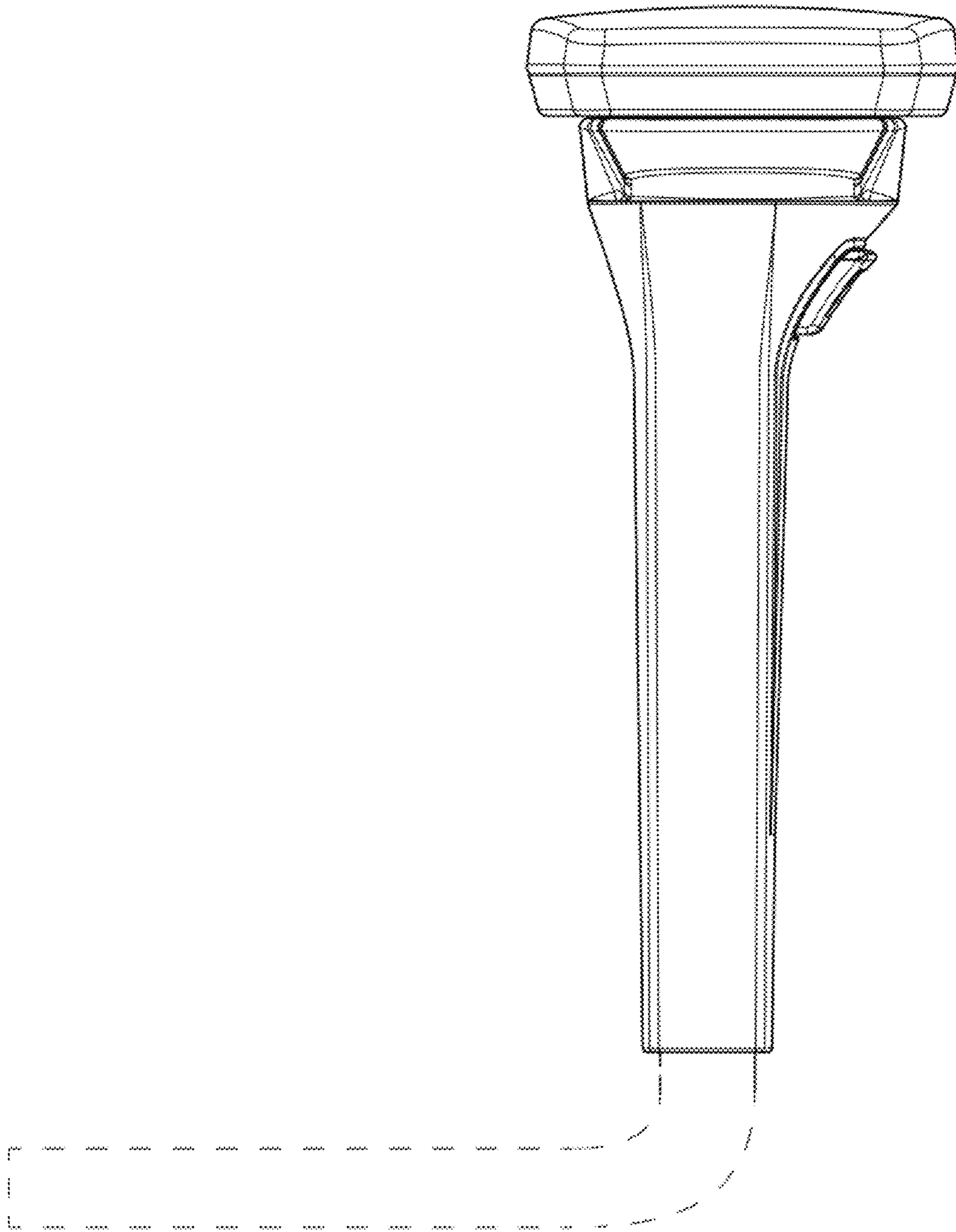


FIG. 9

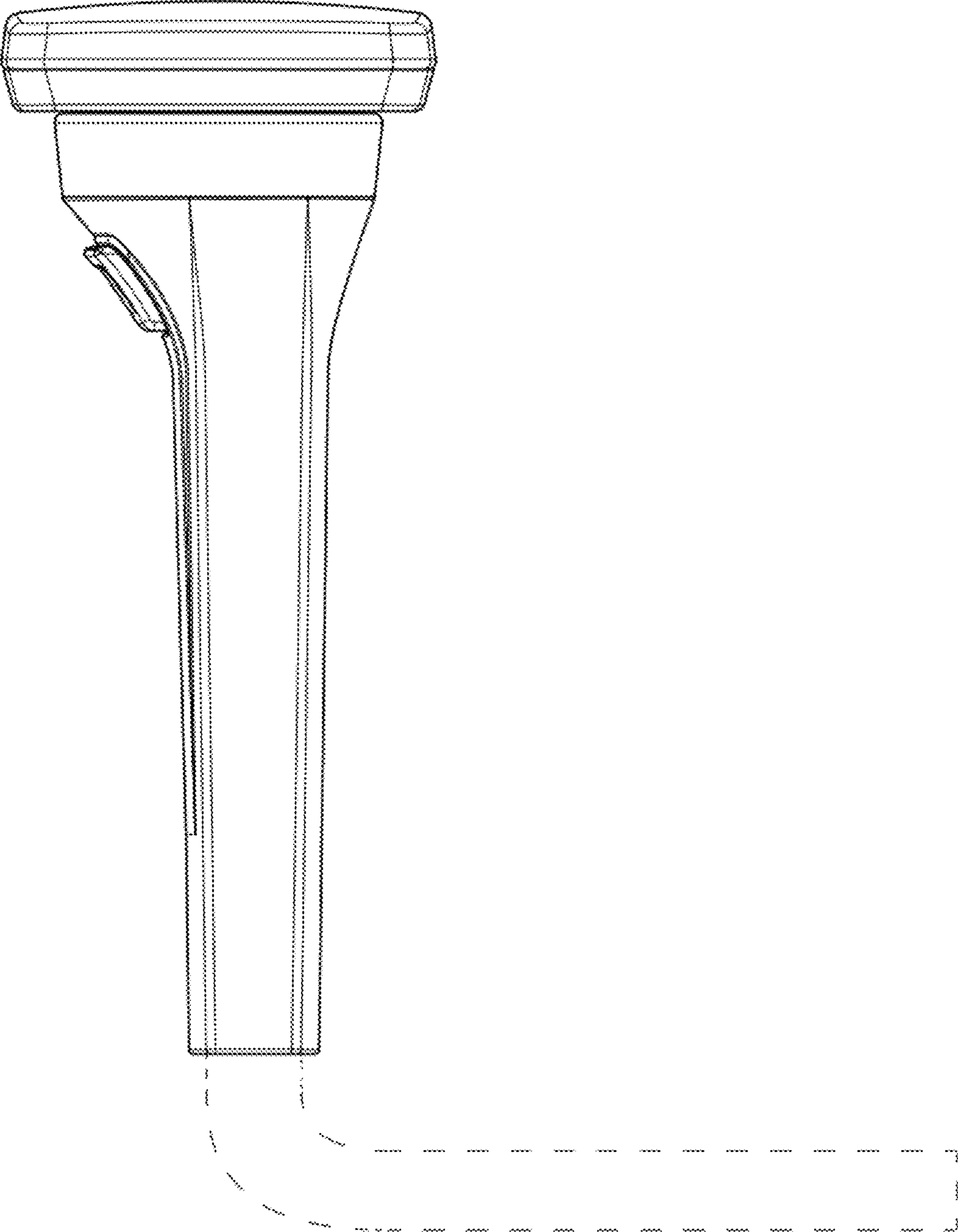


FIG. 10

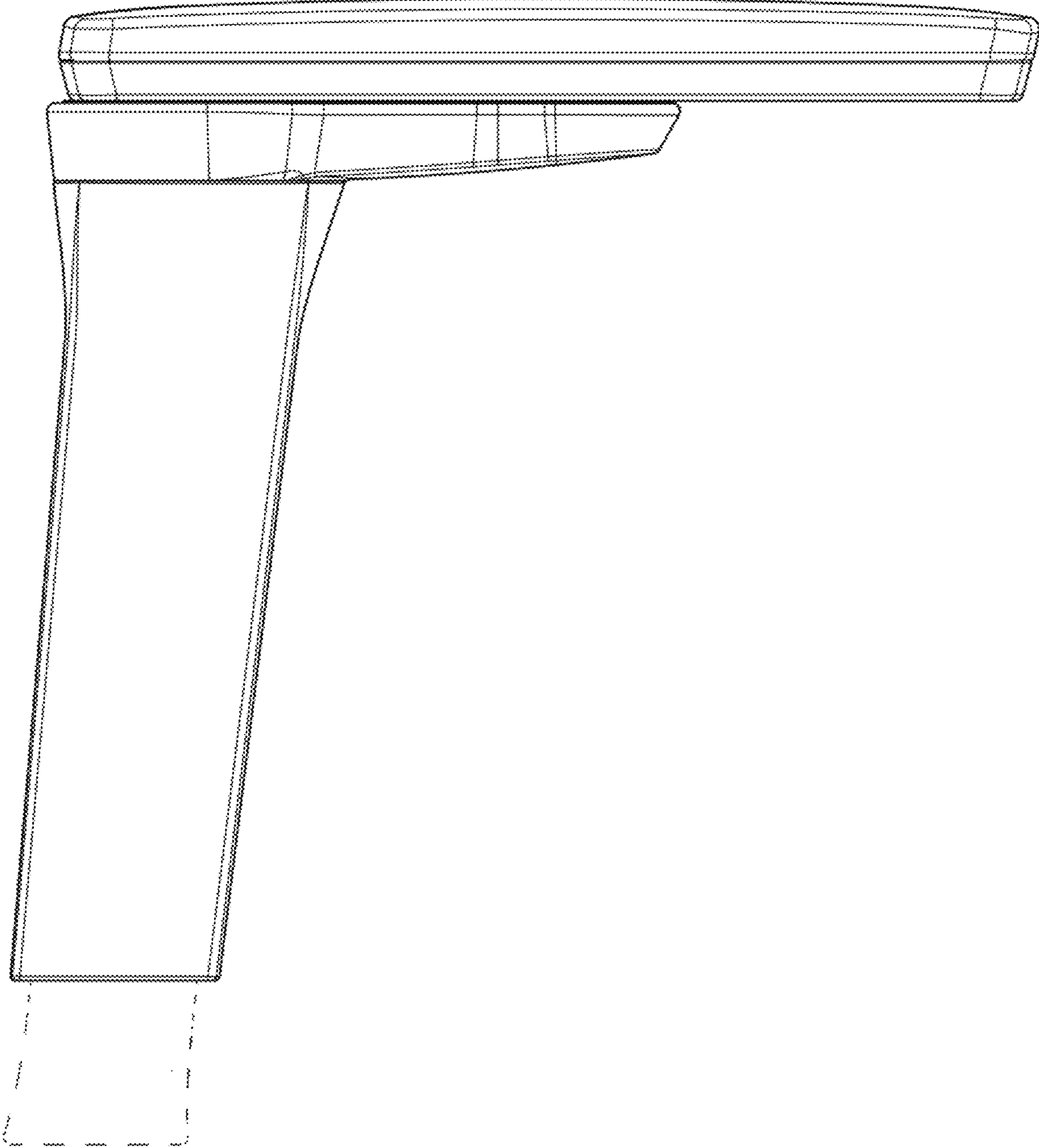


FIG. 11

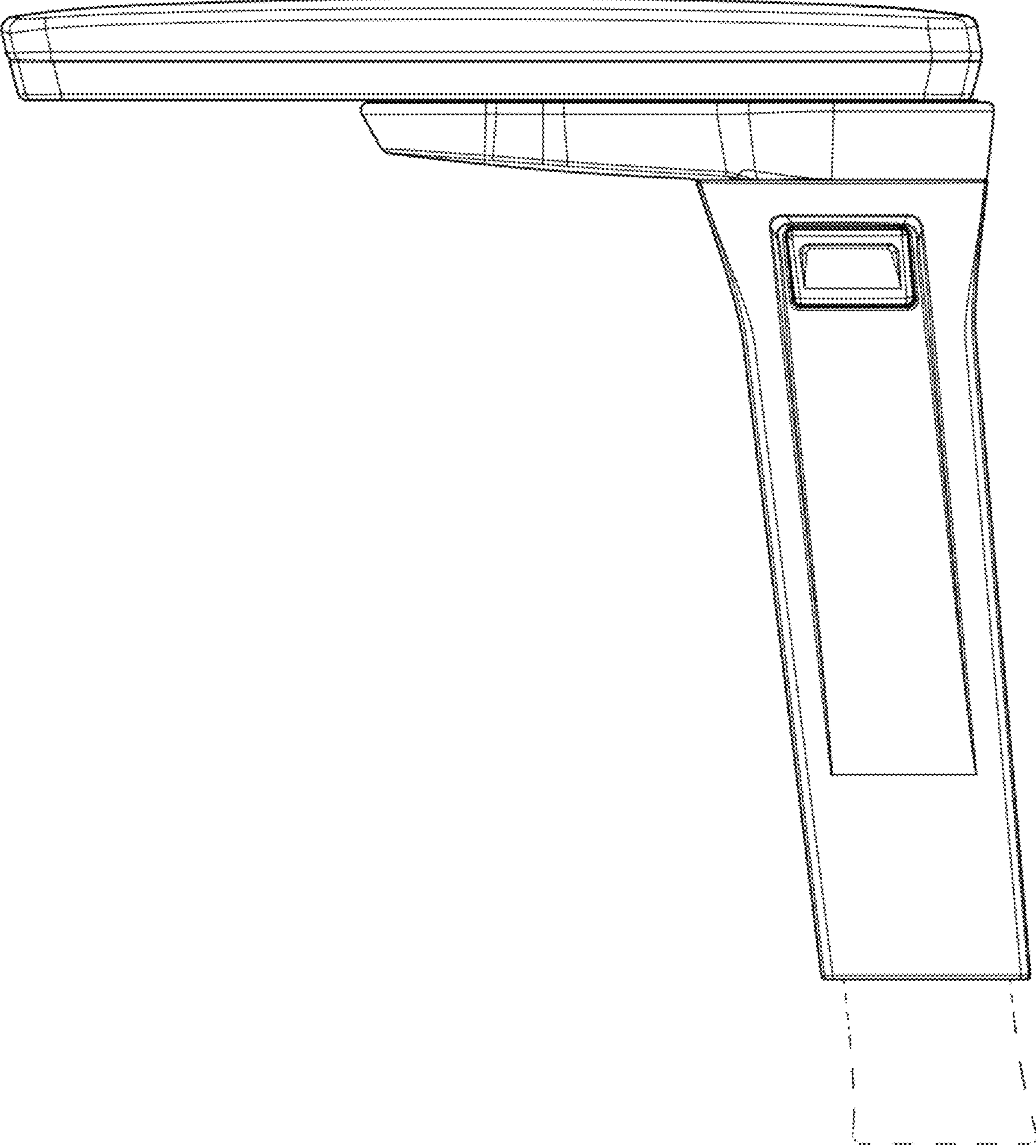


FIG. 12

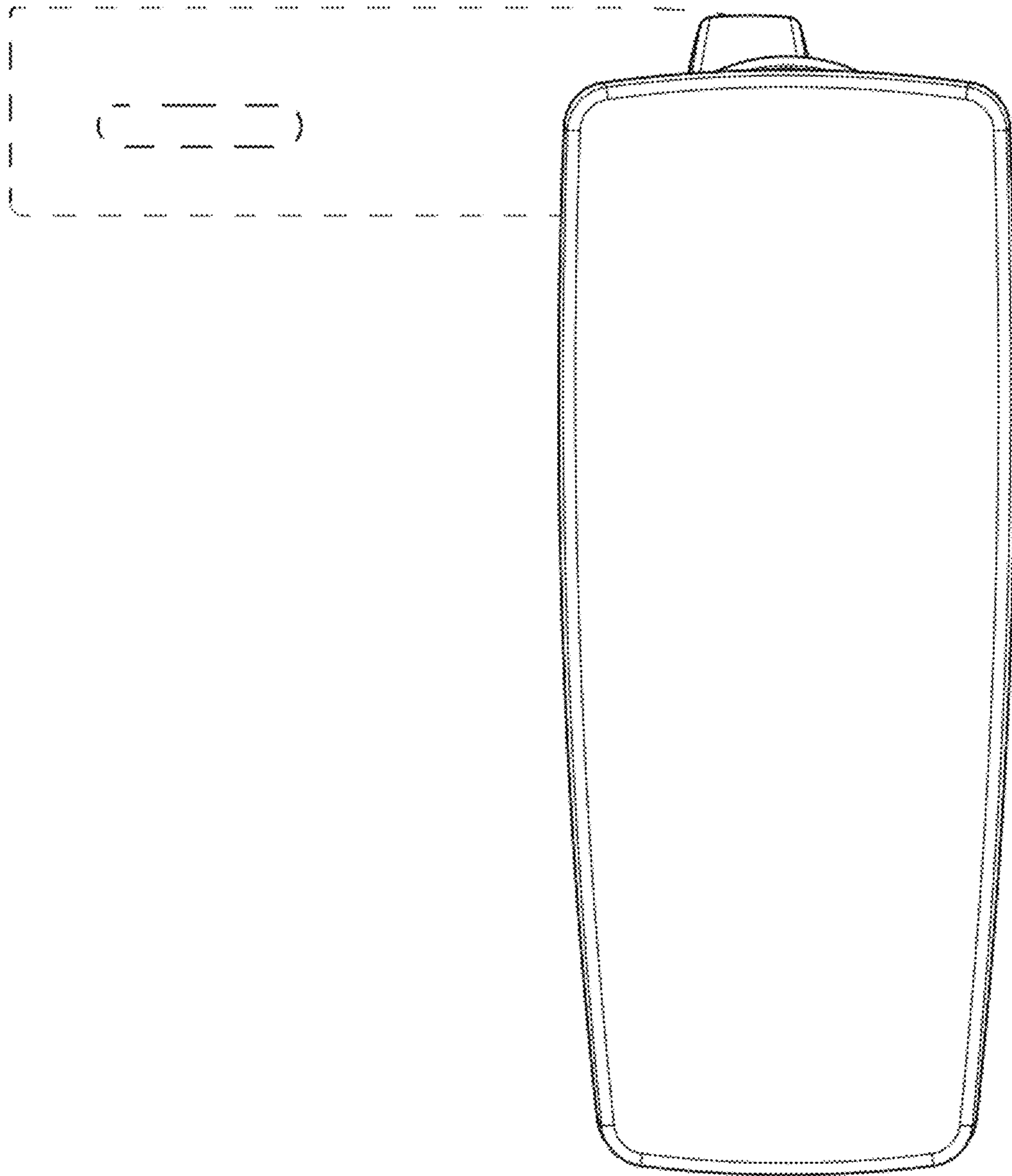


FIG. 13

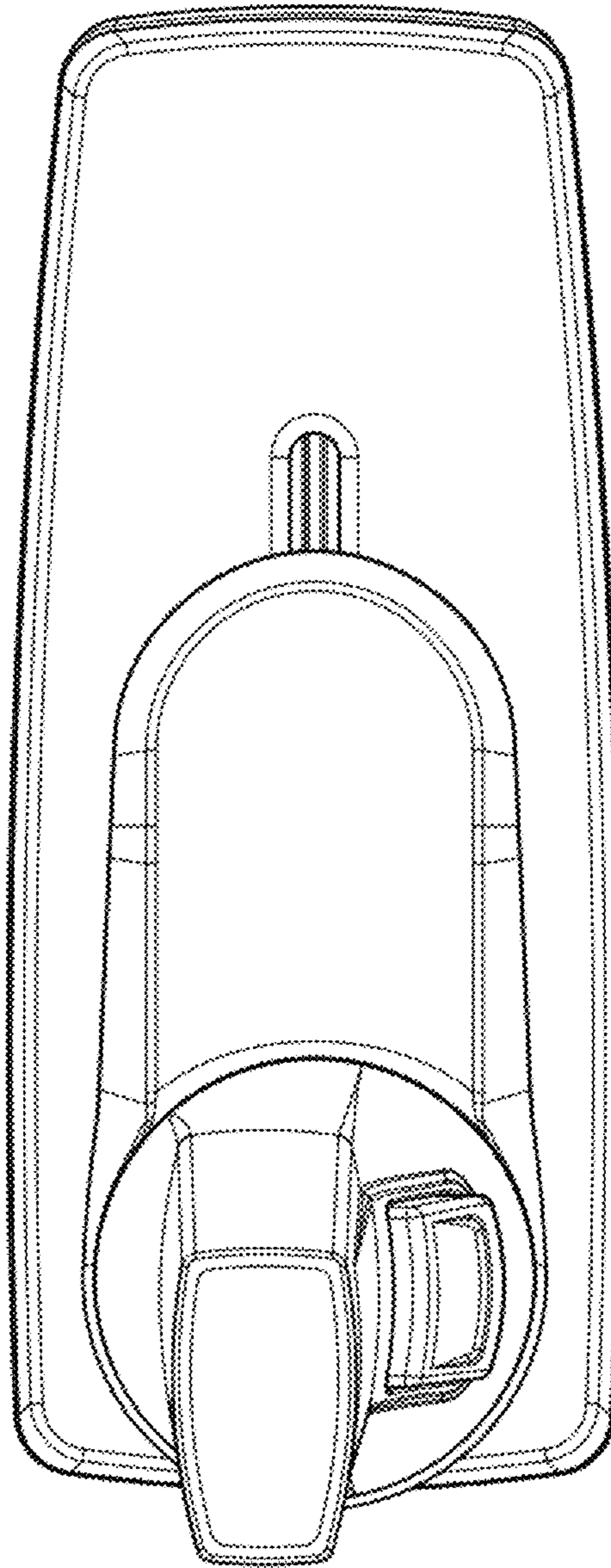


FIG. 14

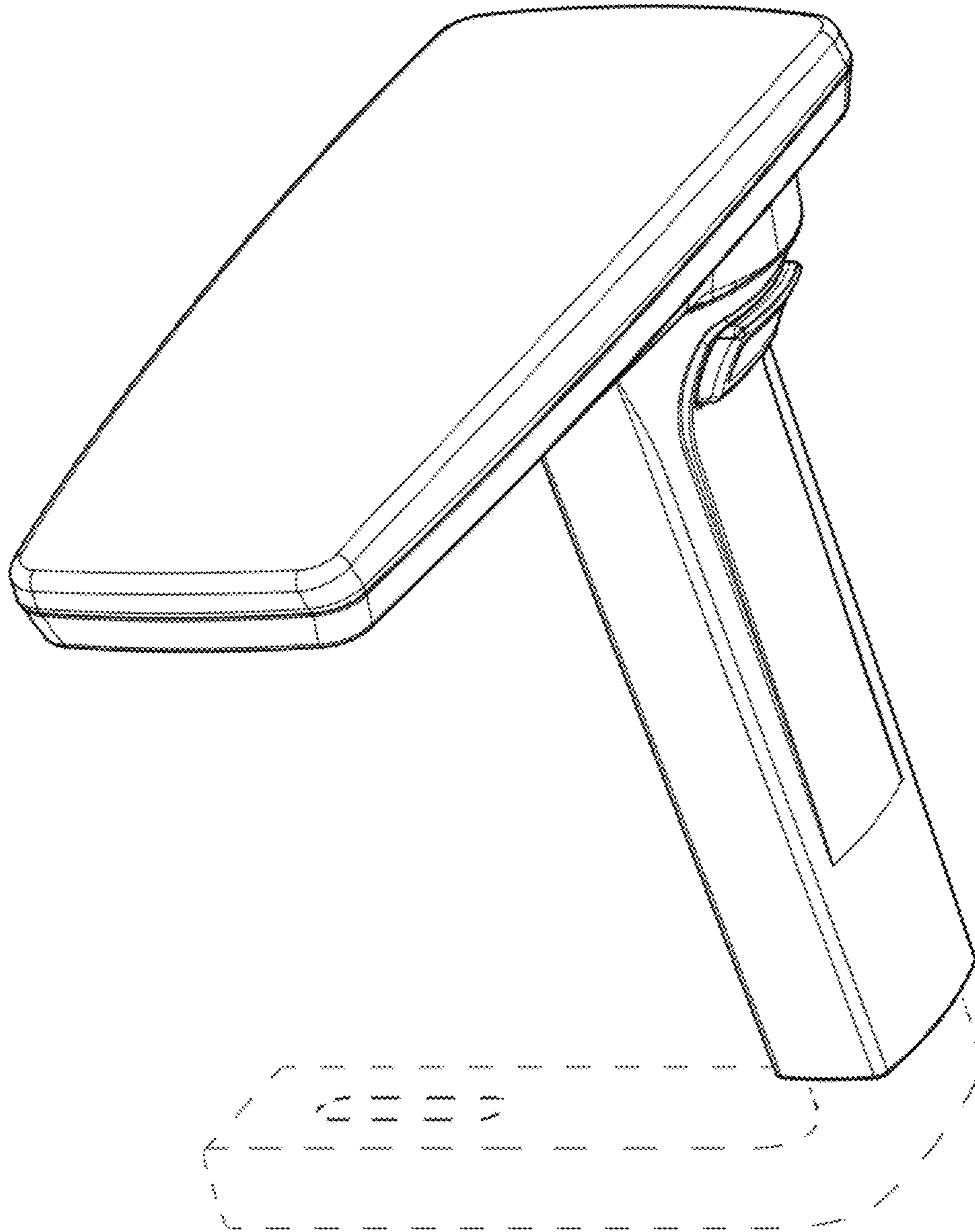


FIG. 15

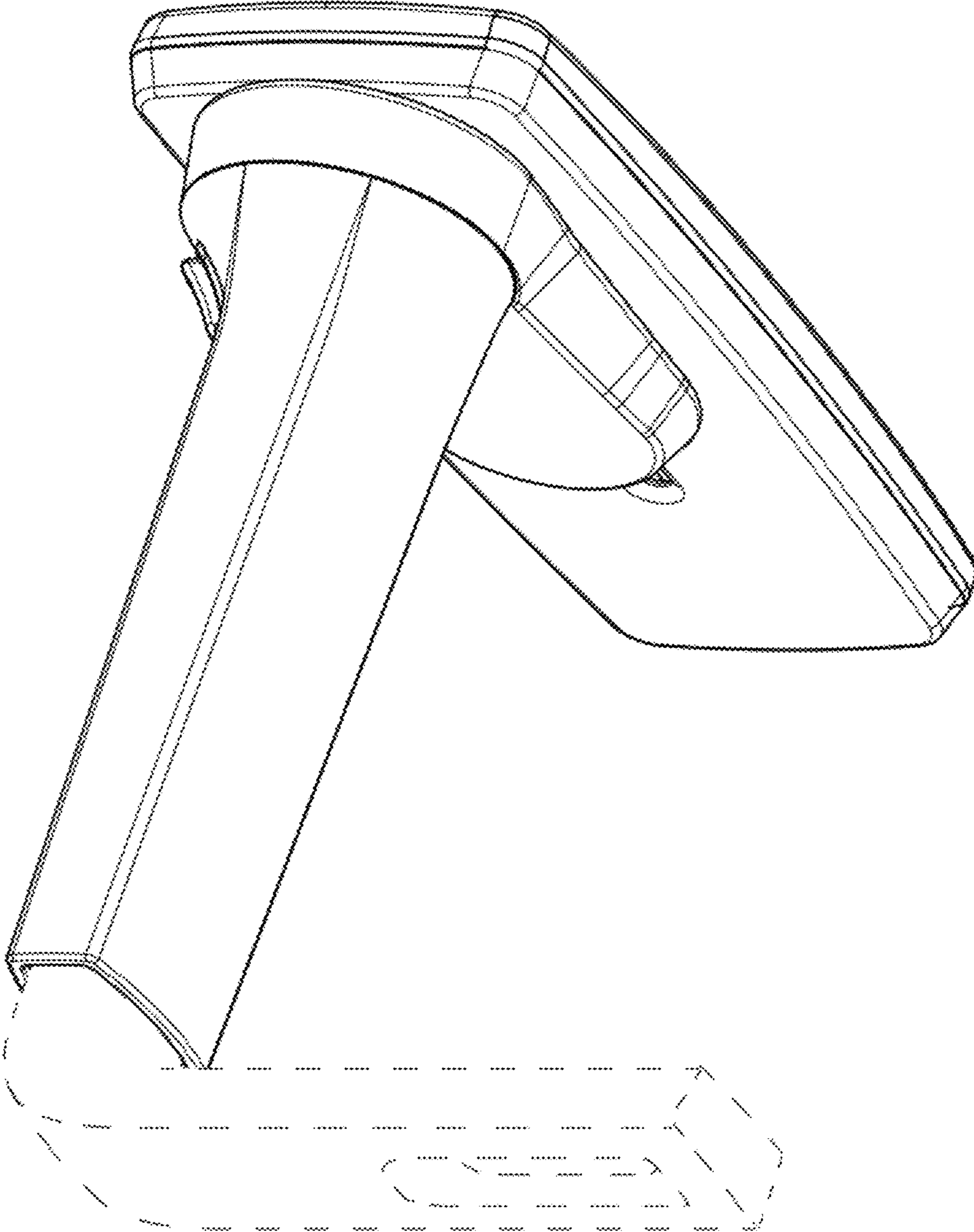


FIG. 16