



US00D898393S

(12) **United States Design Patent** (10) **Patent No.:** **US D898,393 S**
King et al. (45) **Date of Patent:** **** Oct. 13, 2020**

(54) **ARTICLE OF FURNITURE**

(71) Applicant: **King Furniture Australia Pty Ltd.,**
Turrella, NSW (AU)

(72) Inventors: **David King,** Turrella (AU); **Ryan**
Lawson, Turrella (AU); **Anastasi**
Panagopoulos, Turrella (AU); **Tanya**
Rechberger, Turrella (AU)

(73) Assignee: **King Furniture Australia Pty Ltd.,**
Turrella (AU)

(**) Term: **15 Years**

(21) Appl. No.: **29/695,216**

(22) Filed: **Jun. 17, 2019**

Related U.S. Application Data

(62) Division of application No. 29/607,057, filed on Jun.
9, 2017, now Pat. No. Des. 851,416.

(30) **Foreign Application Priority Data**

Dec. 9, 2016	(AU)	201616933
Dec. 9, 2016	(AU)	201616934
Dec. 9, 2016	(AU)	201616935
Dec. 9, 2016	(AU)	201616936
Dec. 9, 2016	(AU)	201616937
Dec. 9, 2016	(AU)	201616938
Dec. 9, 2016	(AU)	201616939
Dec. 9, 2016	(AU)	201616940
Dec. 9, 2016	(AU)	201616941
Dec. 9, 2016	(AU)	201616942

(51) **LOC (12) Cl.** **06-01**

(52) **U.S. Cl.**
USPC **D6/361**

(58) **Field of Classification Search**

USPC D6/334-338, 360, 361, 367, 368, 371,
D6/372-375, 379, 381
CPC A47C 17/02; A47C 17/04
See application file for complete search history.

(56) **References Cited**

U.S. PATENT DOCUMENTS

D238,914 S *	2/1976	Zapf	D6/334
D240,096 S	6/1976	Haggstam et al.	
D247,335 S	2/1978	Dranger et al.	
D289,831 S	5/1987	Leib	
D292,350 S *	10/1987	Goldman	D6/361
D310,143 S	8/1990	Hopfer	
D327,174 S	6/1992	Hopfer	
5,137,332 A	8/1992	Gualtierotti et al.	
D335,395 S	5/1993	Gibson	
D336,377 S	6/1993	Gibson	
D336,787 S	6/1993	Gibson	
D400,364 S *	11/1998	Hutton	D6/361
D433,824 S	11/2000	King	

(Continued)

Primary Examiner — Deanna L Pratt

(74) *Attorney, Agent, or Firm* — Banner & Witcoff, Ltd.

(57) **CLAIM**

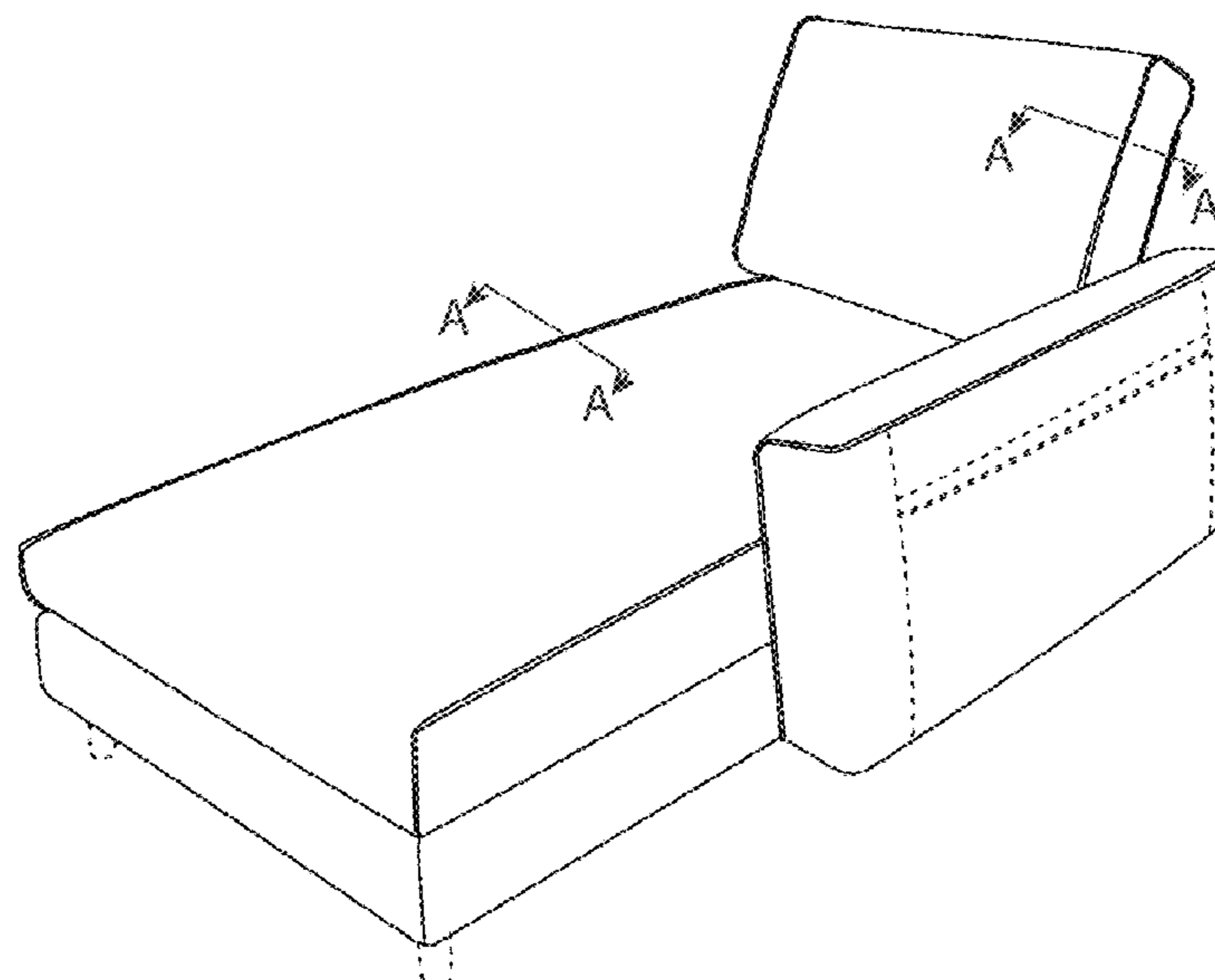
The ornamental design for an article of furniture, as shown
and described.

DESCRIPTION

FIG. 1 is a perspective, front view of an article of furniture;
FIG. 2 is a plan view thereof;
FIG. 3 is a rear view thereof;
FIG. 4 is a right side view thereof;
FIG. 5 is a front view thereof;
FIG. 6 is a left side view thereof;
FIG. 7 is a perspective, rear view thereof; and,
FIG. 8 is a sectional view taken along lines A-A in each of
FIGS. 1 and 7 of the drawings.

The broken lines illustrate portions of the article of furniture
that form no part of the claimed design.

1 Claim, 1 Drawing Sheet



(56)

References Cited

U.S. PATENT DOCUMENTS

D433,825	S	11/2000	Piretti	
D484,712	S *	1/2004	Gomez	D6/377
D495,153	S	8/2004	Ricci	
D495,893	S	9/2004	Ricci	
6,824,220	B1	11/2004	Davison	
D499,261	S	12/2004	Ricci	
D545,070	S	6/2007	Hutton	
D576,805	S *	9/2008	Natuzzi	D6/334
D580,670	S	11/2008	Weiss	
D585,200	S *	1/2009	Lissoni	D6/334
D609,034	S	2/2010	Lissoni	
D619,820	S	7/2010	Lissoni	
D624,325	S *	9/2010	Roberts	D6/334
D629,221	S *	12/2010	Starck	D6/334
D657,965	S	4/2012	Amini	
D693,584	S	11/2013	Kanthasamy	
D718,552	S	12/2014	Kanthasamy	
D801,720	S	11/2017	Morrison	
D816,366	S	5/2018	King et al.	
D826,589	S	8/2018	Natuzzi	
D829,451	S	10/2018	Bozzoli	
D831,993	S *	10/2018	George, II	D6/375
D832,609	S	11/2018	Hecht et al.	
D849,441	S *	5/2019	King	D6/381
D850,141	S *	6/2019	King	D6/381
D850,142	S *	6/2019	King	D6/381
D851,416	S *	6/2019	King	D6/334
2013/0341992	A1	12/2013	King et al.	
2017/0303690	A1	10/2017	King et al.	

* cited by examiner

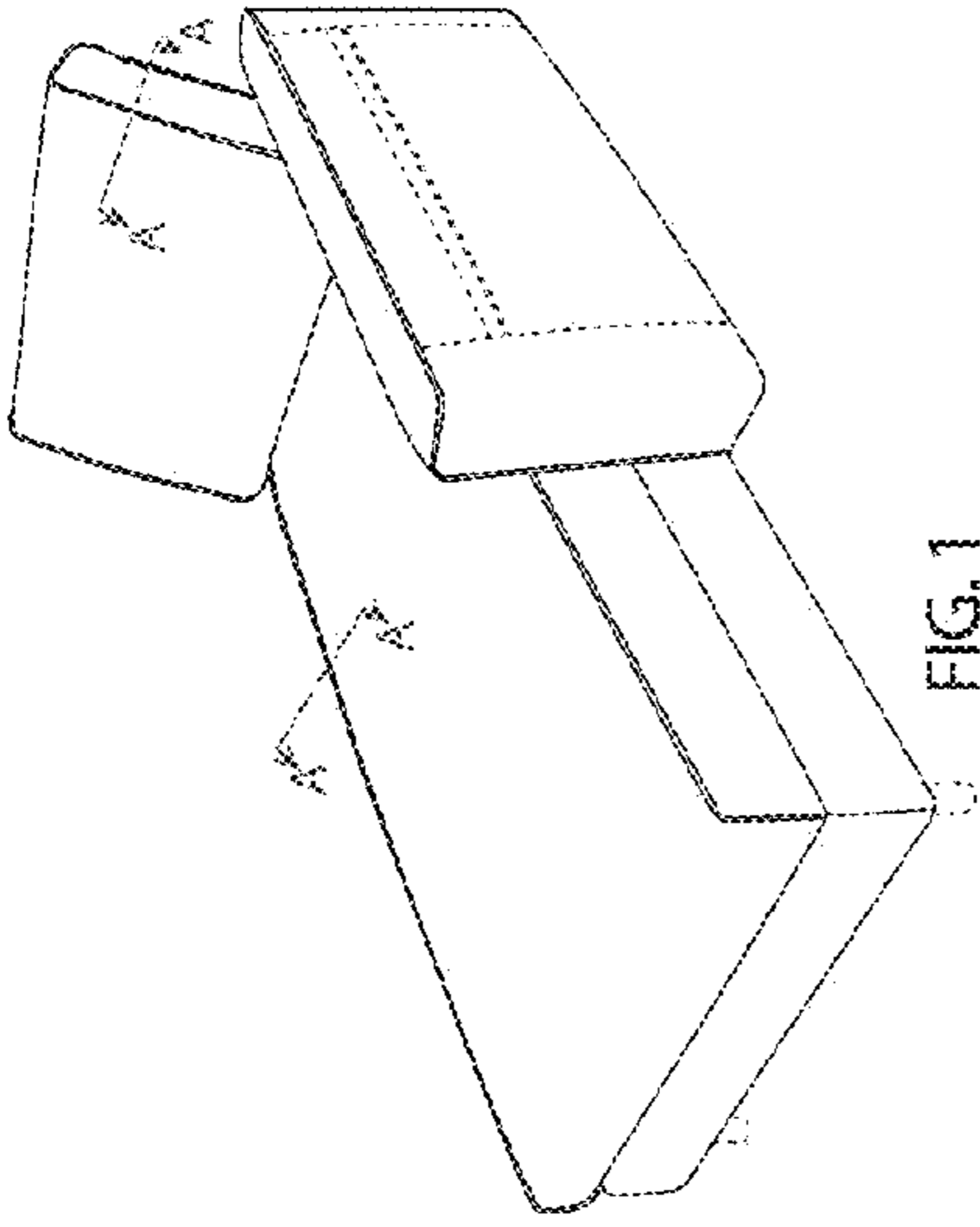


FIG. 1

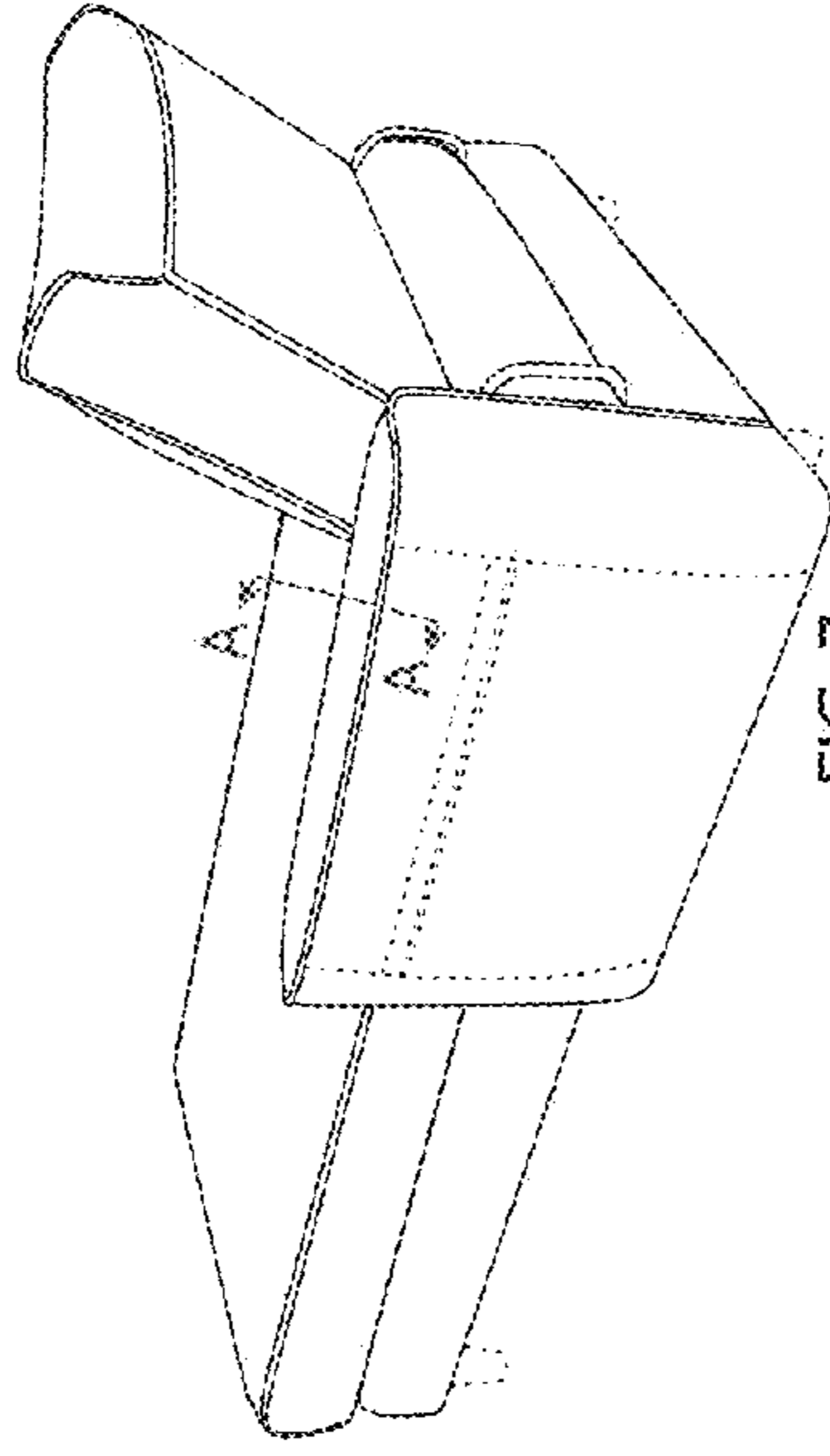


FIG. 7

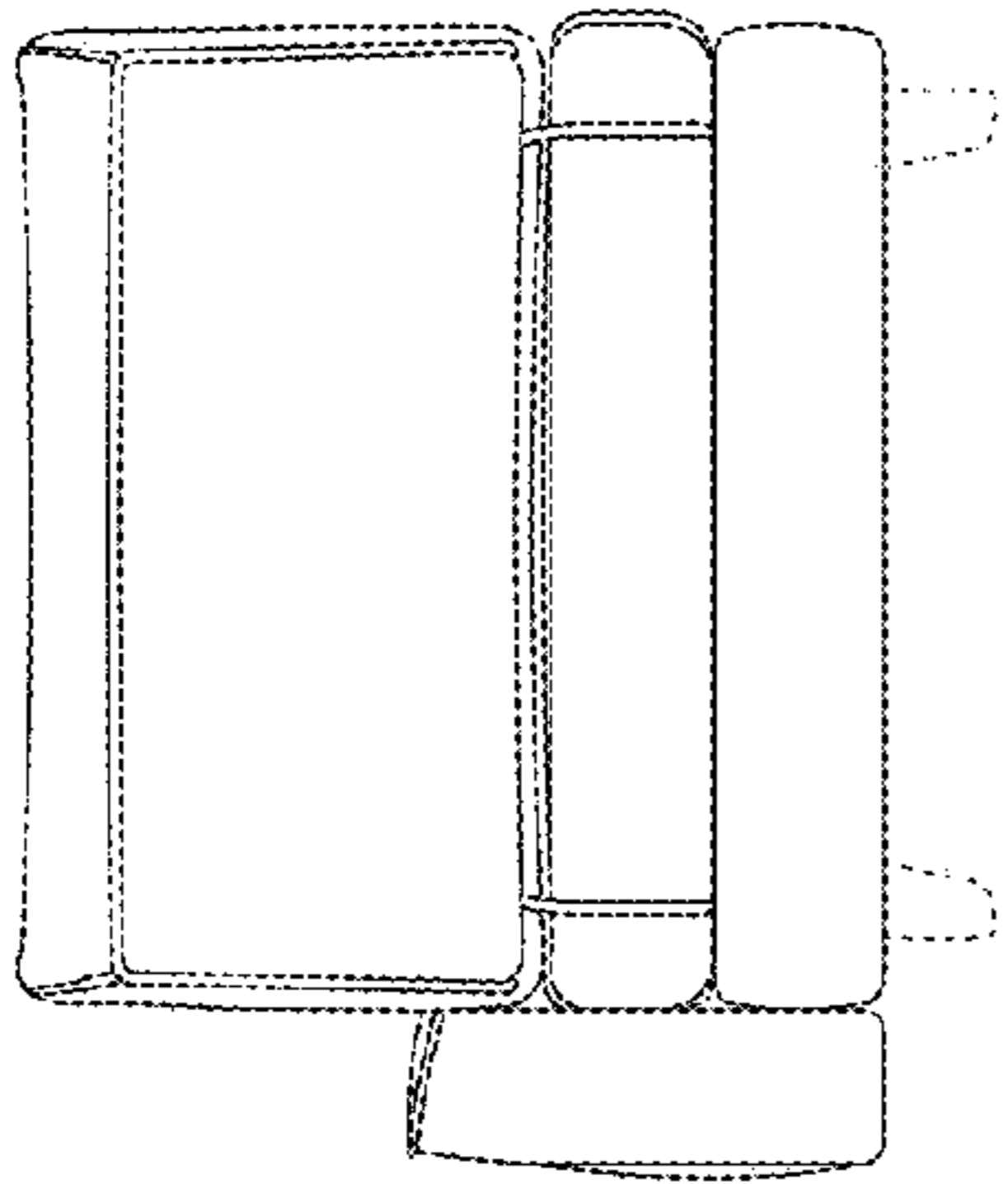


FIG. 3

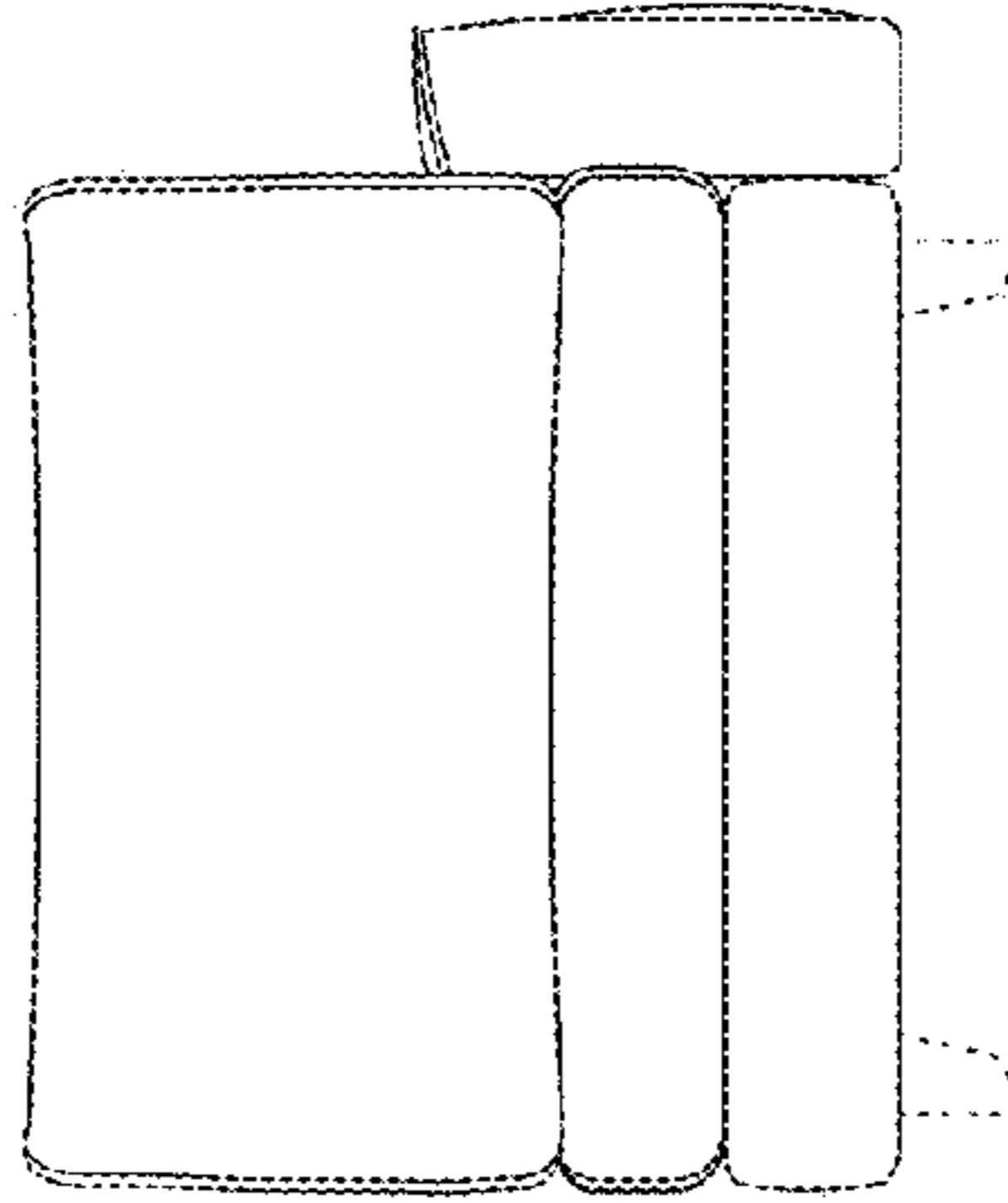


FIG. 5

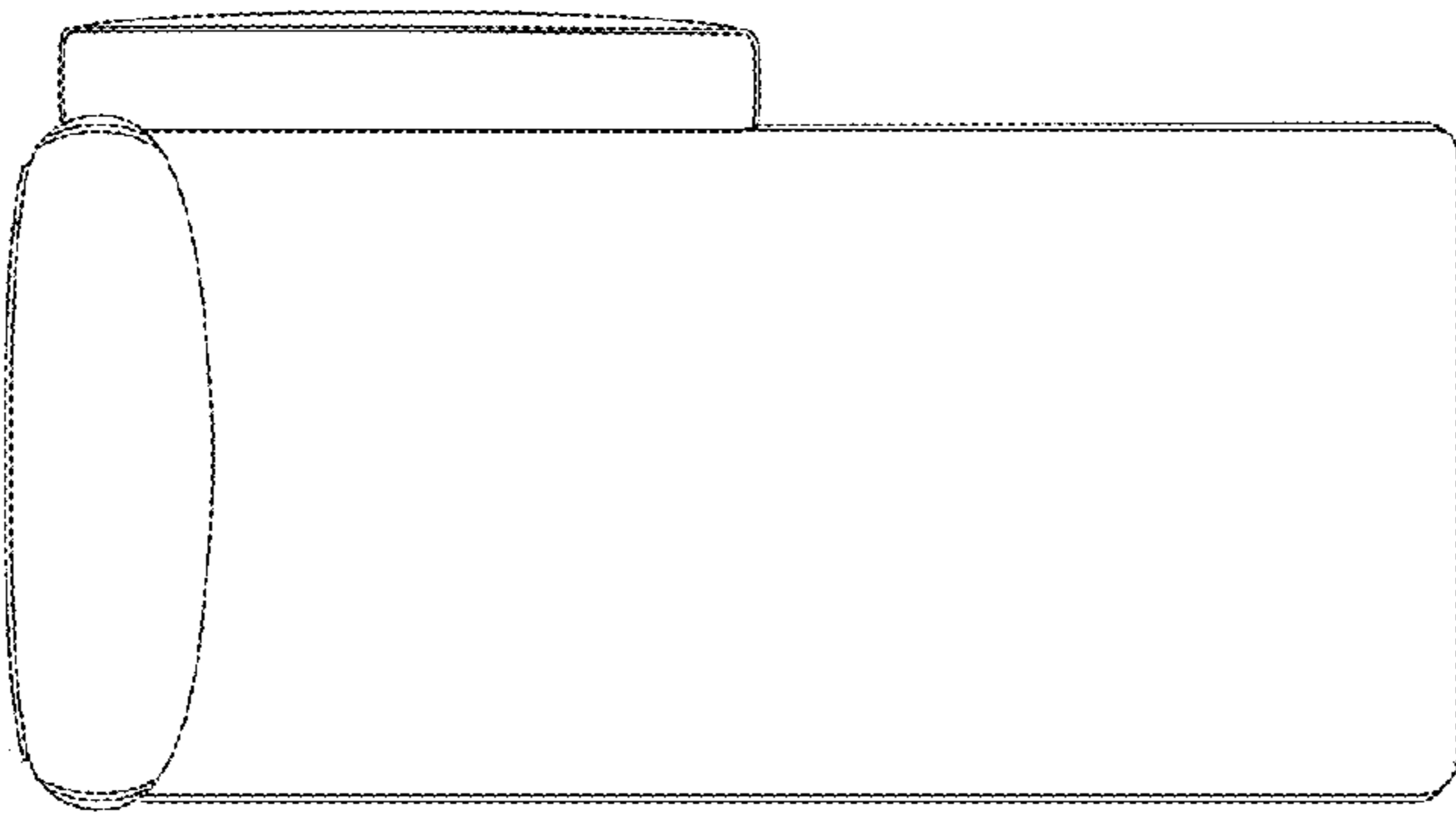


FIG. 2

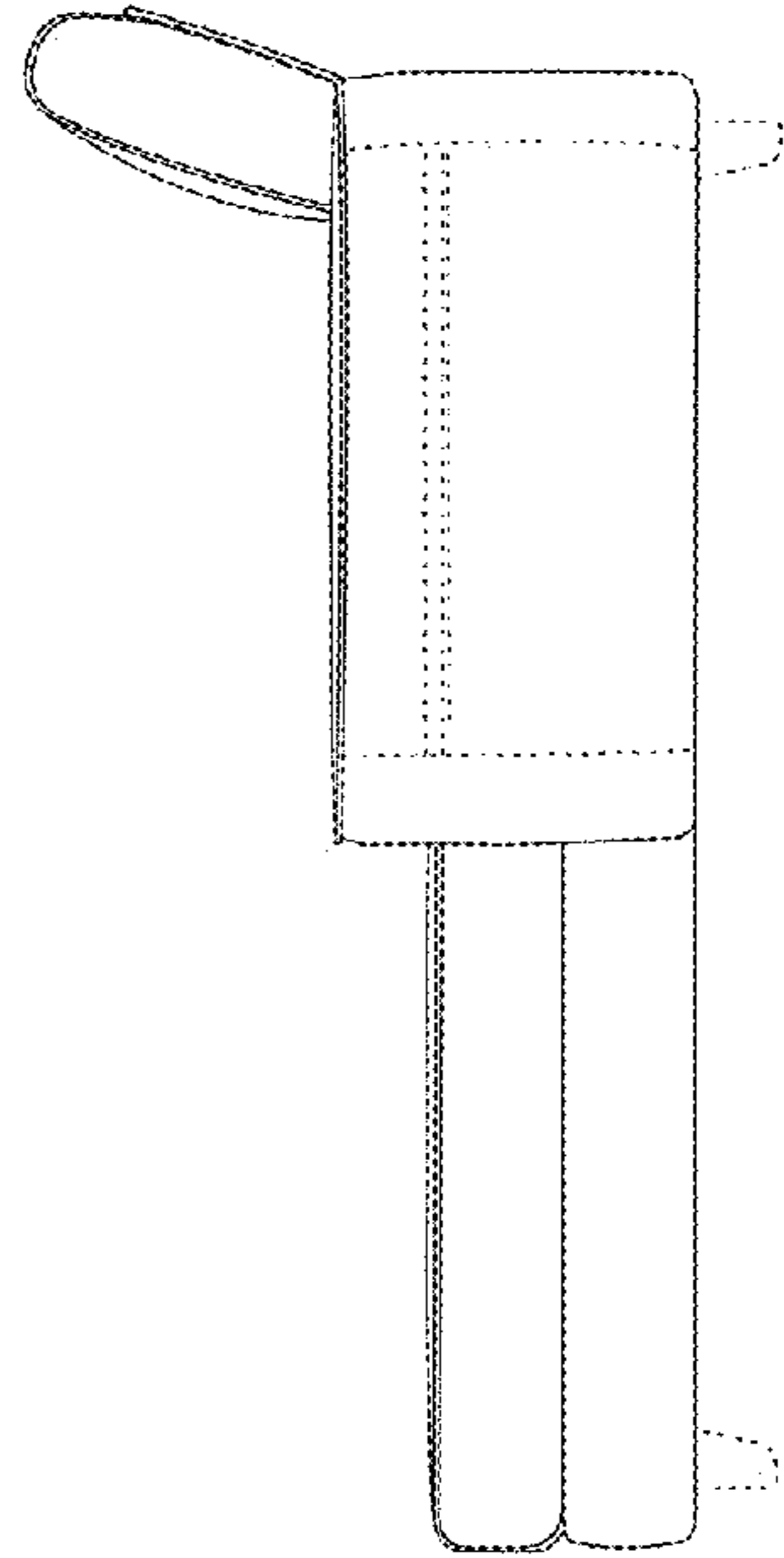


FIG. 6

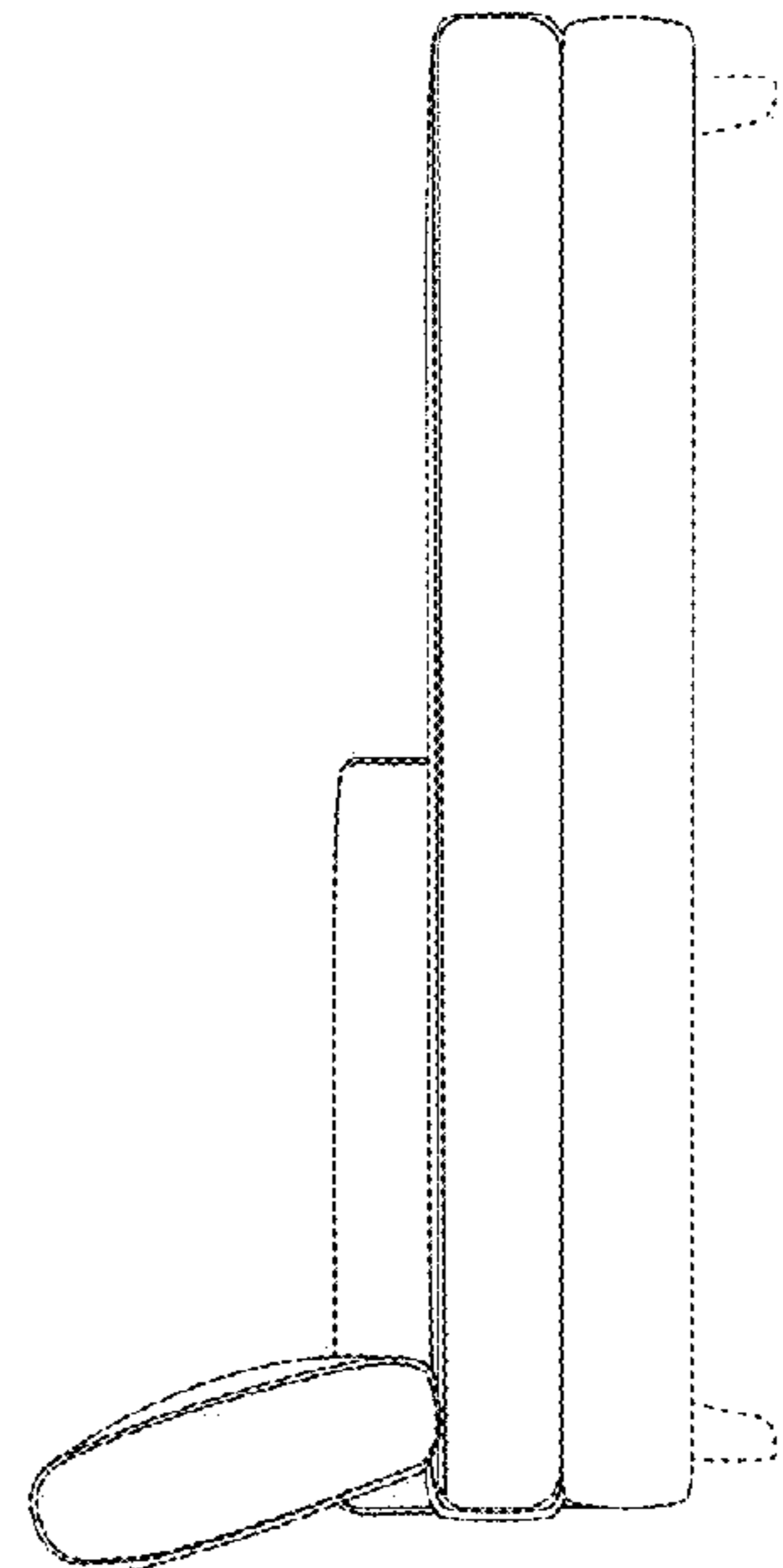


FIG. 4

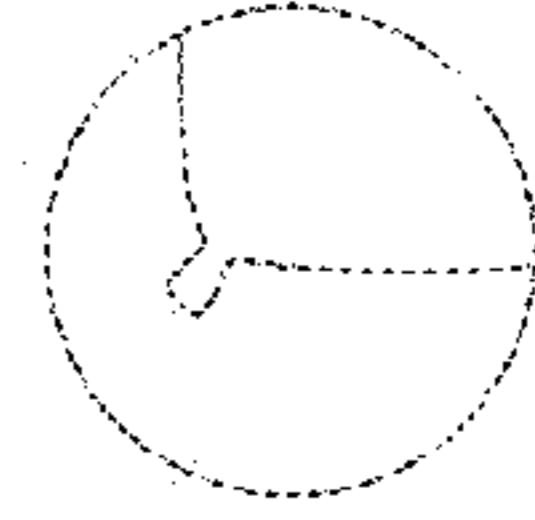


FIG. 8