



US00D898391S

(12) **United States Design Patent**
Hagerty

(10) **Patent No.:** **US D898,391 S**

(45) **Date of Patent:** **** Oct. 13, 2020**

(54) **LOUNGER CHAIR**

(71) Applicant: **S.R. Smith, LLC**, Canby, OR (US)

(72) Inventor: **Mike Hagerty**, Oro Valley, AZ (US)

(73) Assignee: **S.R. SMITH, LLC**, Canby, OR (US)

(**) Term: **15 Years**

(21) Appl. No.: **29/678,532**

(22) Filed: **Jan. 29, 2019**

(51) **LOC (12) Cl.** **06-01**

(52) **U.S. Cl.**
USPC **D6/361**

(58) **Field of Classification Search**
USPC D6/361, 366, 373, 375, 379, 716;
D24/201
CPC A47C 1/03277; A47C 1/03255; A47C
1/0352; A47C 1/0355; A47C 1/028; A47C
1/143; A47C 3/026; A47C 4/022; A47C
4/028; A47C 4/03; A47C 5/04; A47C
7/445; A47C 31/126

See application file for complete search history.

(56) **References Cited**

U.S. PATENT DOCUMENTS

D174,496	S	*	4/1955	Freedman	D6/361
3,759,572	A	*	9/1973	Koepke	A47C 4/022 297/452.4
4,066,293	A	*	1/1978	Meier	A47C 1/028 297/325
D286,709	S	*	11/1986	Schultz	D6/361
D490,618	S	*	6/2004	Green	D6/361
D518,304	S	*	4/2006	Crescenti	D6/373
D531,318	S	*	10/2006	Morrall Gispert	D24/201
D584,068	S	*	1/2009	Figueras Mitjans	D6/375
D591,986	S	*	5/2009	Schmitz	D6/716
D618,005	S	*	6/2010	Heltemes	D6/375
D628,831	S	*	12/2010	Schmitz	D6/716
D628,832	S	*	12/2010	Schmitz	D6/375

D668,470	S	*	10/2012	Eicke	D6/375
D690,147	S	*	9/2013	Meyer	D6/375
D745,786	S	*	12/2015	Ko	D6/361
D856,018	S	*	8/2019	Lawrence	A47C 1/143 D6/361
D864,640	S	*	10/2019	Saotome	D6/716
D870,502	S	*	12/2019	Saotome	D6/716
D871,121	S	*	12/2019	Sandona	D6/716
D871,122	S	*	12/2019	Sandona	D6/716

(Continued)

Primary Examiner — Kevin K Rudzinski

Assistant Examiner — Paul D Bohannon

(74) *Attorney, Agent, or Firm* — Stoel Rives LLP

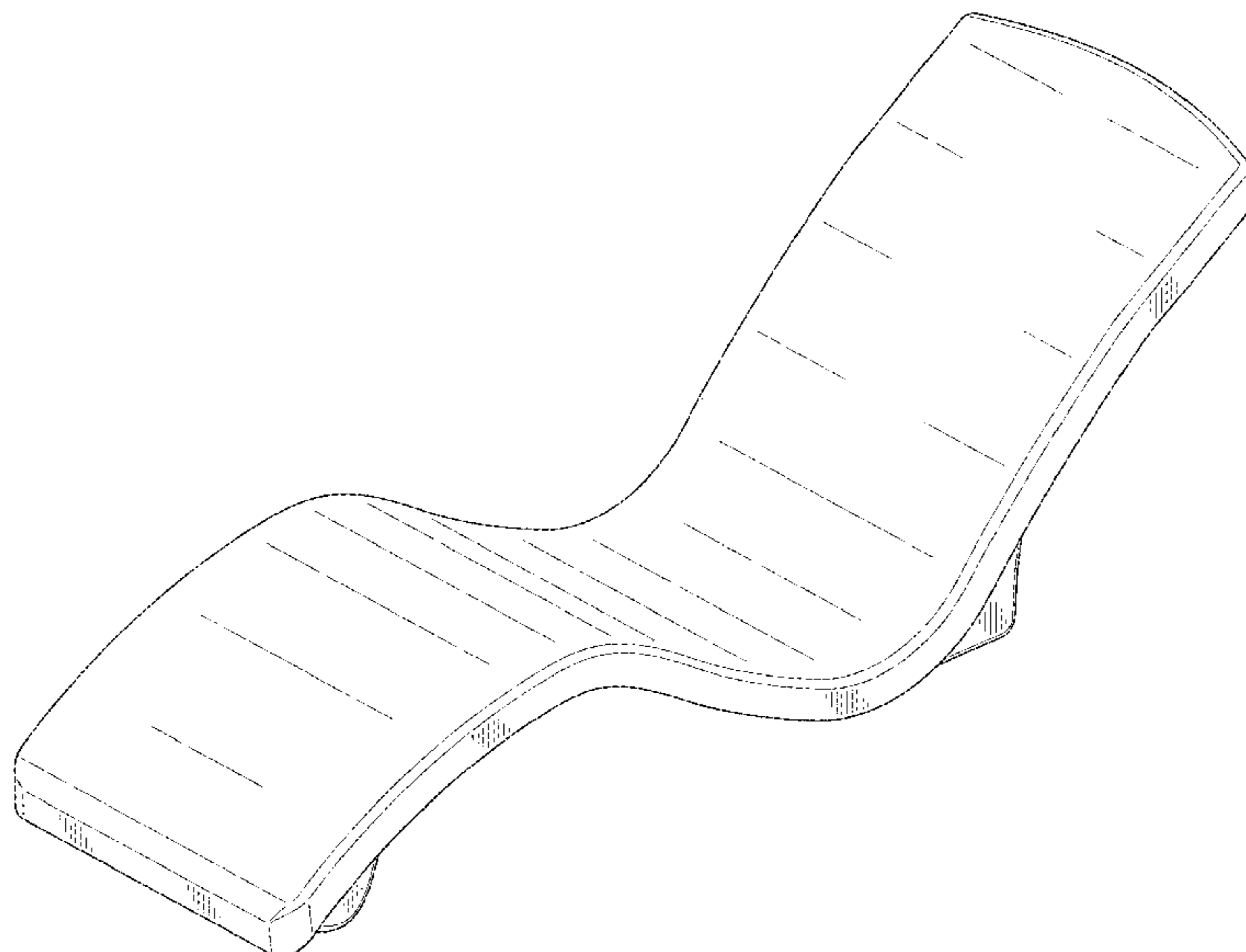
(57) **CLAIM**

I claim the ornamental design for a LOUNGER CHAIR, as shown and described.

DESCRIPTION

FIG. 1 is a top perspective view of a lounge chair showing the new design;
 FIG. 2 is a bottom perspective view thereof;
 FIG. 3 is a front end view thereof;
 FIG. 4 is a rear end view thereof;
 FIG. 5 is a right side view thereof, the left side view being a mirror image;
 FIG. 6 is a top view thereof;
 FIG. 7 is a bottom view thereof;
 FIG. 8 is an enlarged cross-section view of the lounge chair of FIG. 1, taken along line 8-8 of FIG. 5; and,
 FIG. 9 is an enlarged cross-section view of the lounge chair of FIG. 1, taken along line 9-9 of FIG. 4.
 The broken lines in the figures depict portions of the lounge chair that form no part of the claimed design. In FIGS. 8 and 9, the broken lines and line hatching indicating a sectional view are not intended to illustrate the internal construction of the lounge chair. The aforementioned broken lines and line hatching in these figures form no part of the claimed design.

1 Claim, 6 Drawing Sheets



(56)

References Cited

U.S. PATENT DOCUMENTS

2005/0110326 A1* 5/2005 Leong A47C 4/025
297/440.1
2018/0153306 A1* 6/2018 Schmitz A47C 31/126

* cited by examiner

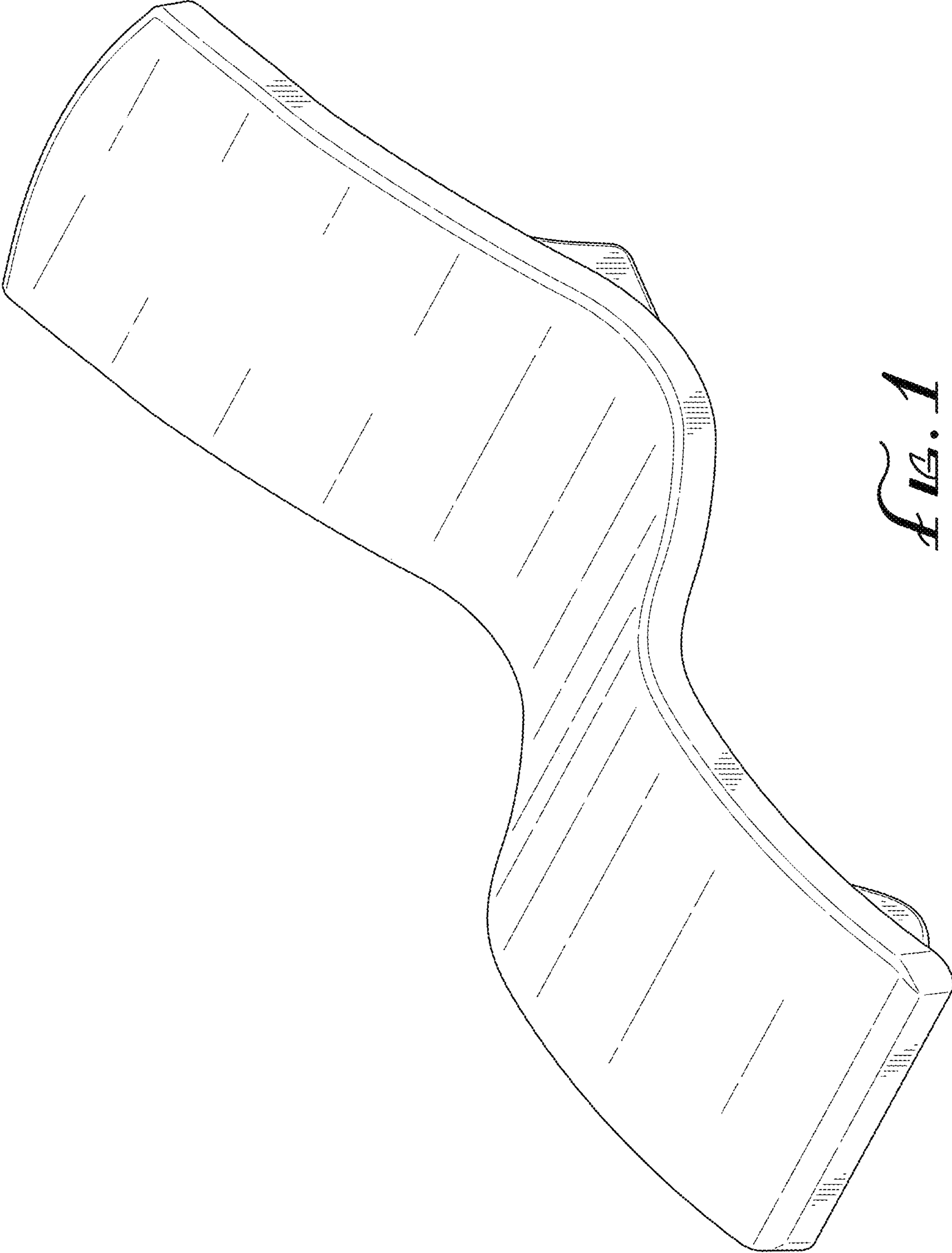


FIG. 1

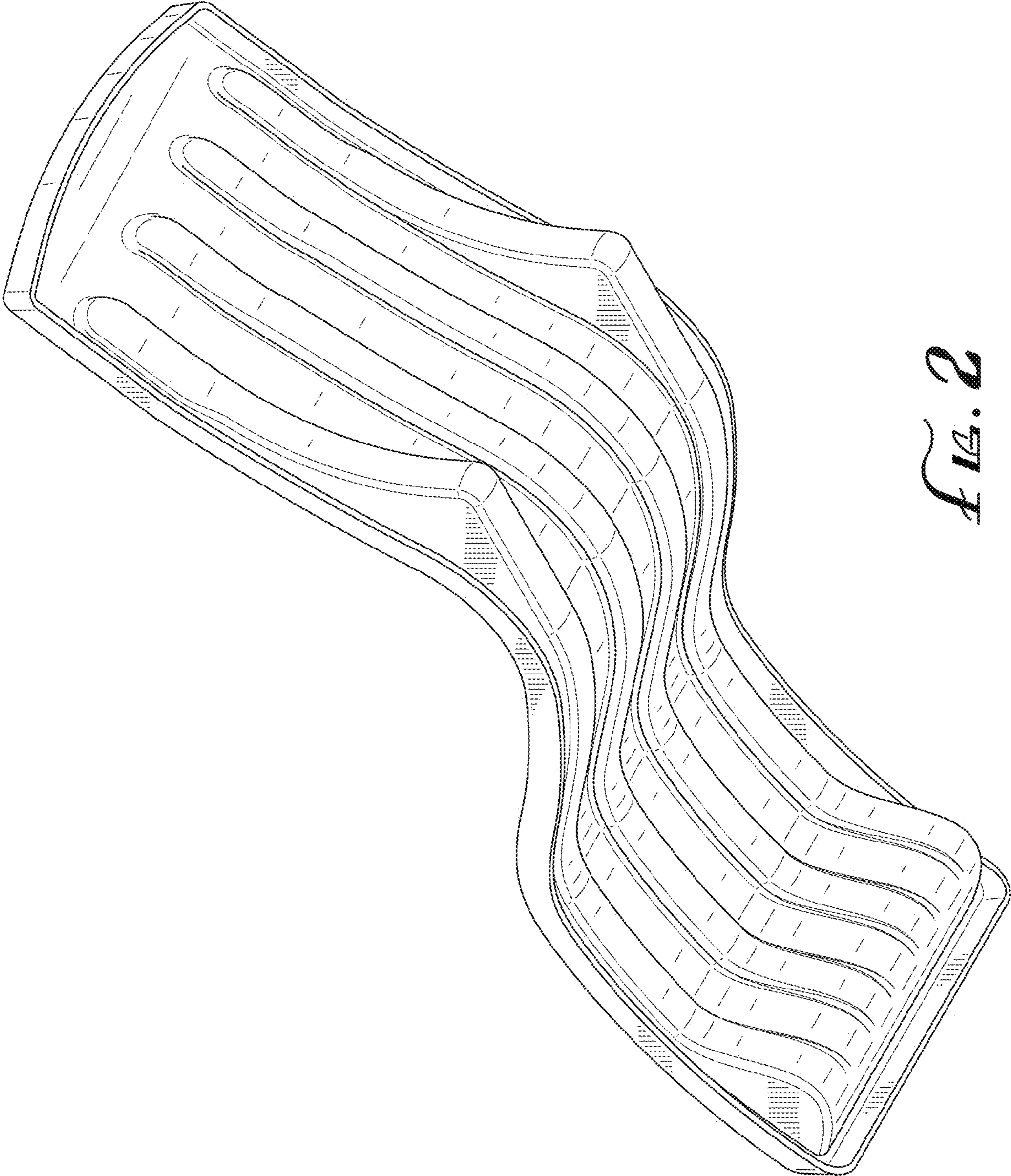


Fig. 2

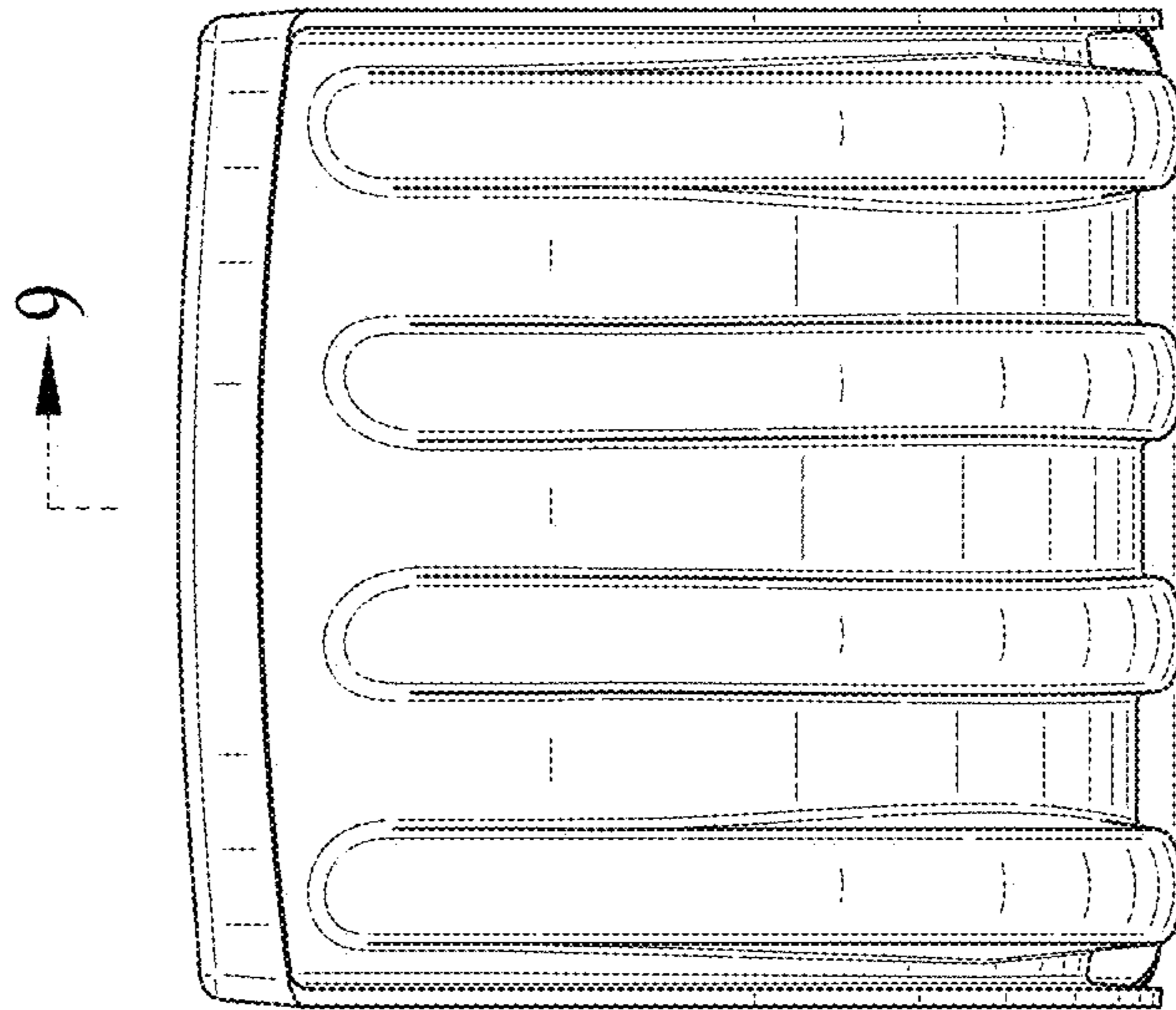


FIG. 4

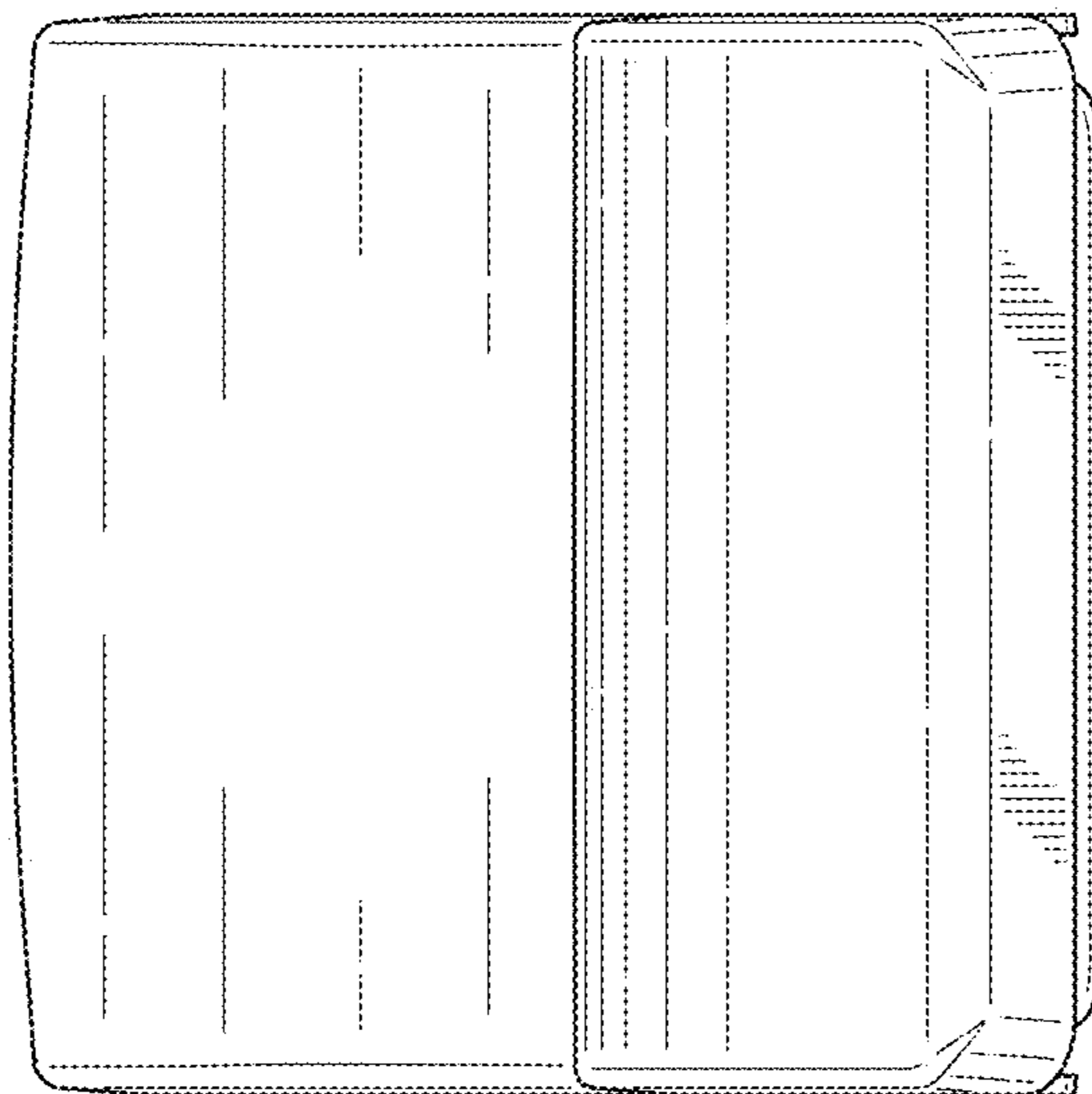


FIG. 3

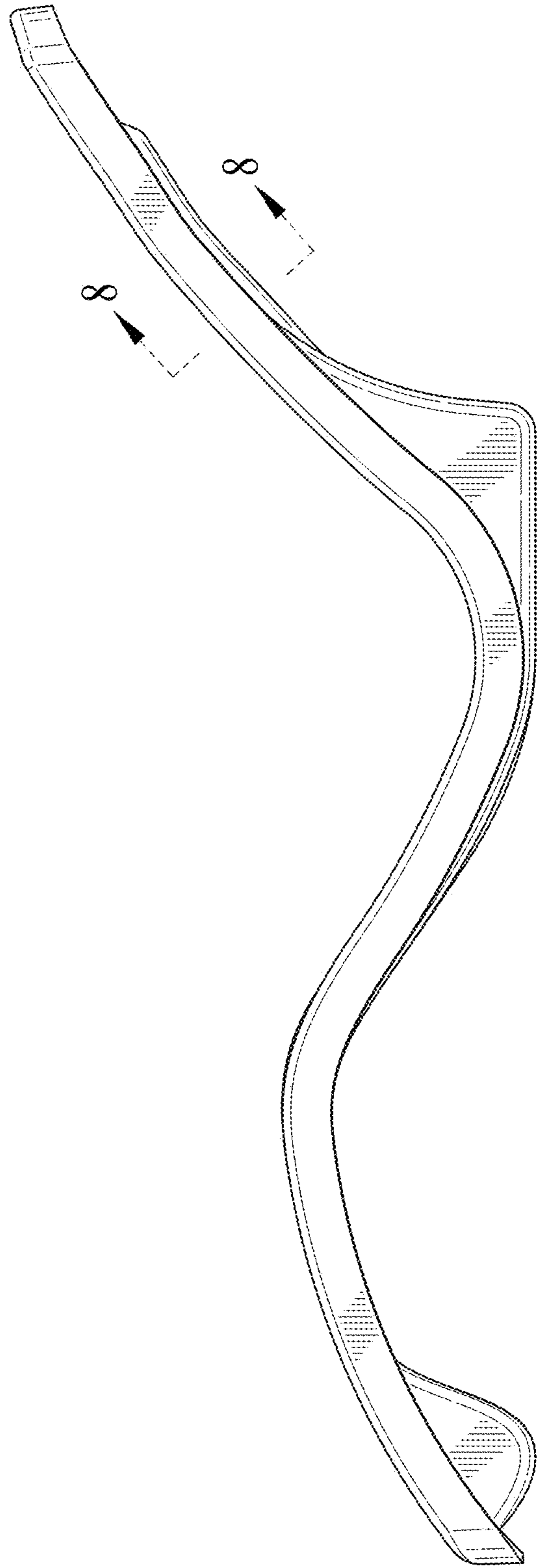


FIG. 5

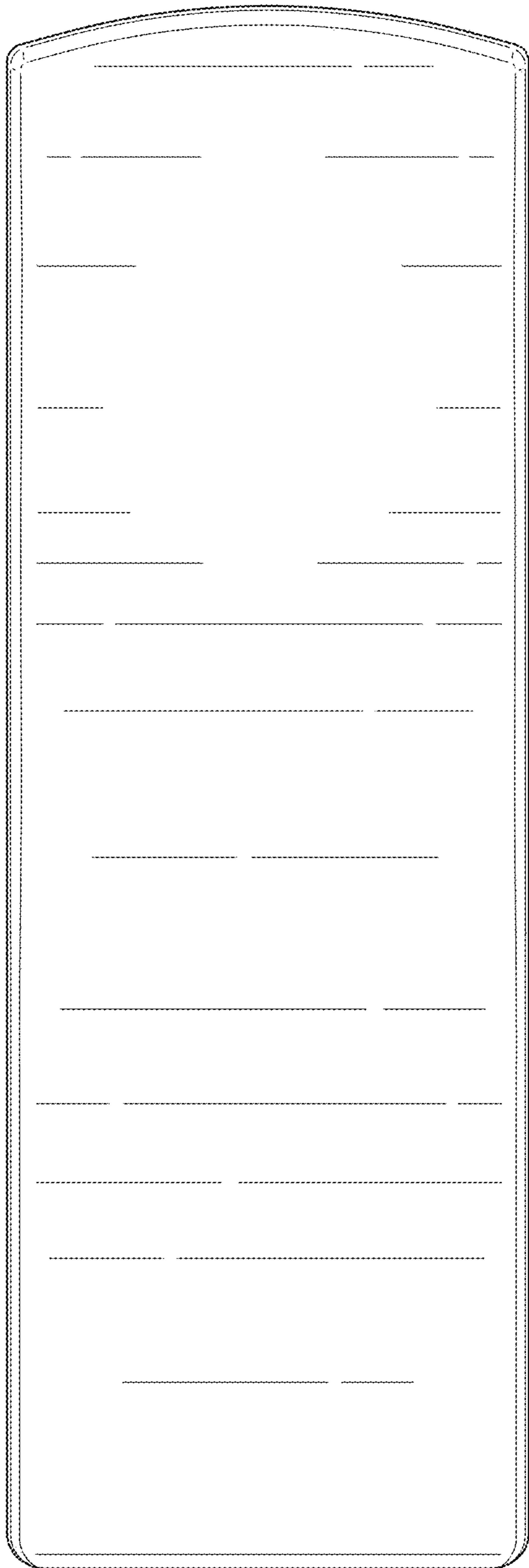


FIG. 6

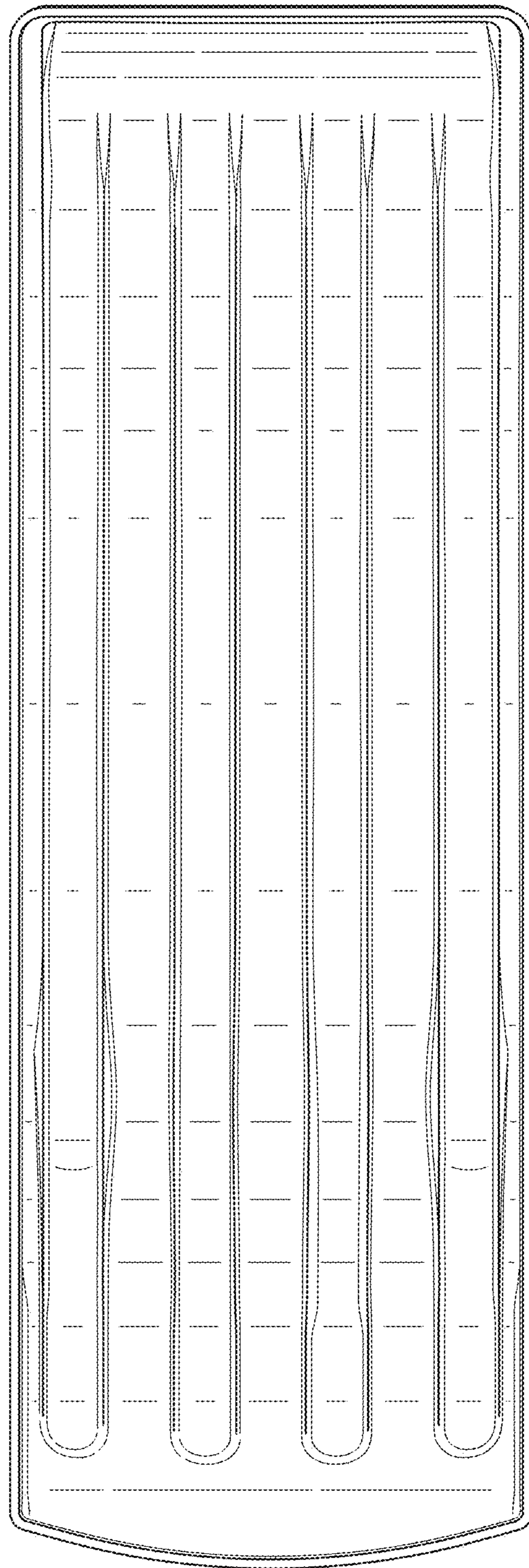


FIG. 7

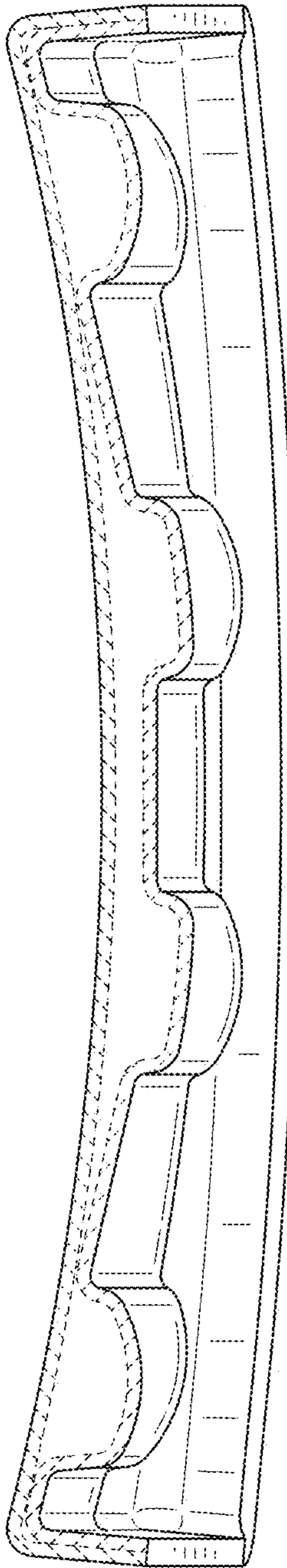


Fig. 8

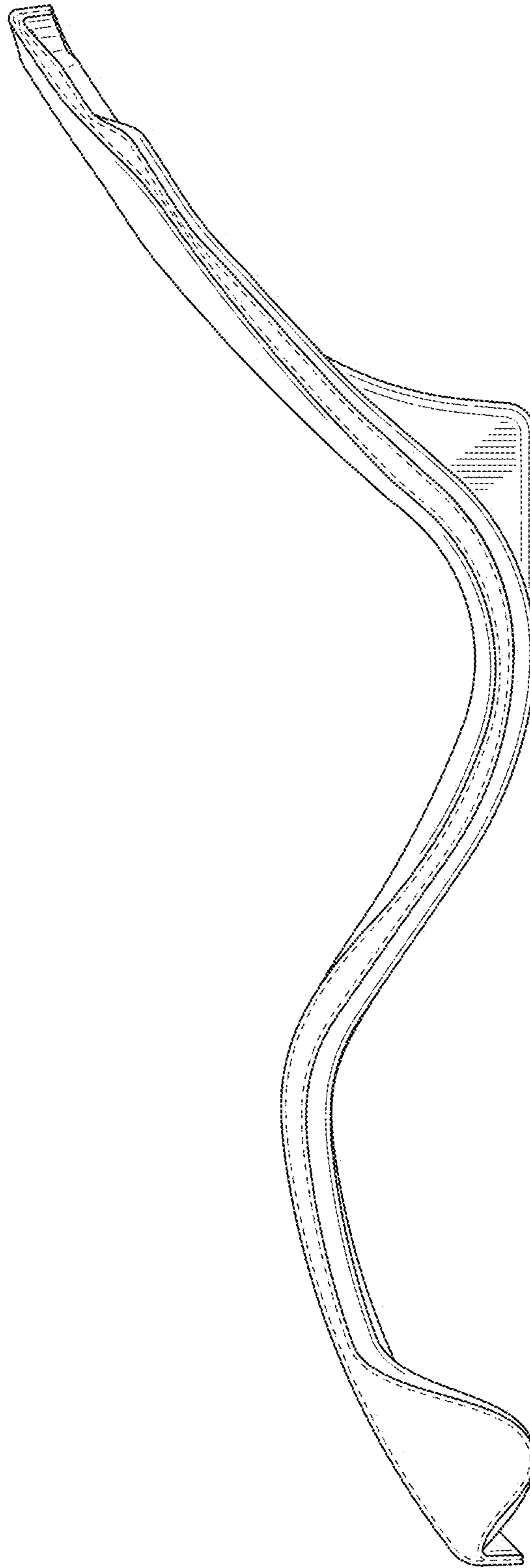


Fig. 9