



US00D898390S

(12) **United States Design Patent**  
**Radenbaugh**

(10) **Patent No.:** **US D898,390 S**  
(45) **Date of Patent:** **\*\* Oct. 13, 2020**

(54) **BICYCLE SEAT**

(71) Applicant: **Rad Power Bikes LLC**, Seattle, WA (US)

(72) Inventor: **Mike Radenbaugh**, Seattle, WA (US)

(73) Assignee: **RAD POWER BIKES LLC**, Seattle, WA (US)

(\*\*) Term: **15 Years**

(21) Appl. No.: **29/681,361**

(22) Filed: **Feb. 25, 2019**

(51) **LOC (12) Cl.** ..... **06-01**

(52) **U.S. Cl.**  
USPC ..... **D6/354**

(58) **Field of Classification Search**  
USPC ..... D6/340, 354; D12/110, 111  
CPC ... B62J 1/002; B62J 1/005; B62J 1/007; B62J 1/26

See application file for complete search history.

(56) **References Cited**

**U.S. PATENT DOCUMENTS**

612,972	A *	10/1898	Leech	.....	B62J 1/002
					297/201
1,858,477	A *	5/1932	Blake	.....	B62J 1/02
					297/202
D408,159	S *	4/1999	Clutton	.....	D6/354
6,019,423	A *	2/2000	Dodge	.....	B62J 1/002
					297/195.1
D429,905	S *	8/2000	White	.....	D6/354
6,193,309	B1 *	2/2001	Gootter	.....	B62J 1/002
					297/202
7,537,281	B2 *	5/2009	Riondato	.....	B62J 1/007
					297/202
D642,846	S *	8/2011	Parish	.....	D6/601

D684,780	S *	6/2013	Toll	.....	D6/354
D722,446	S *	2/2015	Toll	.....	D6/354
2003/0034678	A1 *	2/2003	Farre	.....	A47C 7/029
					297/195.11
2003/0067195	A1 *	4/2003	Sylvester	.....	B62J 1/04
					297/201
2007/0069557	A1 *	3/2007	Toll	.....	B62J 1/007
					297/202

\* cited by examiner

*Primary Examiner* — Darlington Ly

(74) *Attorney, Agent, or Firm* — AMPACC Law Group, PLLC

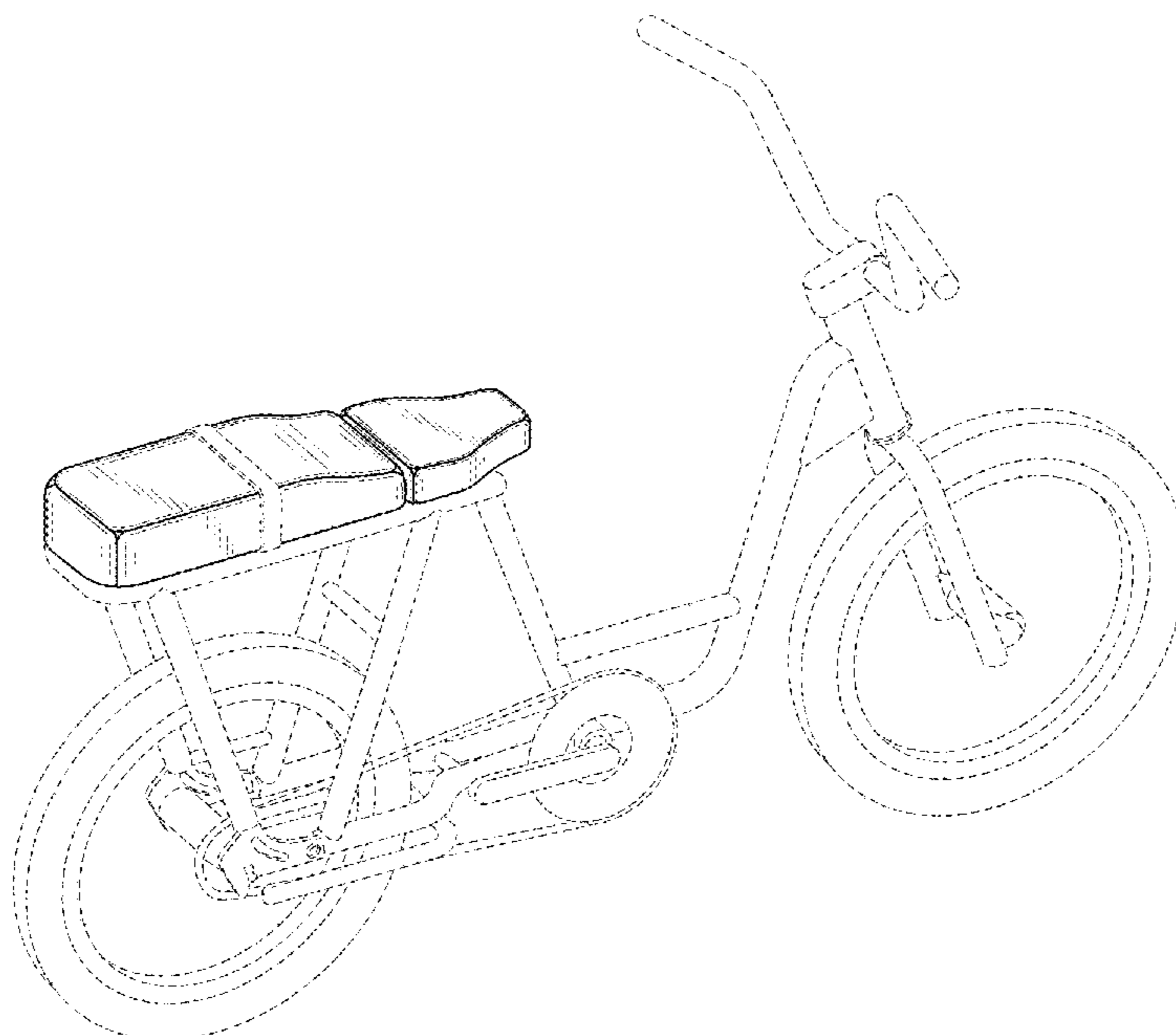
(57) **CLAIM**

The ornamental design for a bicycle seat, as shown and described.

**DESCRIPTION**

FIG. 1 is a top perspective view of a bicycle seat showing my new design;  
 FIG. 2 is a right side elevation view thereof;  
 FIG. 3 is a top plan view thereof;  
 FIG. 4 is a top perspective view thereof with the front seat portion elevated above the rear seat portions;  
 FIG. 5 is a right side elevation view thereof with the front seat portion elevated above the rear seat portions; and,  
 FIG. 6 is a top plan view thereof with the front seat portion elevated above the rear seat portions.  
 The broken lines in the drawings illustrate portions of the bicycle seat and portions of an environmental bicycle frame that form no part of the claimed design.

**1 Claim, 4 Drawing Sheets**



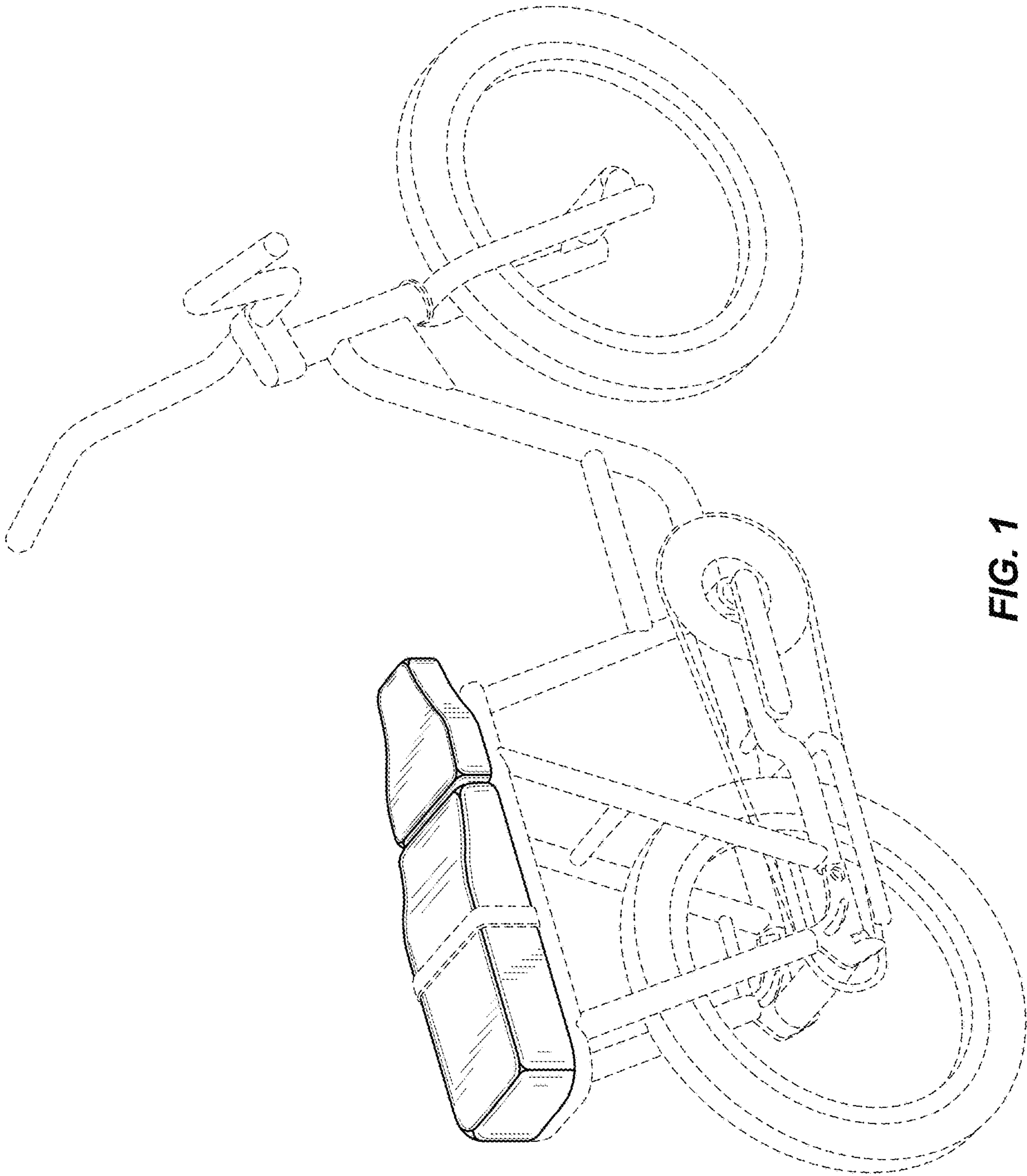
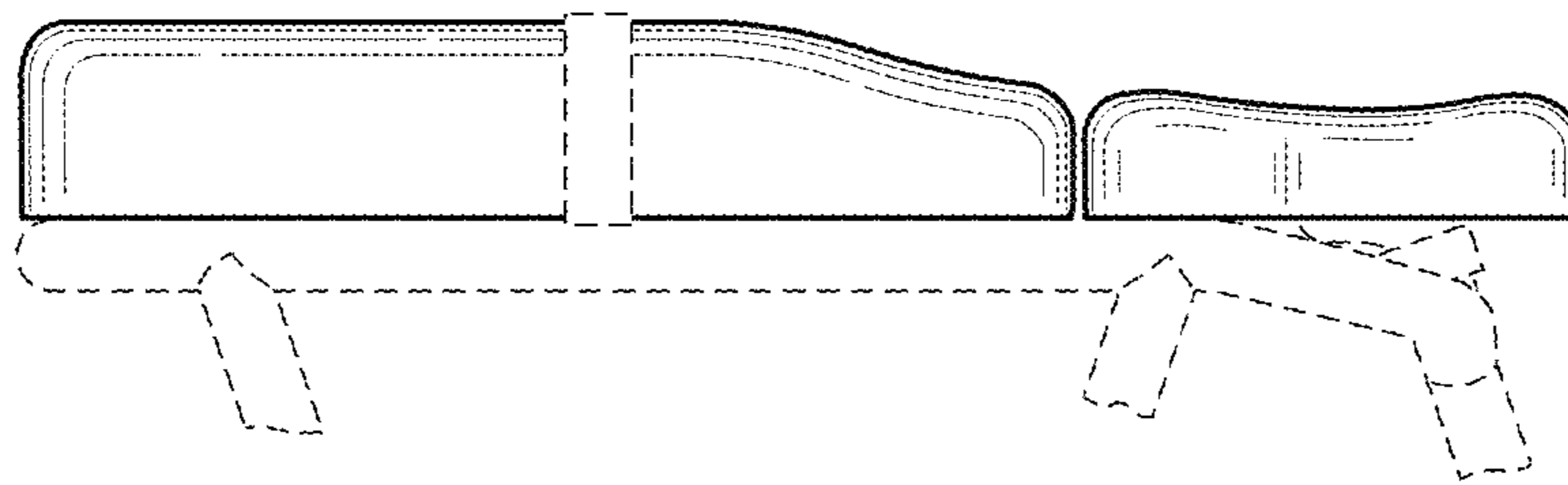
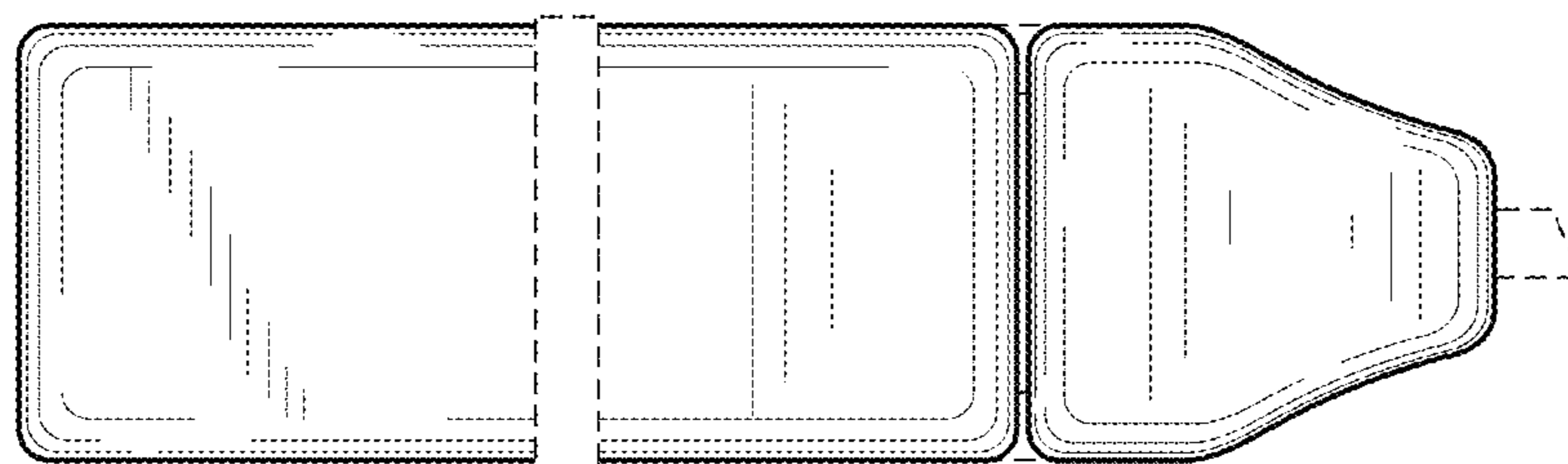


FIG. 1



**FIG. 2**



**FIG. 3**

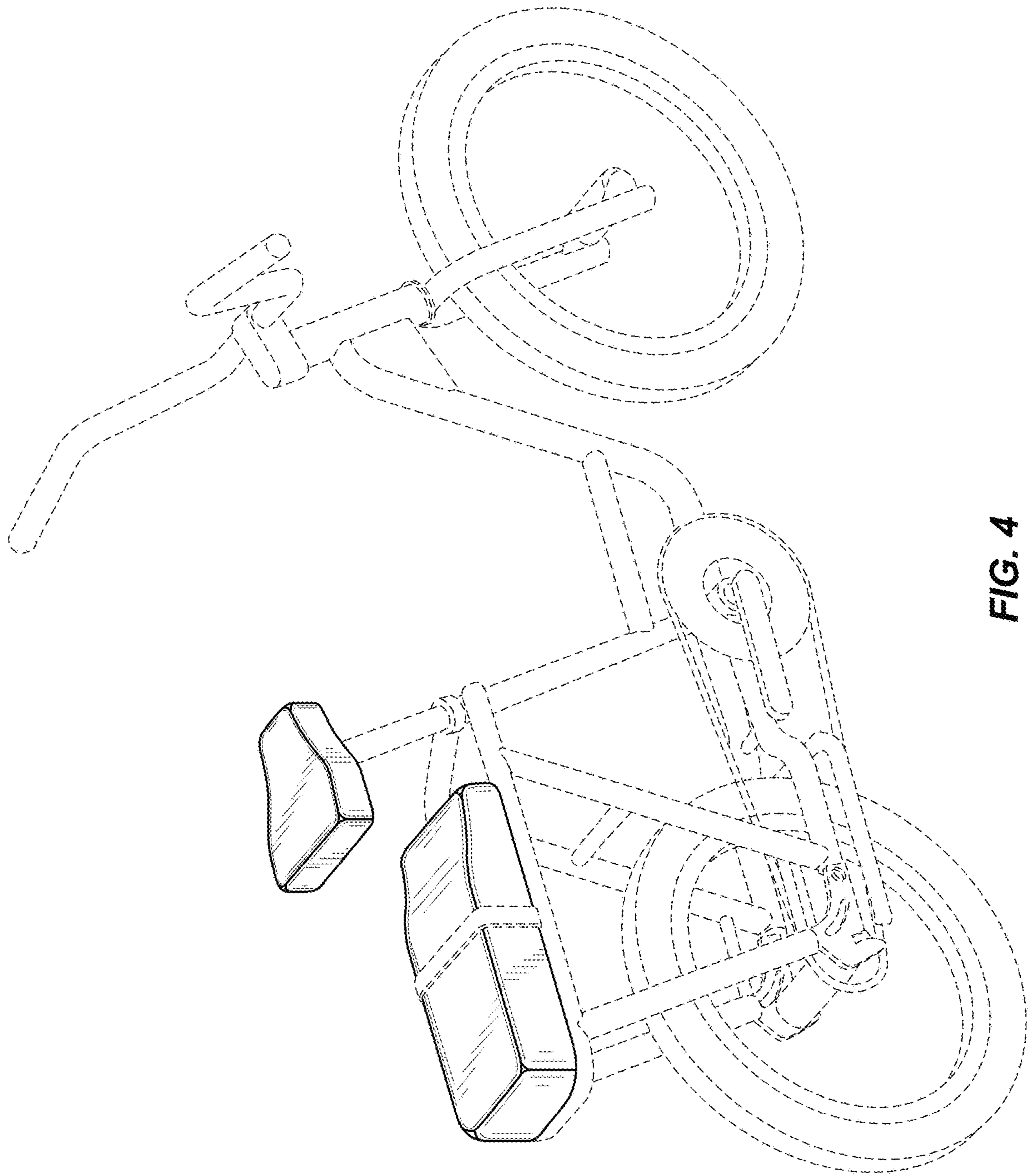
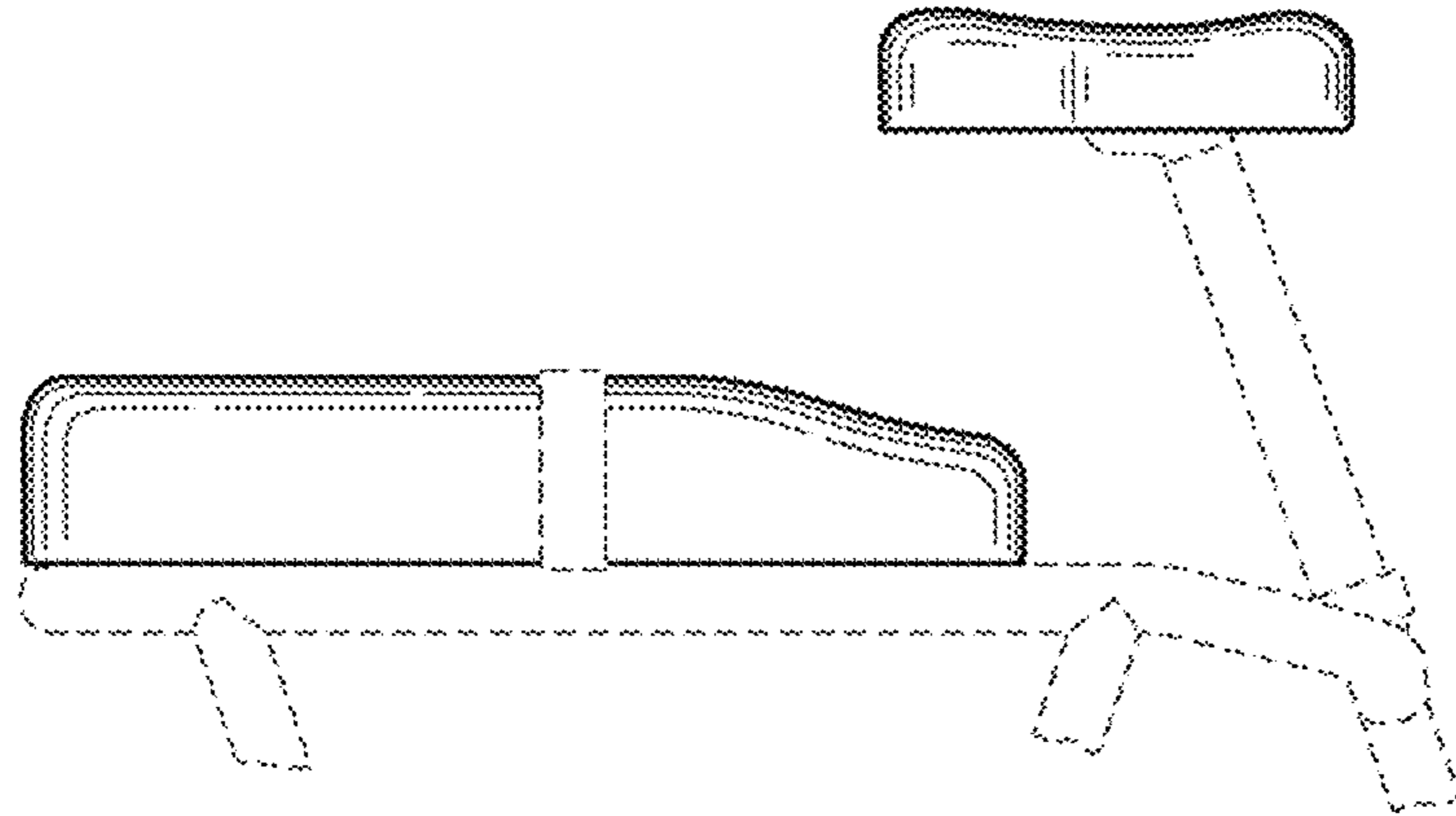
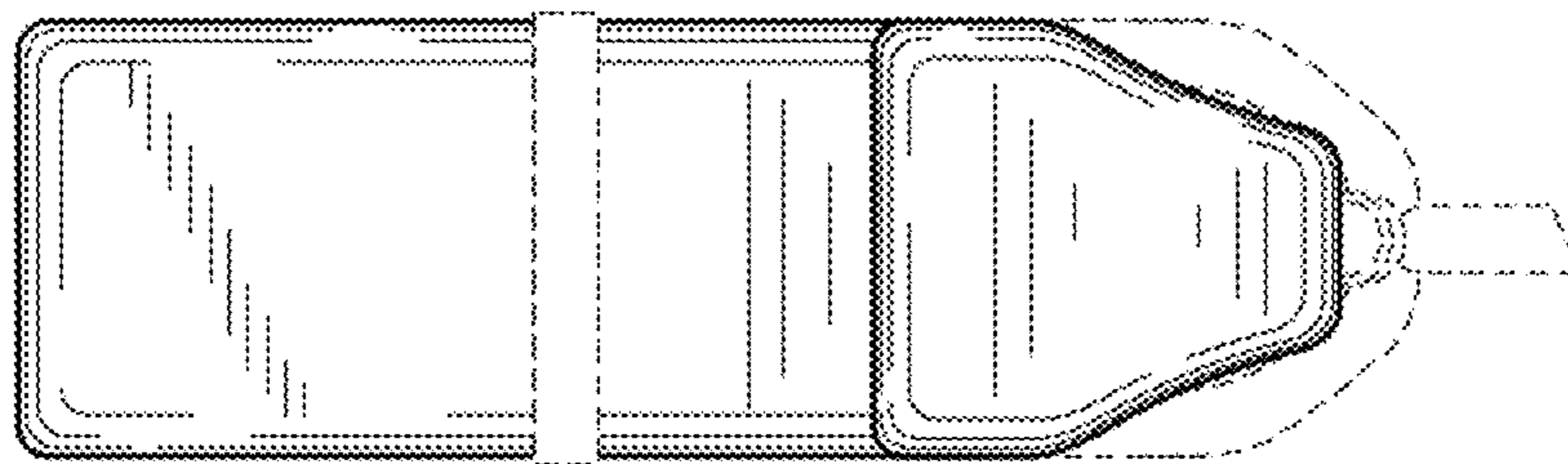


FIG. 4



**FIG. 5**



**FIG. 6**