



US00D898389S

(12) **United States Design Patent** (10) **Patent No.:** **US D898,389 S**
Rottet et al. (45) **Date of Patent:** **** Oct. 13, 2020**

(54) **TABLE**
(71) Applicant: **Haworth, Inc.**, Holland, MI (US)
(72) Inventors: **Lauren Rottet**, Houston, TX (US);
Arne Dassen, Holland, MI (US); **Mark J. Sherman**, Zeeland, MI (US)
(73) Assignee: **Haworth, Inc.**, Holland, MI (US)
(**) Term: **15 Years**
(21) Appl. No.: **29/691,653**
(22) Filed: **May 17, 2019**
(51) **LOC (12) Cl.** **06-03**
(52) **U.S. Cl.**
USPC **D6/341; D6/338**
(58) **Field of Classification Search**
USPC D6/334, 335, 336, 338, 341, 642, 656.15
CPC A47C 17/86; A47C 13/005; A47C 7/68;
A47C 7/70; A47C 7/705; A47B 83/02;
A47B 83/04
See application file for complete search history.

D833,188 S * 11/2018 Kershner D6/691.4
D836,351 S * 12/2018 King D6/336
2009/0212669 A1* 8/2009 Robert-Reitman A47B 46/00
312/204
2017/0208952 A1* 7/2017 Simon A47C 7/004

* cited by examiner

Primary Examiner — Cathron C Brooks

(74) *Attorney, Agent, or Firm* — Warner Norcross + Judd LLP

(57) **CLAIM**

The ornamental design for a table, as shown and described.

DESCRIPTION

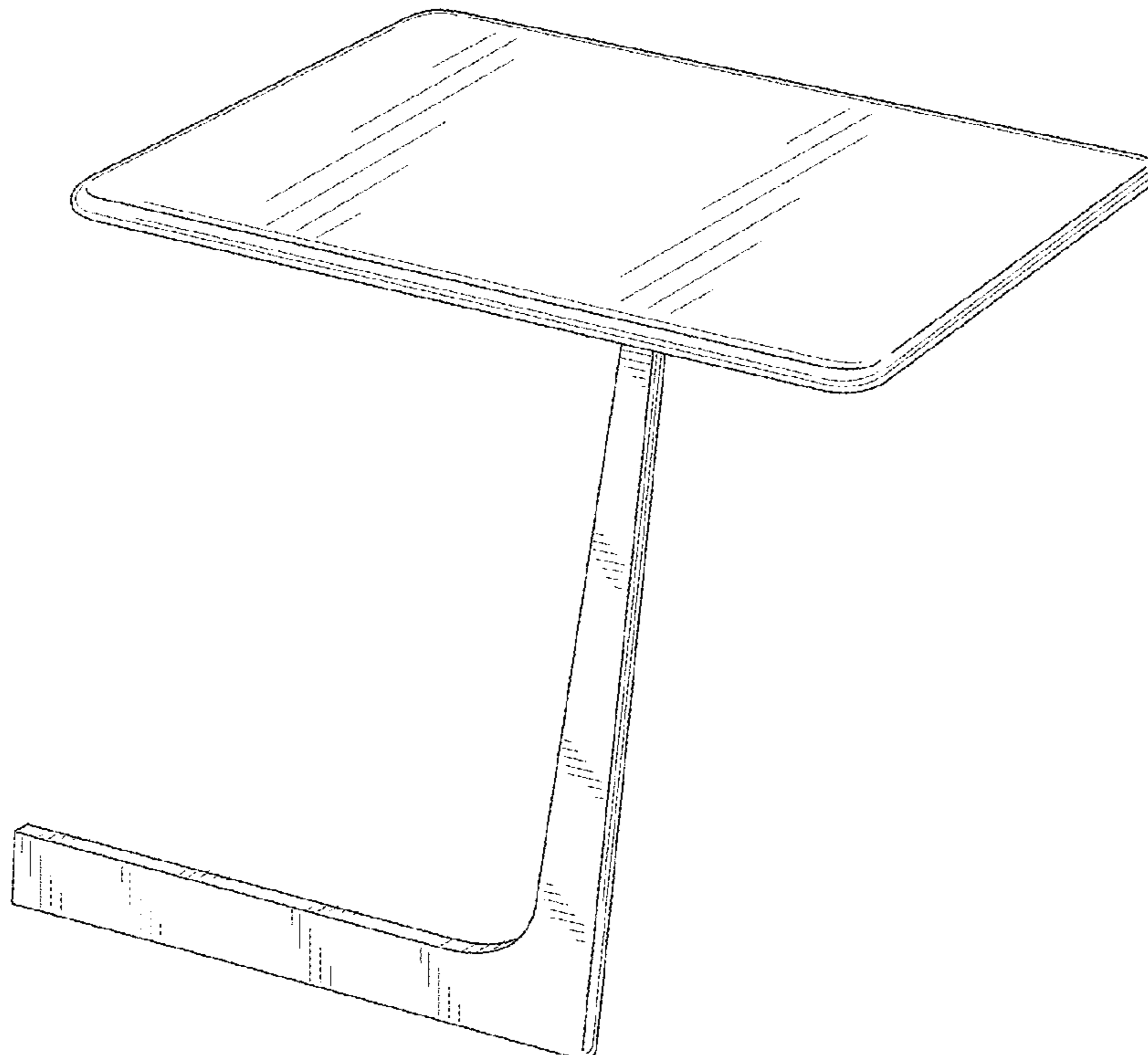
FIG. 1 is a front perspective view of a table embodying the new design;
FIG. 2 is a close-up perspective view of the table;
FIG. 3 is a left side view, the right side being a mirror image thereof;
FIG. 4 is a rear view thereof;
FIG. 5 is a front view thereof;
FIG. 6 is a top view thereof; and,
FIG. 7 is a bottom view thereof.
FIG. 1 shows portions of an article of furniture in broken lines. The portions shown in broken lines are for environmental purposes only and form no part of the claimed design. Line shading is added to convey surface contouring; the line shading is not to be understood as conveying a particular surface finish.

1 Claim, 4 Drawing Sheets

(56) **References Cited**

U.S. PATENT DOCUMENTS

D261,578 S * 11/1981 Heritage D6/338
D261,579 S * 11/1981 Heritage D6/341
D434,915 S * 12/2000 Zapf D6/336
D636,613 S * 4/2011 Overthun D6/338
D674,615 S * 1/2013 Blomstrom D6/341
D694,054 S * 11/2013 Blomstrom D6/716
D793,755 S * 8/2017 Xingchang D6/338



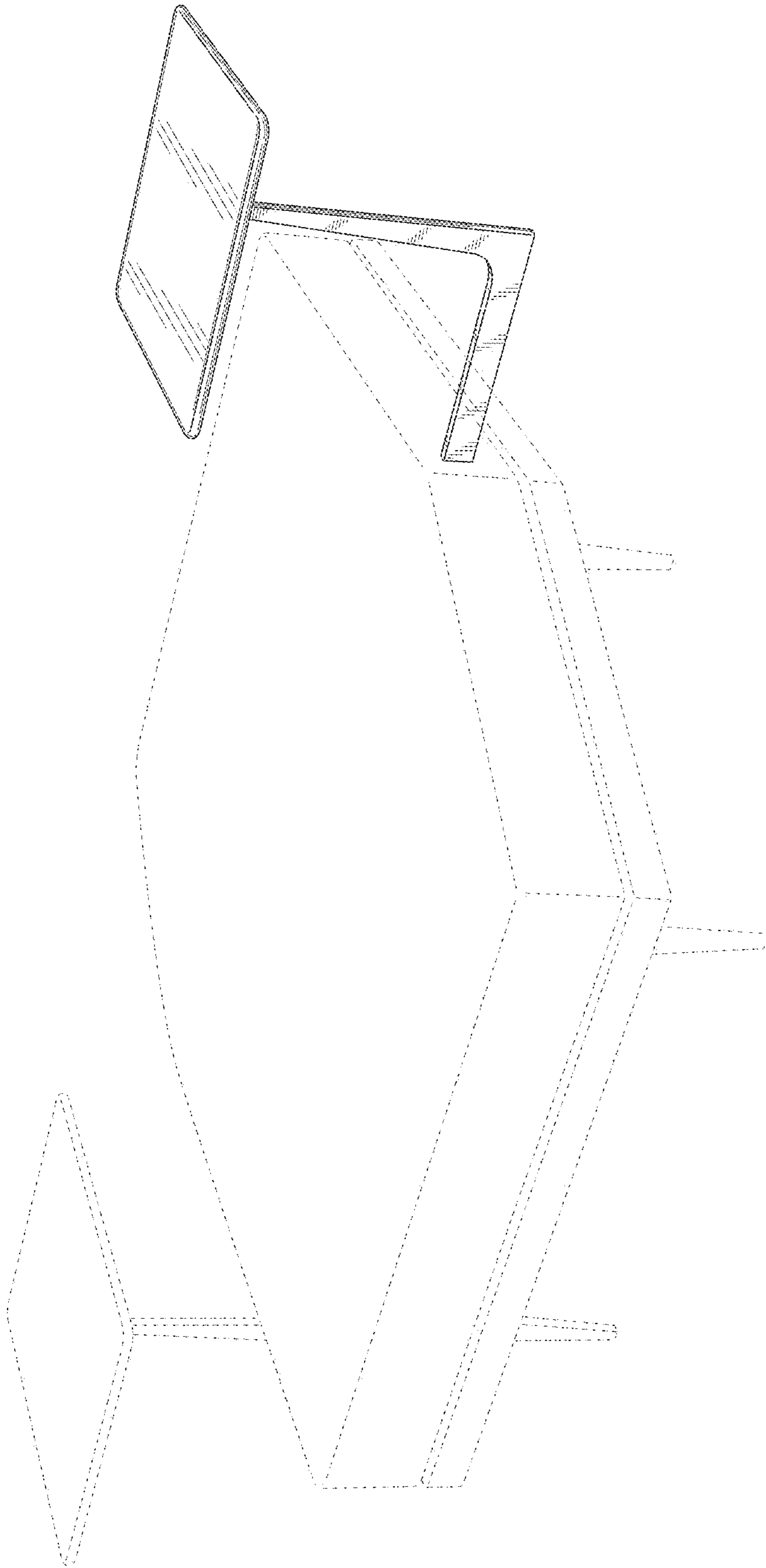


Fig. 1

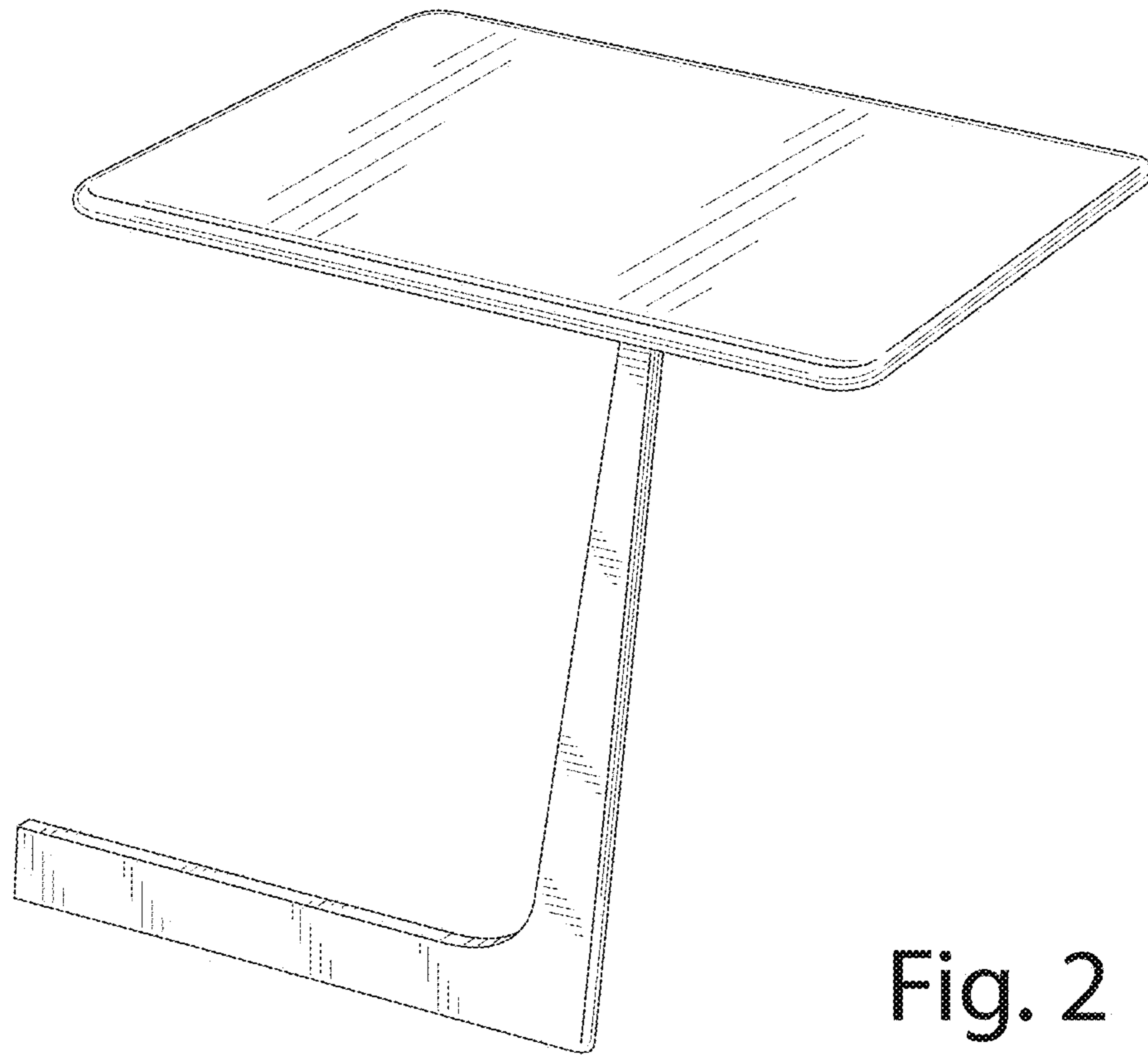


Fig. 2

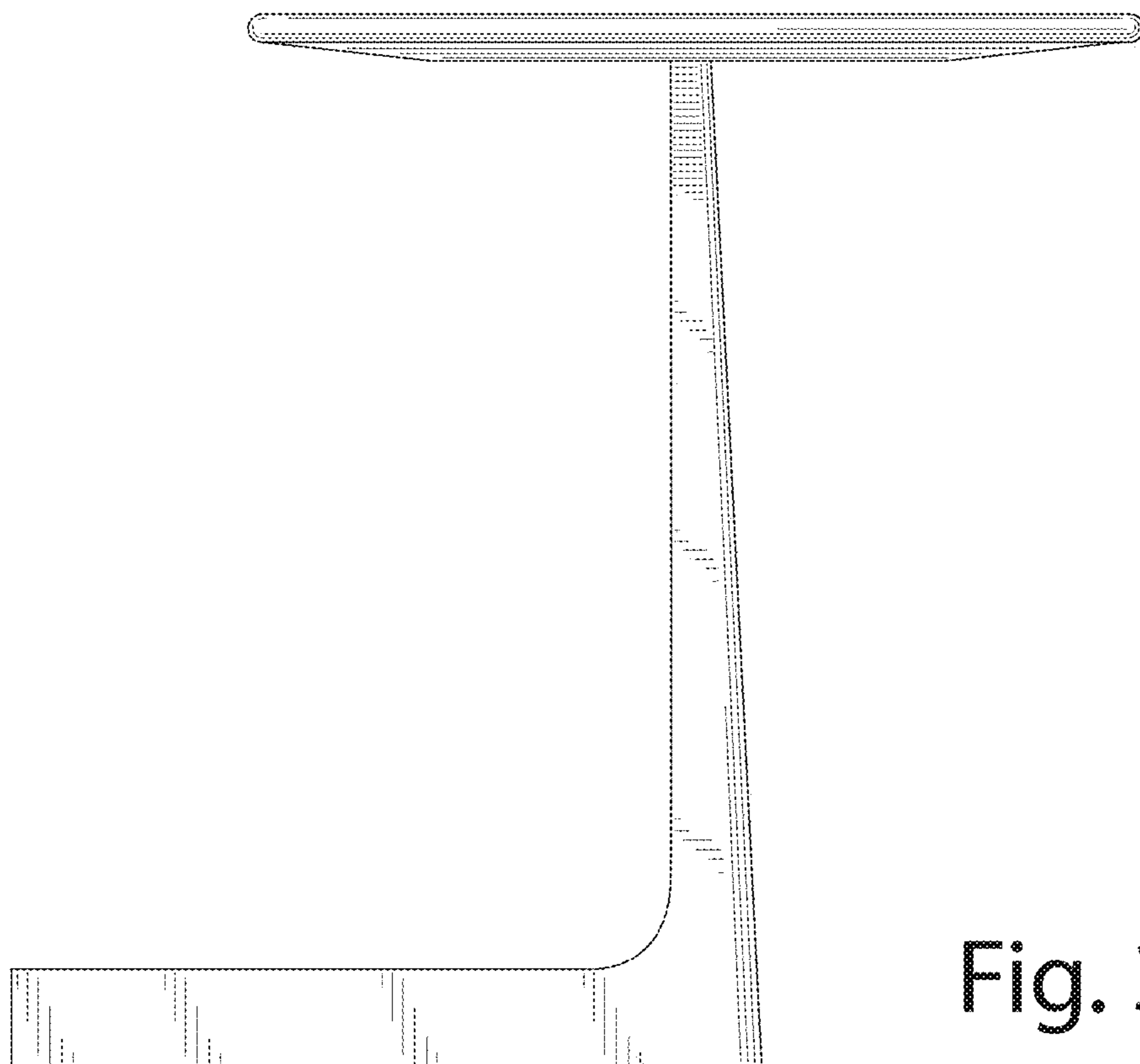


Fig. 3

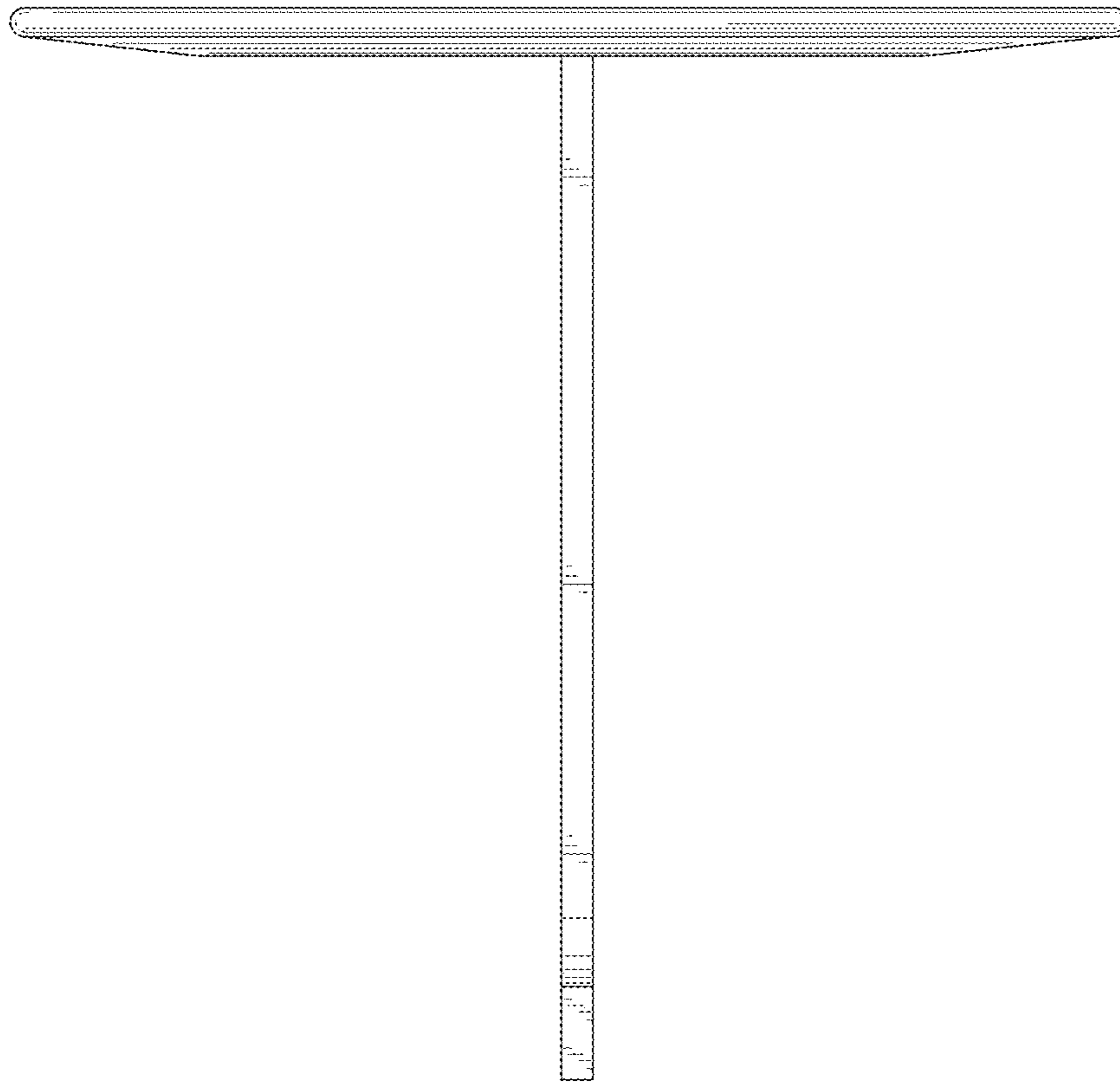


Fig. 4

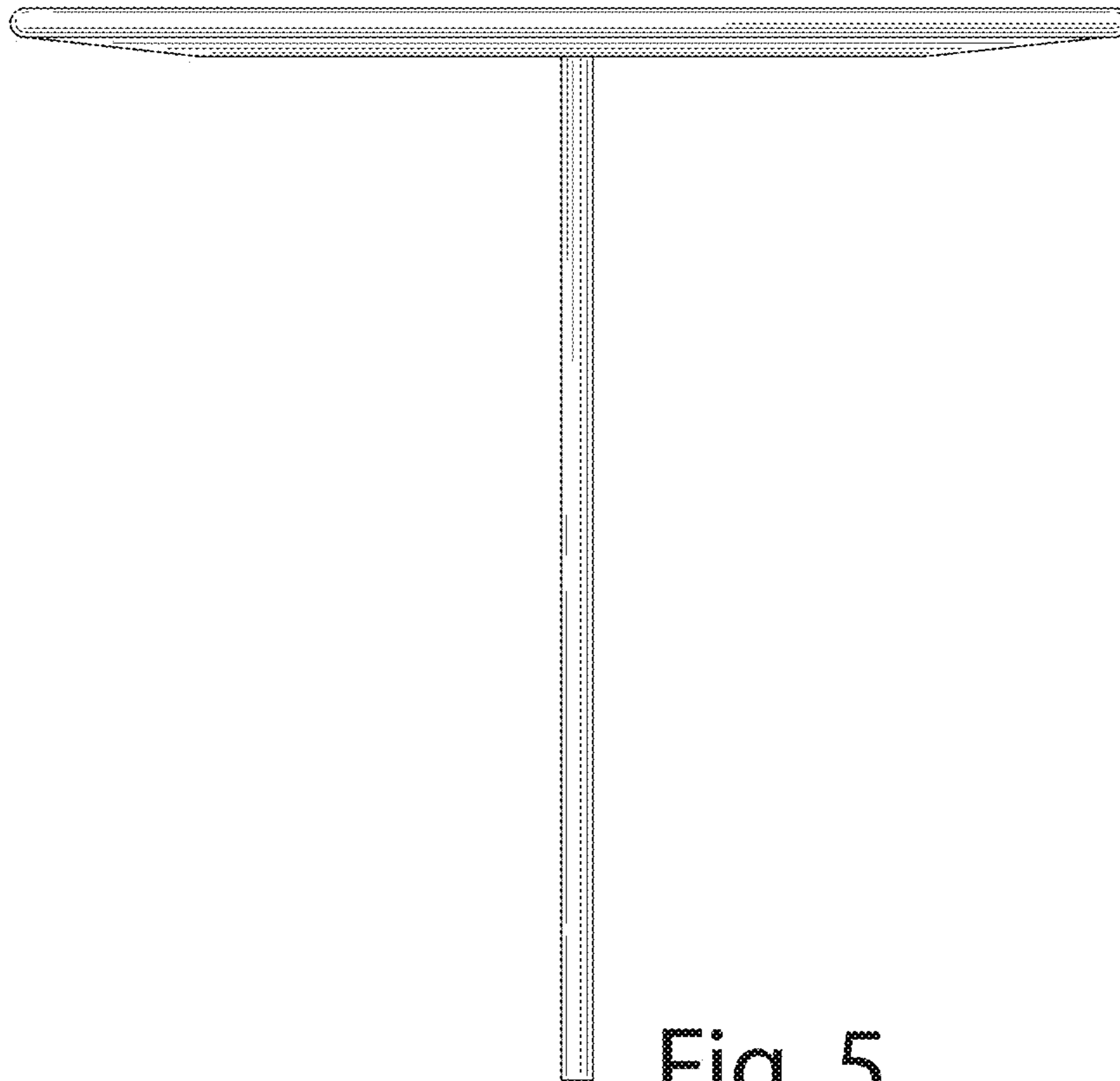


Fig. 5

Fig. 6

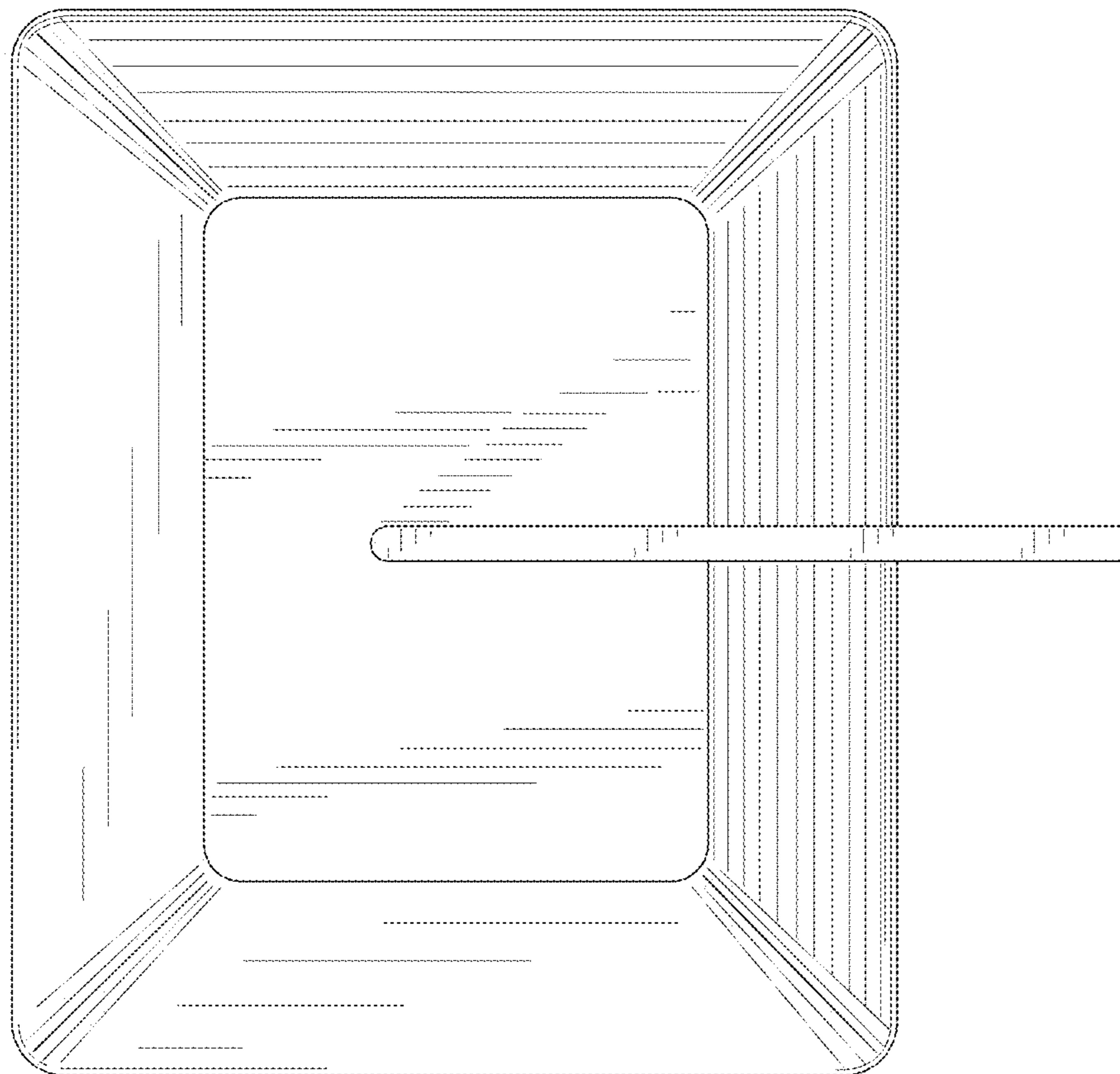
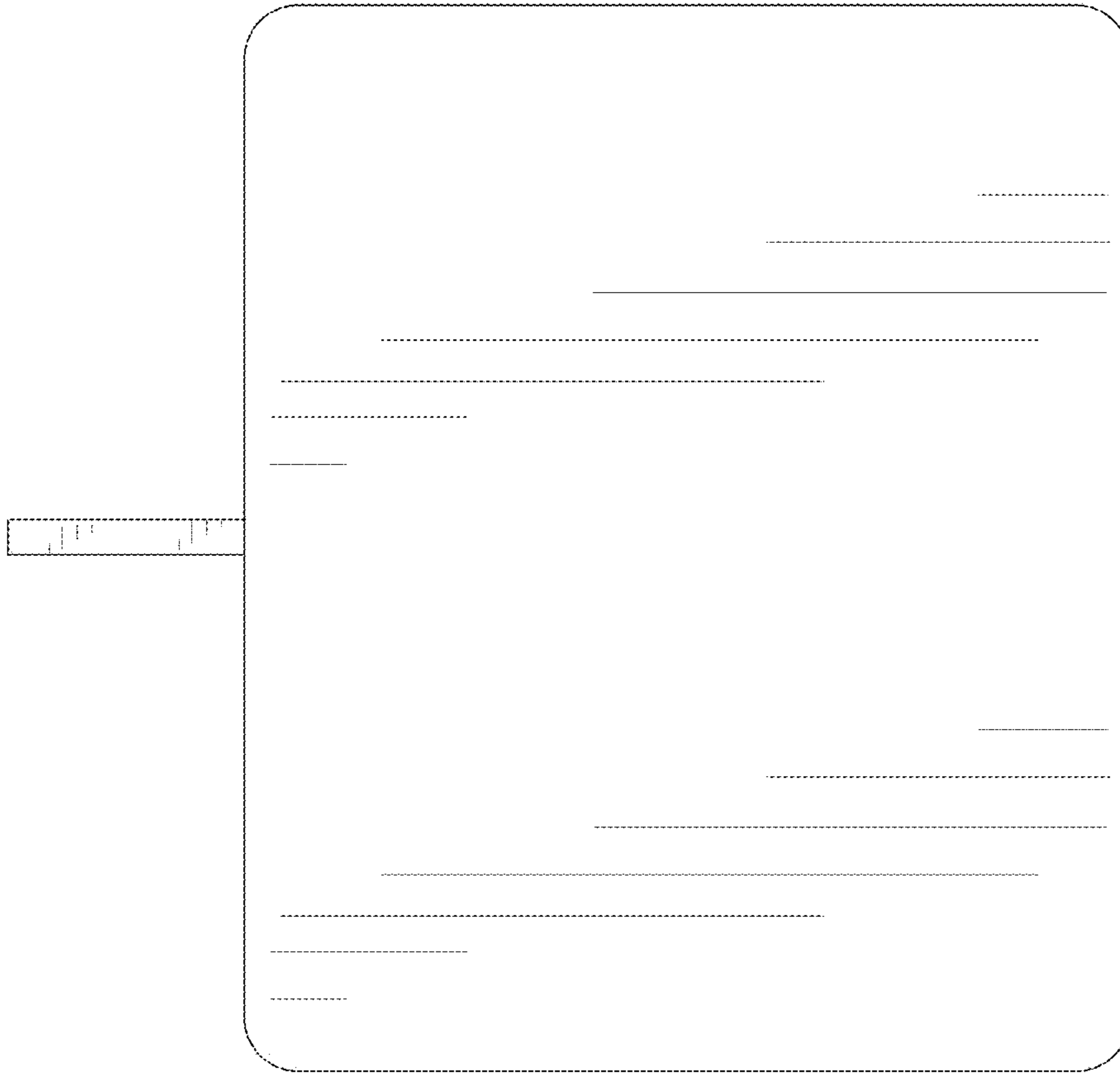


Fig. 7