

US00D898387S

(12) **United States Design Patent** (10) **Patent No.:** **US D898,387 S**  
**Yang** (45) **Date of Patent:** **\*\* Oct. 13, 2020**

(54) **MAKEUP MIRROR**  
(71) Applicant: **DONGGUAN POWERME PLASTIC MFG. CO., LTD.**, Dongguan (CN)

D730,065 S \* 5/2015 Tsai ..... A47G 1/02 D6/310  
D801,059 S 10/2017 Gan  
2008/0278935 A1\* 11/2008 Lin ..... F21S 6/002 362/183

(72) Inventor: **Guowei Yang**, Dongguan (CN)  
(73) Assignee: **DONGGUAN POWERME PLASTIC MFG. CO., LTD.**, Dongguan (CN)

(\*\*) Term: **15 Years**  
(21) Appl. No.: **29/733,844**

(22) Filed: **May 7, 2020**  
(51) **LOC (12) Cl.** ..... **06-07**  
(52) **U.S. Cl.**

(58) **Field of Classification Search**  
USPC ..... **D6/309**; D6/308; D6/312  
USPC ..... D6/300–314; D28/64.1, 64.6  
CPC ... A47G 1/00; A47G 1/02; A47G 1/14; A47G 1/24; A47G 2001/002; A47G 2001/0056; A47G 2001/007; A45D 42/00; A45D 42/10; A45D 42/12; A45D 42/16; A45D 42/24; F21V 21/26; F21V 21/30; F21V 3/00; F21V 3/004; G09F 15/0056; B60J 3/0282; G09B 19/00; B62B 9/005; G02B 7/198

See application file for complete search history.

(56) **References Cited**  
U.S. PATENT DOCUMENTS  
D114,451 S \* 4/1939 Lazarus ..... D6/308  
D509,369 S \* 9/2005 Snell ..... D6/310  
D540,549 S \* 4/2007 Yue ..... D6/312  
8,735,922 B2 \* 5/2014 Tsai ..... A47G 1/02 257/98  
D729,525 S \* 5/2015 Tsai ..... D6/300

**OTHER PUBLICATIONS**

Sagler Vanity Mirror—Amazon.com <https://www.amazon.com/Sagler-Tabletop-Two-Sided-Magnification-11-inch/dp/B013RX4C50> retrieved from the internet on Jul. 27, 2020.\*  
Reflections 3-way touch control lighted mirror—Conair.com <https://www.conair.com/c/30g152b153/3way-touch-control-lighted-mirror/114> retrieved from the internet on Jul. 27, 2020.\*

\* cited by examiner

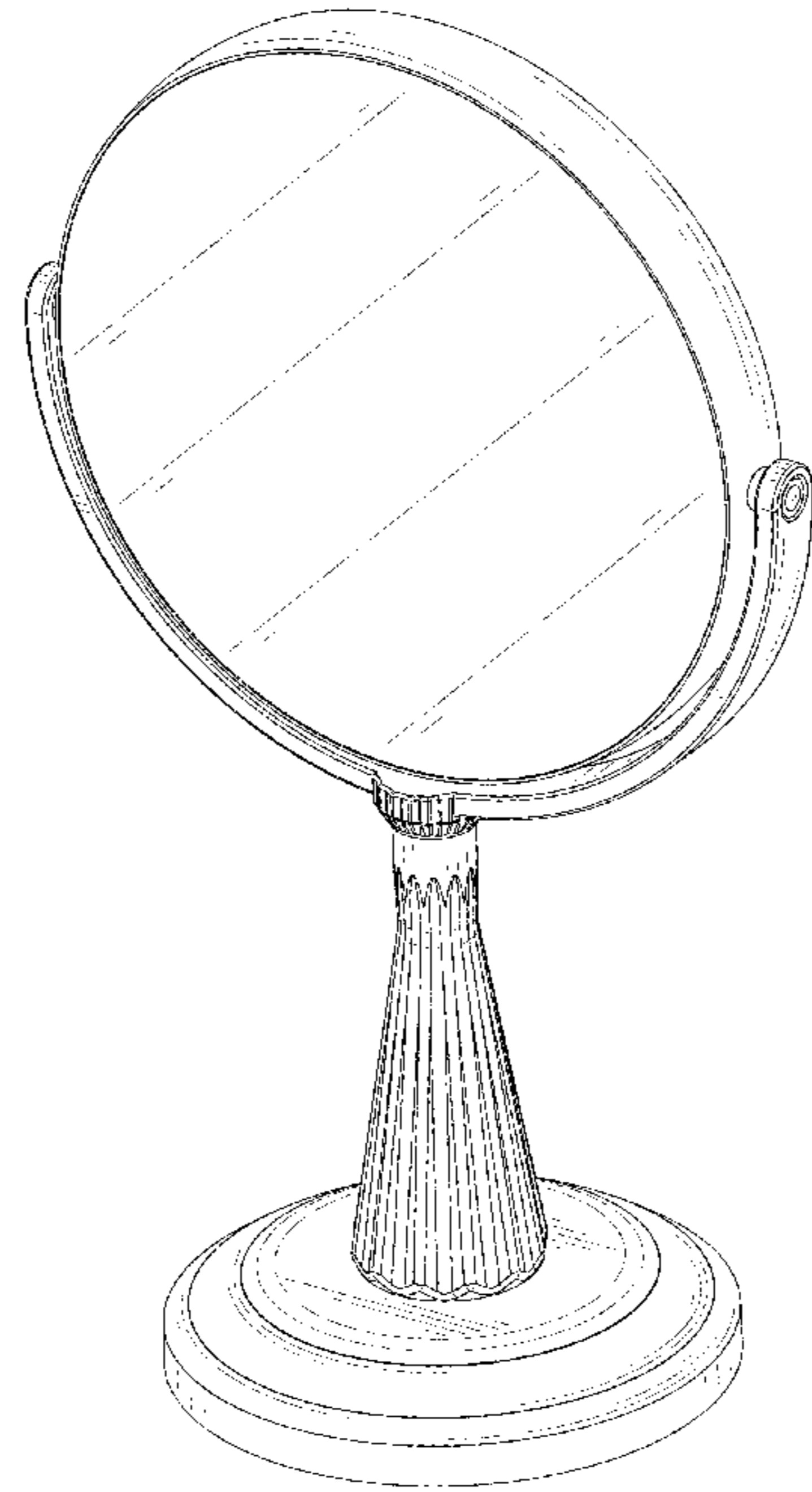
*Primary Examiner* — Mary Ann Calabrese

(57) **CLAIM**  
The ornamental design for a makeup mirror, as shown and described.

**DESCRIPTION**

FIG. 1 is a front perspective view of a makeup mirror showing my new design;  
FIG. 2 is a rear perspective view thereof;  
FIG. 3 is a front elevational view thereof;  
FIG. 4 is a rear elevational view thereof;  
FIG. 5 is a left side elevational view thereof;  
FIG. 6 is a right side elevational view thereof;  
FIG. 7 is a top plan view thereof;  
FIG. 8 is a bottom plan view thereof; and,  
FIG. 9 is a front perspective view of the makeup mirror where the makeup mirror is in an alternate configuration of use.  
The broken lines in the drawings depict portions of the makeup mirror that form no part of the claimed design.

**1 Claim, 9 Drawing Sheets**



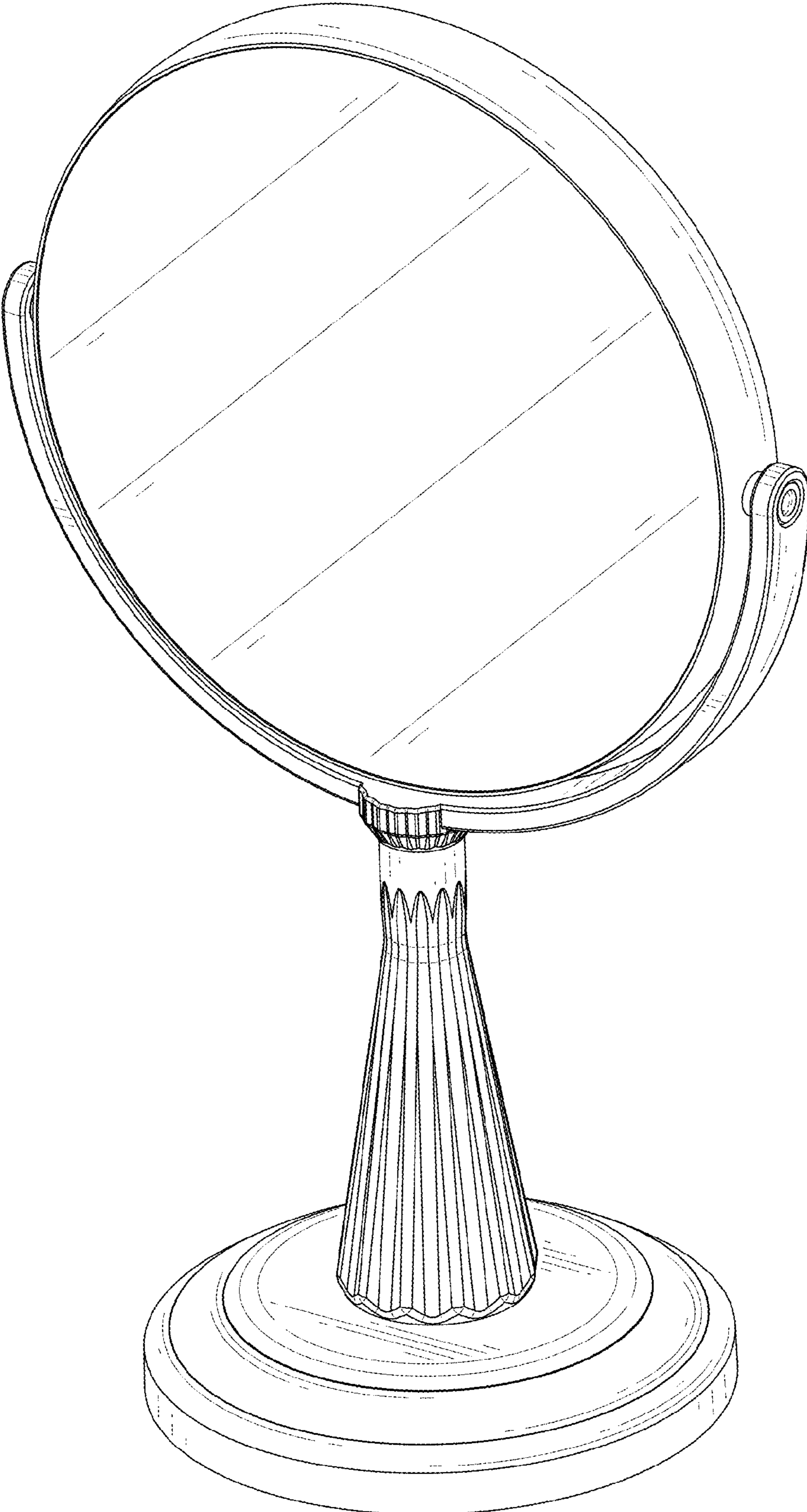


FIG. 1

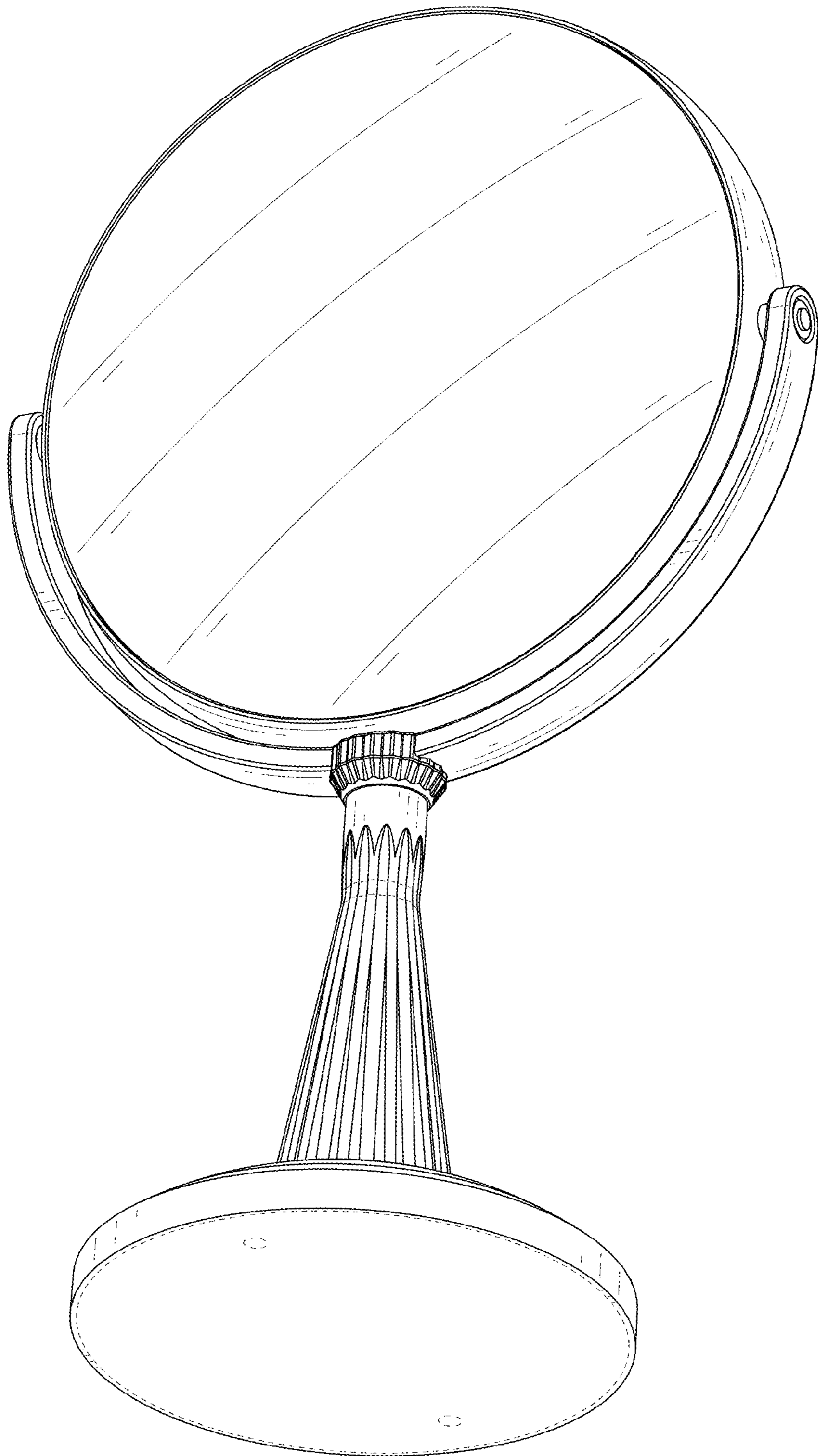


FIG. 2



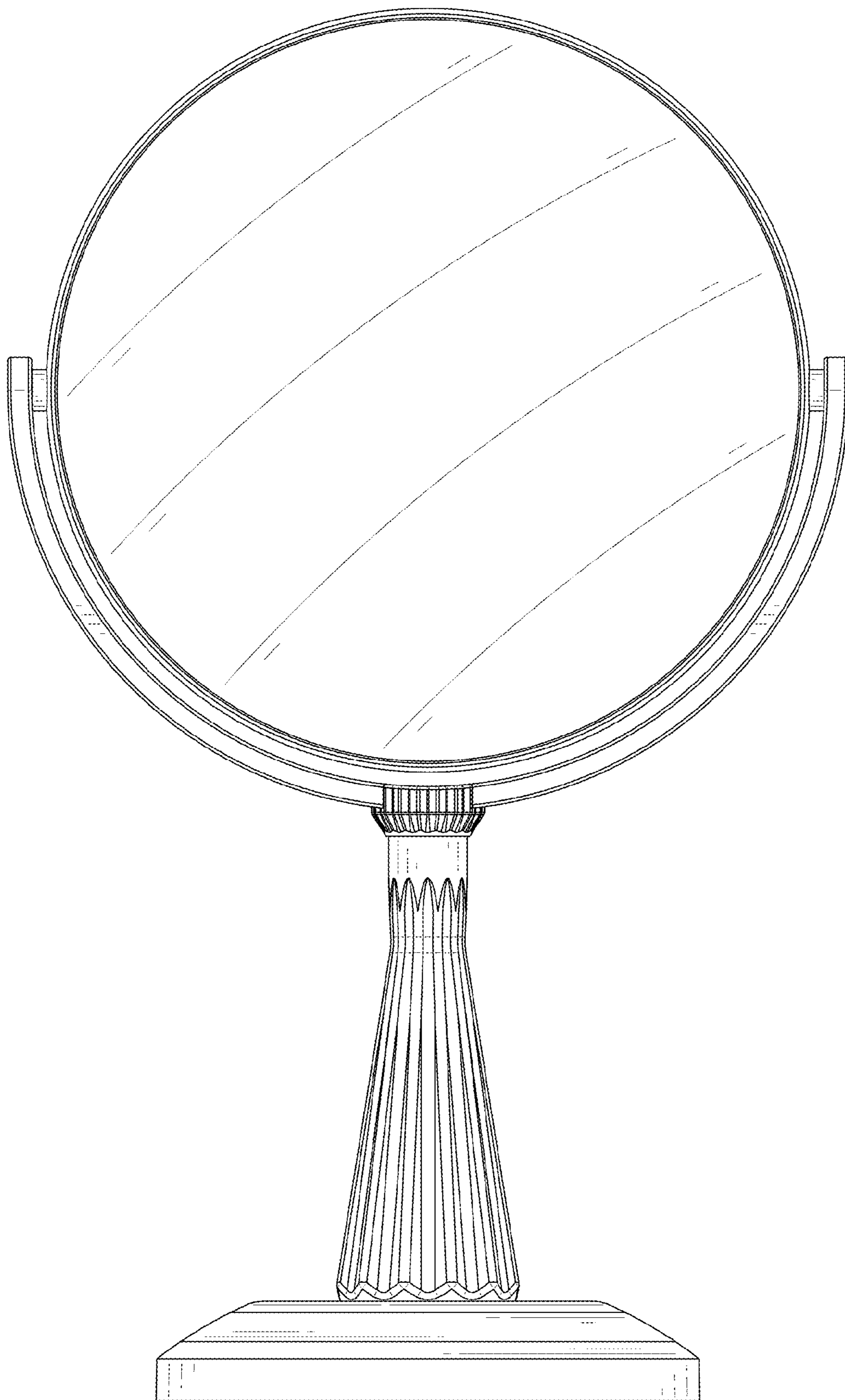


FIG. 3

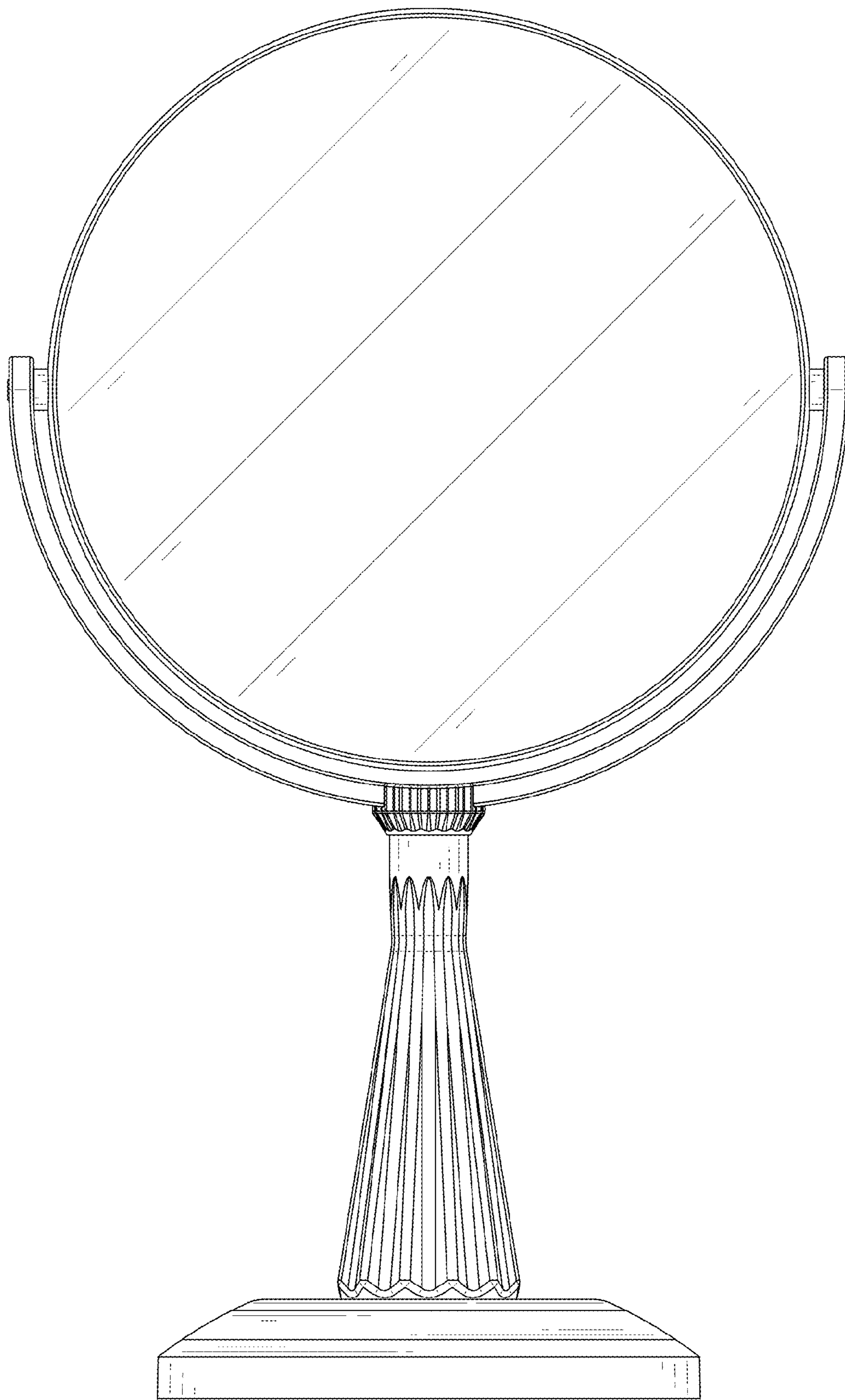


FIG. 4

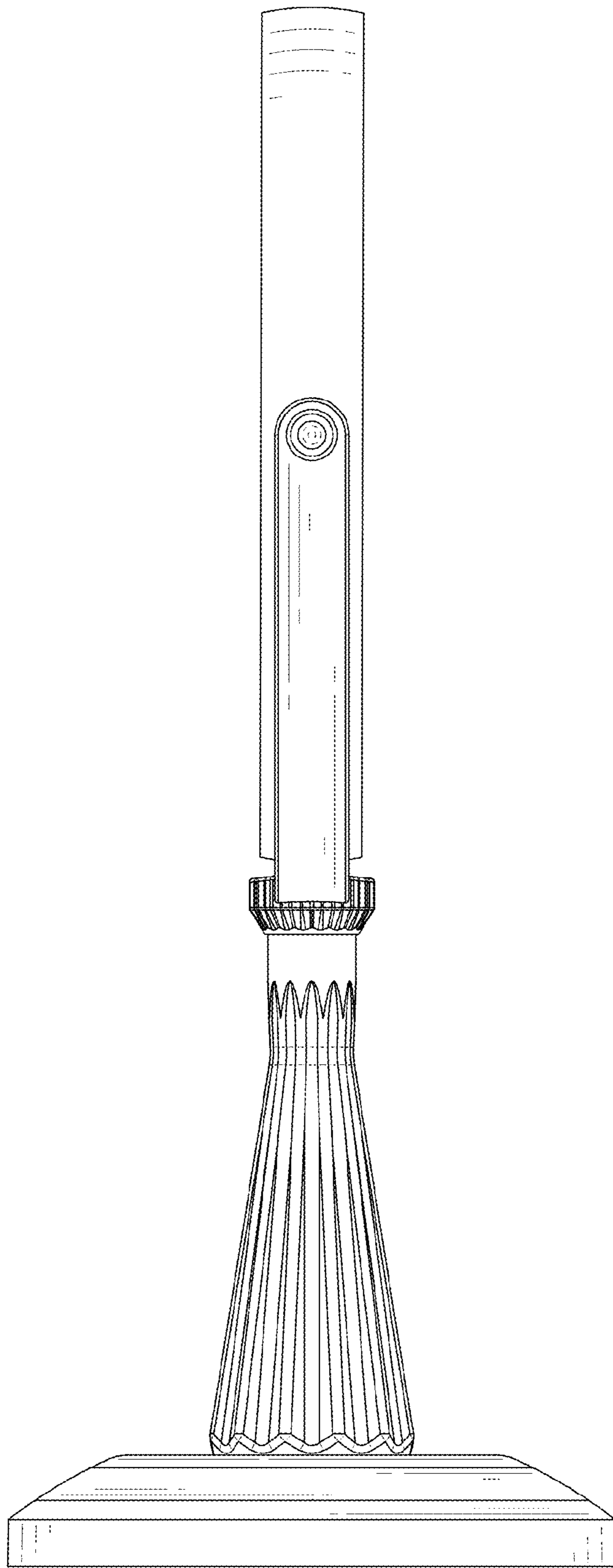


FIG. 5

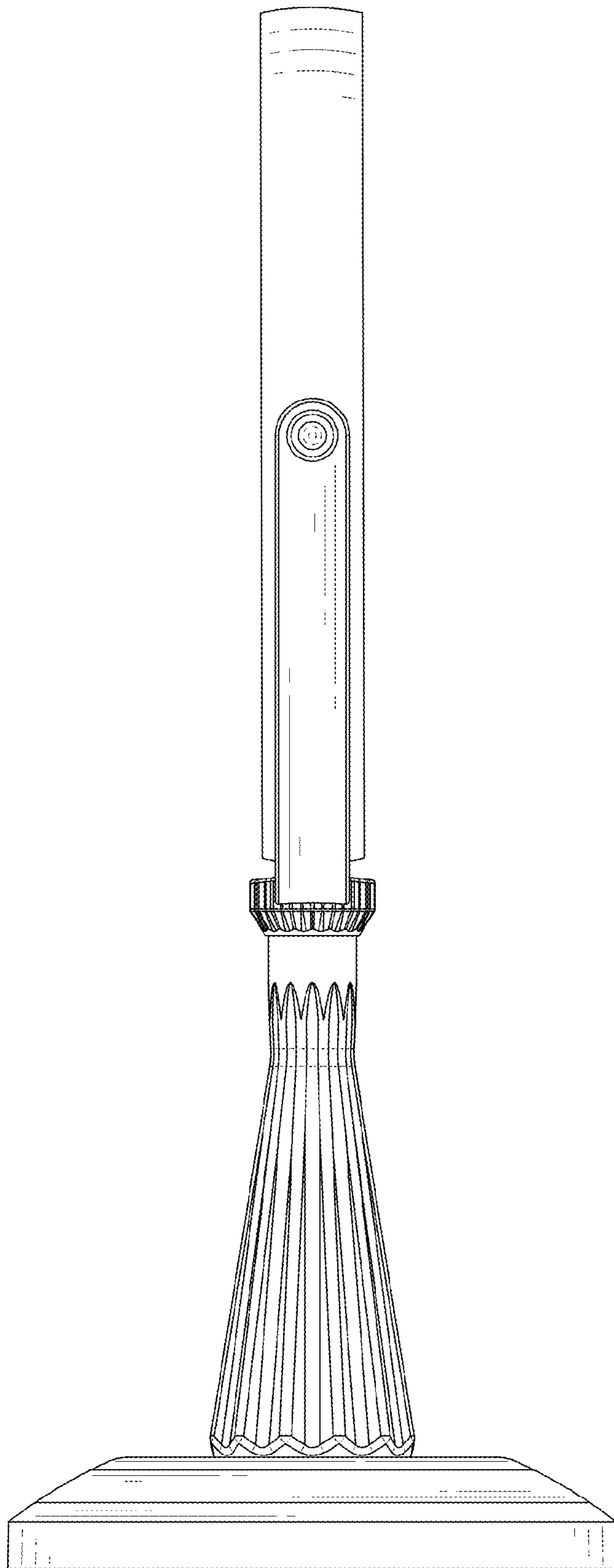


FIG. 6

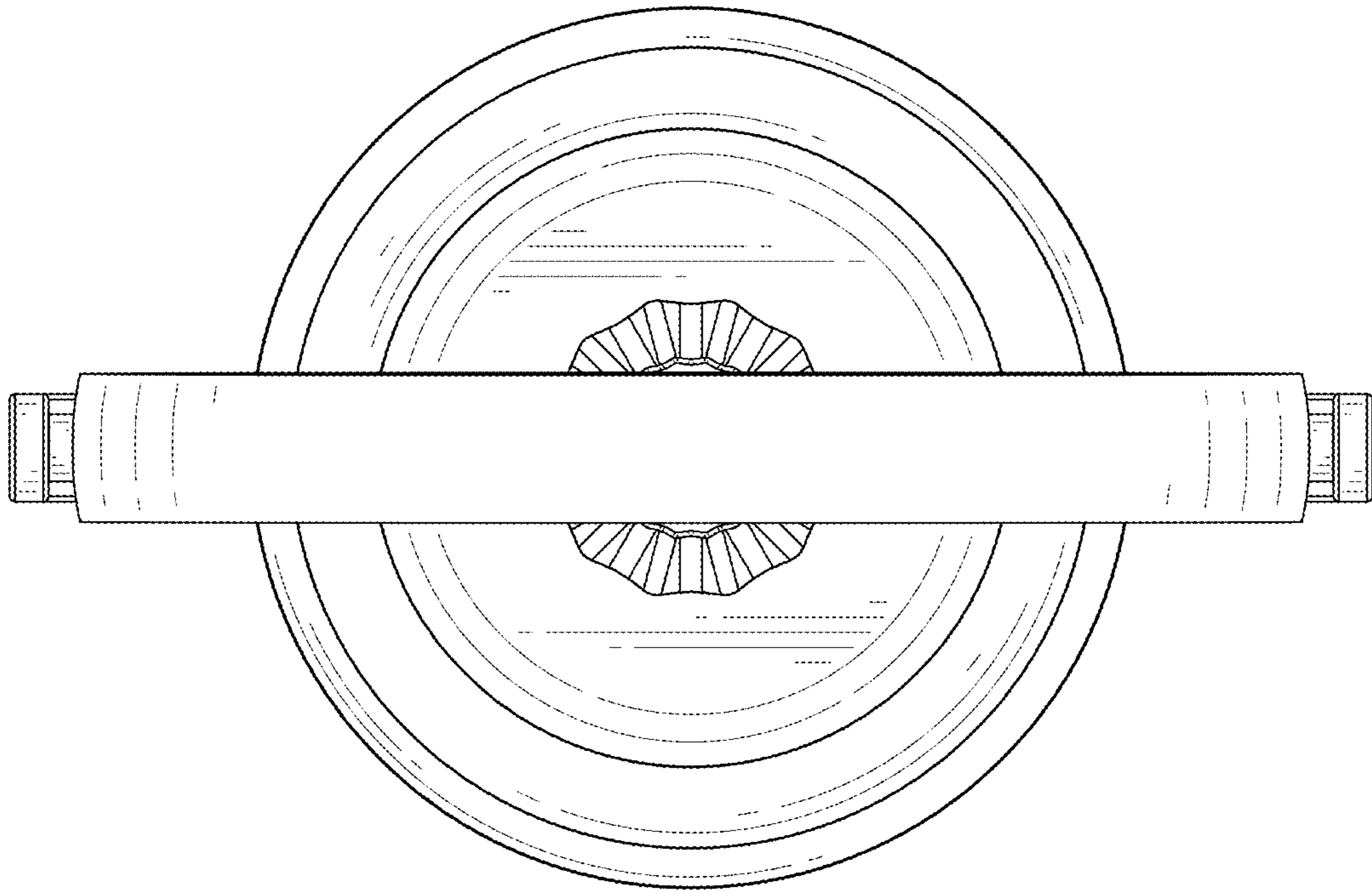


FIG. 7



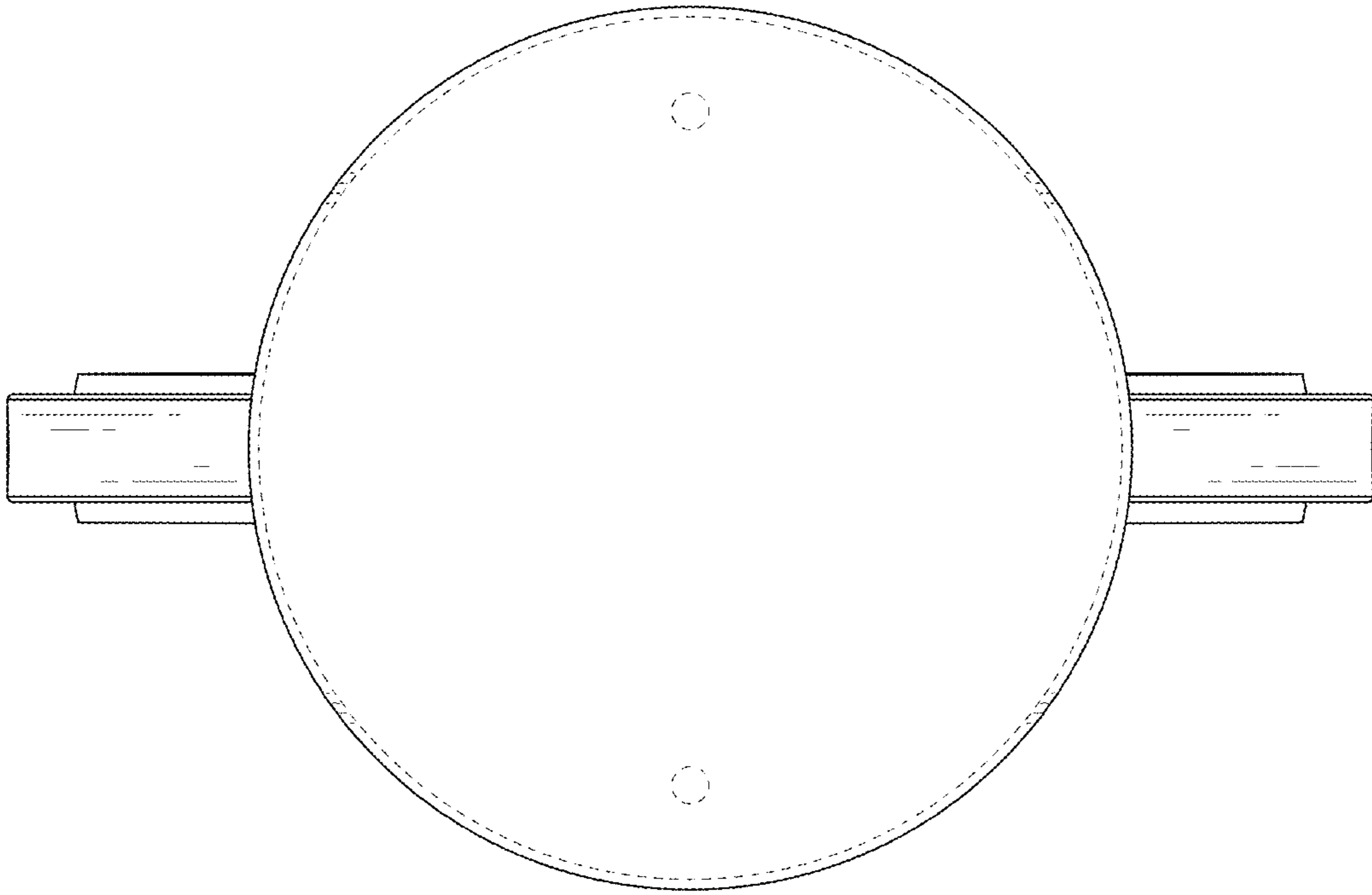


FIG. 8

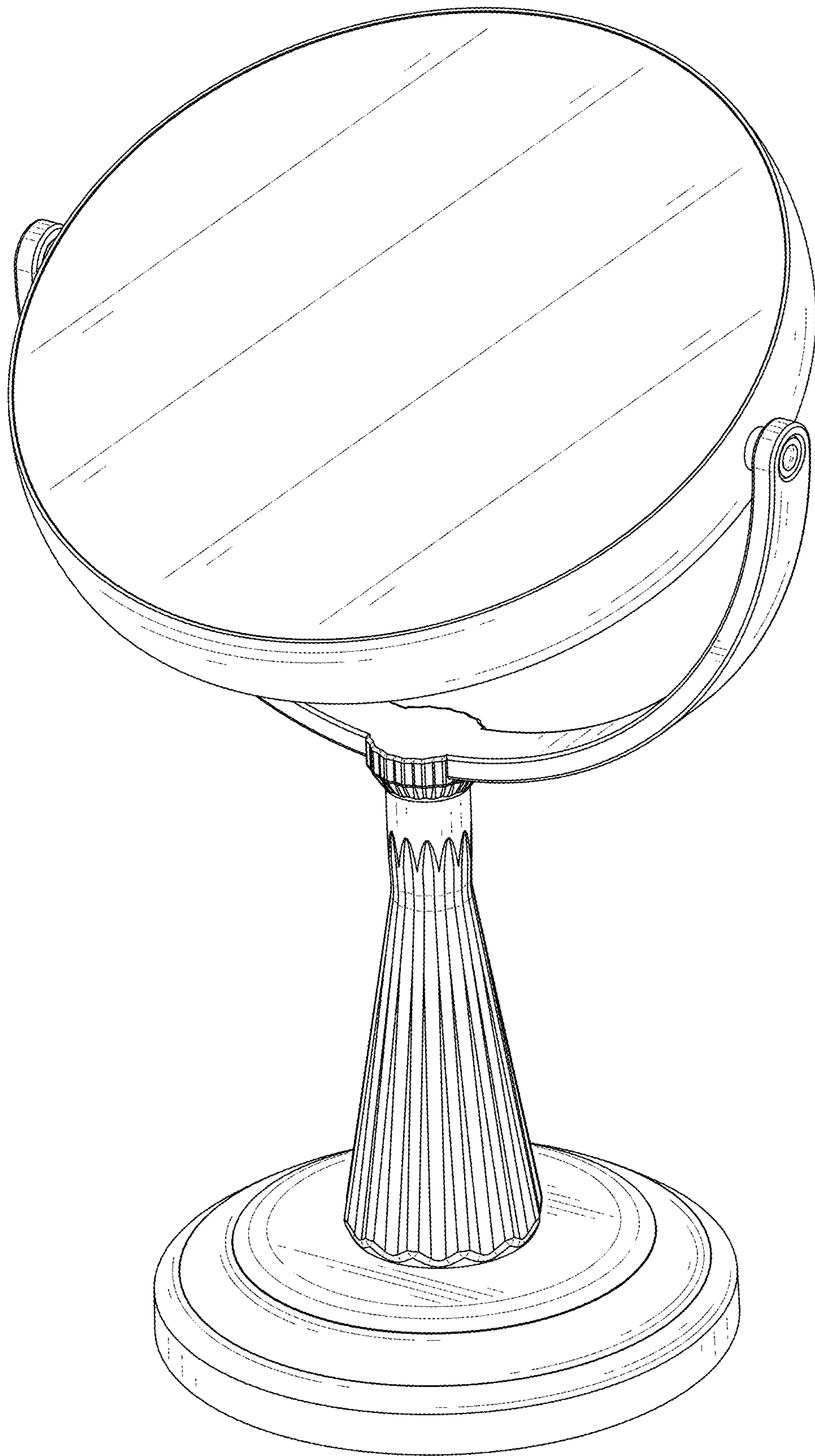


FIG. 9