



US00D898386S

(12) **United States Design Patent**  
**Huang**

(10) **Patent No.:** **US D898,386 S**

(45) **Date of Patent:** **\*\* Oct. 13, 2020**

(54) **MAKEUP MIRROR**

D874,161 S \* 2/2020 Yang ..... D6/309  
D879,481 S \* 3/2020 Yang ..... D6/309  
D885,769 S \* 6/2020 Wang ..... D6/309

(71) Applicant: **Shun Huang**, Shenzhen (CN)

(72) Inventor: **Shun Huang**, Shenzhen (CN)

(\*\*) Term: **15 Years**

FOREIGN PATENT DOCUMENTS

EM 005293206-0002 \* 6/2018

(21) Appl. No.: **29/703,341**

OTHER PUBLICATIONS

(22) Filed: **Aug. 27, 2019**

Lighted Makeup Mirror [online], [site visited Jul. 15, 2020]. Available from internet, URL:<[https://www.amazon.com/dp/B082TMQ5F6/ref=sspa\\_dk\\_detail\\_0?psc=1&pd\\_rd\\_i=B082TMC25F6&pd\\_rd\\_w=>](https://www.amazon.com/dp/B082TMQ5F6/ref=sspa_dk_detail_0?psc=1&pd_rd_i=B082TMC25F6&pd_rd_w=>) (Year: 2020).\*

(51) **LOC (12) Cl.** ..... **06-07**

(52) **U.S. Cl.**  
USPC ..... **D6/309; D6/300**

(58) **Field of Classification Search**  
USPC ..... D6/300, 301, 302, 303, 304, 307, 308, D6/309, 310, 311, 312, 313, 314; D14/336, 341, 371, 372, 374, 381, 382, D14/448, 450  
CPC ..... A47G 1/0616; A47G 1/142; A47G 2001/0694; A47G 1/06; A47G 1/0605; A47G 1/0633; A47G 1/0638; A47G 1/0644; A47G 1/08; A47G 1/10; A47G 1/14; A47G 1/141; A47G 1/16; A47G 1/1606; A47G 1/1613; A47G 2001/0661; A47G 2001/0672; A47G 2001/0688; A47G 2001/148; A47G 1/00; A47G 1/02; G06F 1/1654

See application file for complete search history.

\* cited by examiner

*Primary Examiner* — Cynthia Ramirez  
*Assistant Examiner* — Xavier Marti-Santos

(56) **References Cited**

U.S. PATENT DOCUMENTS

D334,667 S \* 4/1993 Lonczak ..... D6/308  
D699,952 S \* 2/2014 Yang ..... D6/309  
D701,050 S \* 3/2014 Yang ..... D6/309  
D736,001 S \* 8/2015 Yang ..... D6/309  
D840,699 S \* 2/2019 Xie ..... D6/309  
D846,288 S \* 4/2019 Yang ..... D6/309

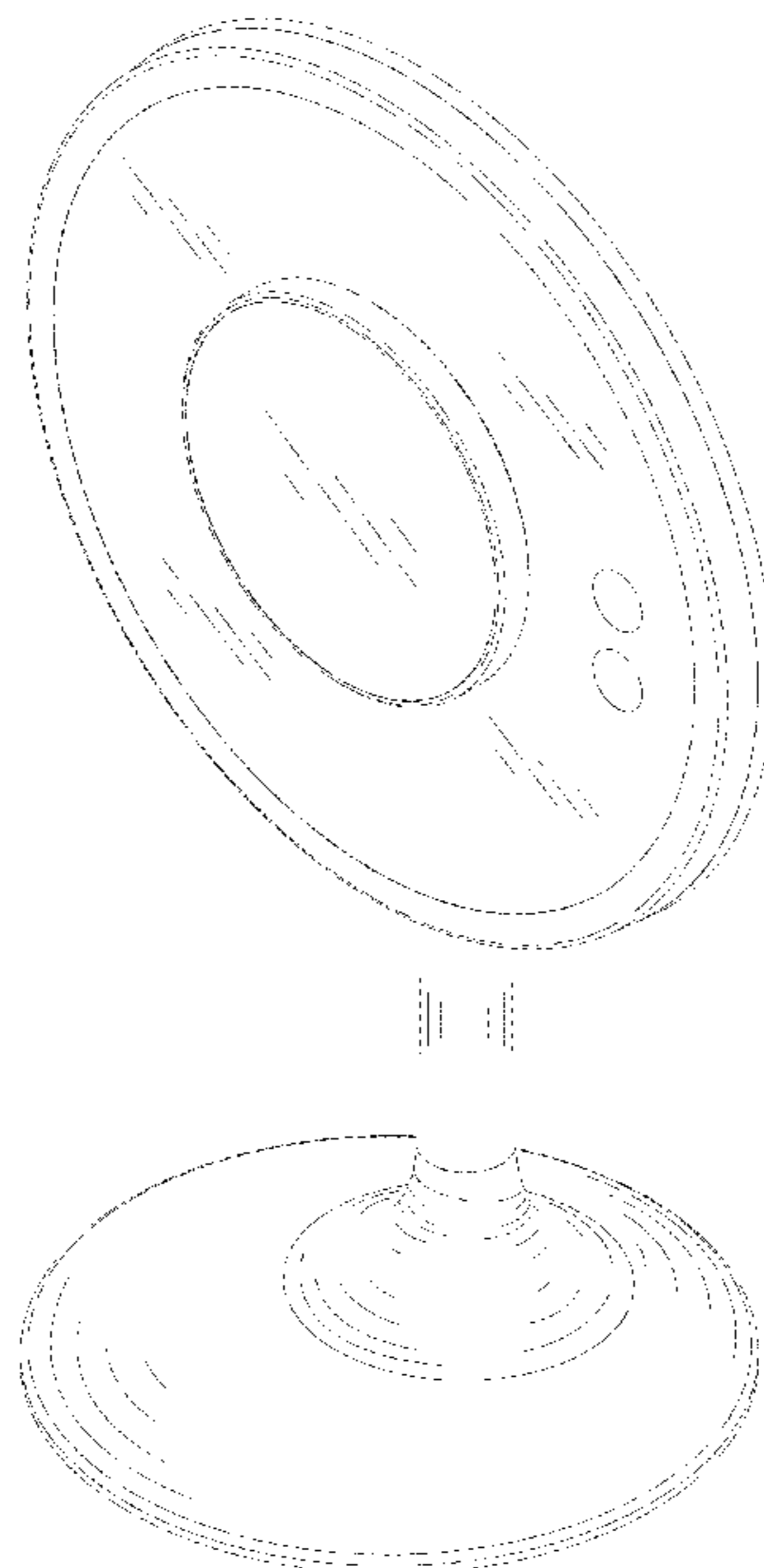
(57) **CLAIM**

The ornamental design for a makeup mirror, as shown and described.

**DESCRIPTION**

FIG. 1 is a front, top perspective view of the makeup mirror showing my new design;  
FIG. 2 is a rear, bottom perspective view thereof;  
FIG. 3 is a front elevational view thereof;  
FIG. 4 is a rear elevational view thereof;  
FIG. 5 is a left side elevational view thereof;  
FIG. 6 is a right side elevational view thereof;  
FIG. 7 is a top plan view thereof; and,  
FIG. 8 is a bottom plan view thereof.

**1 Claim, 8 Drawing Sheets**



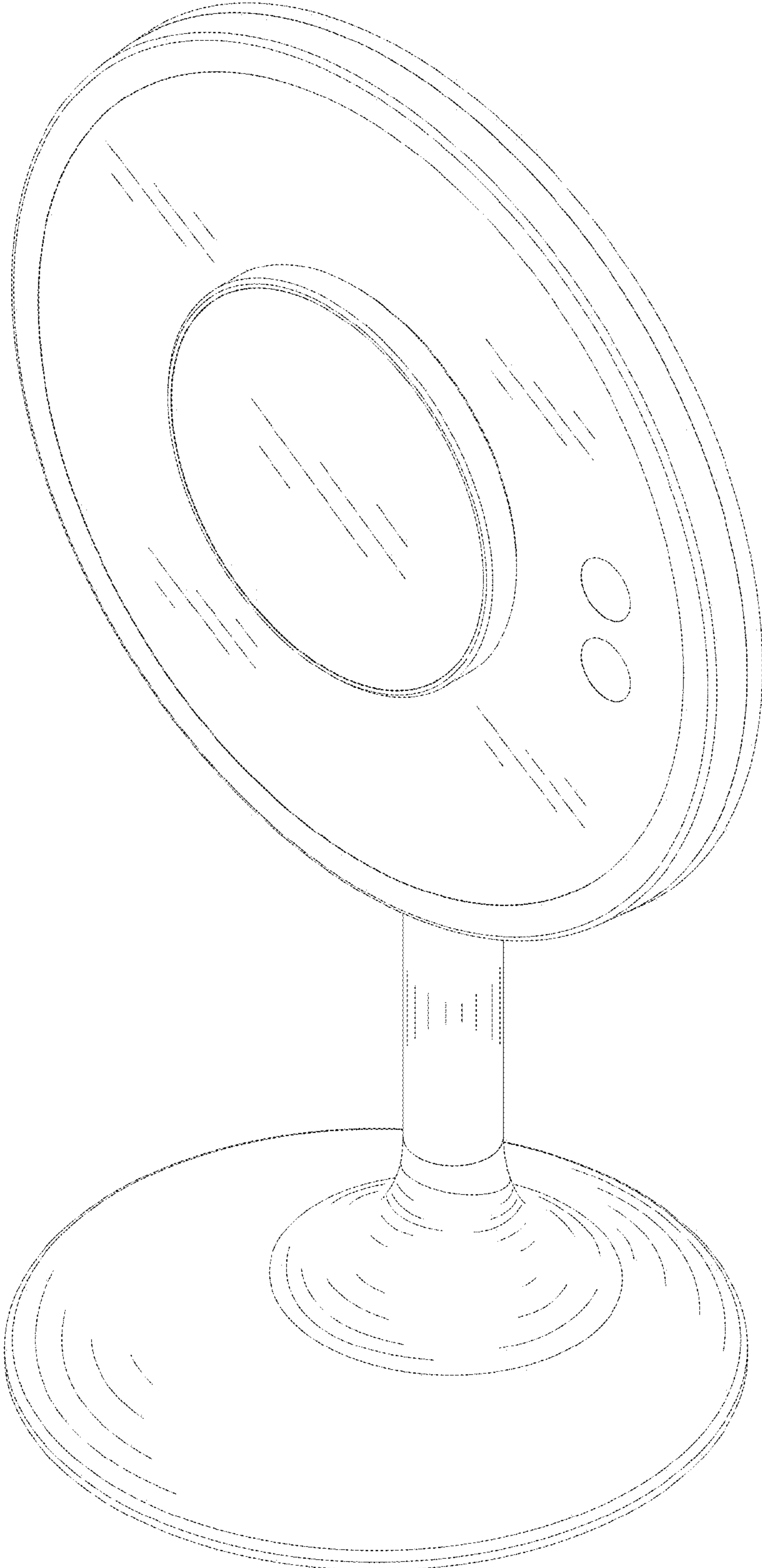


FIG. 1

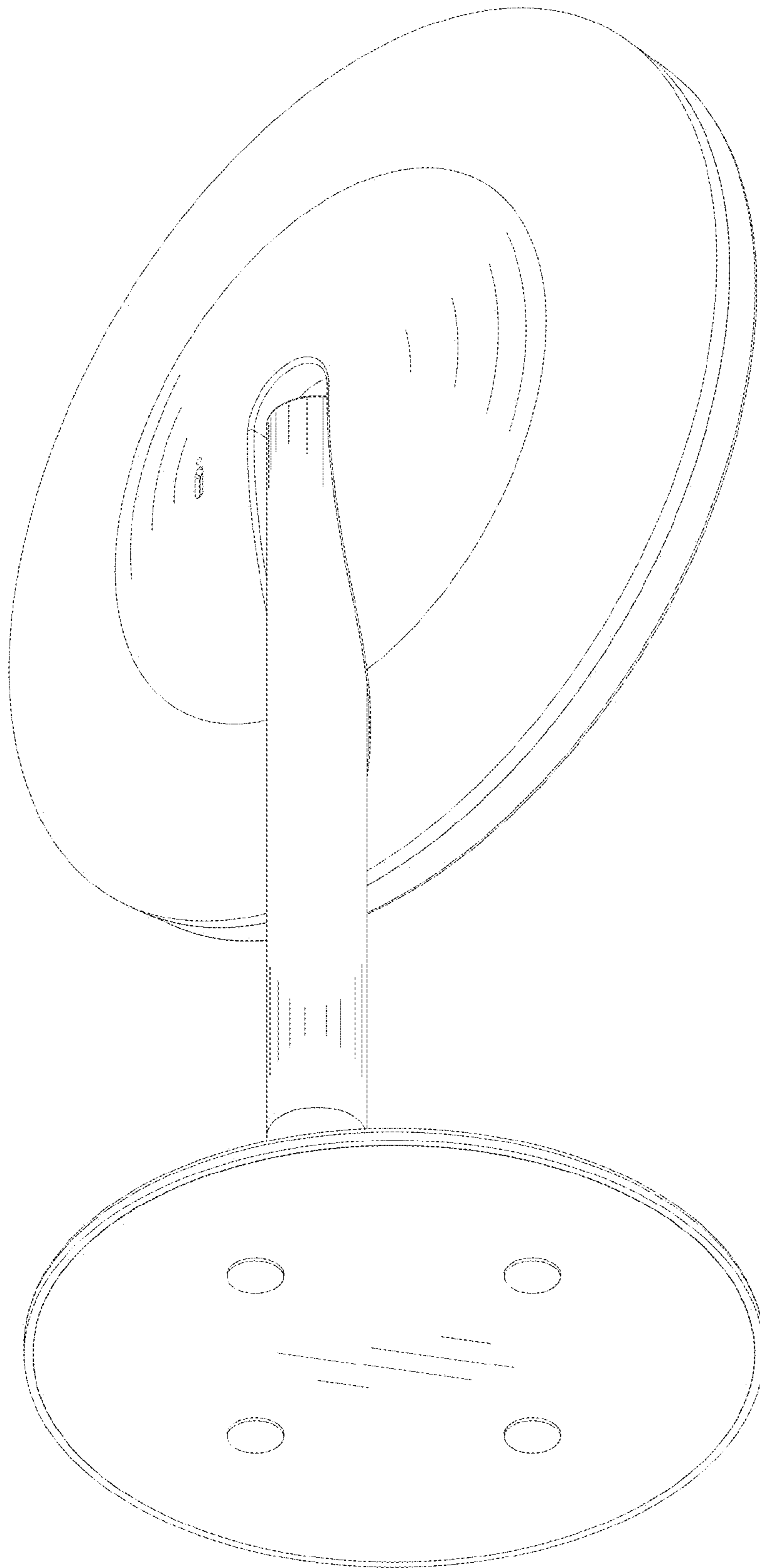


FIG. 2

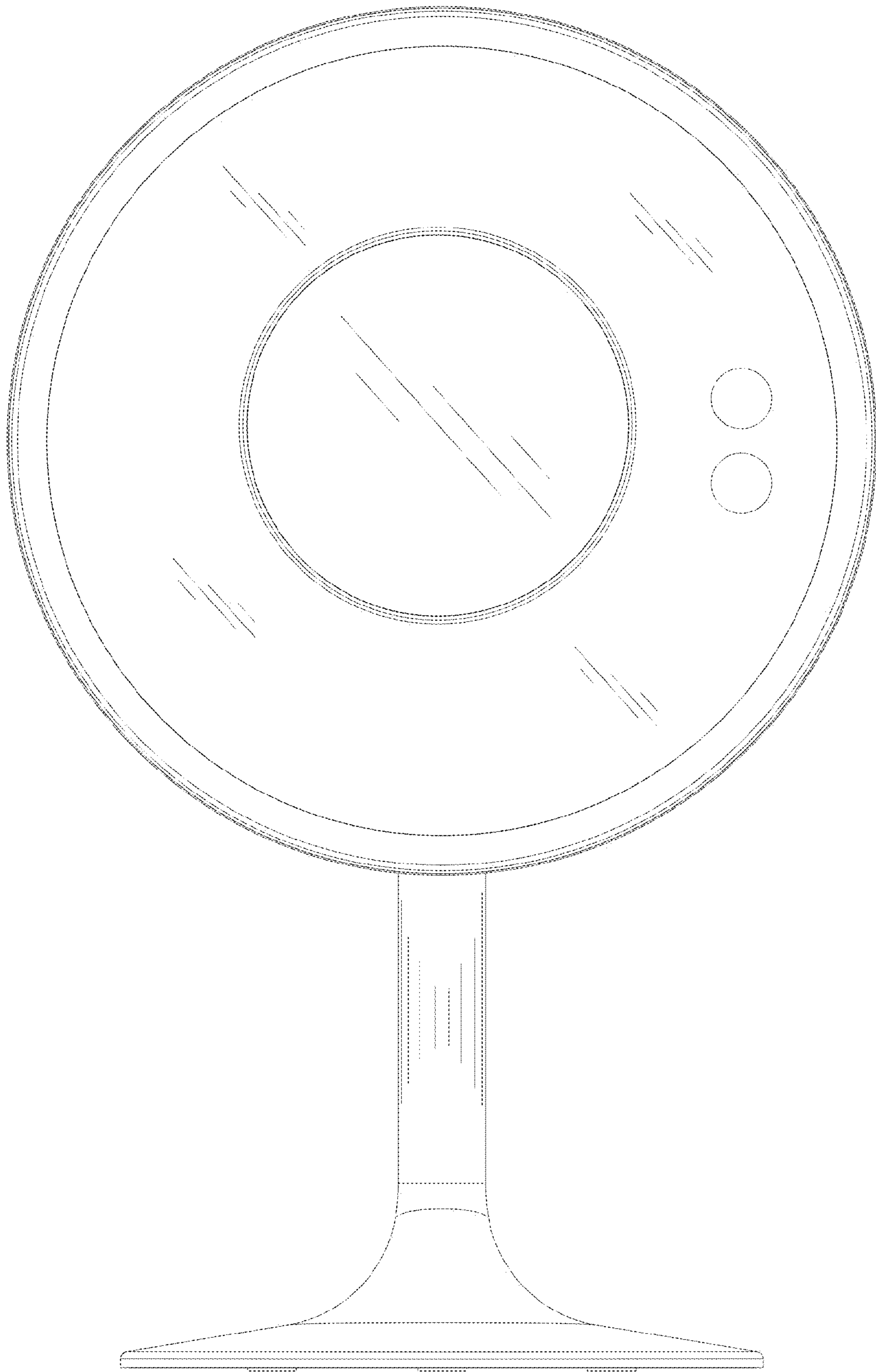


FIG. 3

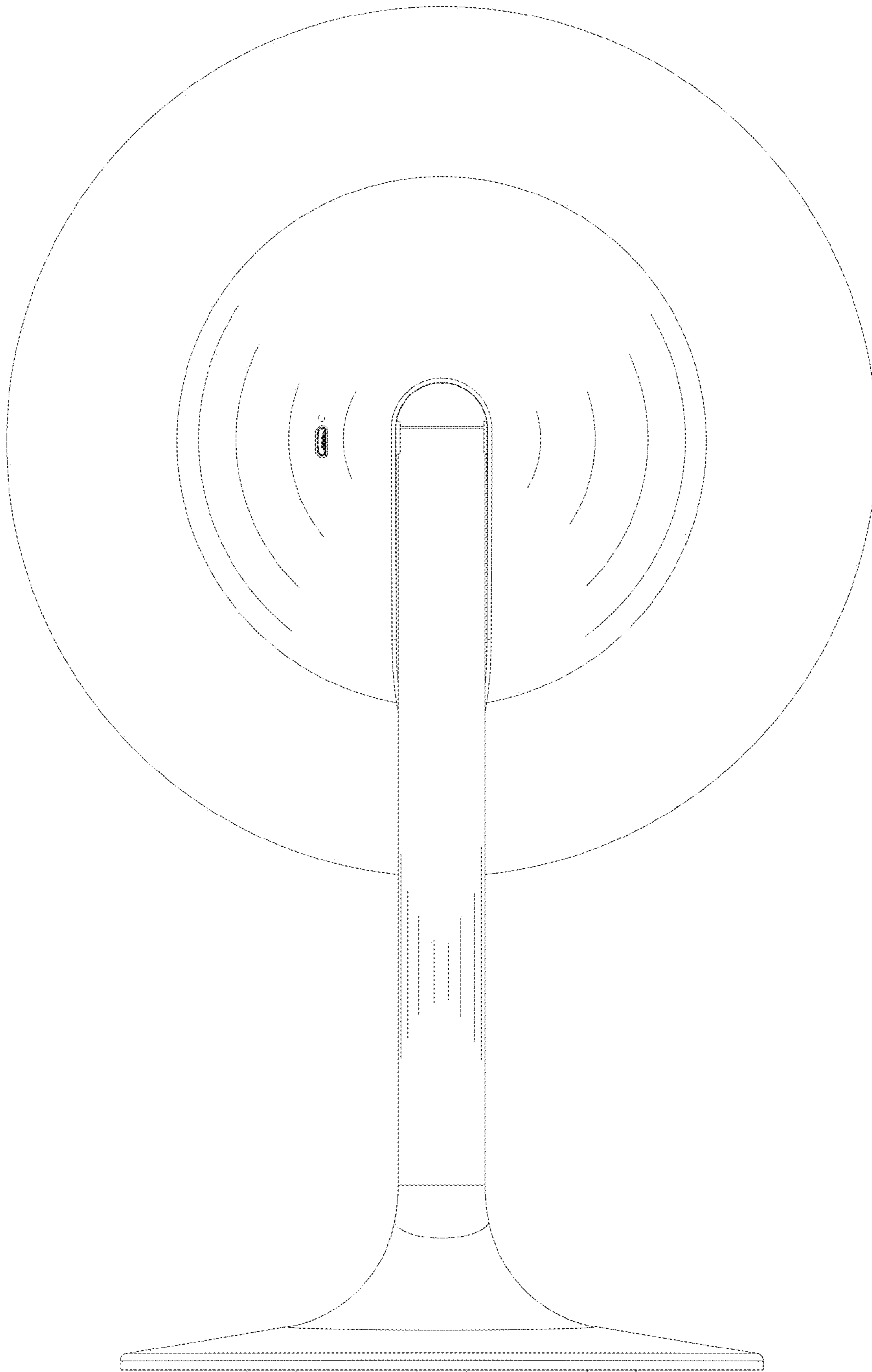


FIG. 4

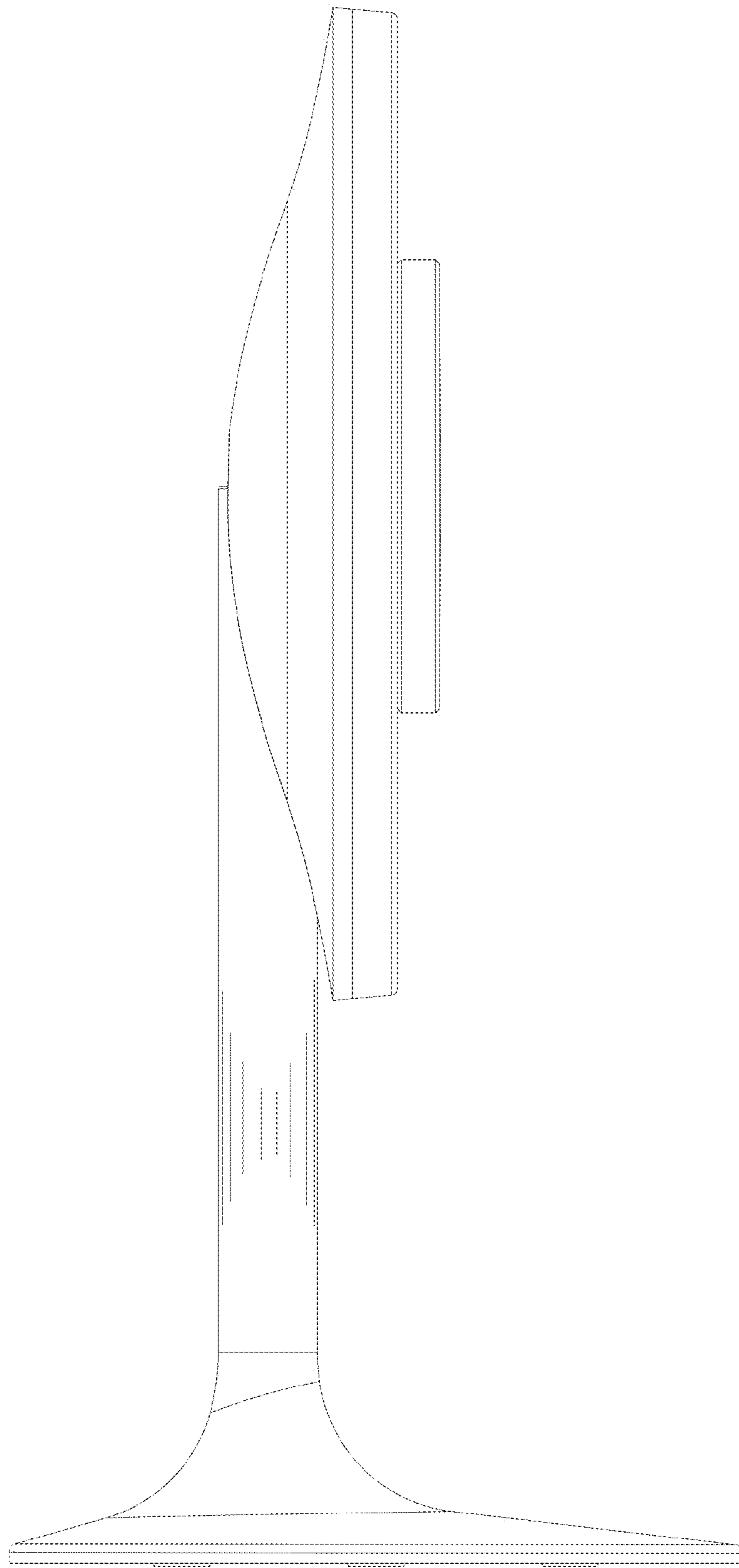


FIG. 5

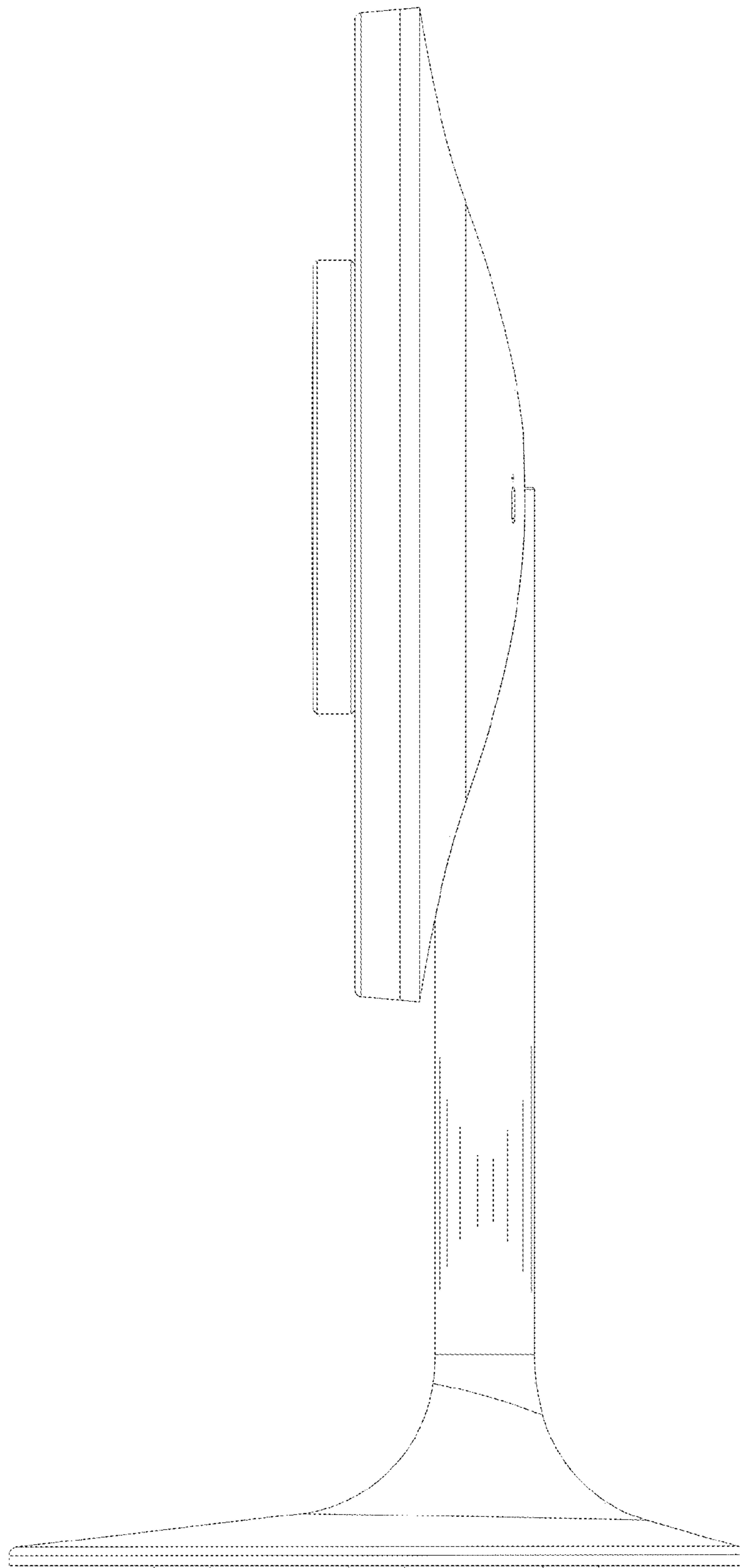


FIG. 6

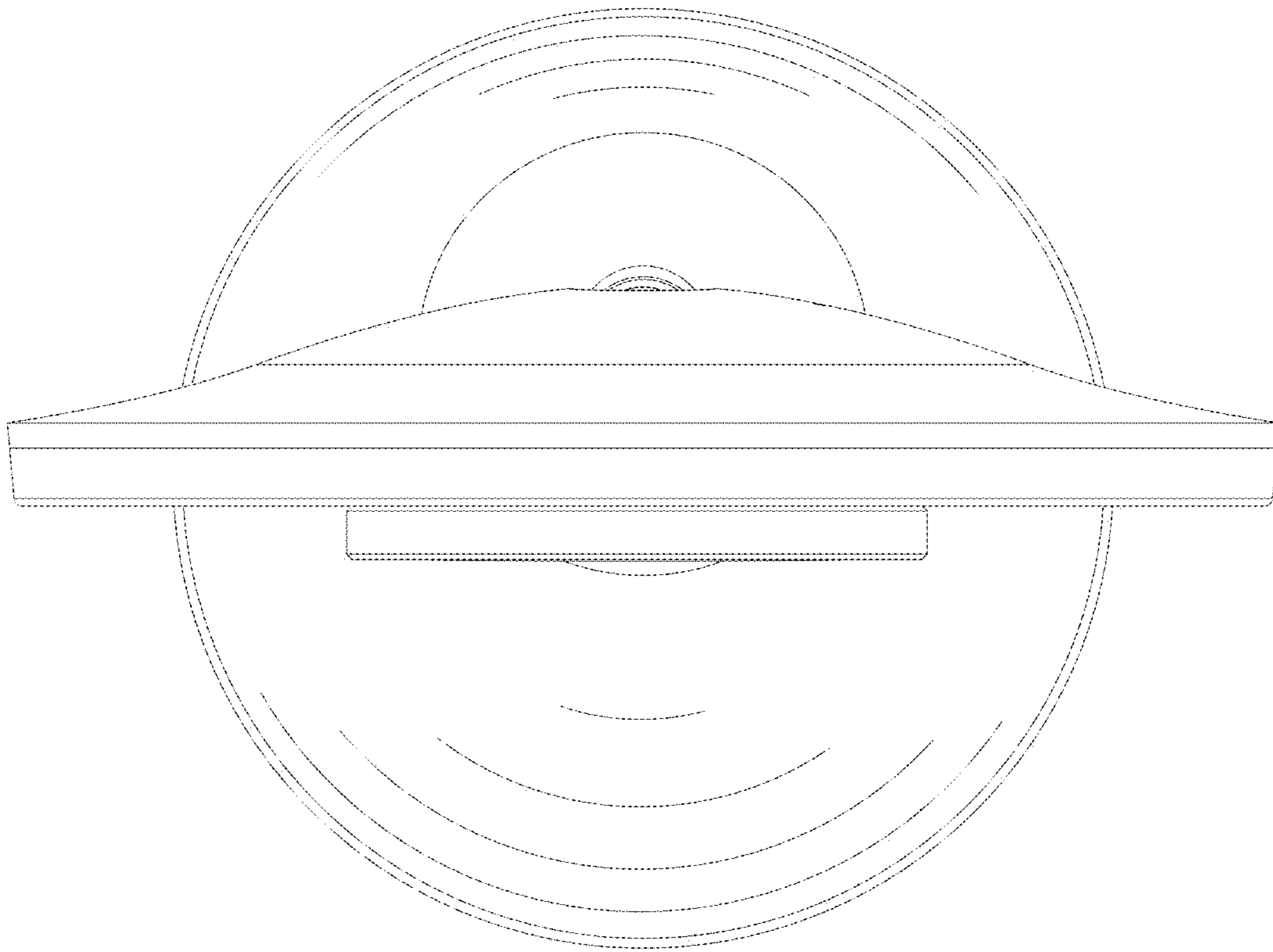


FIG. 7



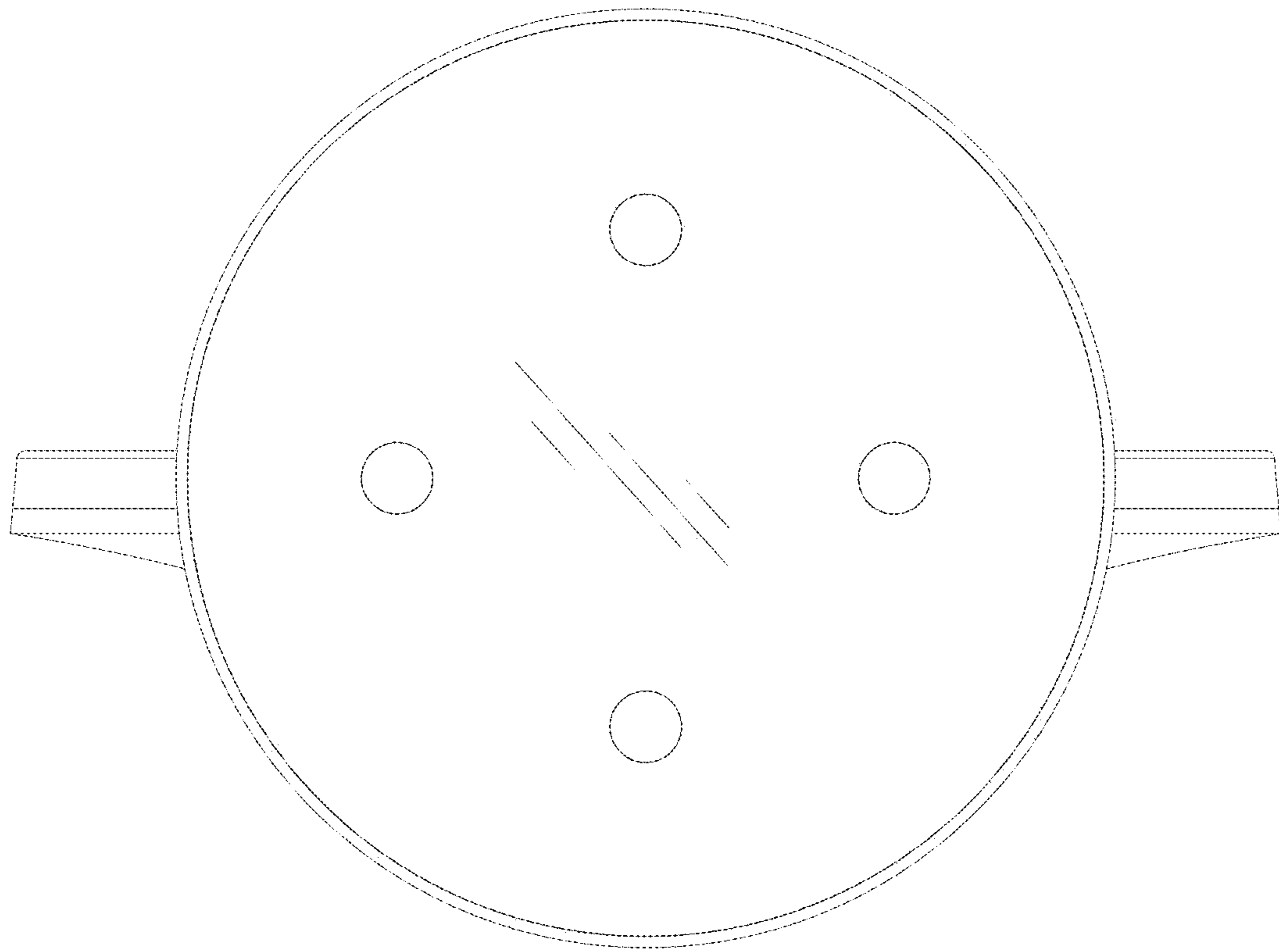


FIG. 8