



US00D898383S

(12) **United States Design Patent**
Zhou

(10) **Patent No.:** **US D898,383 S**
(45) **Date of Patent:** **** Oct. 13, 2020**

(54) **MAKEUP MIRROR WITH LED LIGHT**

(71) Applicant: **TOUCHBEAUTY BEAUTY & HEALTH (SHENZHEN) CO., LTD,**
Shenzhen (CN)

(72) Inventor: **Elin Zhou,** Shenzhen (CN)

(73) Assignee: **TOUCHBEAUTY BEAUTY & HEALTH (SHENZHEN) CO., LTD,**
Shenzhen (CN)

(**) Term: **15 Years**

(21) Appl. No.: **29/702,889**

(22) Filed: **Aug. 22, 2019**

(30) **Foreign Application Priority Data**

Apr. 1, 2019 (CN) 2019 3 0143004

(51) **LOC (12) Cl.** **06-07**

(52) **U.S. Cl.**
USPC **D6/308; D6/300**

(58) **Field of Classification Search**
USPC D6/300, 301, 302, 303, 304, 307, 308,
D6/309, 310, 311, 312, 313, 314;
D14/336, 341, 371, 372, 374, 381, 382,
D14/448, 450
CPC A47G 1/0616; A47G 1/142; A47G
2001/0694; A47G 1/06; A47G 1/0605;
A47G 1/0633; A47G 1/0638; A47G
1/0644; A47G 1/08; A47G 1/10; A47G
1/14; A47G 1/141; A47G 1/16; A47G
1/1606; A47G 1/1613; A47G 2001/0661;
A47G 2001/0672; A47G 2001/0688;
A47G 2001/148; A47G 1/00; A47G 1/02;
G06F 1/1654

See application file for complete search history.

(56) **References Cited**

U.S. PATENT DOCUMENTS

D736,001 S * 8/2015 Yang D6/309
D737,060 S * 8/2015 Yang D6/310

D840,699 S * 2/2019 Xie D6/309
D846,288 S * 4/2019 Yang D6/309
D850,125 S * 6/2019 Wang D6/309
D865,375 S * 11/2019 Yang D6/310
D869,863 S * 12/2019 Liu D6/310

(Continued)

FOREIGN PATENT DOCUMENTS

CN 210094961 U * 4/2019

OTHER PUBLICATIONS

Private Label Touch Screen 1X and 5X Magnifying Vanity Desktop LED Make Up Mirror [online], [site visited Jul. 14, 2020]. Available from internet, URL:<https://www.alibaba.com/product-detail/Private-Label-Touch-Screen-1X-and_62346017122.html?spm=a2700.wholesale.deiletai6.1.60af59872uDab2> (Year: 2020).*

Primary Examiner — Cynthia Ramirez

Assistant Examiner — Xavier Marti-Santos

(74) *Attorney, Agent, or Firm* — Westbridge IP LLC

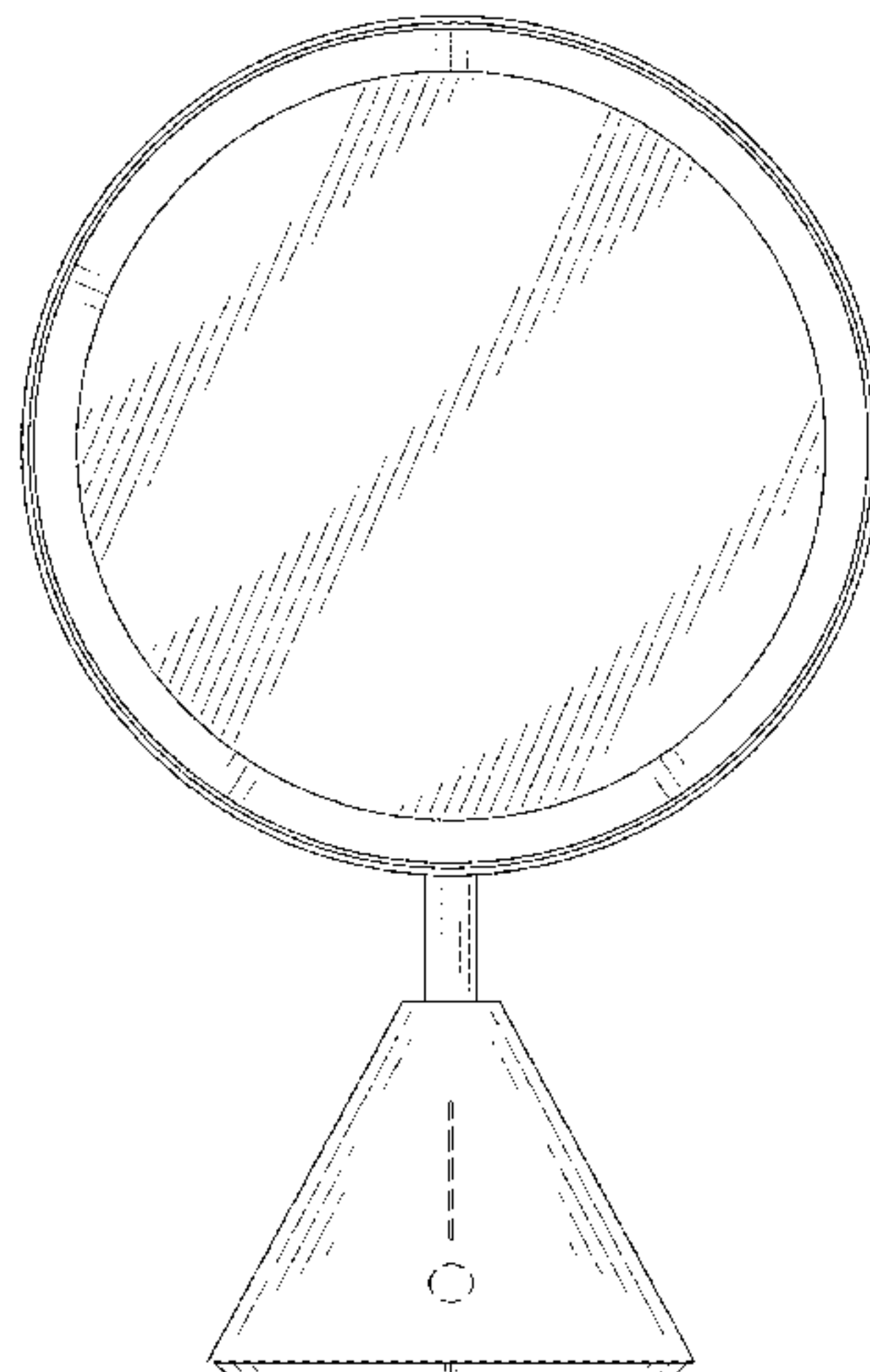
(57) **CLAIM**

The ornamental design for a makeup mirror with LED light, as shown and described.

DESCRIPTION

FIG. 1 is a front elevational view of the makeup mirror with LED light showing our new design;
FIG. 2 is a rear elevational view thereof;
FIG. 3 is a left side view thereof;
FIG. 4 is a right side view thereof;
FIG. 5 is a top plan view thereof;
FIG. 6 is a bottom plan view thereof;
FIG. 7 is a first perspective view thereof; and,
FIG. 8 is a second perspective view thereof.
The evenly broken lines in the drawings illustrate portions of the makeup mirror with LED lights, which form no part of the claim.

1 Claim, 8 Drawing Sheets



(56)

References Cited

U.S. PATENT DOCUMENTS

D871,084 S	*	12/2019	Pestl	D6/309
D874,161 S	*	2/2020	Yang	D6/309
D878,776 S	*	3/2020	Liu	D6/309
D879,481 S	*	3/2020	Yang	D6/309
D885,769 S	*	6/2020	Wang	D6/309

* cited by examiner

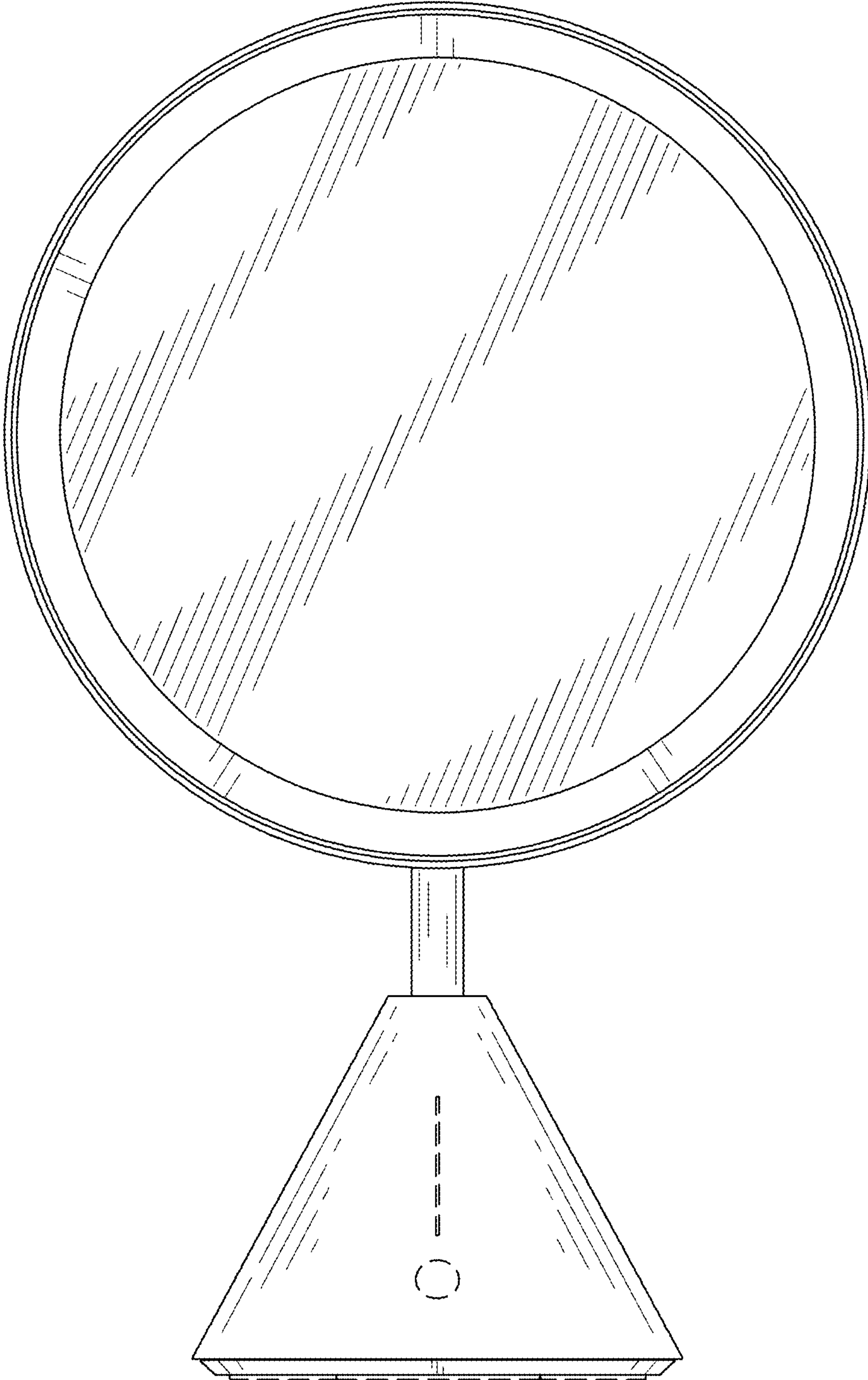


FIG. 1

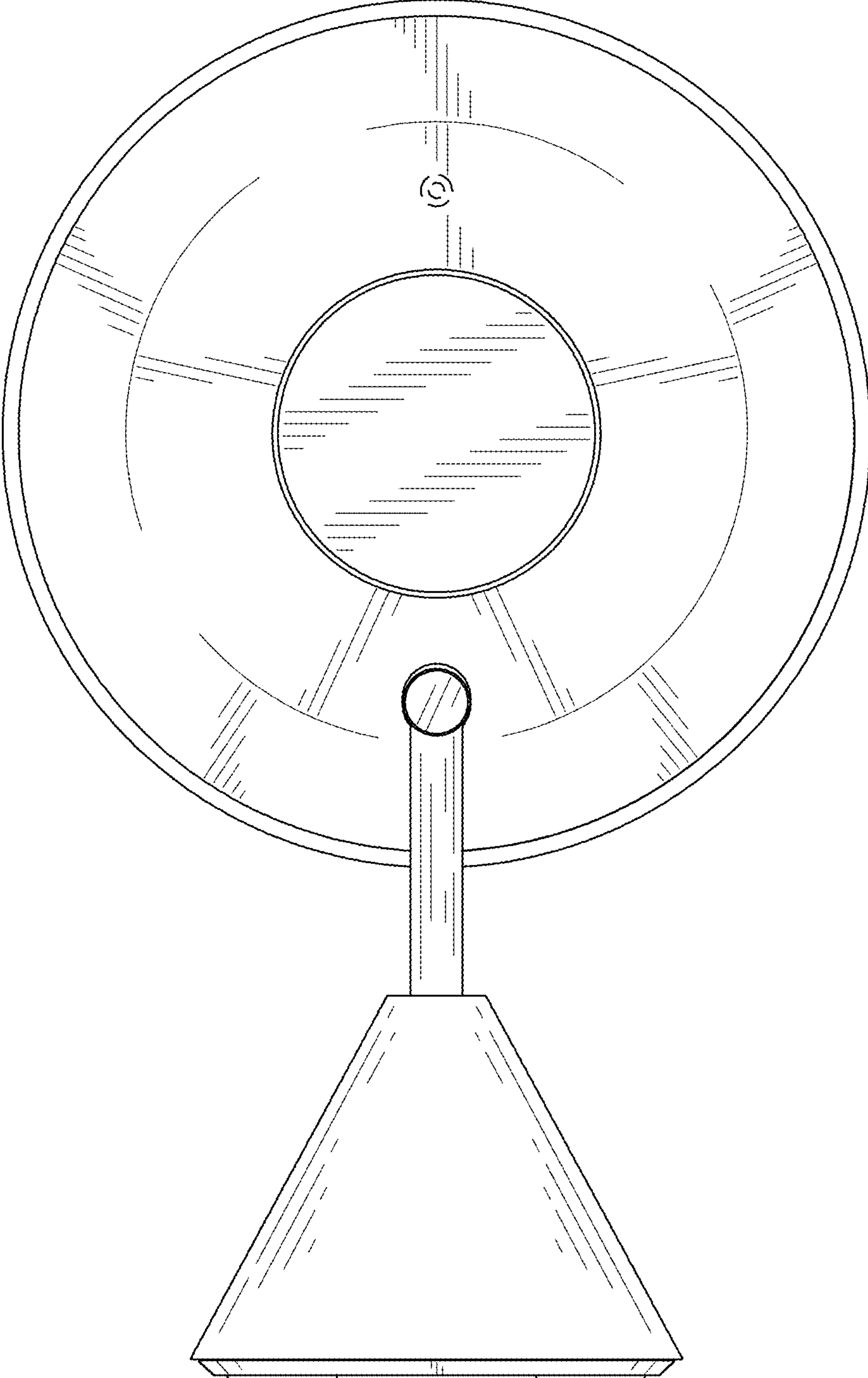


FIG. 2

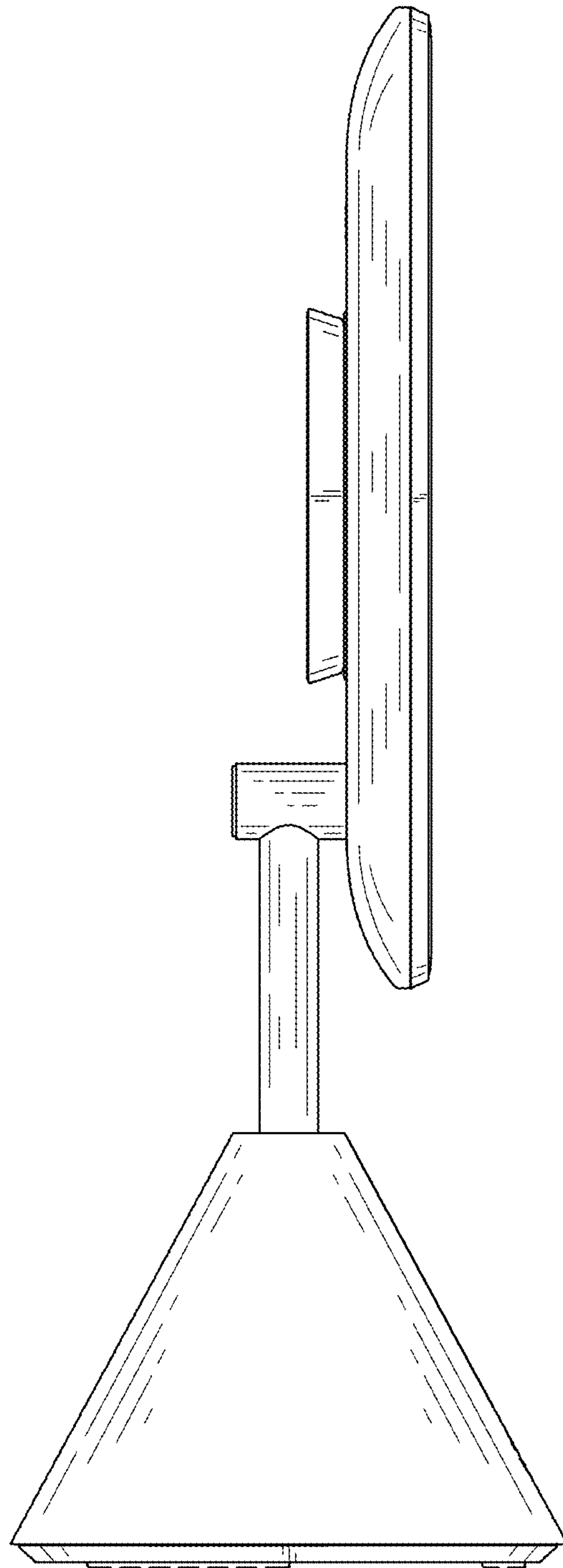


FIG. 3

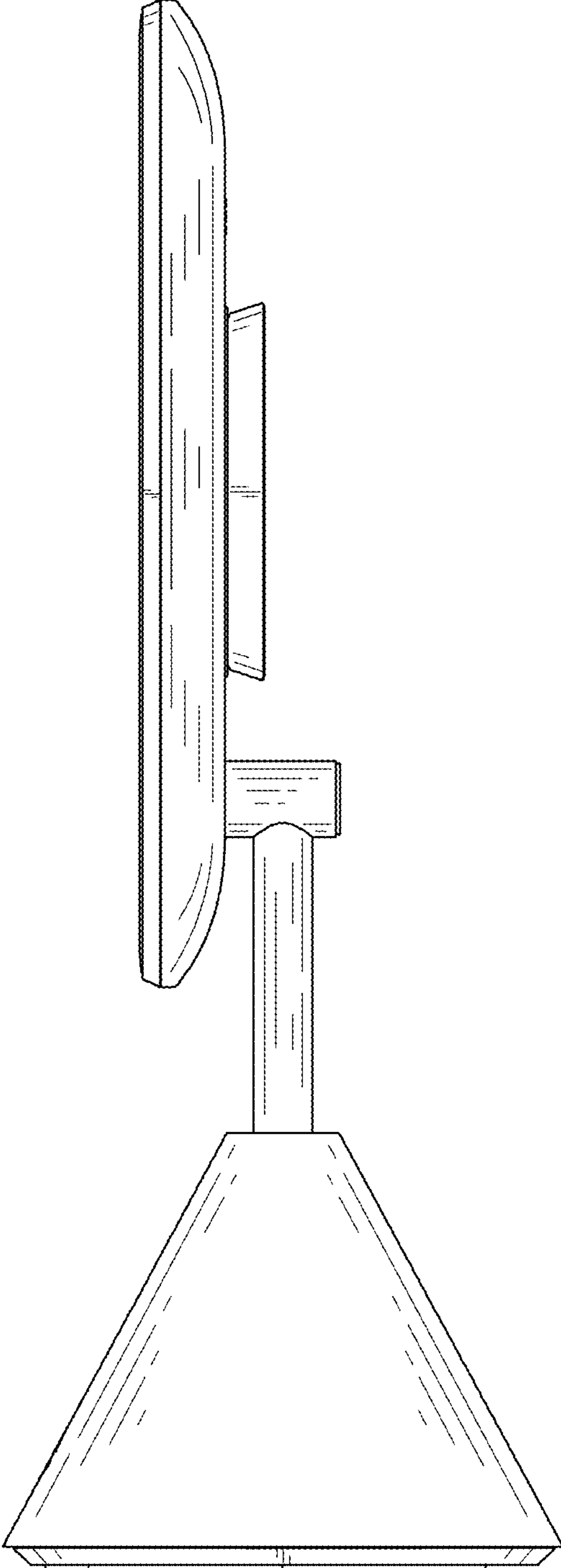


FIG. 4

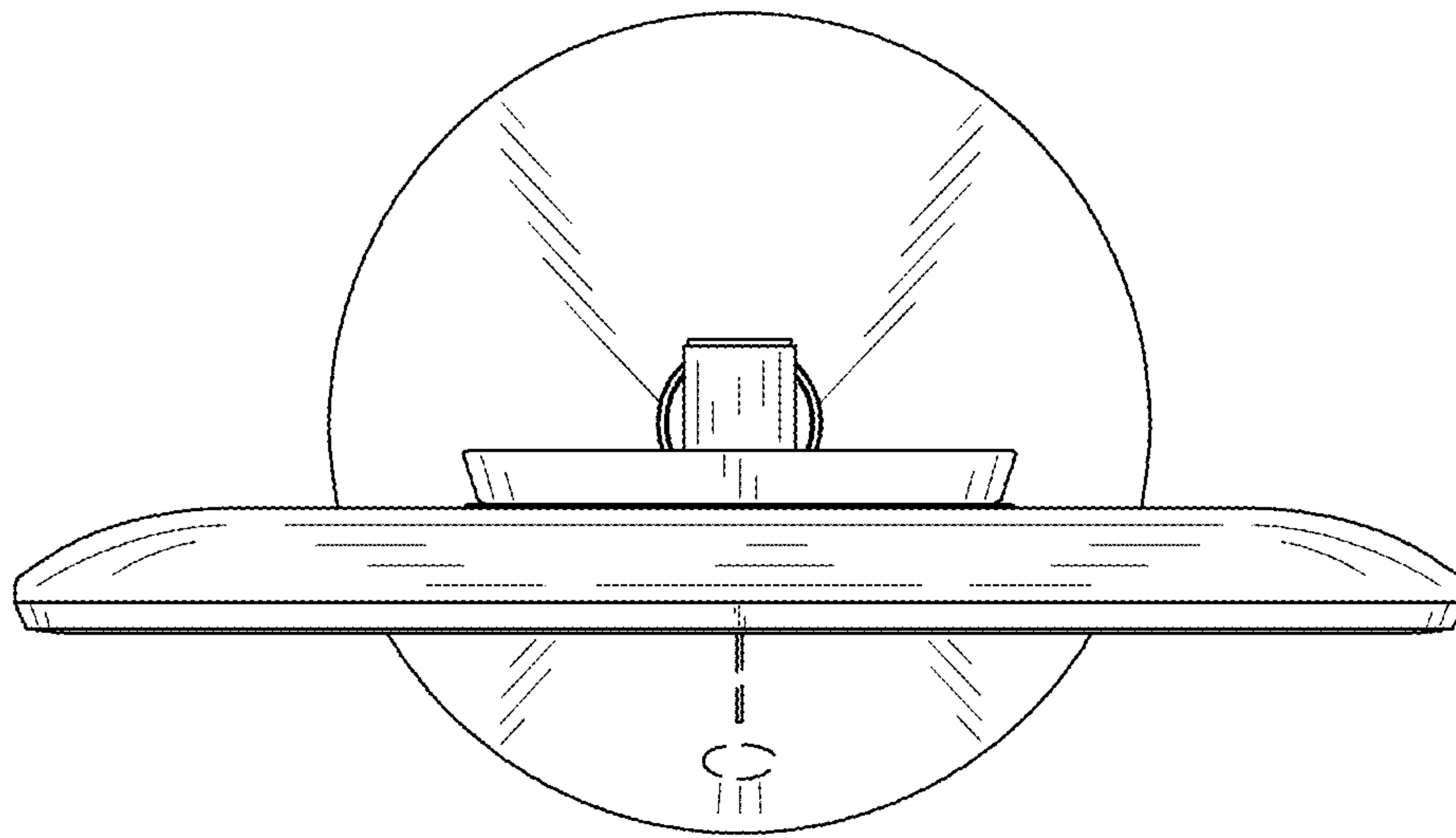


FIG. 5

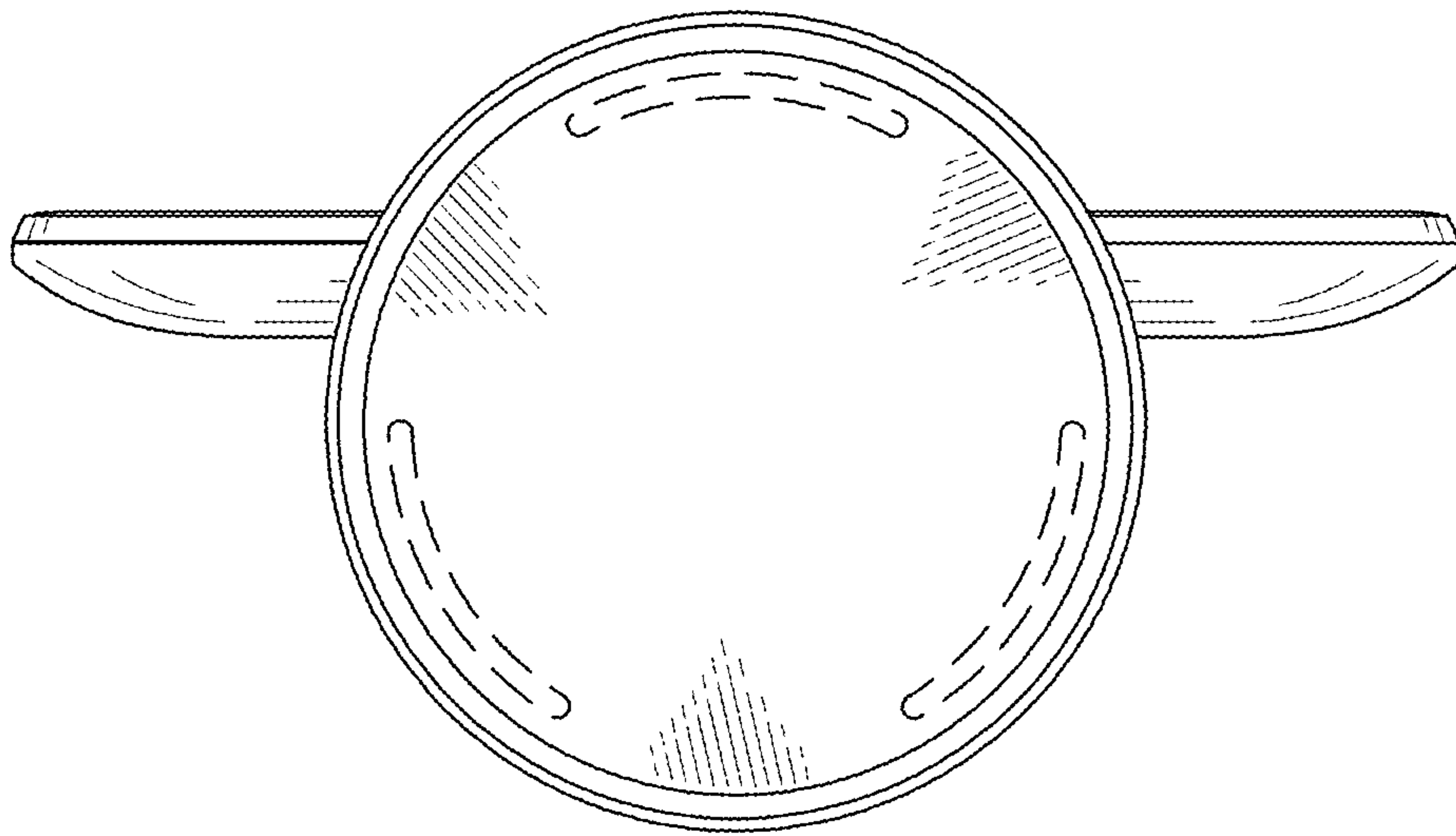


FIG. 6

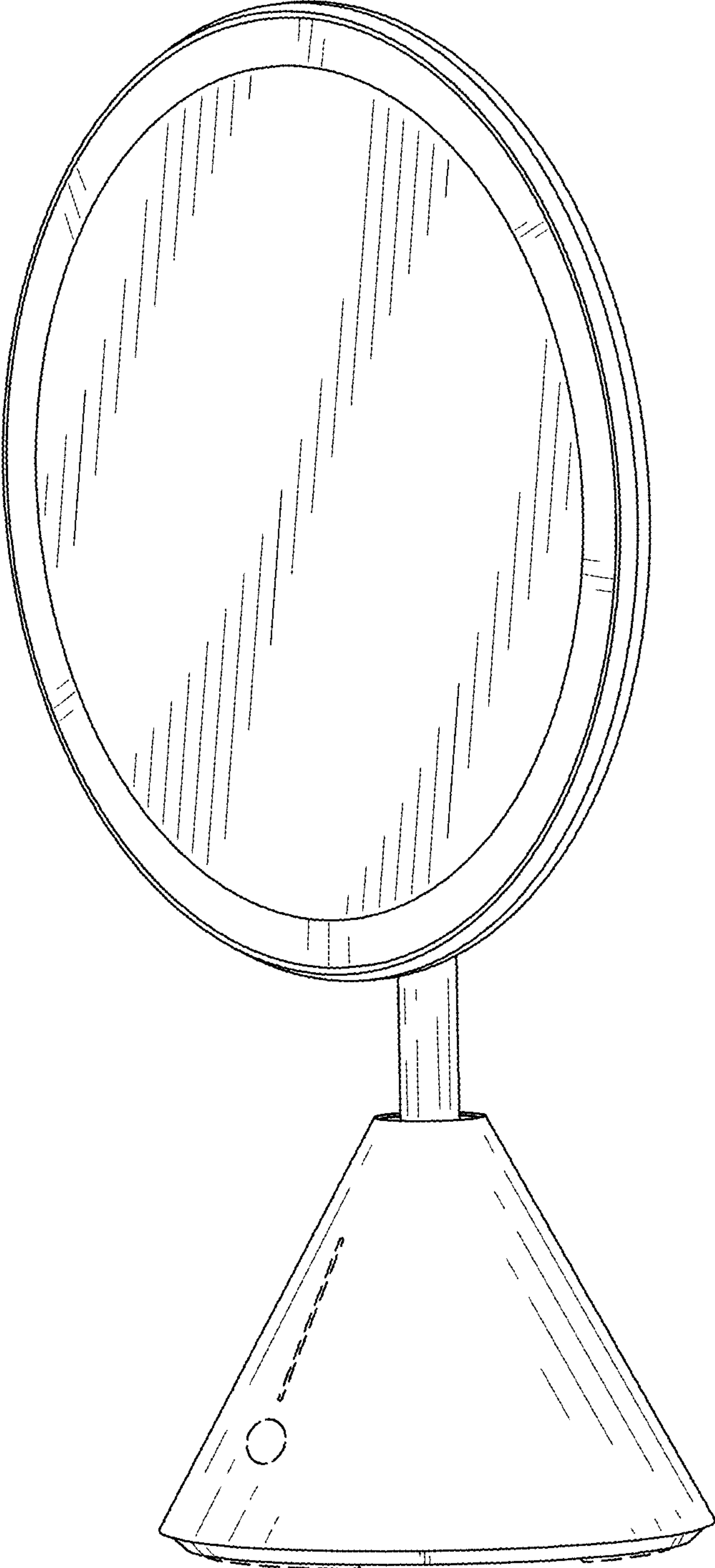


FIG. 7

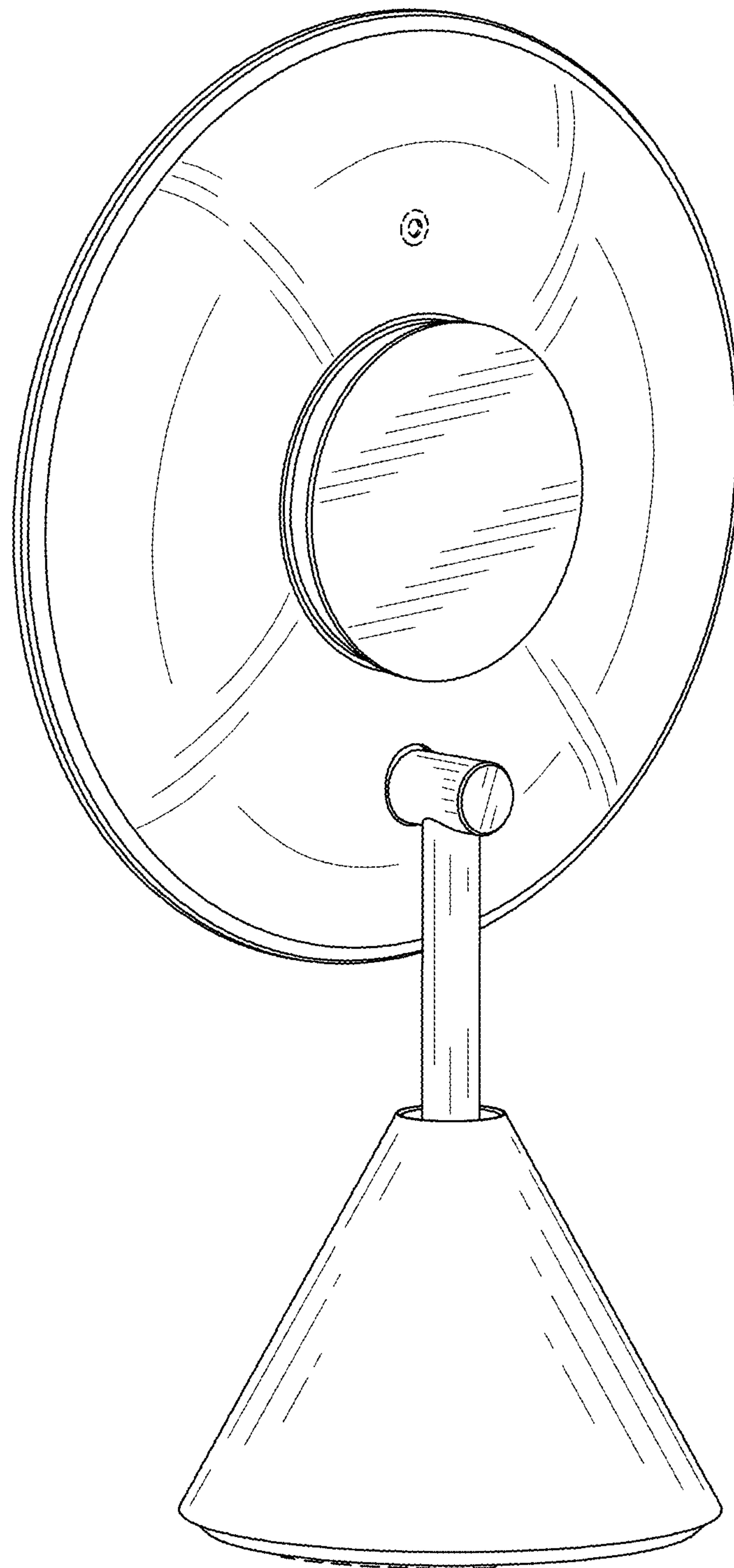


FIG. 8