



US00D898381S

(12) **United States Design Patent** (10) **Patent No.:** **US D898,381 S**
Lee (45) **Date of Patent:** **** Oct. 13, 2020**

(54) **COSMETIC BRUSH HANDLE**

OTHER PUBLICATIONS

(71) Applicant: **LEEGEM CO., LTD.**, Siheung-si (KR)

Blending Brush, announced 2018 [online], [site visited Mar. 30, 2020]. Available from internet, URL: https://www.amazon.com/Foundation-MSQ-Blending-Flawless-Cosmetics/dp/B07T1HWK9F/ref=sr_1_52?keywords=cosmetic+palm+brush+handle&qid=1584982327&sr=8-52 (Year: 2018).*

(72) Inventor: **Sung Jae Lee**, Seoul (KR)

(73) Assignee: **LEEGEM CO., LTD.**, Seoul (KR)

* cited by examiner

(**) Term: **15 Years**

Primary Examiner — George A Bugg

Assistant Examiner — Tamara L Hahn

(21) Appl. No.: **29/685,338**

(74) *Attorney, Agent, or Firm* — Heedong Chae; Lucem, PC

(22) Filed: **Mar. 27, 2019**

(51) **LOC (12) Cl.** **04-99**

(52) **U.S. Cl.**
USPC **D4/138**

(57) **CLAIM**

(58) **Field of Classification Search**

The ornamental design for a cosmetic brush handle, as shown and described.

USPC D4/101, 102, 105, 106, 109, 110, 11, D4/112, 117, 128, 129, 130, 131, 132, D4/133, 134, 135, 136, 137, 138; D28/13, 19, 21, 22, 23, 24, 25, 27, 28, D28/29, 30, 31, 32, 33, 34, 44, 45, 49, D28/50, 51, 52, 53, 54, 63
CPC A46B 17/04; A46B 5/02; A46B 5/026; A46B 7/00; A46B 2200/10; A46B 2200/30; A46B 2200/1046; A46B 2200/3053; A47J 45/00; A47J 45/061; A47J 45/07; A47J 45/071; A47L 25/005
See application file for complete search history.

DESCRIPTION

FIG. 1 is a perspective view of the cosmetic brush handle showing my new design;
FIG. 2 is a front elevational view thereof;
FIG. 3 is a rear elevational view thereof;
FIG. 4 is a left side view thereof;
FIG. 5 is a right side view thereof;
FIG. 6 is a top plan view thereof;
FIG. 7 is a bottom plan view thereof;
FIG. 8 is an exploded view thereof; and,
FIG. 9 is another front elevational view.
The broken lines throughout the drawing figures depict environmental subject matter only and form no part of the claimed design.

(56) **References Cited**

U.S. PATENT DOCUMENTS

D706,542 S * 6/2014 Lavigne D4/135
D823,007 S * 7/2018 Nicoline D4/138

1 Claim, 9 Drawing Sheets

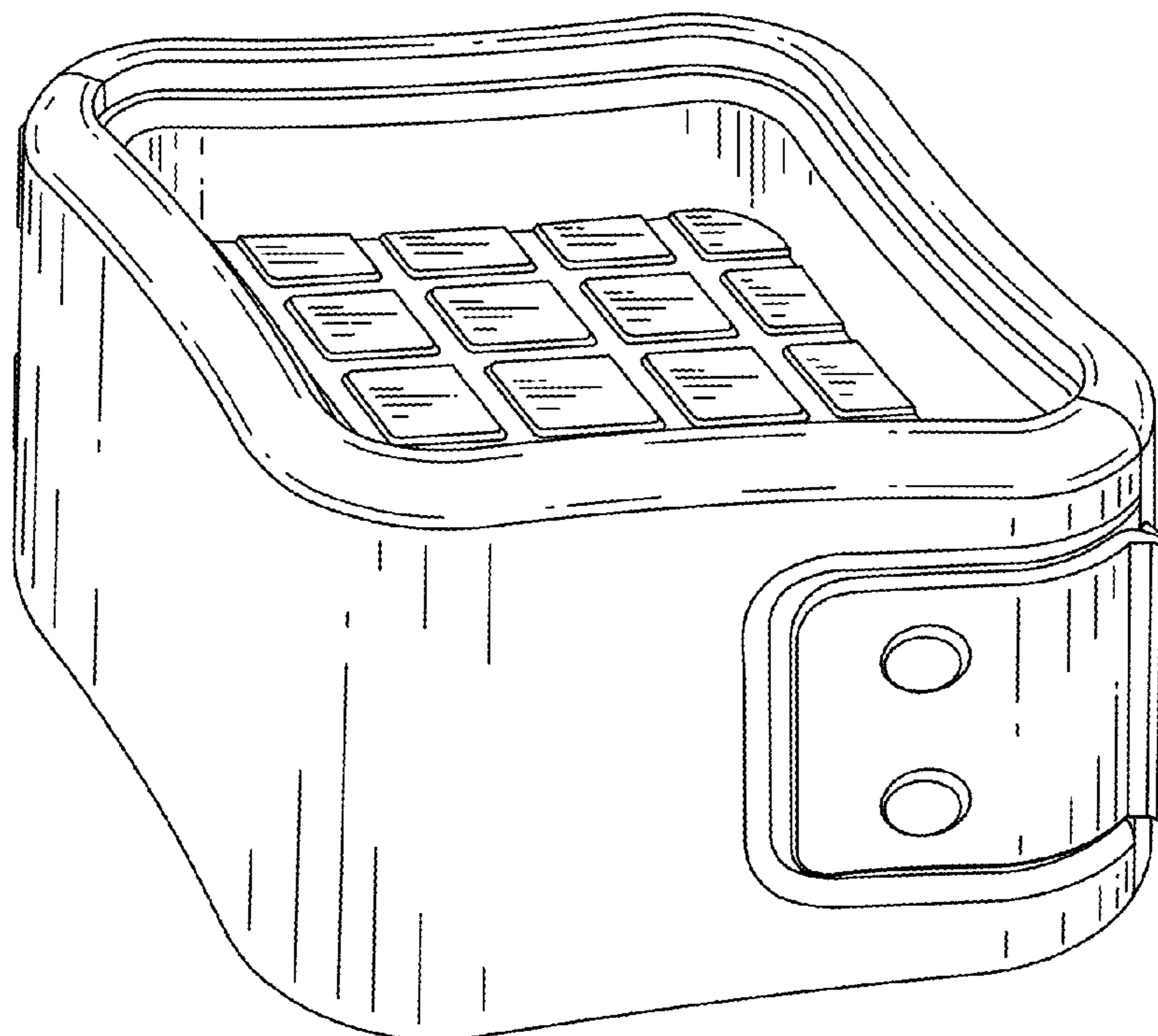


FIG. 1

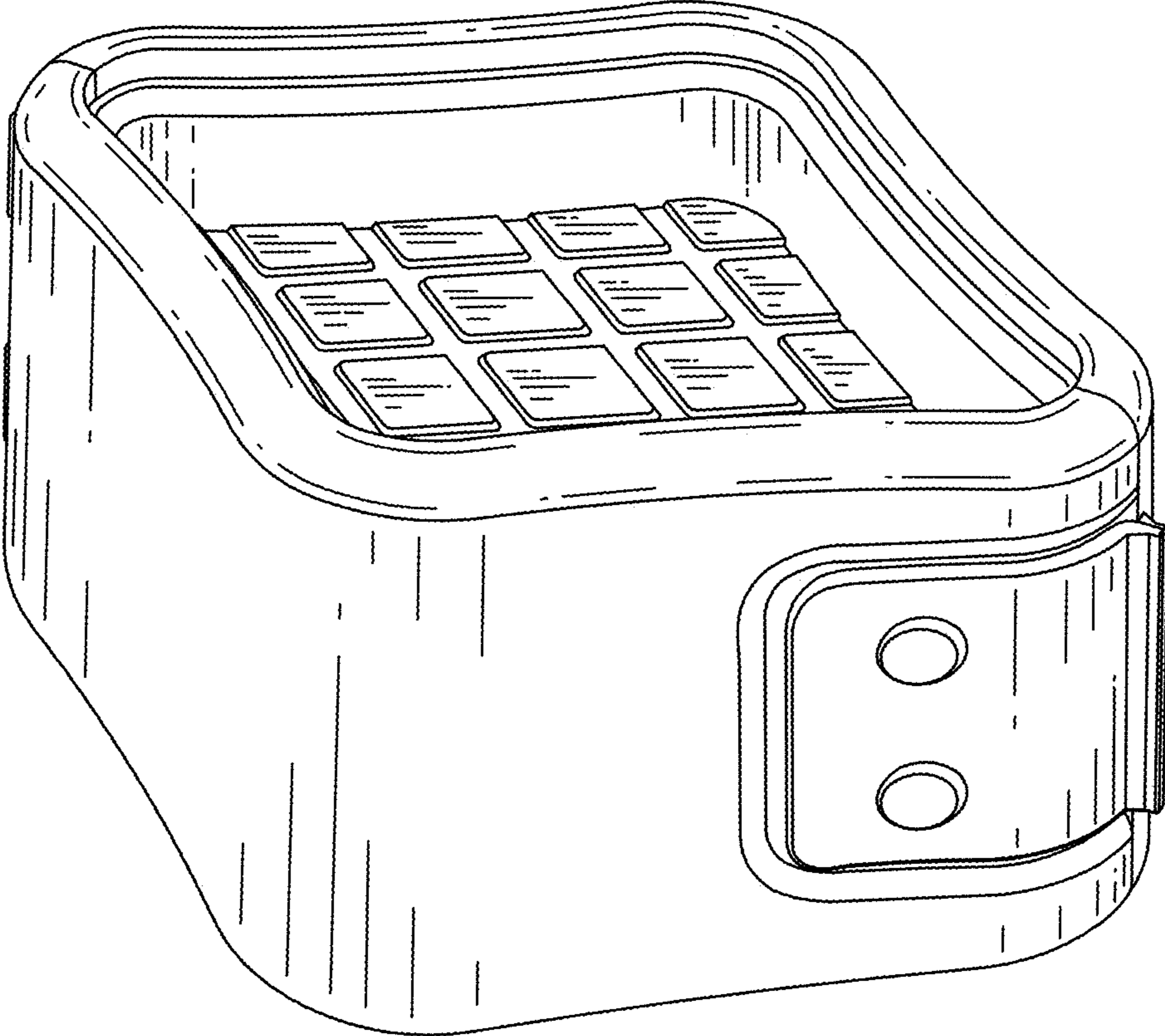


FIG. 2

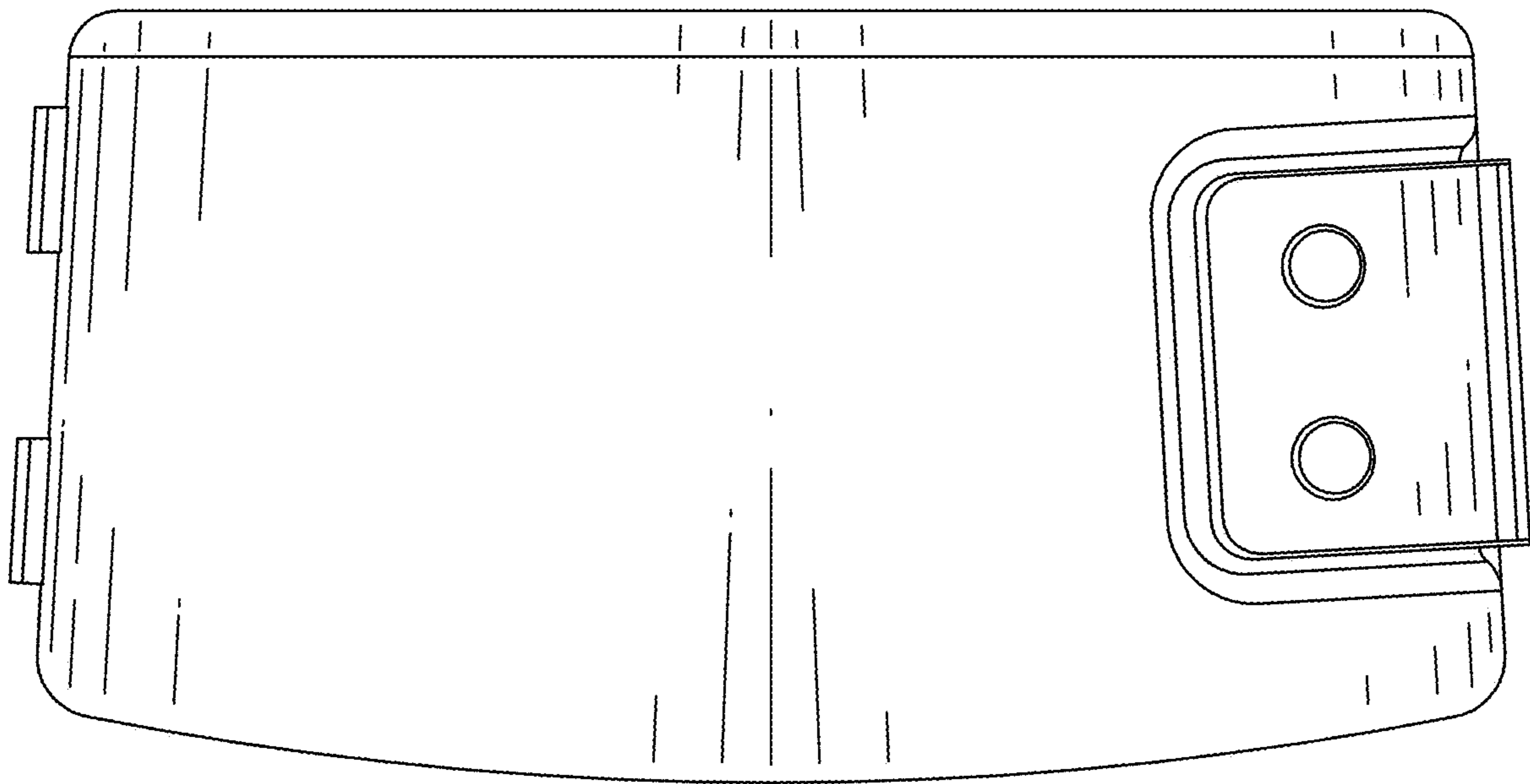


FIG. 3

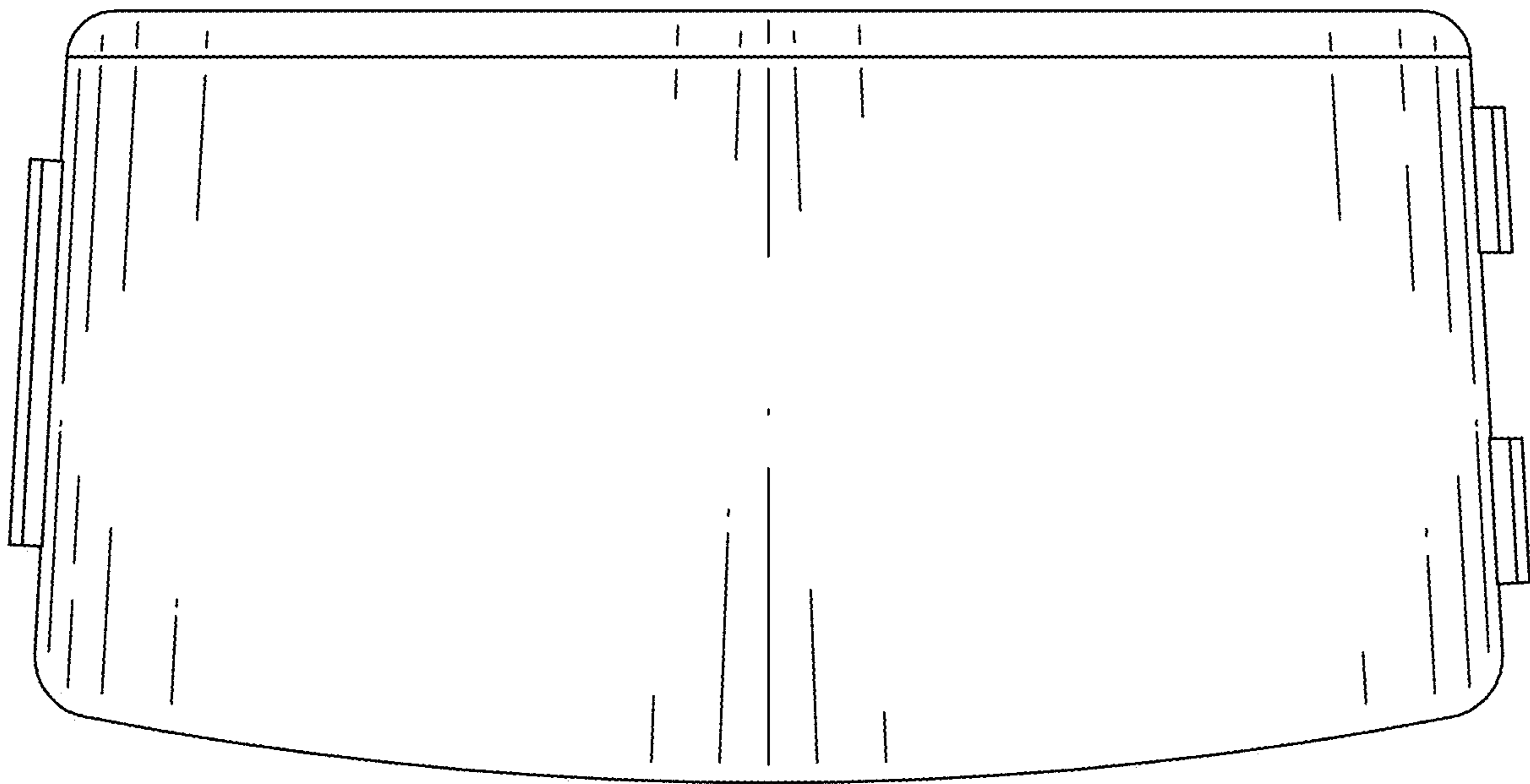


FIG. 4

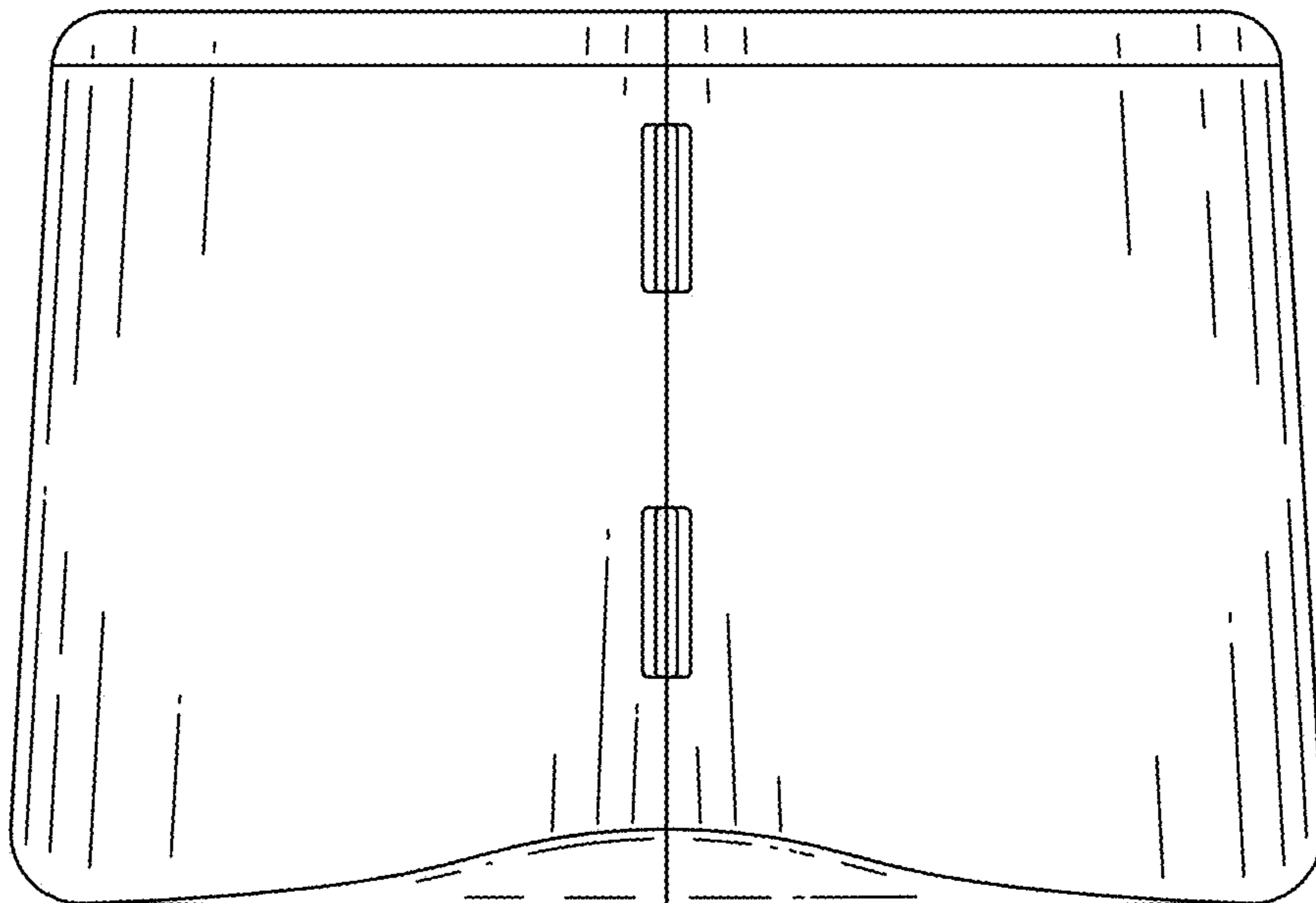


FIG. 5

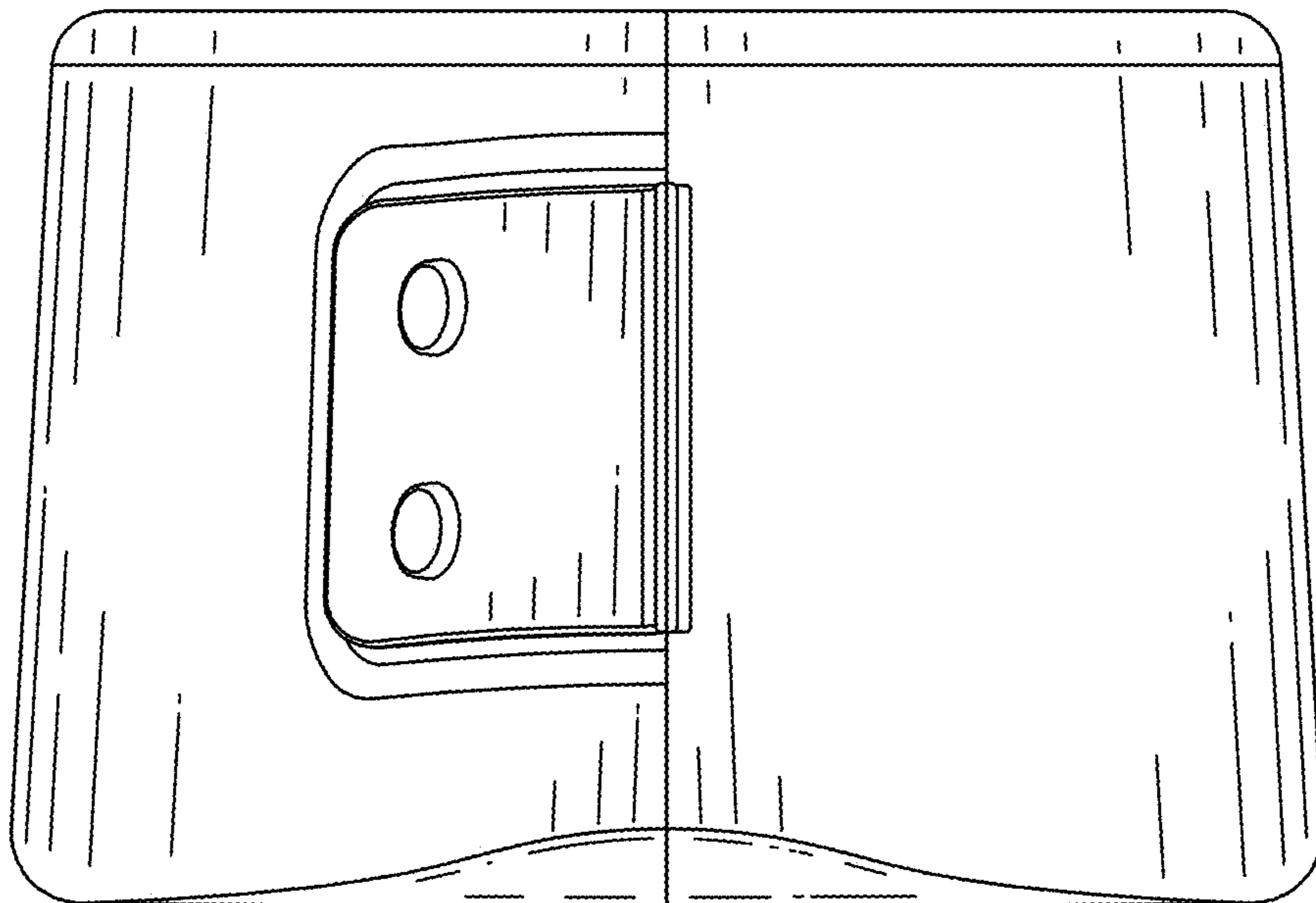


FIG. 6

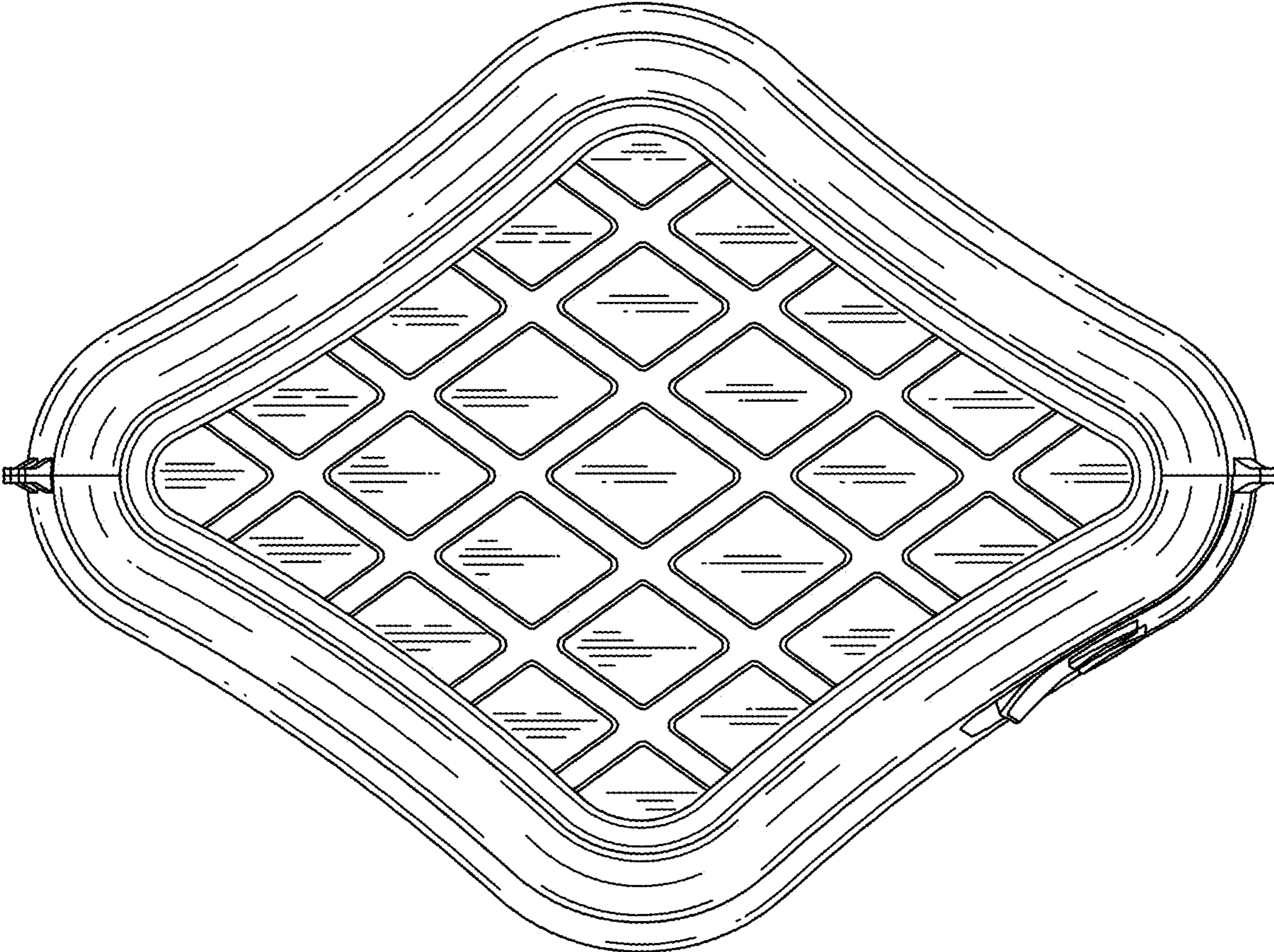


FIG. 7

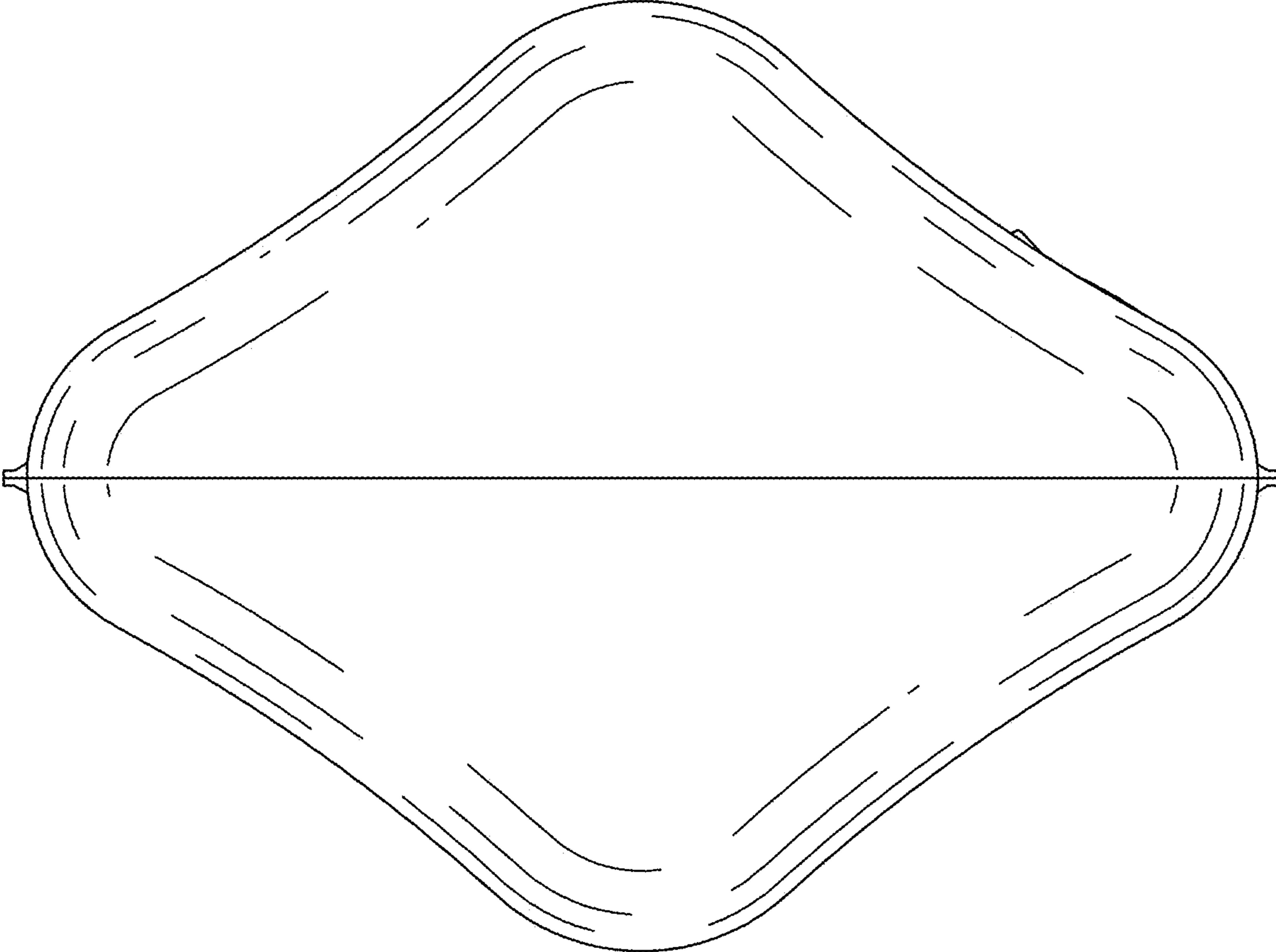


FIG. 8

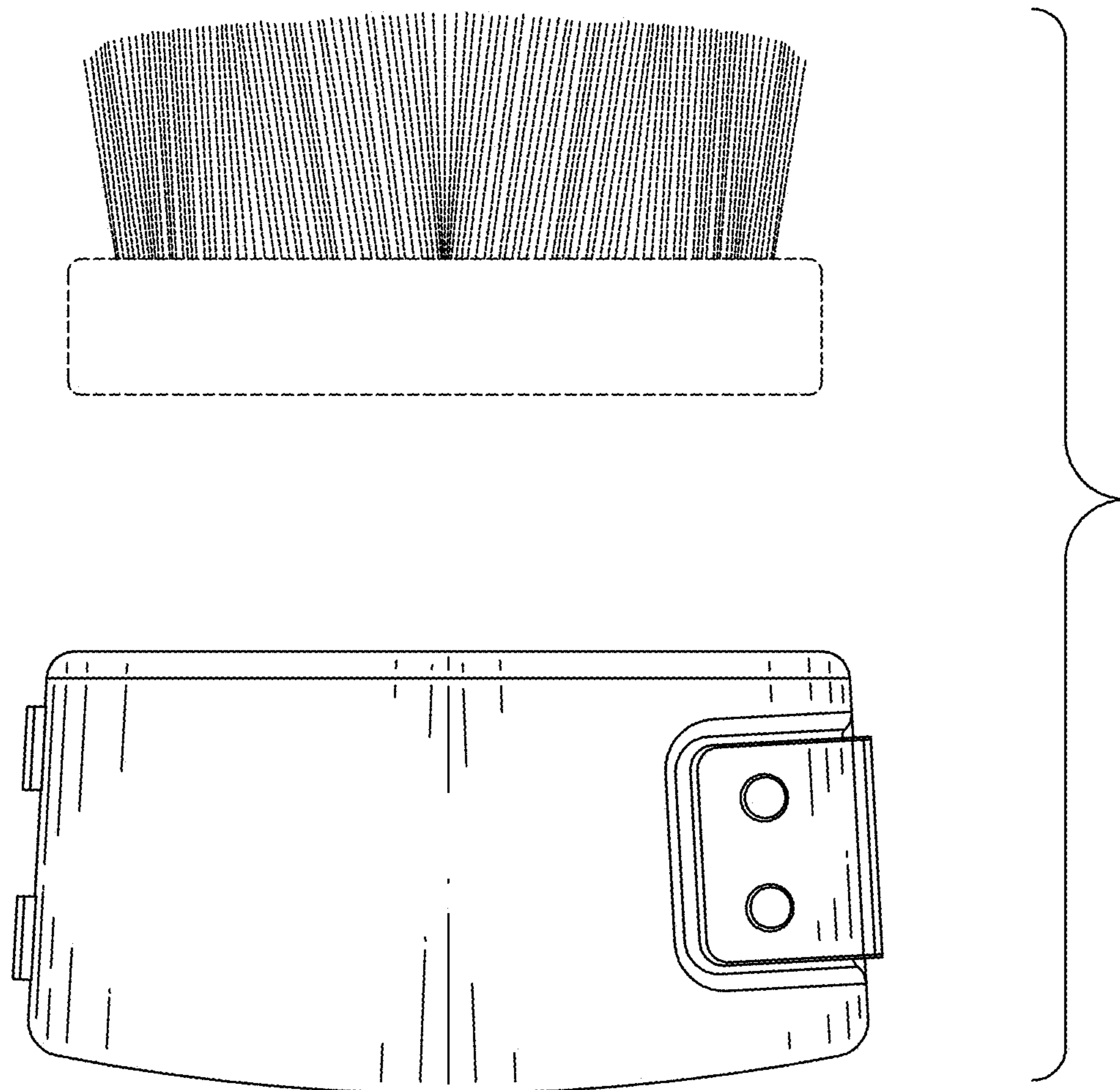


FIG. 9

