



US00D898375S

(12) **United States Design Patent**
Robbins

(10) **Patent No.:** **US D898,375 S**

(45) **Date of Patent:** **** Oct. 13, 2020**

(54) **BRUSH WITH RETRACTABLE HANDLE**

(71) Applicant: **J & D Brush Co., LLC**, Hauppauge, NY (US)

(72) Inventor: **Gayle Robbins**, Hauppauge, NY (US)

(73) Assignee: **J & D Brush Co., LLC**, Commack, NY (US)

(**) Term: **15 Years**

(21) Appl. No.: **29/696,788**

(22) Filed: **Jul. 1, 2019**

(51) **LOC (12) Cl.** **04-02**

(52) **U.S. Cl.**
USPC **D4/121; D4/133; D4/134**

(58) **Field of Classification Search**
USPC D4/100, 116, 117, 118, 121, 122, 123, D4/127, 128, 129, 130, 132, 133, 134, D4/135, 136, 138, 199; D28/7, 13, 24, D28/25, 26, 15; 15/207.2; 132/120, 210, 132/271, 222

CPC .. A46B 9/06; A46B 9/023; A46B 5/00; A46B 5/02; A46B 15/003; A46B 9/028; A46B 2200/104; A45D 20/48; A45D 20/50

See application file for complete search history.

(56) **References Cited**

U.S. PATENT DOCUMENTS

D53,980 S	*	11/1919	Behrman	D4/127
D81,088 S	*	5/1930	Earon	D4/127
D472,052 S	*	3/2003	Park	D4/119
D557,018 S	*	12/2007	Park	D4/128
D623,418 S	*	9/2010	Martinez	D4/128

D677,470 S	*	3/2013	Floyd	D4/127
D696,028 S	*	12/2013	Park	D4/128
D792,711 S	*	7/2017	Hou	D4/133
D823,005 S	*	7/2018	Kuo	D4/128
D884,360 S	*	5/2020	Hou	D4/128
2015/0182013 A1	*	7/2015	Yao	A46B 15/0051 132/120

FOREIGN PATENT DOCUMENTS

CN	304569229	*	4/2018
KR	300956856.0000	*	5/2018
KR	301046151.0000	*	2/2020

* cited by examiner

Primary Examiner — Karen E Eldridge Powers

(74) *Attorney, Agent, or Firm* — Gloria Tsui-Yip, Esq.;
Gottlieb, Rackman & Reisman, P.C.

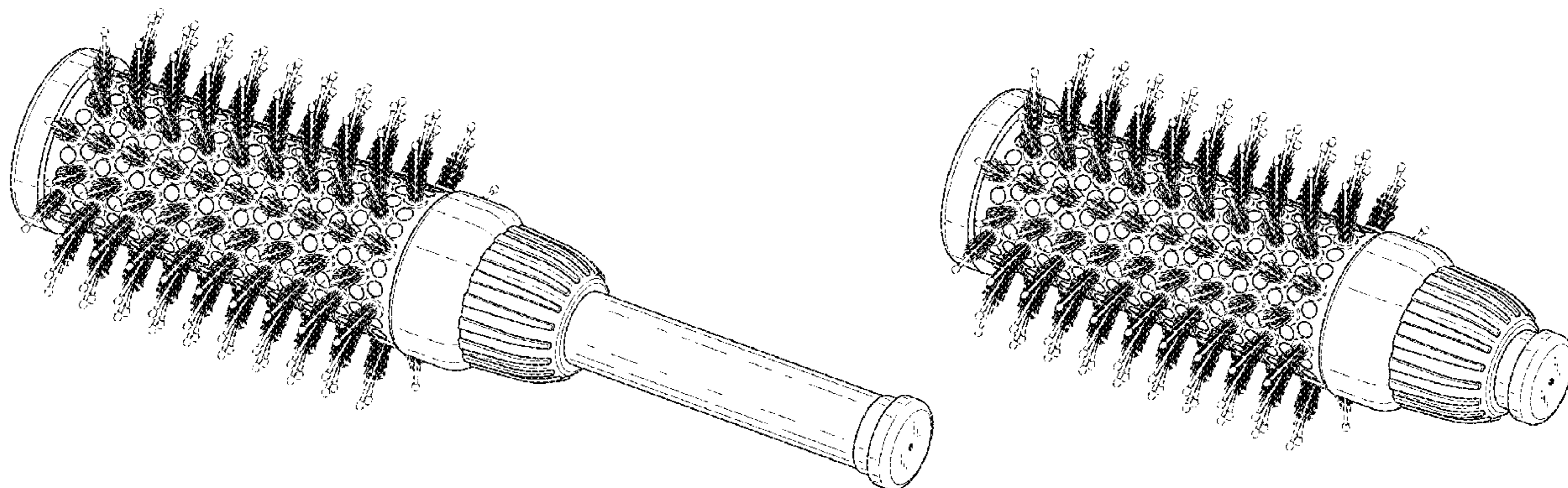
(57) **CLAIM**

The ornamental design for a brush with retractable handle, as shown and described.

DESCRIPTION

FIG. 1 is a perspective view of my new design;
 FIG. 2 is a front elevational view thereof, the rear elevational view being identical;
 FIG. 3 is a left side elevational view thereof, the right side elevational view being identical;
 FIG. 4 is a top plan view thereof;
 FIG. 5 is a bottom plan view thereof;
 FIG. 6 is a front elevational view showing the handle in a retracted position; and,
 FIG. 7 is a perspective view thereof.
 The broken line showing of bristles illustrates portions of the brush that form no part of the claimed design.

1 Claim, 6 Drawing Sheets



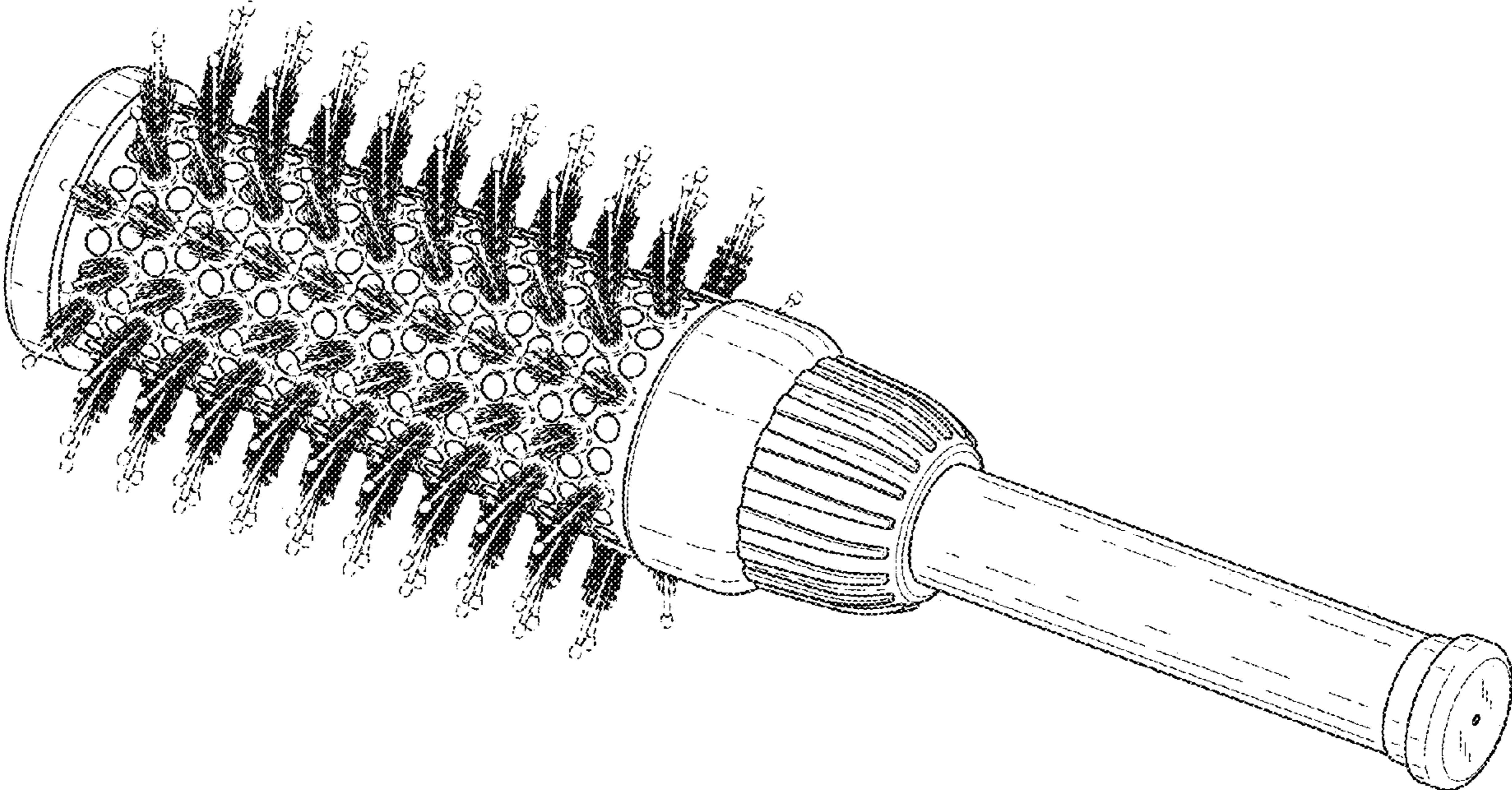


FIG.1

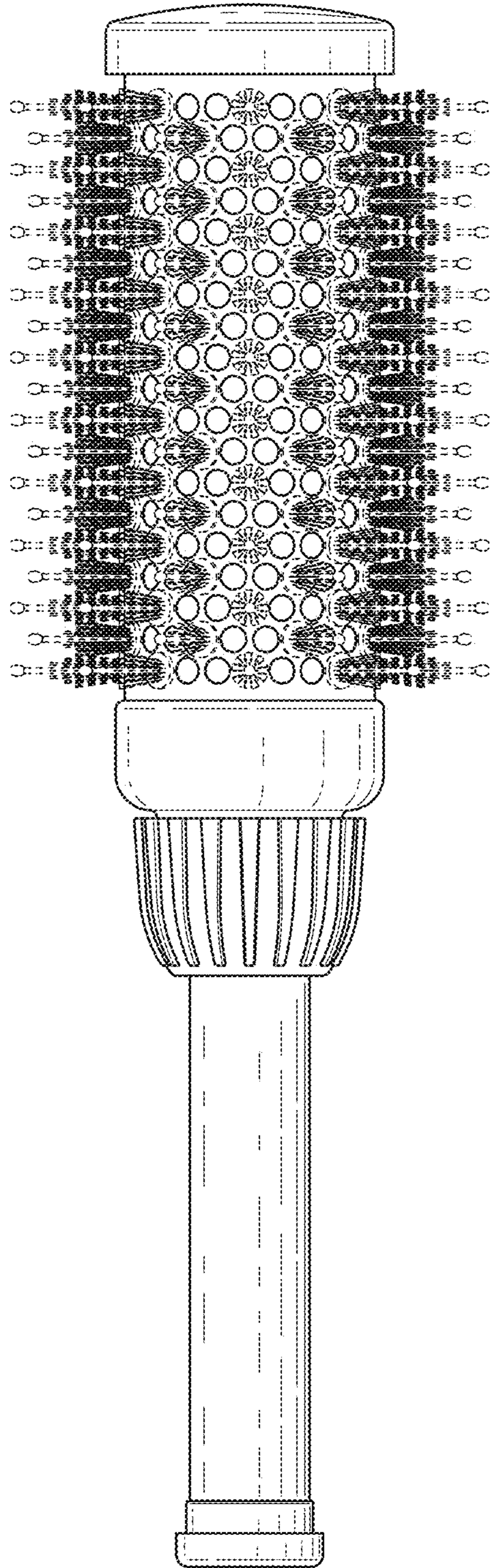


FIG.2

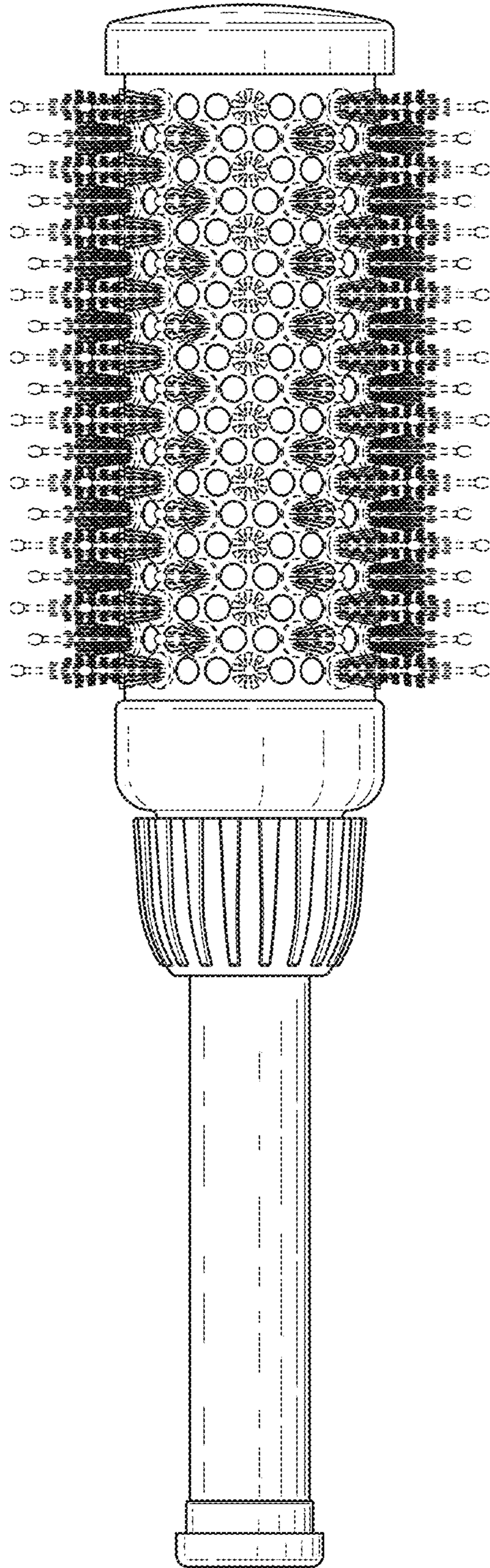


FIG.3

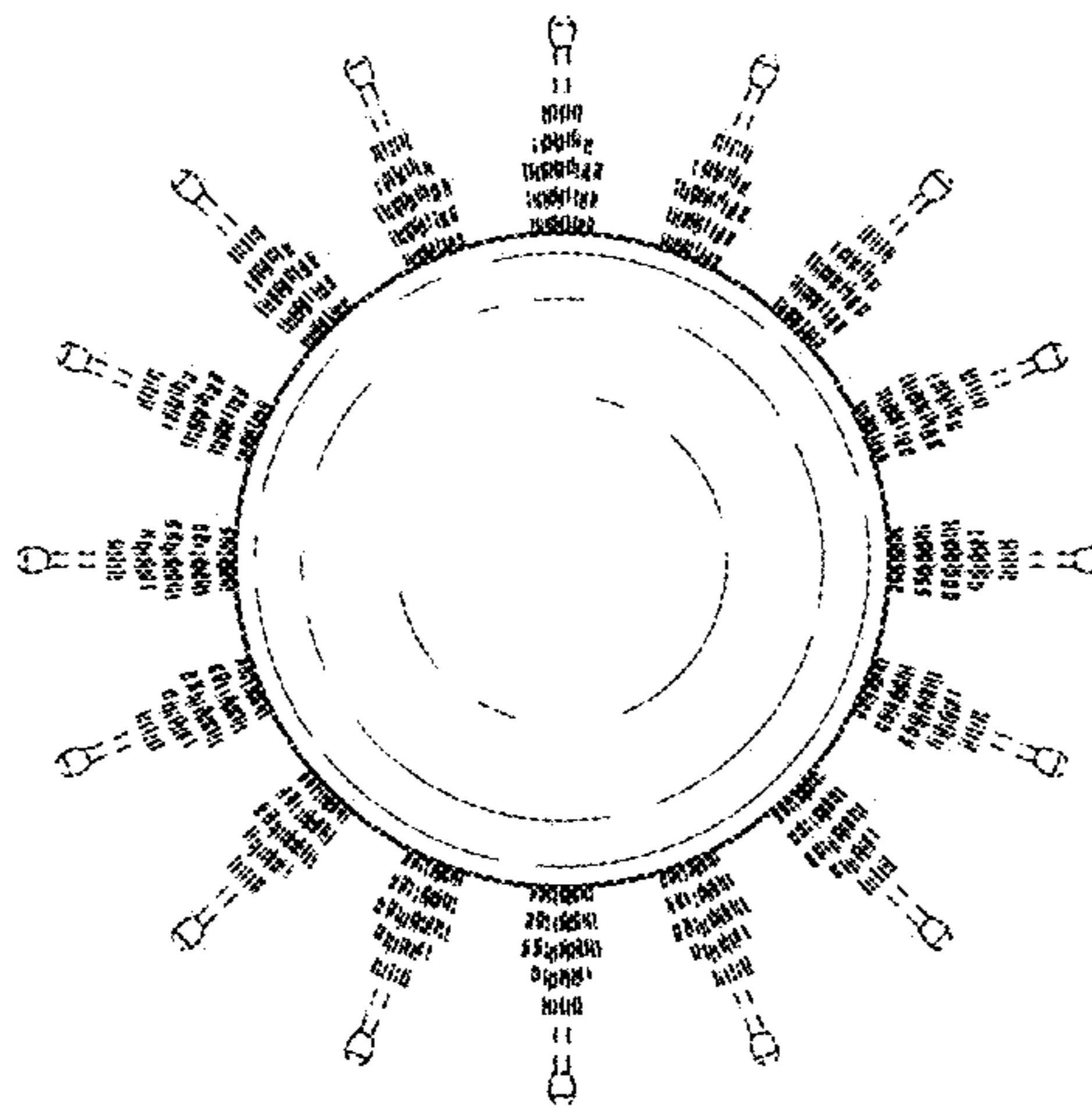


FIG.4

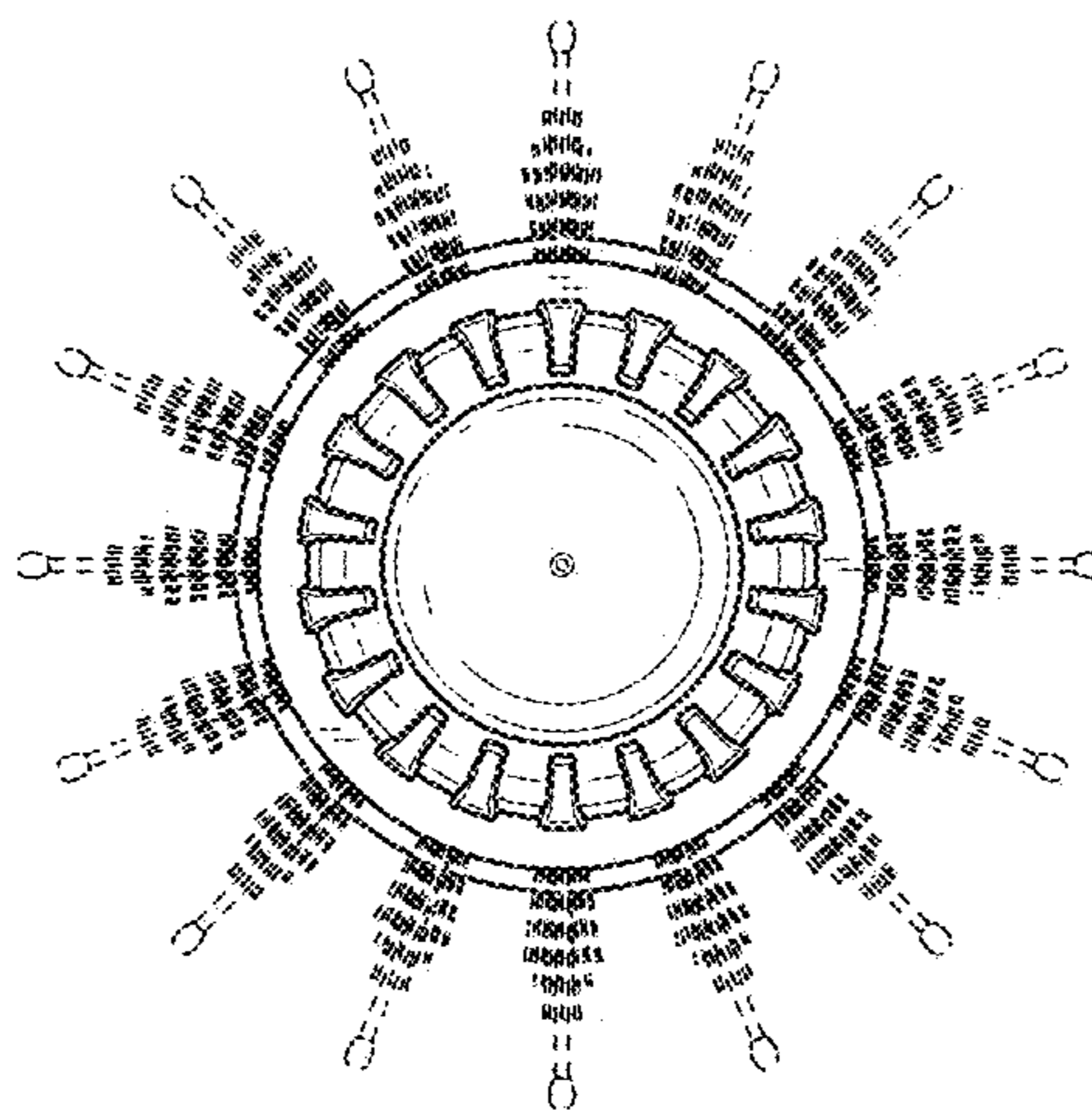


FIG.5

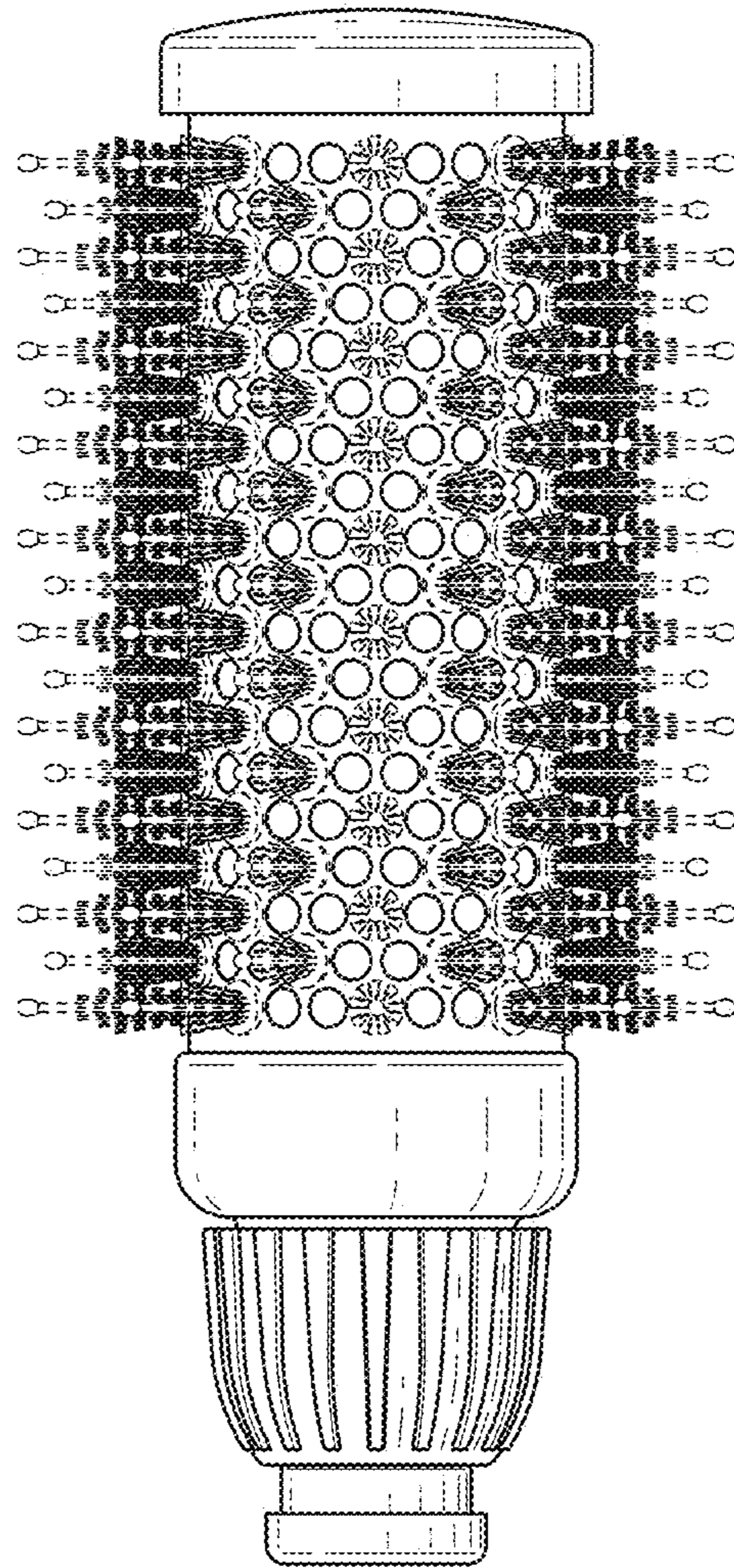


FIG.6

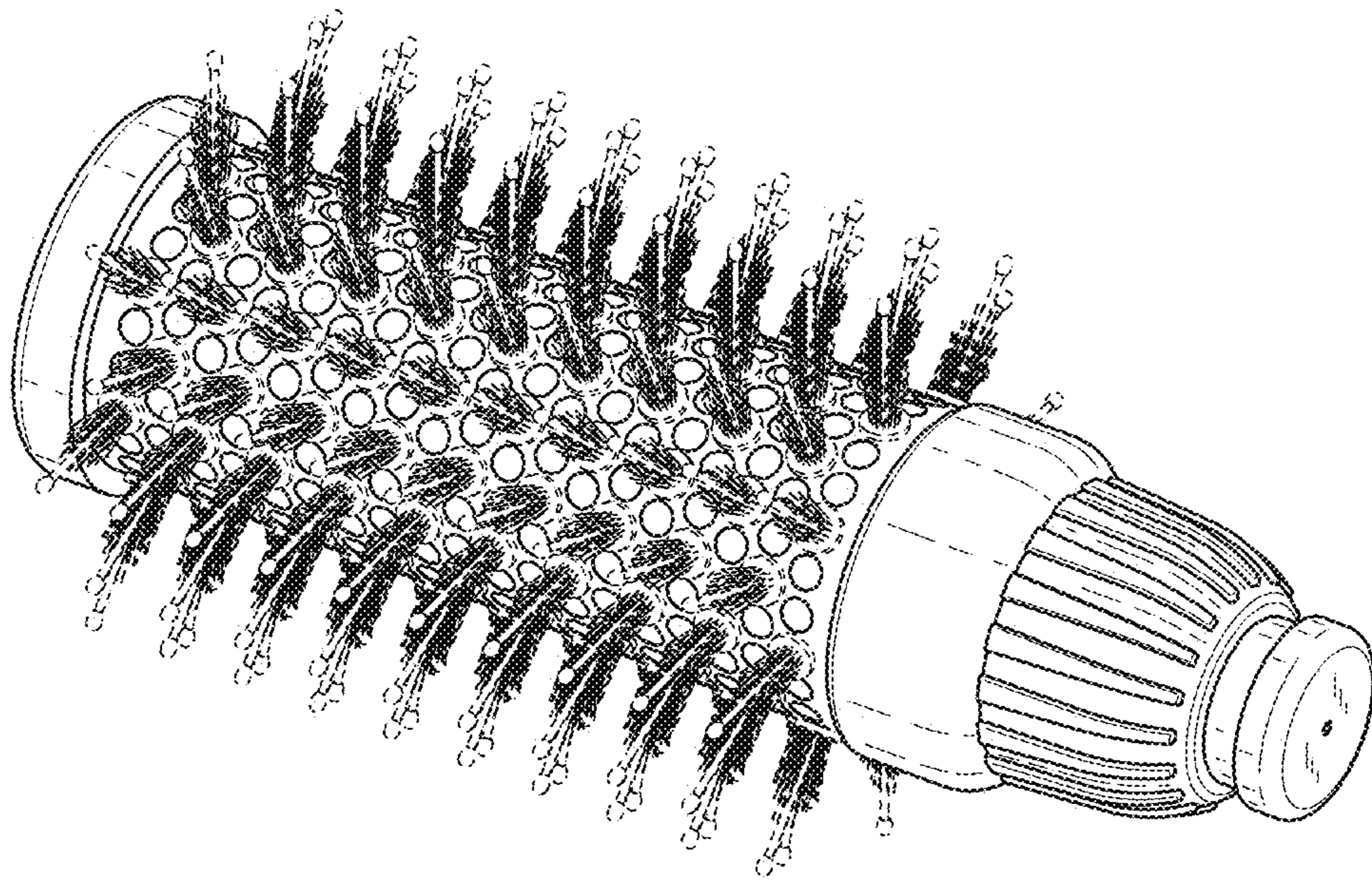


FIG.7