



US00D898362S

(12) **United States Design Patent** (10) **Patent No.:** **US D898,362 S**  
**Howard et al.** (45) **Date of Patent:** **\*\* Oct. 13, 2020**

(54) **HOLDER FOR BAG SUCH AS PET WASTE BAG**

*Primary Examiner* — Holly H Baynham  
(74) *Attorney, Agent, or Firm* — Hayne and Boone, LLP

(71) Applicant: **Howard Innovations, LLC**, Osprey, FL (US)

(72) Inventors: **Joshua D. Howard**, Osprey, FL (US);  
**Lydia F. Howard**, Osprey, FL (US);  
**Samuel Howard**, Osprey, FL (US)

(57) **CLAIM**

The ornamental design for a holder for bag such as pet waste bag, as shown and described.

(73) Assignee: **HOWARD INNOVATIONS, LLC**, Osprey, FL (US)

(\*\*) Term: **15 Years**

**DESCRIPTION**

(21) Appl. No.: **29/701,268**

(22) Filed: **Aug. 9, 2019**

(51) **LOC (12) Cl.** ..... **03-01**

(52) **U.S. Cl.**  
USPC ..... **D3/328**

(58) **Field of Classification Search**  
USPC ..... D3/328; D8/367  
CPC .. A45C 3/04; A45C 13/00; A45C 5/14; A45C 11/00

See application file for complete search history.

FIG. 1 is a front perspective view of a holder for bag such as pet waste bag showing our new design according to a first embodiment;

FIG. 2 is a front view of the first embodiment;

FIG. 3 is a rear view of the first embodiment;

FIG. 4 is a right side view of the first embodiment;

FIG. 5 is a left side view of the first embodiment;

FIG. 6 is a top view of the first embodiment;

FIG. 7 is a bottom view of the first embodiment;

FIG. 8 is rear perspective view of the first embodiment; and,

FIG. 9 is a front view of a holder for bag such as pet waste bag showing our new design according to a second embodiment, the second embodiment being identical to the first embodiment except that the second embodiment has one indeterminate length as indicated in FIG. 9.

In FIG. 9, the second embodiment of the holder for bag such as pet waste bag is shown with break lines to indicate the one indeterminate length in FIG. 9; the appearance of any portion of the second embodiment of the holder for bag such as pet waste bag between the break lines forms no part of the claimed design.

The broken lines in FIGS. 1-5 and 7-9 show portions of the holder for bag such as pet waste bag that form no part of the claimed design.

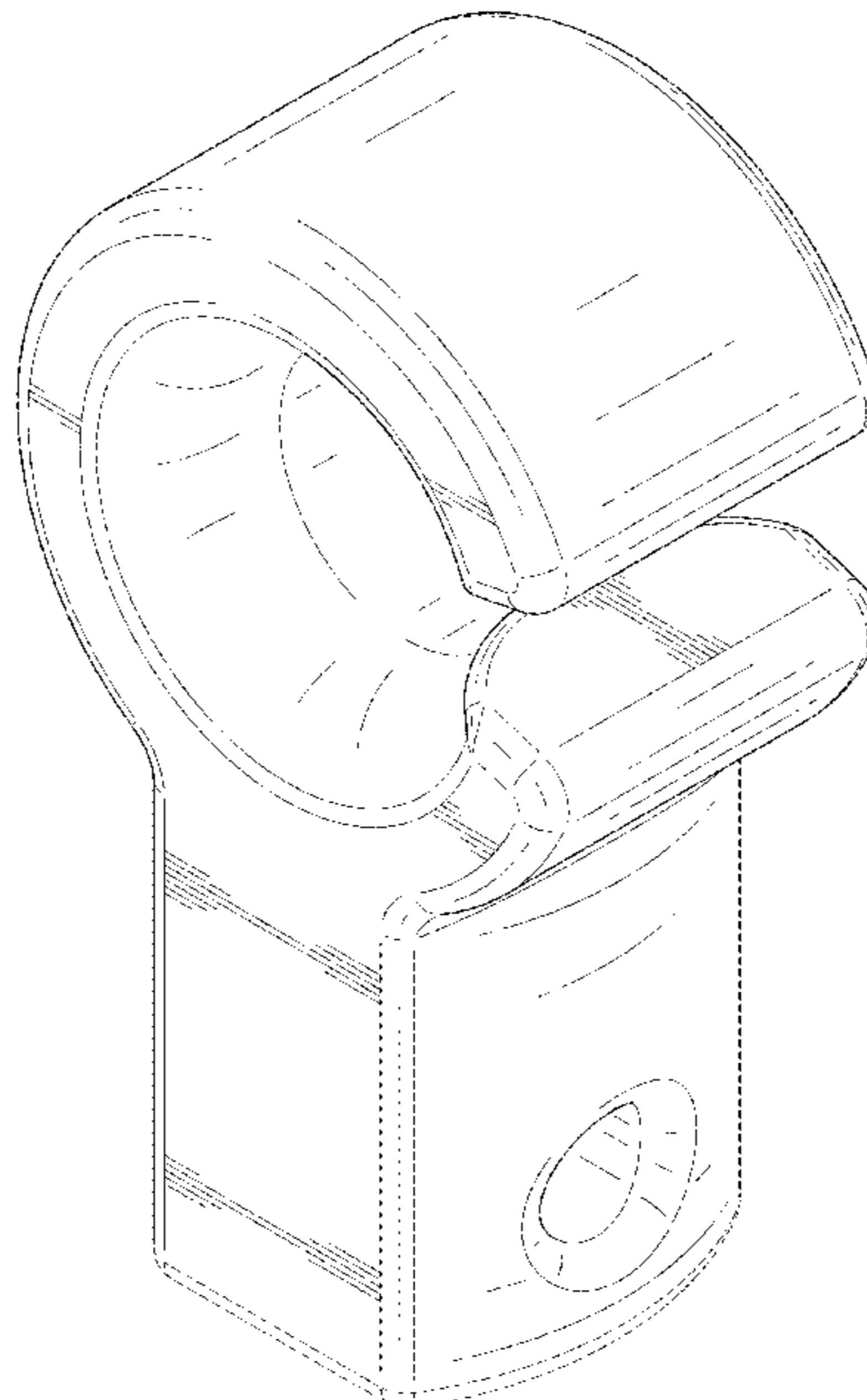
(56) **References Cited**

U.S. PATENT DOCUMENTS

D447,947 S *	9/2001	Nakagawa	.....	D3/328
D476,815 S *	7/2003	Richter	.....	D3/328
D653,525 S *	2/2012	Pottes	.....	D8/367
D713,149 S *	9/2014	Swisa	.....	D3/328
D756,657 S *	5/2016	Fisher	.....	D3/328
D763,065 S *	8/2016	Tu	.....	D8/367
D764,803 S *	8/2016	Chiou	.....	D3/328
9,625,088 B1 *	4/2017	Tan	.....	A63B 55/408
D849,518 S *	5/2019	Crawford	.....	D8/367

\* cited by examiner

**1 Claim, 8 Drawing Sheets**



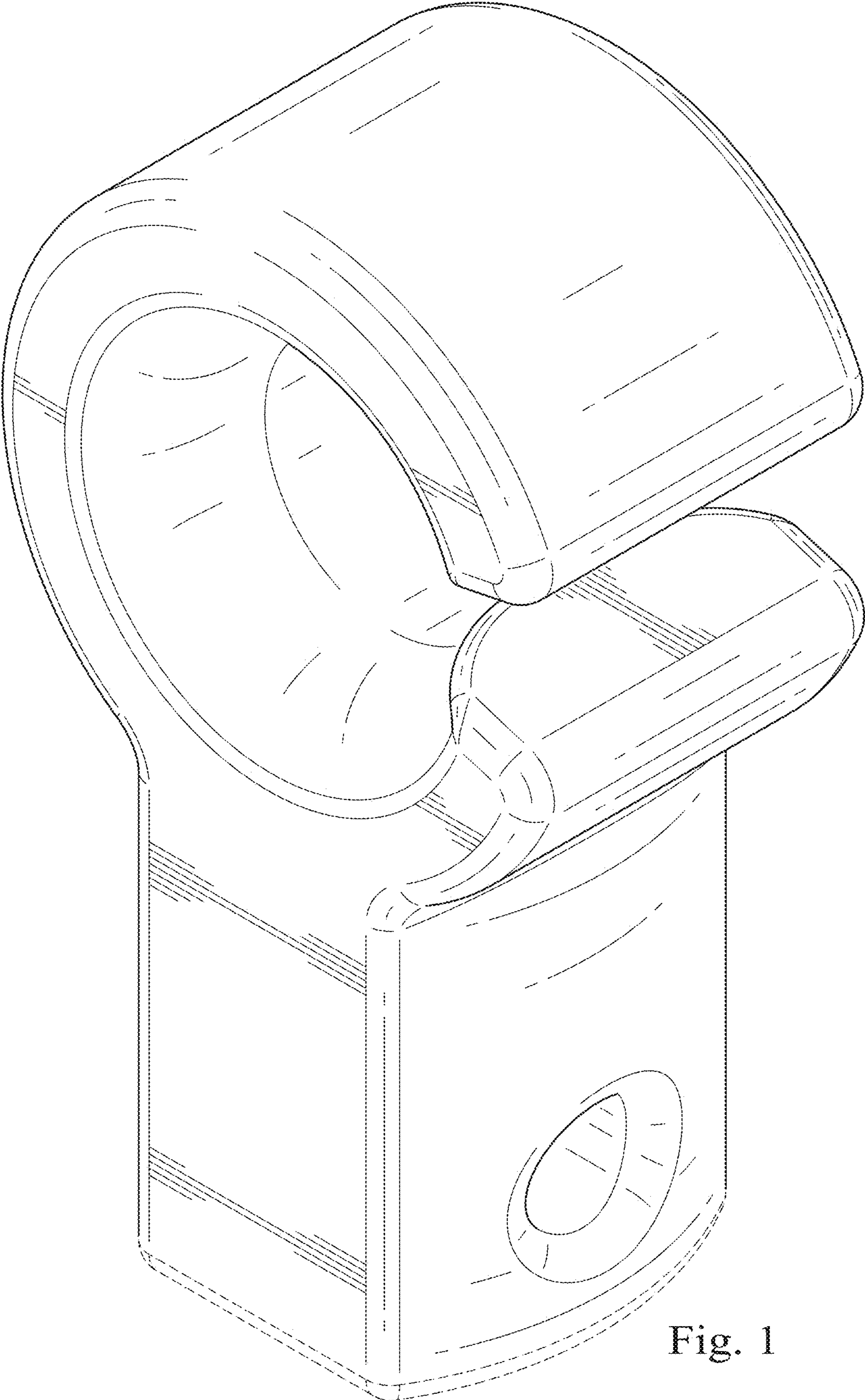


Fig. 1

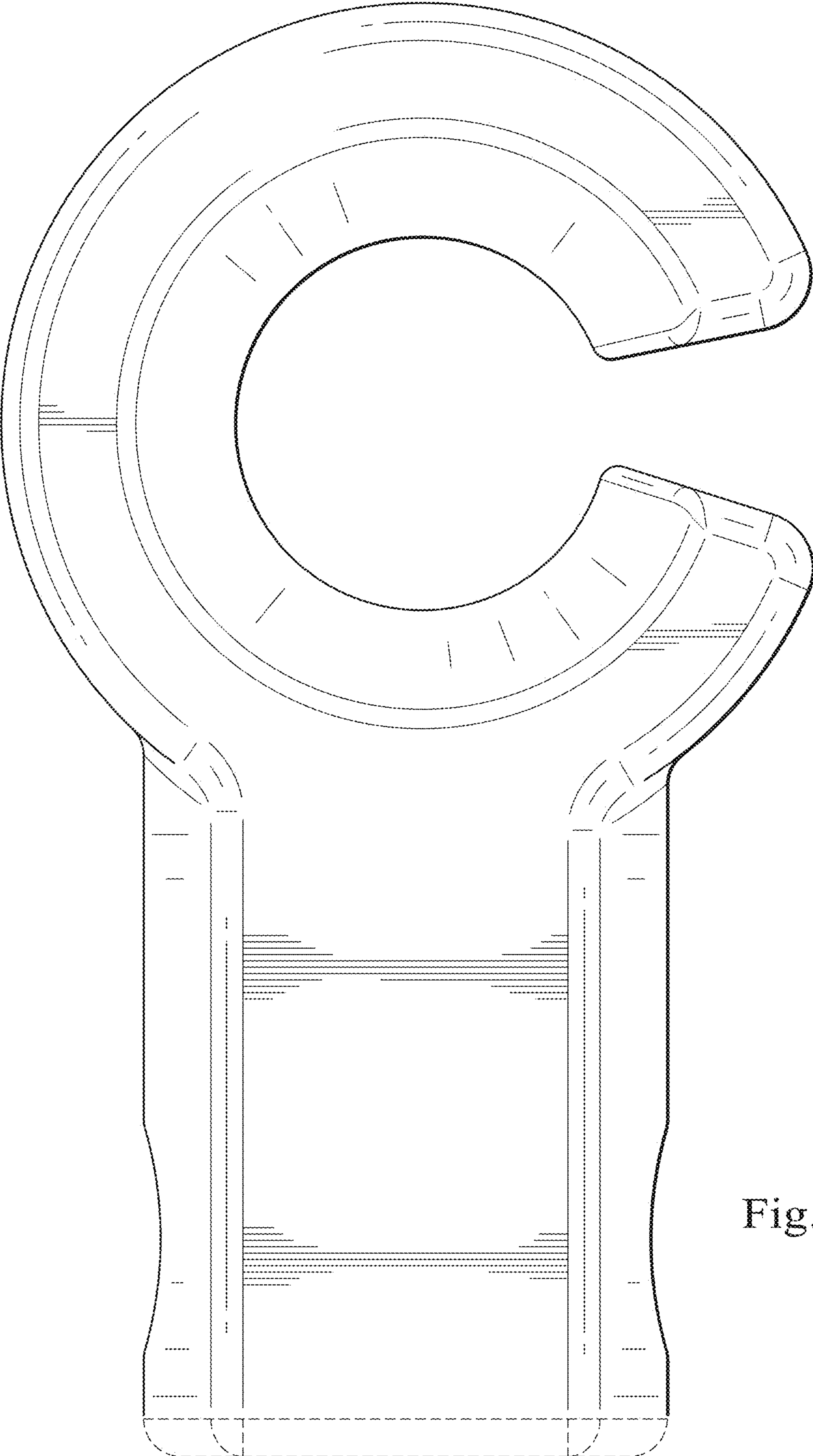


Fig. 2

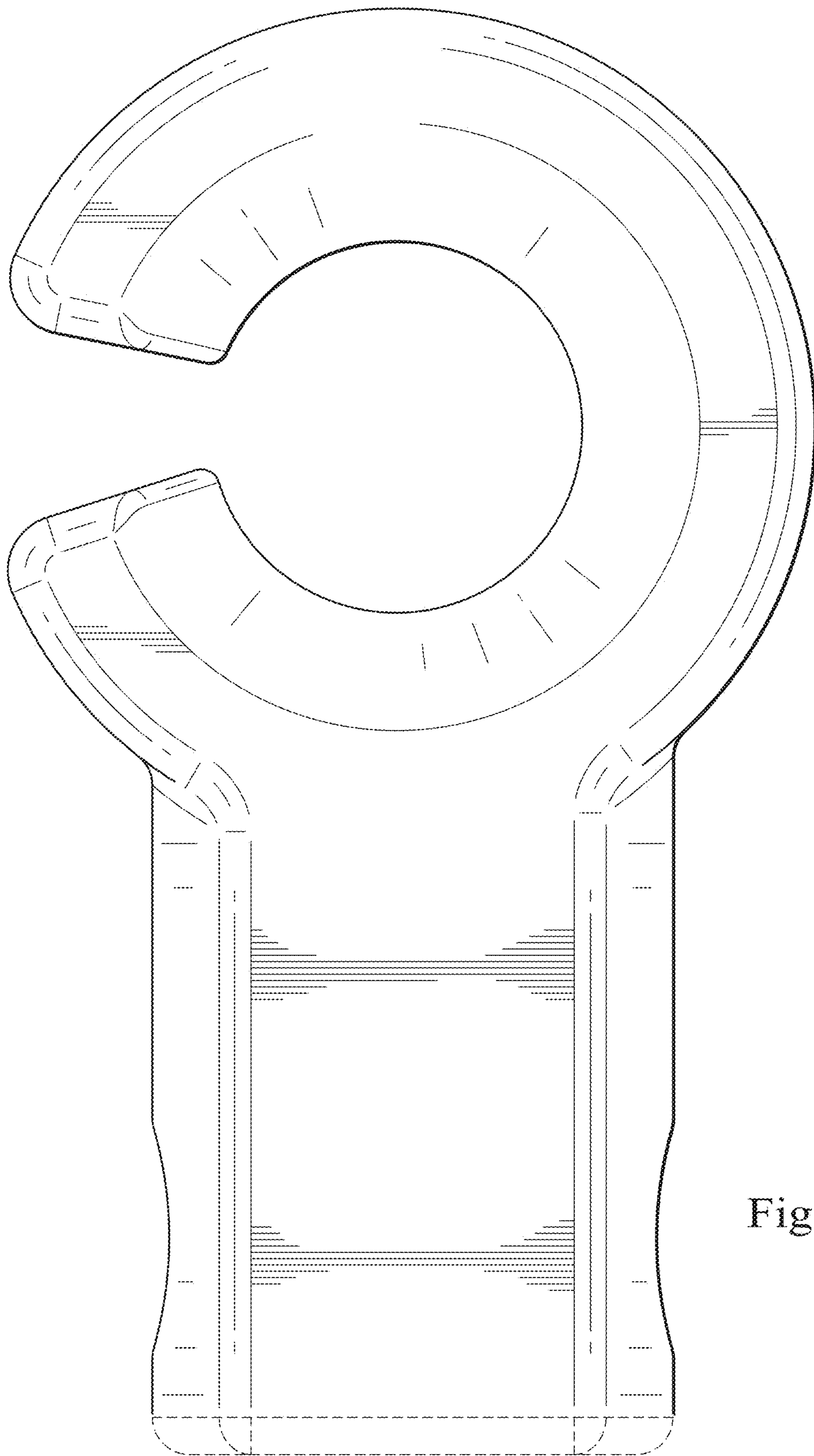


Fig. 3

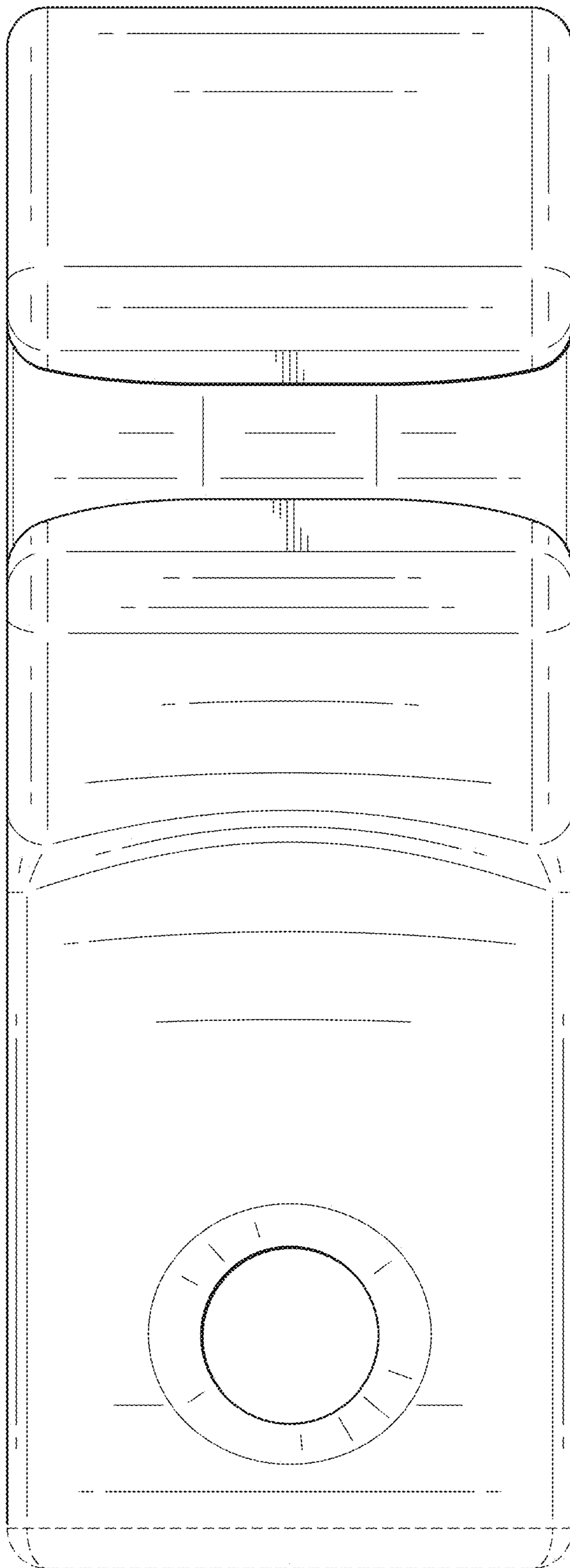


Fig. 4

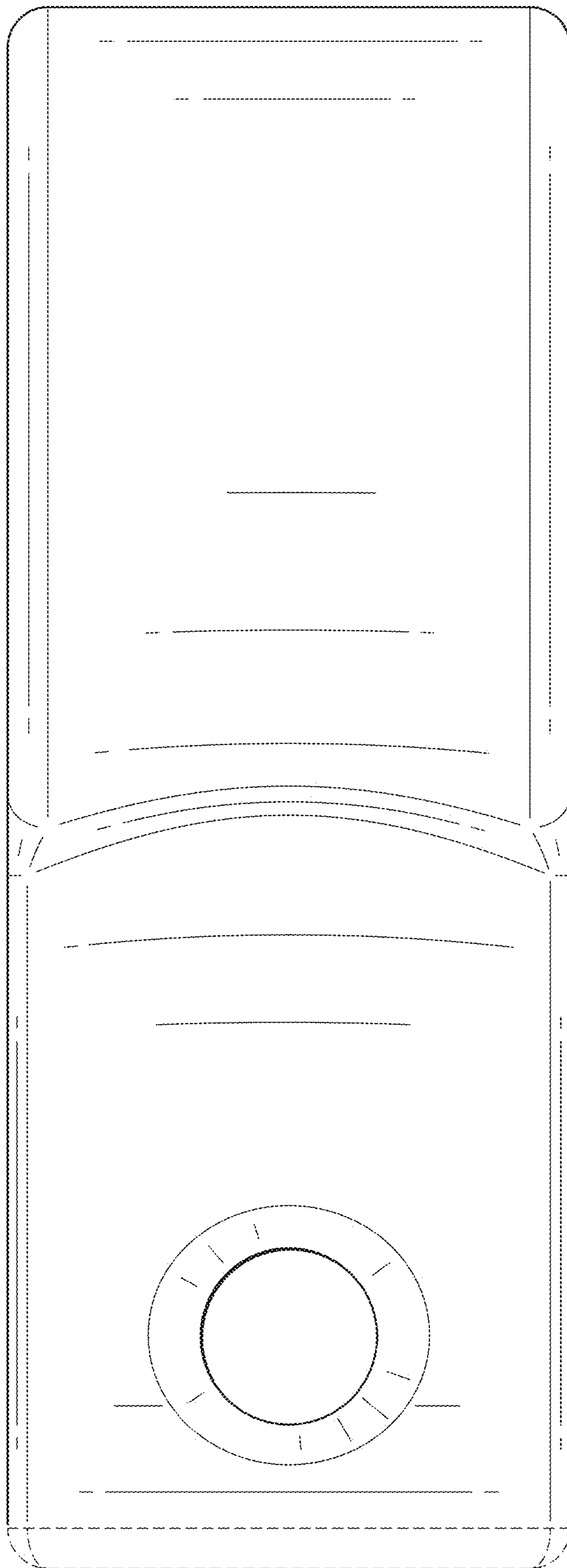


Fig. 5

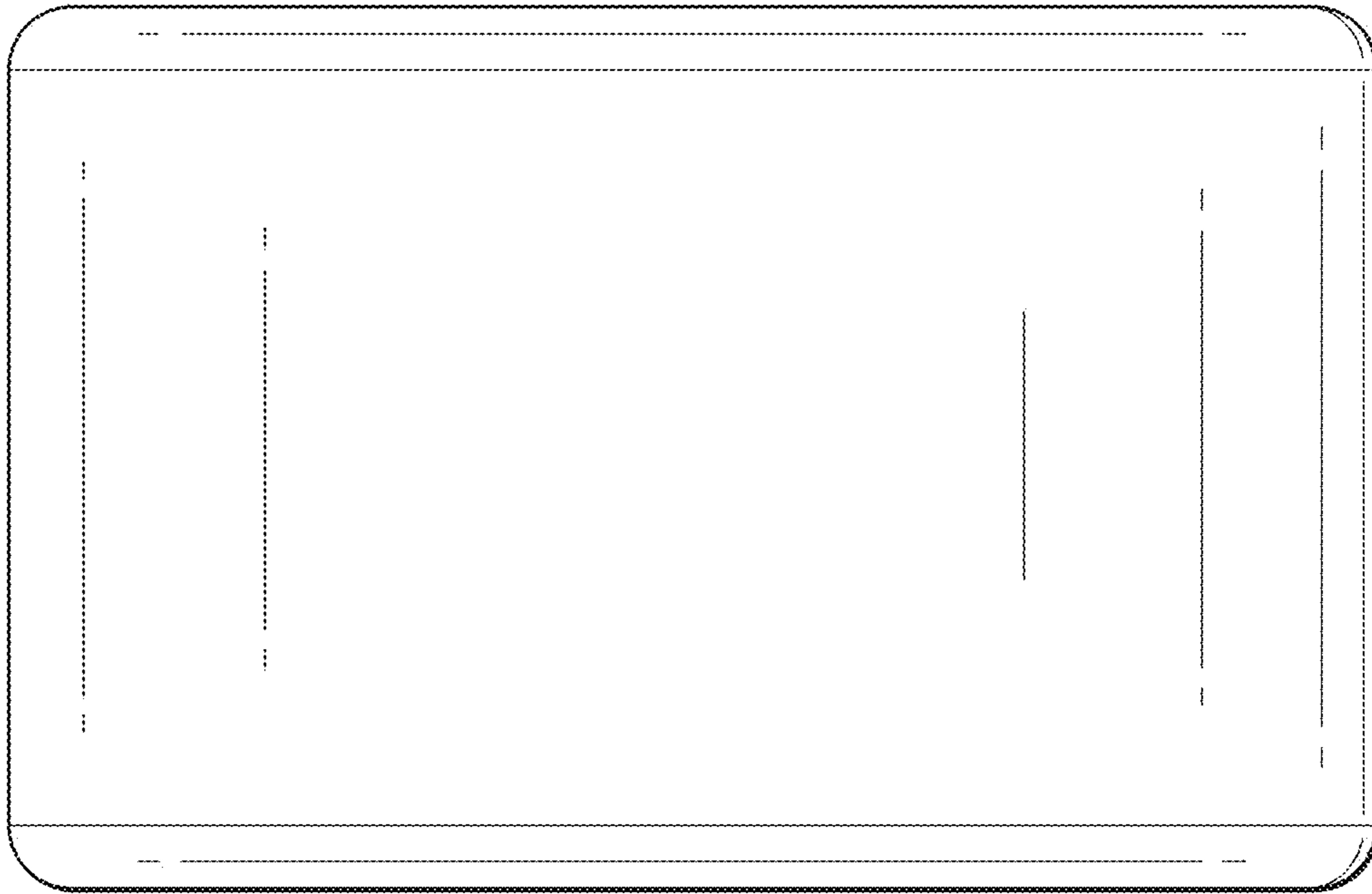


Fig. 6

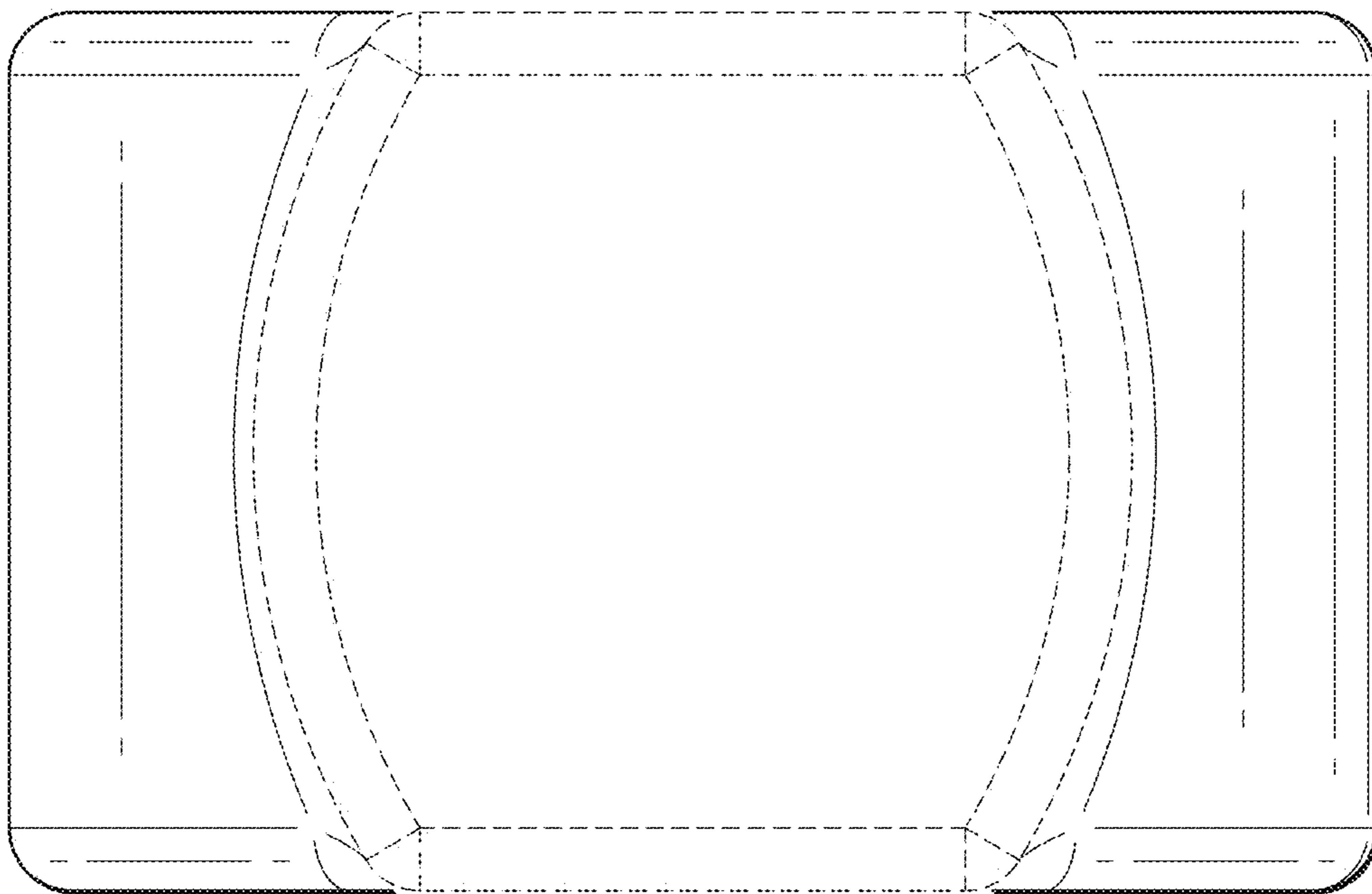


Fig. 7

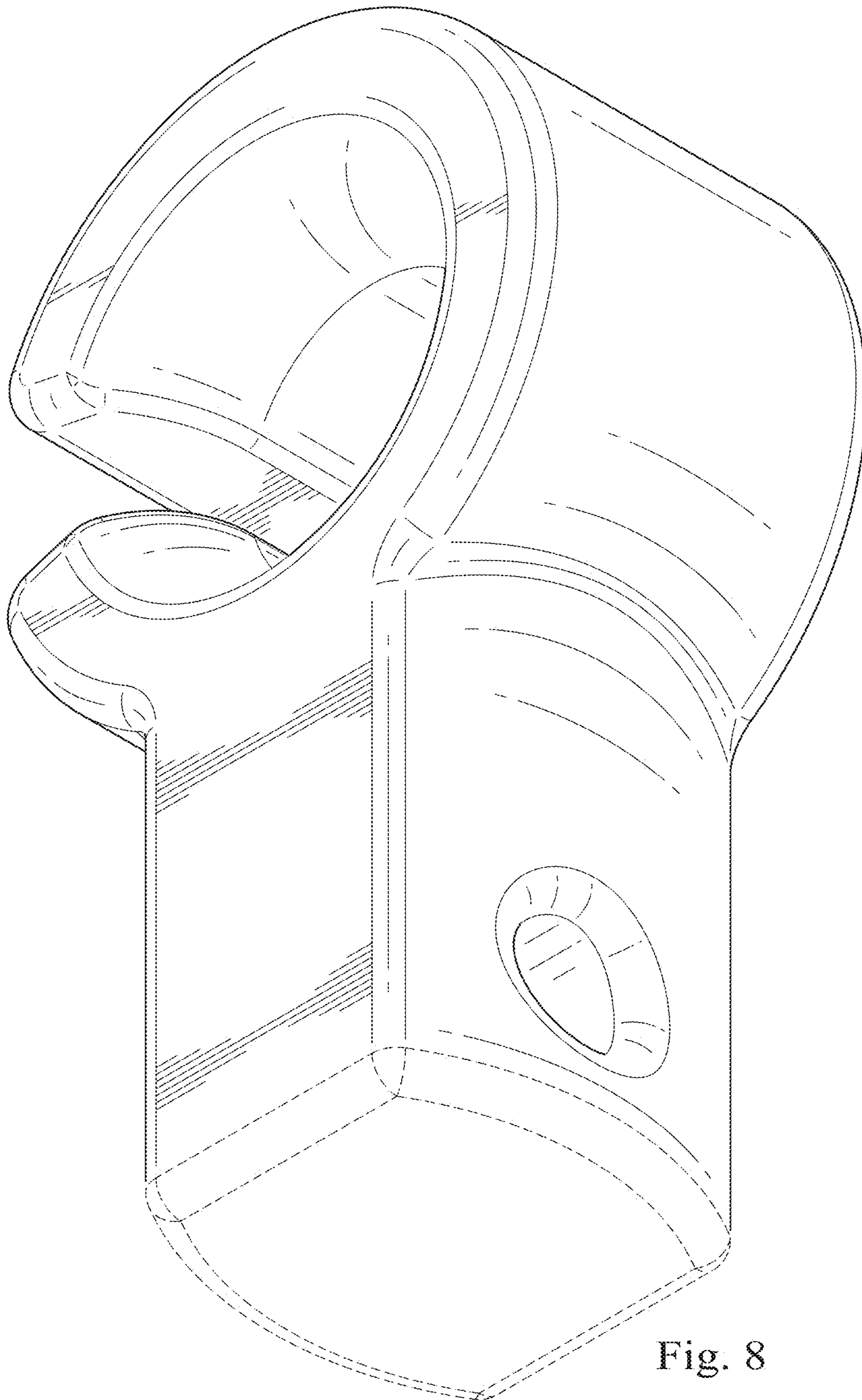


Fig. 8



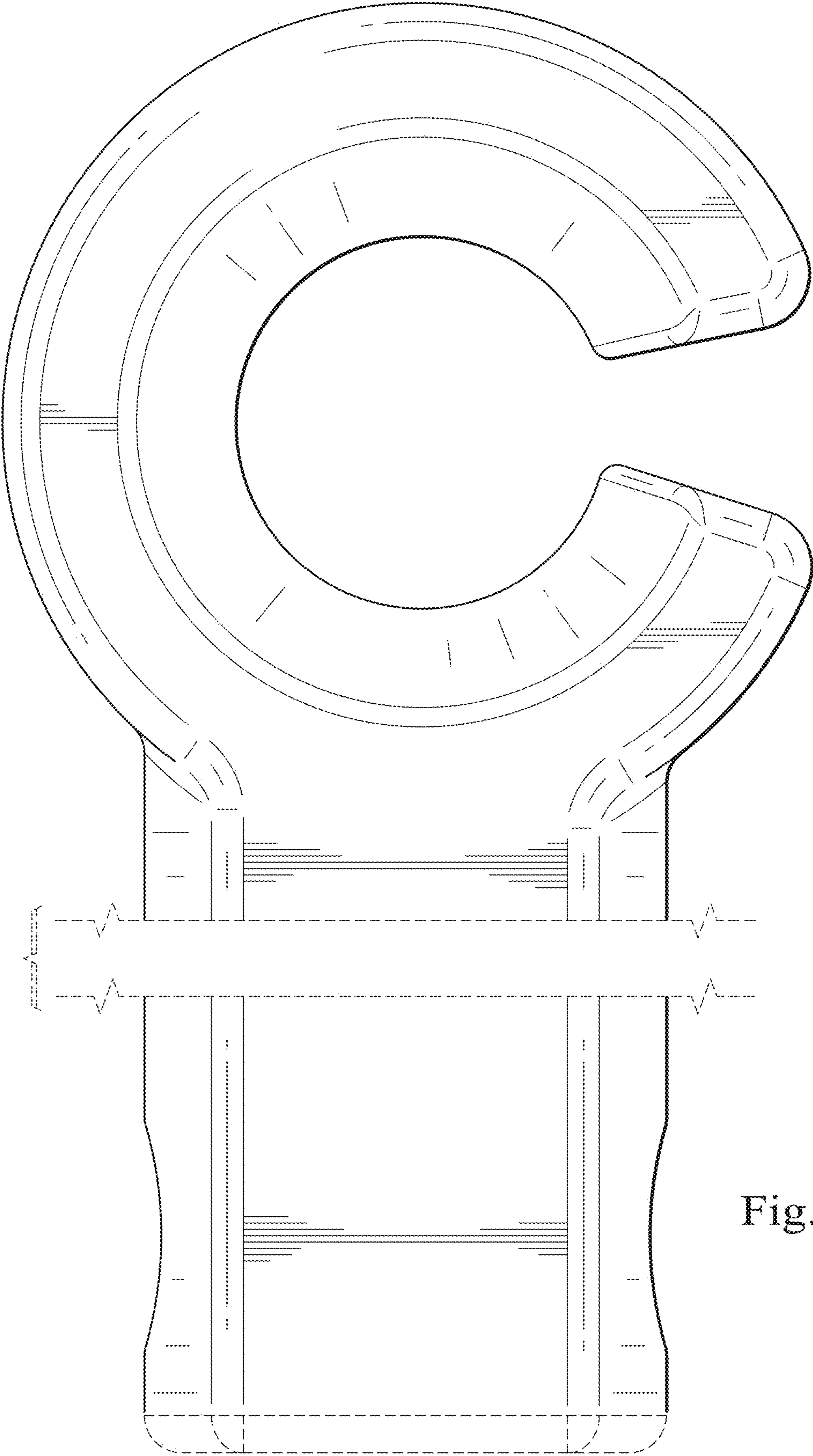


Fig. 9