



US00D898360S

(12) **United States Design Patent** (10) **Patent No.:** **US D898,360 S**
Elkind et al. (45) **Date of Patent:** **** Oct. 13, 2020**

(54) **CHILDPROOF STORAGE CONTAINER**

OTHER PUBLICATIONS

- (71) Applicant: **Sto Responsible, LLC**, Lafayette, CO (US)
- (72) Inventors: **Sandra Elkind**, Lafayette, CO (US);
Shuichi Amano, Bethlehem, PA (US);
Michael Creighton, Warrington, PA (US)
- (73) Assignee: **STO Responsible, LLC**, Lafayette, CO (US)
- (**) Term: **15 Years**
- (21) Appl. No.: **29/673,771**
- (22) Filed: **Dec. 18, 2018**

Healthcare Packaging, "STO Responsible: Sustainable, Child-Resistant Box", Posted Oct. 24, 2018. (<https://www.healthcarepackaging.com/markets/cannabis/press-release/13295484/sto-responsible-sustainable-childresistant-box>) (Year: 2018).*

(Continued)

Primary Examiner — April Rivas

(74) *Attorney, Agent, or Firm* — Holland & Hart LLP

(57) **CLAIM**

The ornamental design for a childproof storage container, as shown and described.

DESCRIPTION

Related U.S. Application Data

- (63) Continuation of application No. 16/108,903, filed on Aug. 22, 2018.
- (51) **LOC (12) Cl.** **03-01**
- (52) **U.S. Cl.**
USPC **D3/294**
- (58) **Field of Classification Search**
USPC D3/201, 203.1, 203.2, 273, 276, 294,
D3/295, 298, 302, 318, 901, 902, 903;
(Continued)

FIG. 1 is a perspective front view of a first embodiment of a childproof storage container according to the present invention;
 FIG. 2 is a perspective back view thereof;
 FIG. 3 is a front view thereof;
 FIG. 4 is a rear view thereof;
 FIG. 5 is a right side view thereof;
 FIG. 6 is a left side view thereof;
 FIG. 7 is a top view thereof;
 FIG. 8 is a bottom view thereof;
 FIG. 9 is a perspective front view of a second embodiment of the childproof storage container according to the present invention;
 FIG. 10 is a perspective back view thereof;
 FIG. 11 is a front view thereof;
 FIG. 12 is a rear view thereof;
 FIG. 13 is a right side view thereof;
 FIG. 14 is a left side view thereof;
 FIG. 15 is a top view thereof; and,
 FIG. 16 is a bottom view thereof.

The broken lines illustrate portions of the childproof storage container and form no part of the claimed design.

(56) **References Cited**

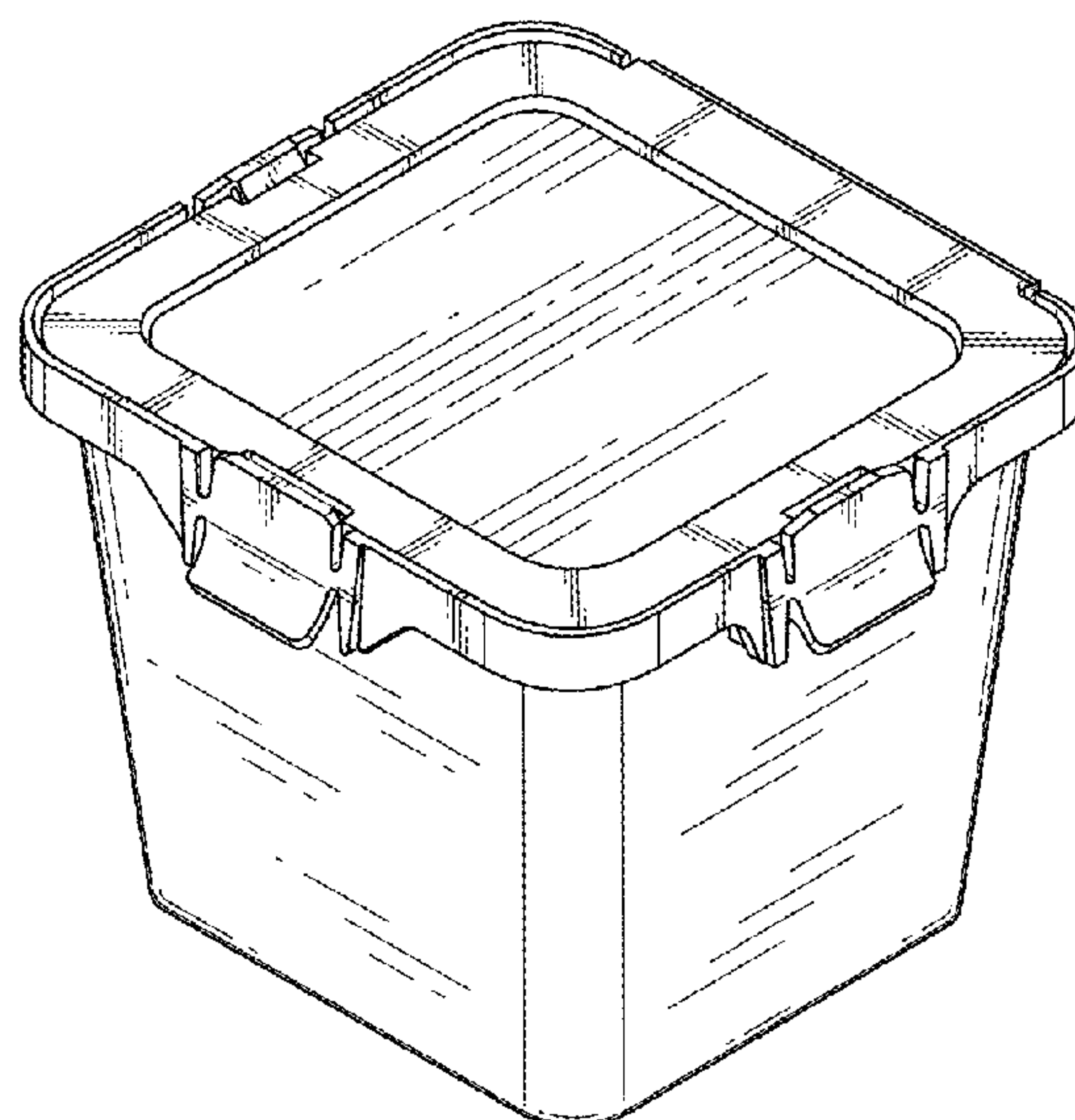
U.S. PATENT DOCUMENTS

- D168,205 S 11/1952 Baustian et al.
 - 2,936,189 A 5/1960 Pearson
- (Continued)

FOREIGN PATENT DOCUMENTS

- CA 2428862 11/2004
 - DE 225115 A1 7/1985
- (Continued)

1 Claim, 8 Drawing Sheets



(56)

References Cited

OTHER PUBLICATIONS

lifewithoutplastic.com/store/stainless-steel-airtight-watertight-food-storage-container-lunch-box-8-cm-3.html.

International Search Report & Written Opinion, PCT/US2018/047543, dated Feb. 11, 2019.

* cited by examiner

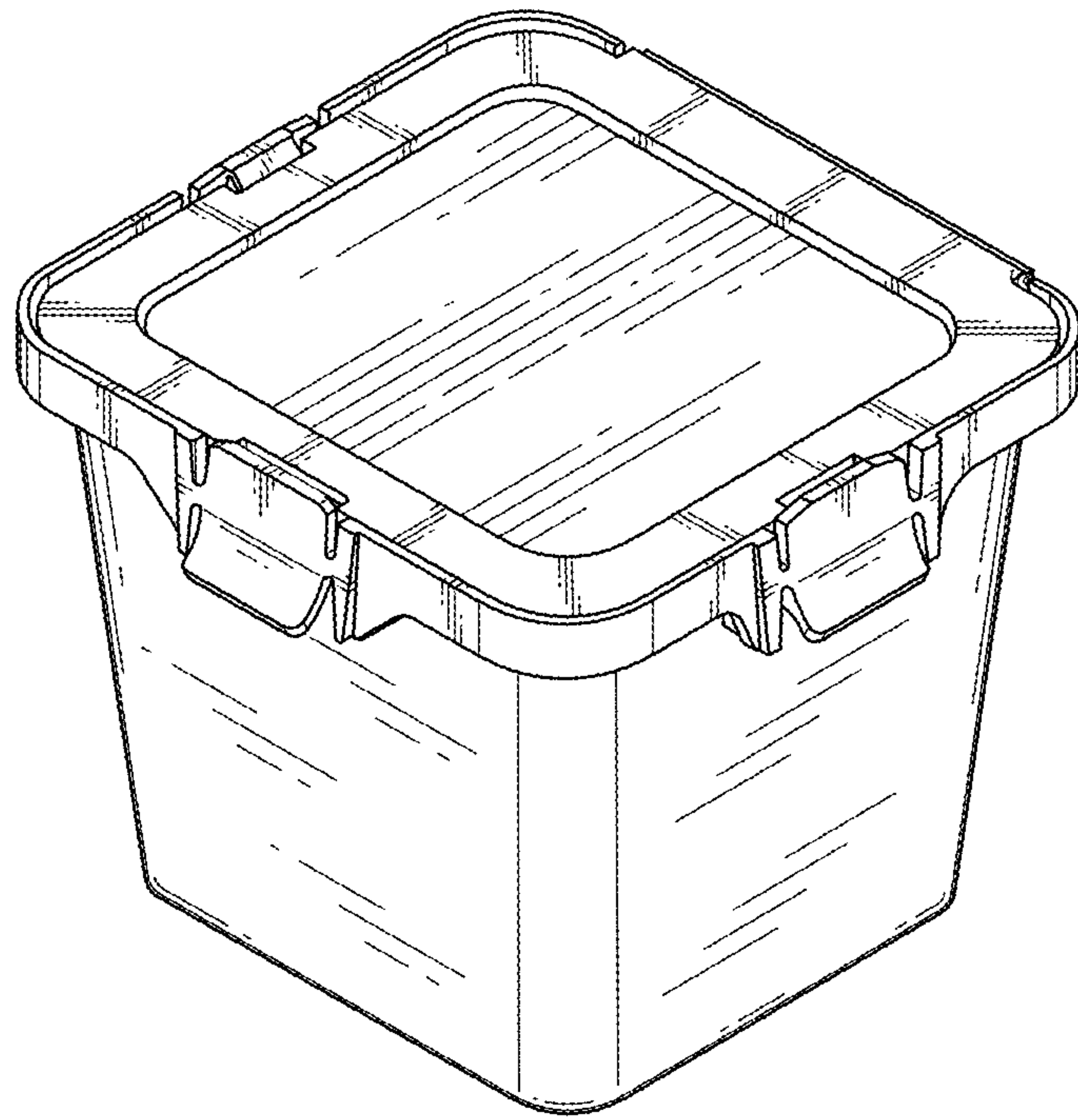


FIG. 1

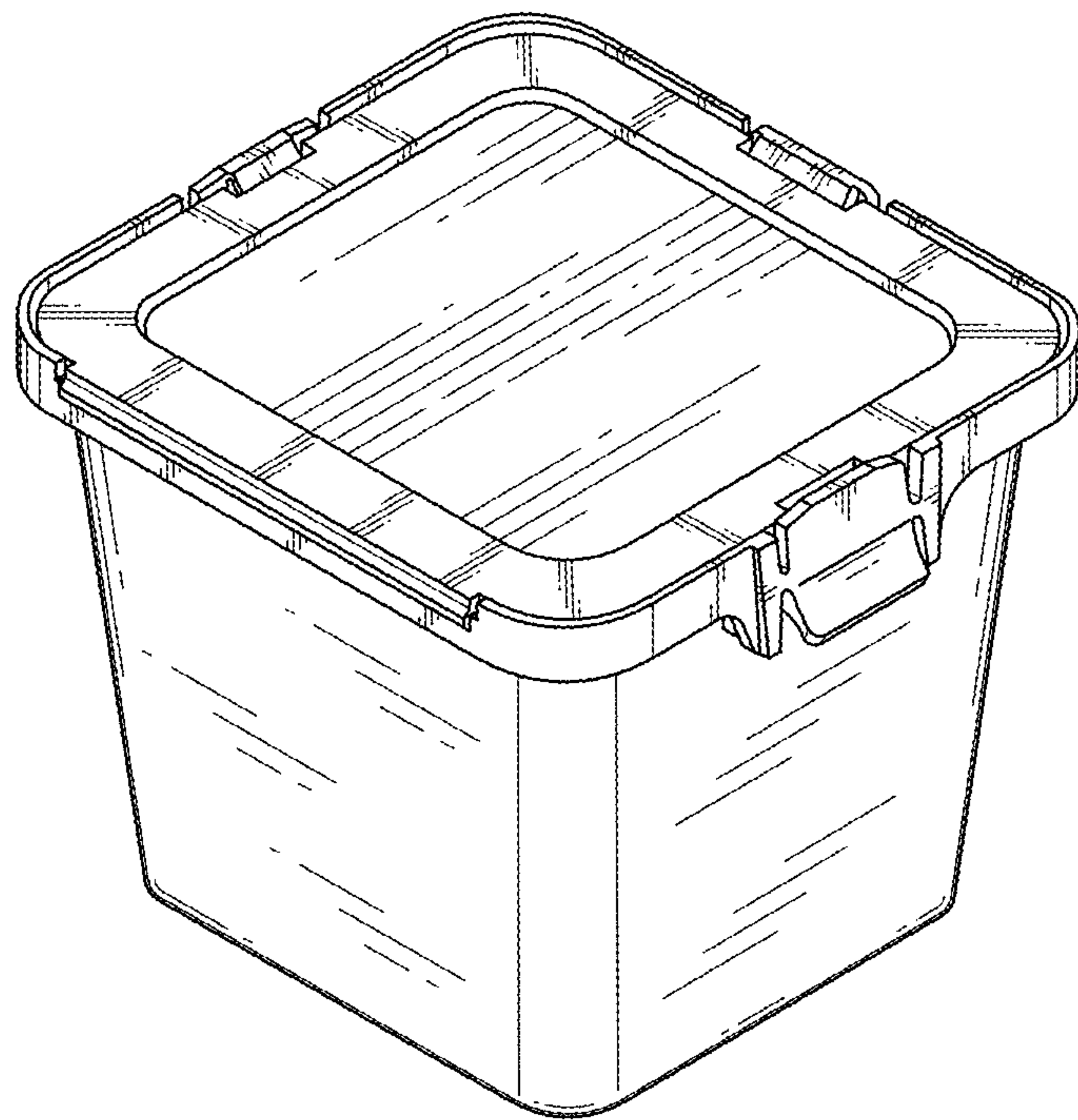


FIG. 2

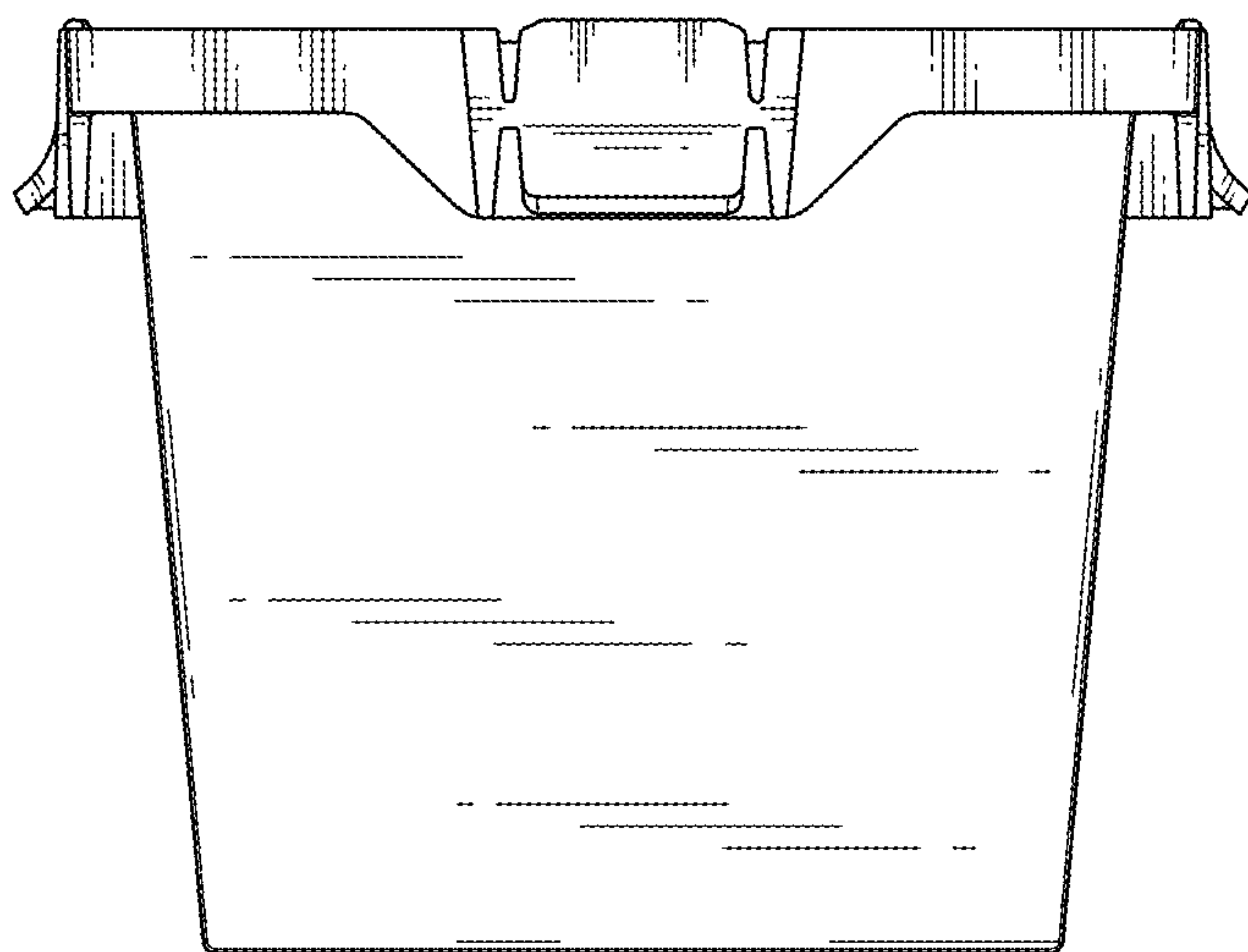


FIG. 3

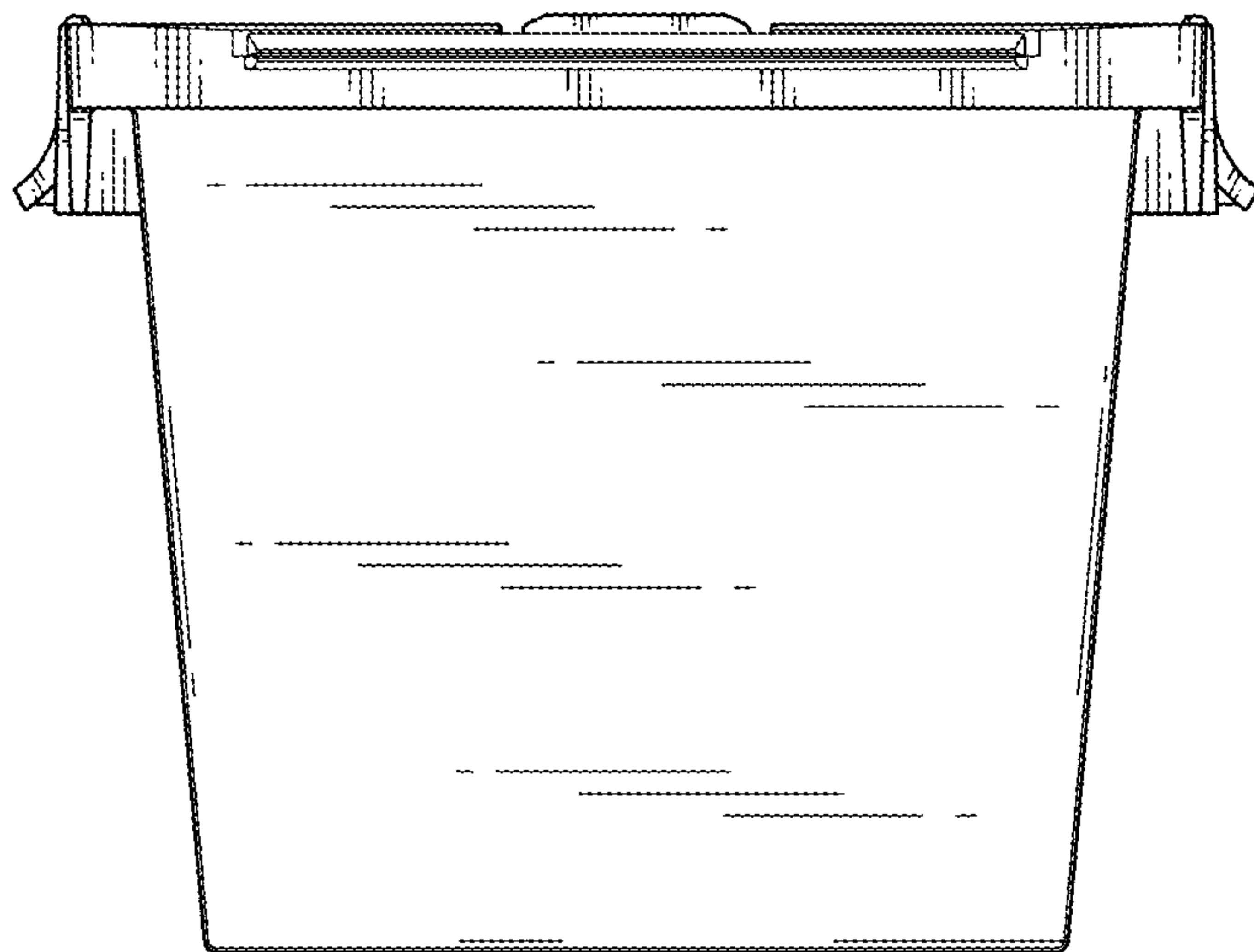


FIG. 4

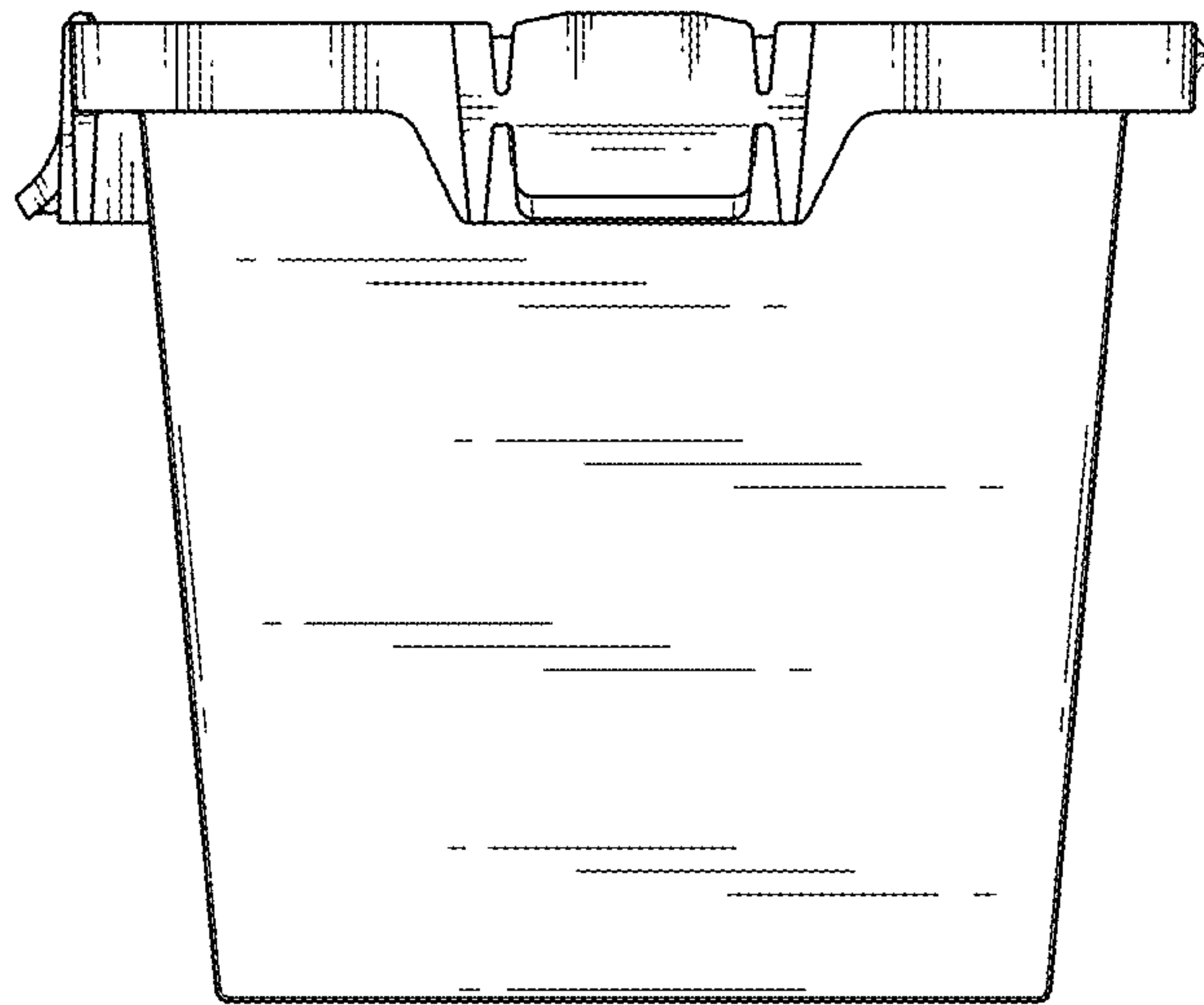


FIG. 5

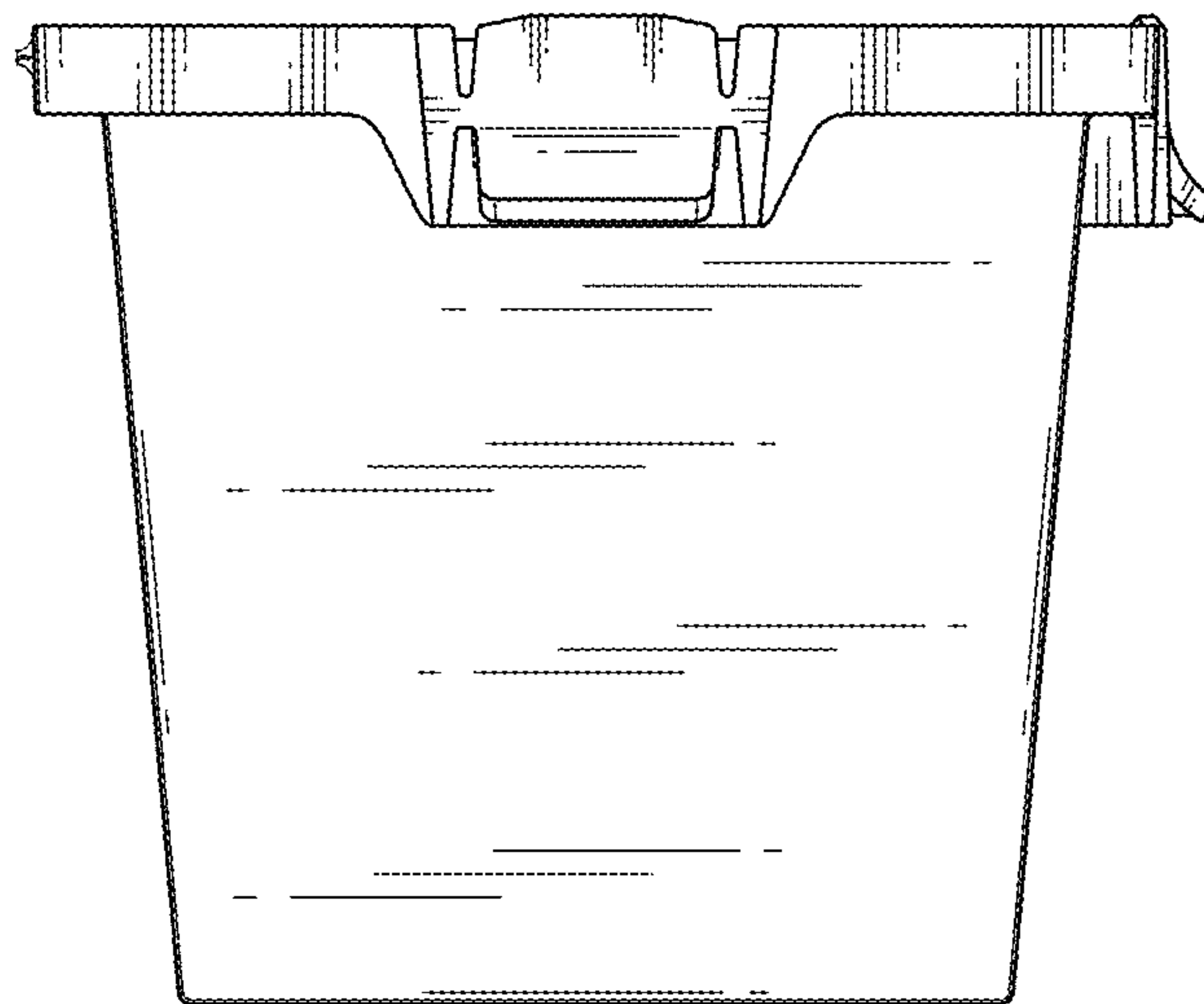


FIG. 6

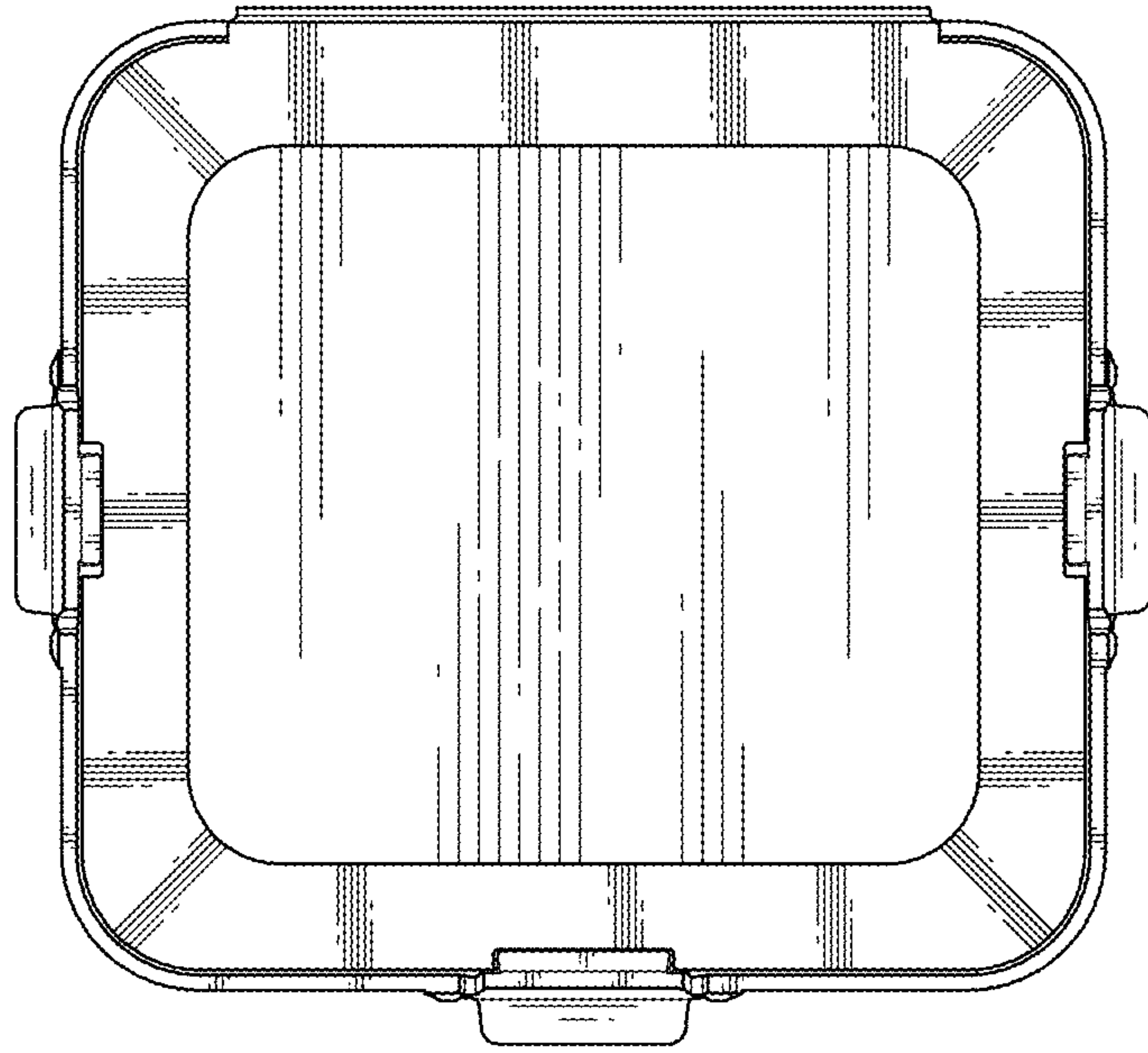


FIG. 7

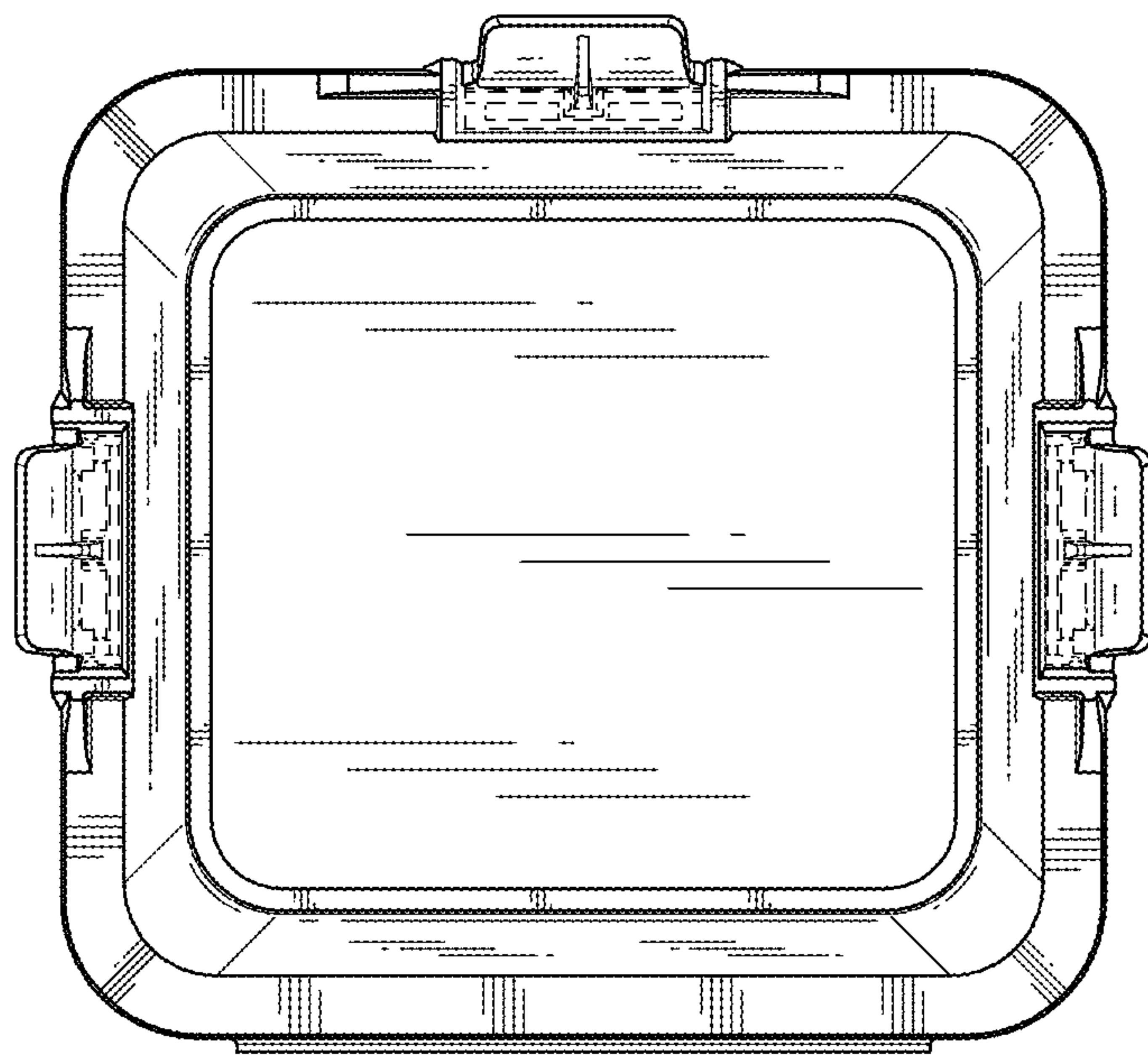


FIG. 8

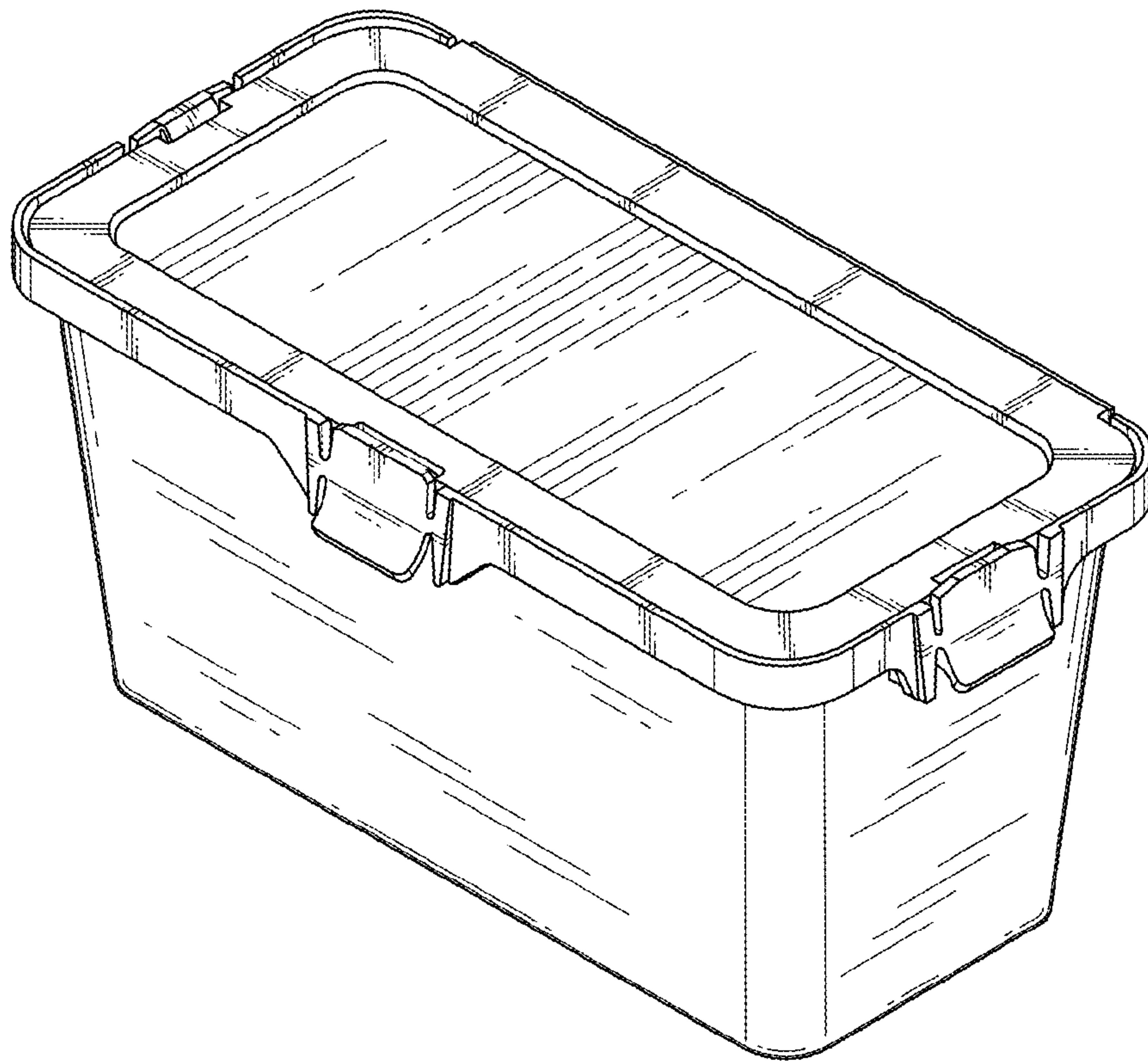


FIG. 9

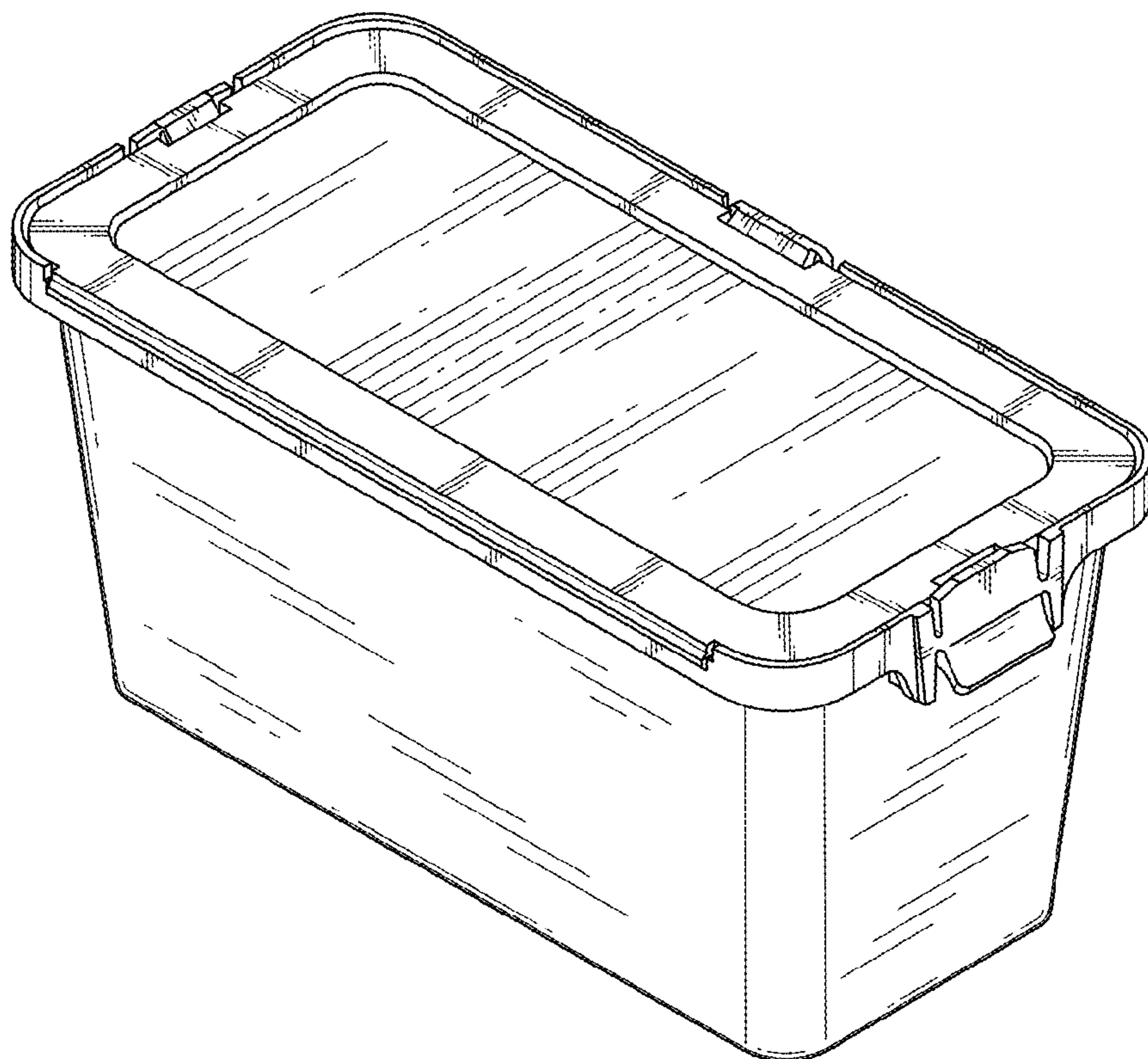


FIG. 10

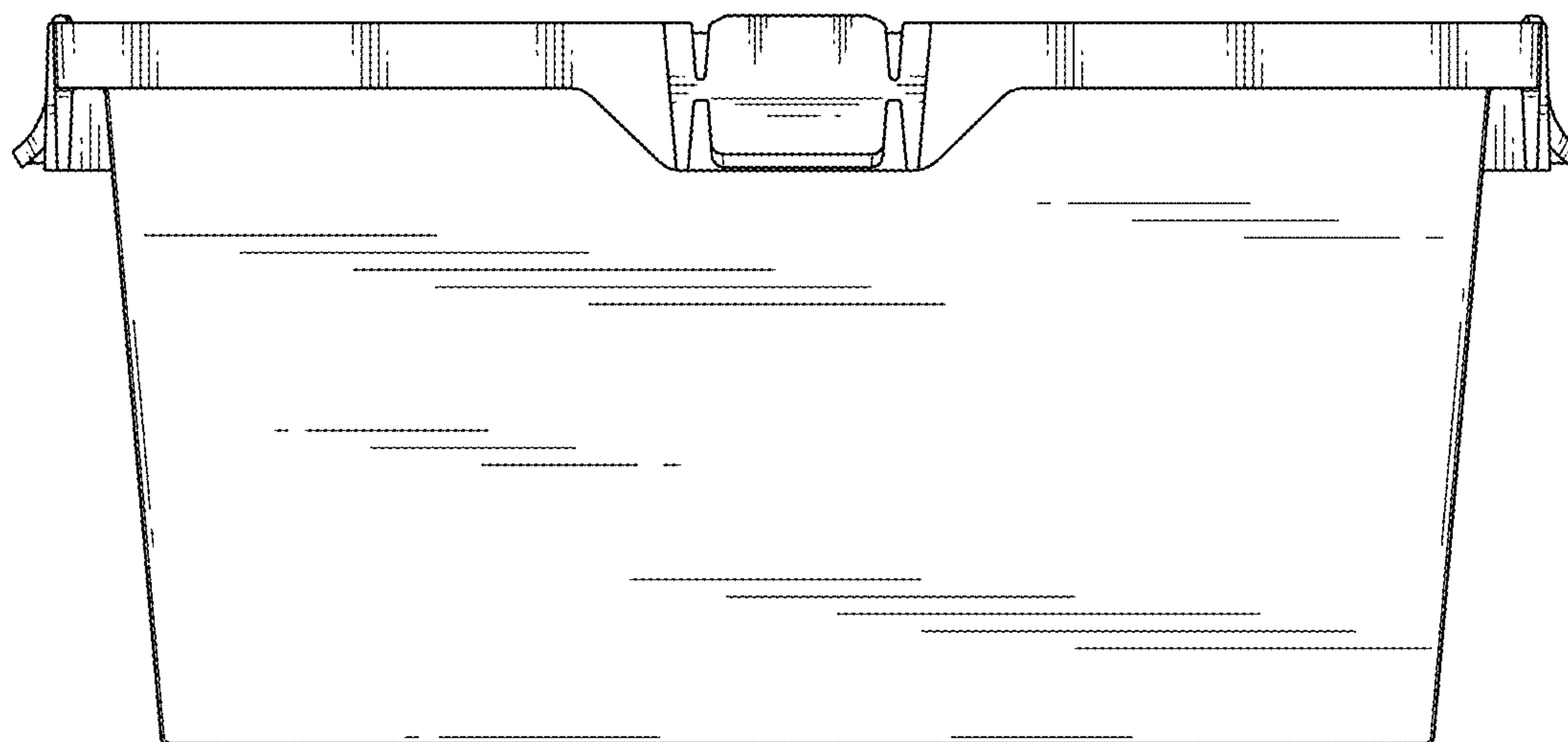


FIG. 11

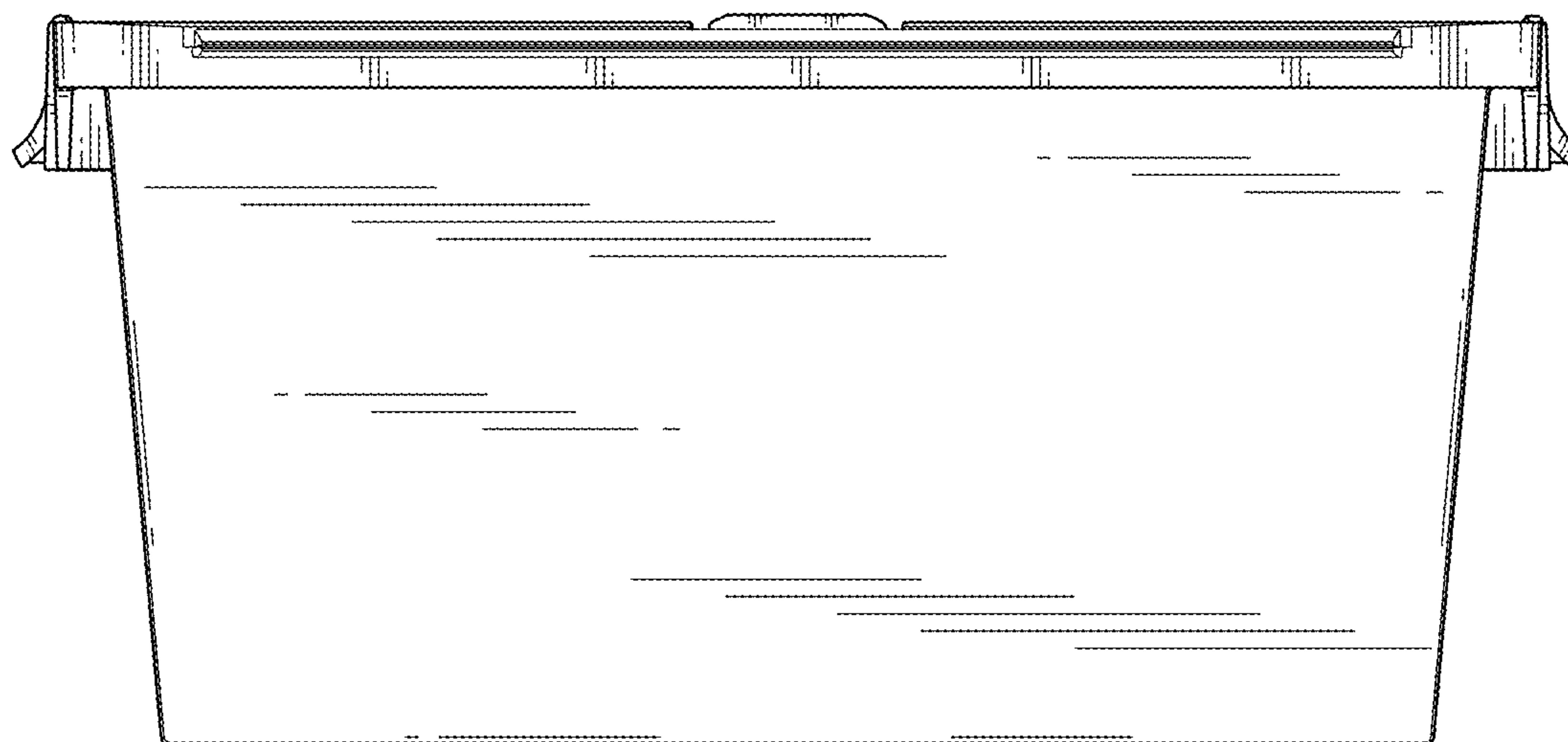


FIG. 12

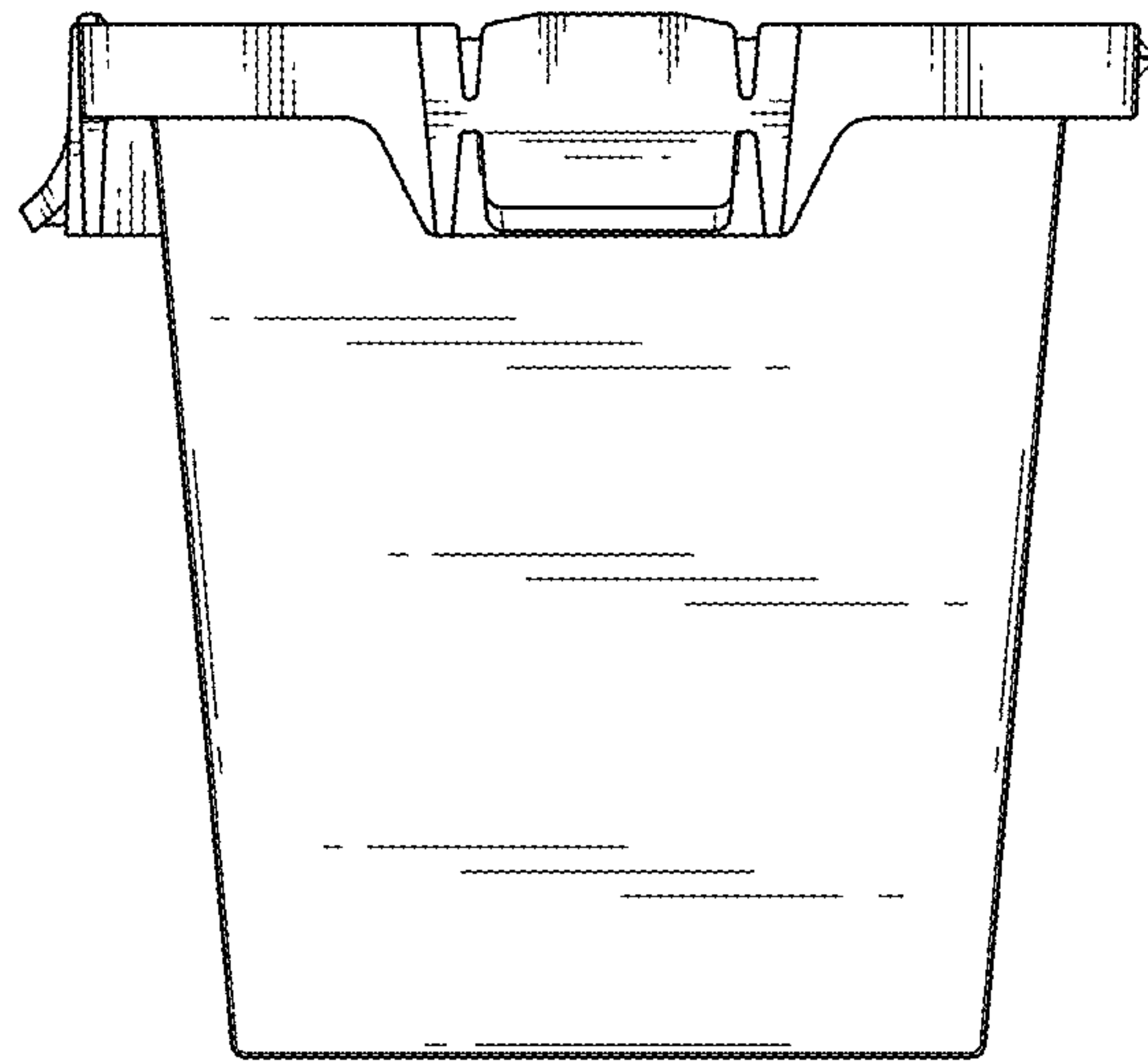


FIG. 13

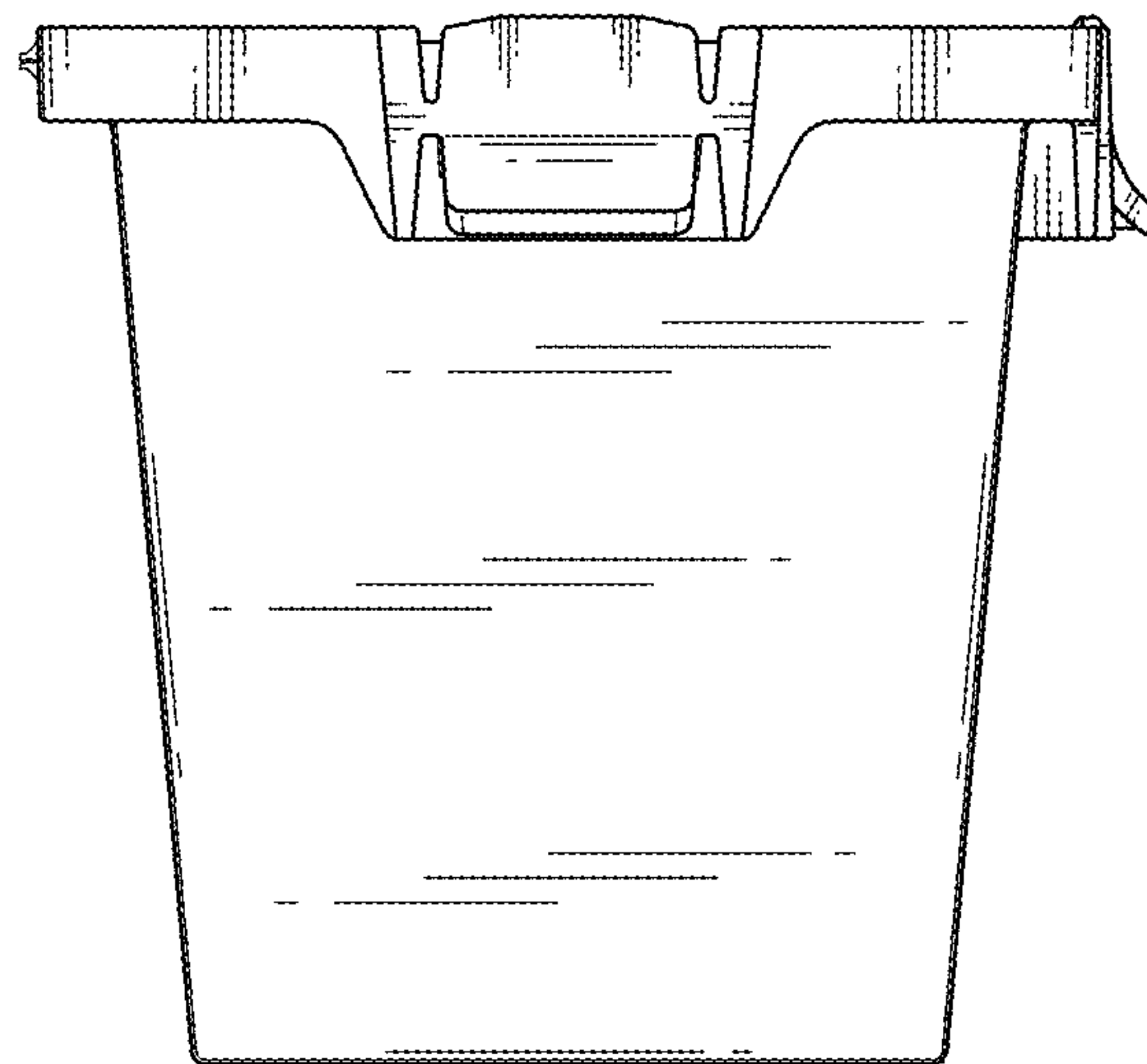


FIG. 14

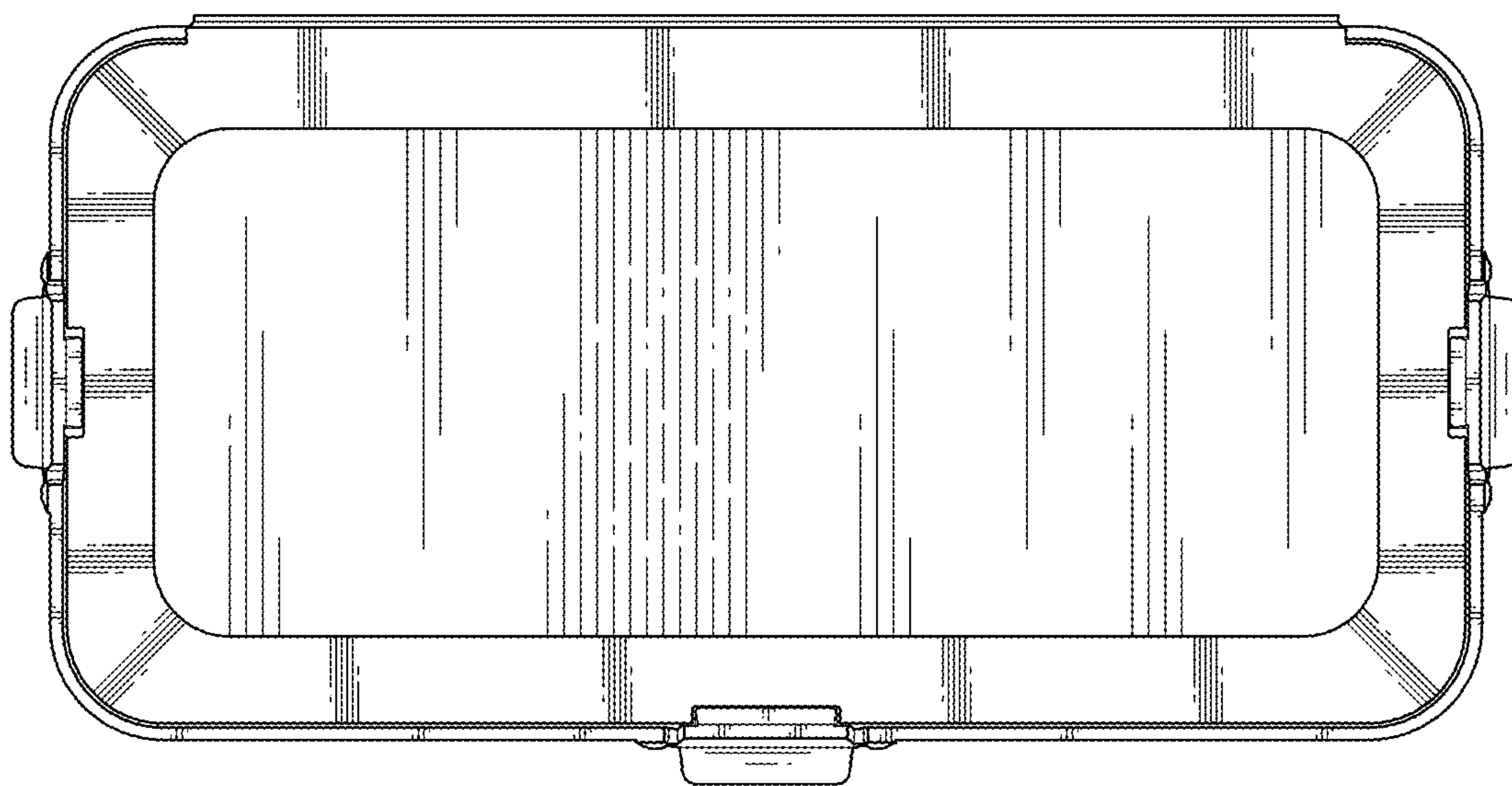


FIG. 15

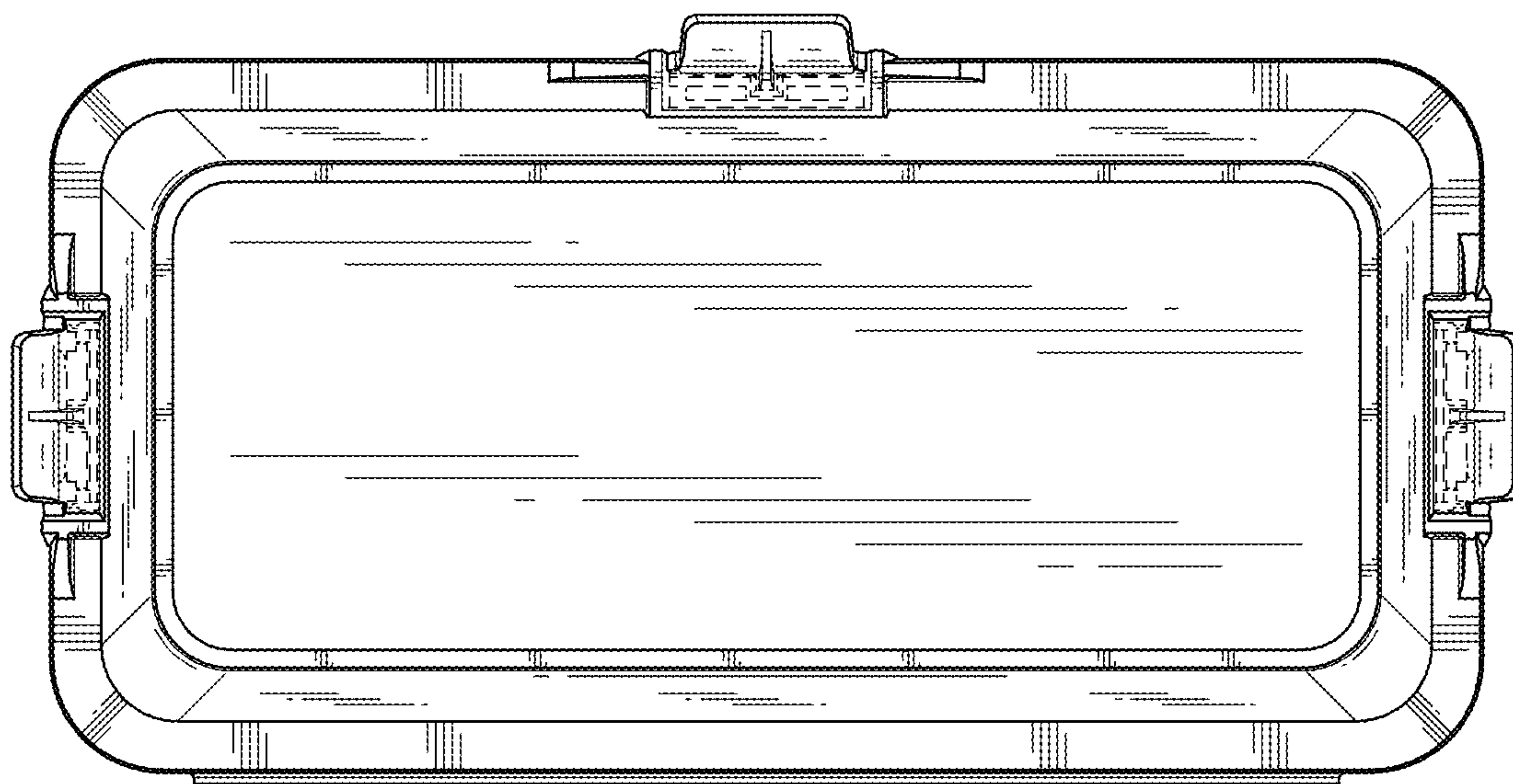


FIG. 16