



US00D898358S

(12) **United States Design Patent** (10) **Patent No.:** **US D898,358 S**
Chagnon et al. (45) **Date of Patent:** **** Oct. 13, 2020**

(54) **CASE WITH AN EXTENDABLE HANDLE**

(71) Applicants: **José Chagnon**, Repentigny (CA);
Benjamin Coley, Repentigny (CA)

(72) Inventors: **José Chagnon**, Repentigny (CA);
Benjamin Coley, Repentigny (CA)

(73) Assignee: **Plasticase, Inc.**, Terrebonne (QC) (CA)

(**) Term: **15 Years**

(21) Appl. No.: **29/700,277**

(22) Filed: **Aug. 1, 2019**

(51) **LOC (12) Cl.** **03-01**

(52) **U.S. Cl.**
USPC **D3/279**

(58) **Field of Classification Search**
USPC D3/272, 273, 276, 279, 282, 294, 298,
D3/905, 262, 302, 315
CPC . B25H 3/02; B65D 1/24; B65D 25/06; B65D
25/20; A45C 5/14
See application file for complete search history.

(56) **References Cited**

U.S. PATENT DOCUMENTS

D467,426 S	*	12/2002	Hardigg	D3/276
D579,202 S	*	10/2008	Grenier	D3/294
D711,105 S	*	8/2014	Brunner	D3/281
D738,106 S	*	9/2015	Shitrit	D3/276
D781,772 S	*	3/2017	Sanz	D12/345
D799,822 S	*	10/2017	Kanda	D3/276
D810,433 S	*	2/2018	Ballou	D3/276
D819,331 S	*	6/2018	Ballou	D3/276
D833,743 S	*	11/2018	Tonelli	D3/279
D849,402 S	*	5/2019	Tonelli	D3/276
D854,826 S	*	7/2019	Tonelli	D3/279
D876,833 S	*	3/2020	Brunner	D3/279
D887,138 S	*	6/2020	Feng	D3/279

OTHER PUBLICATIONS

Hard Cases, "Nanuk 955 Review Video—Large Protective Case for Storage", Posted Oct. 16, 2019. (<https://www.hardcases.ca/blogs/>)

news/nanuk-955-review-video-large-protective-case-for-storage) (Year: 2019).*

Amazon, "OneTigris Hard Gun Case Watertight Protective Case . . .", First reviewed Nov. 2, 2019. (<https://www.amazon.com/OneTigris-Watertight-Protective-Customizable-Pistol/dp/B07Z8Y2RTD>) (Year: 2019).*

* cited by examiner

Primary Examiner — April Rivas

(74) *Attorney, Agent, or Firm* — Donald S. Showalter;
GrayRobinson, P.A.

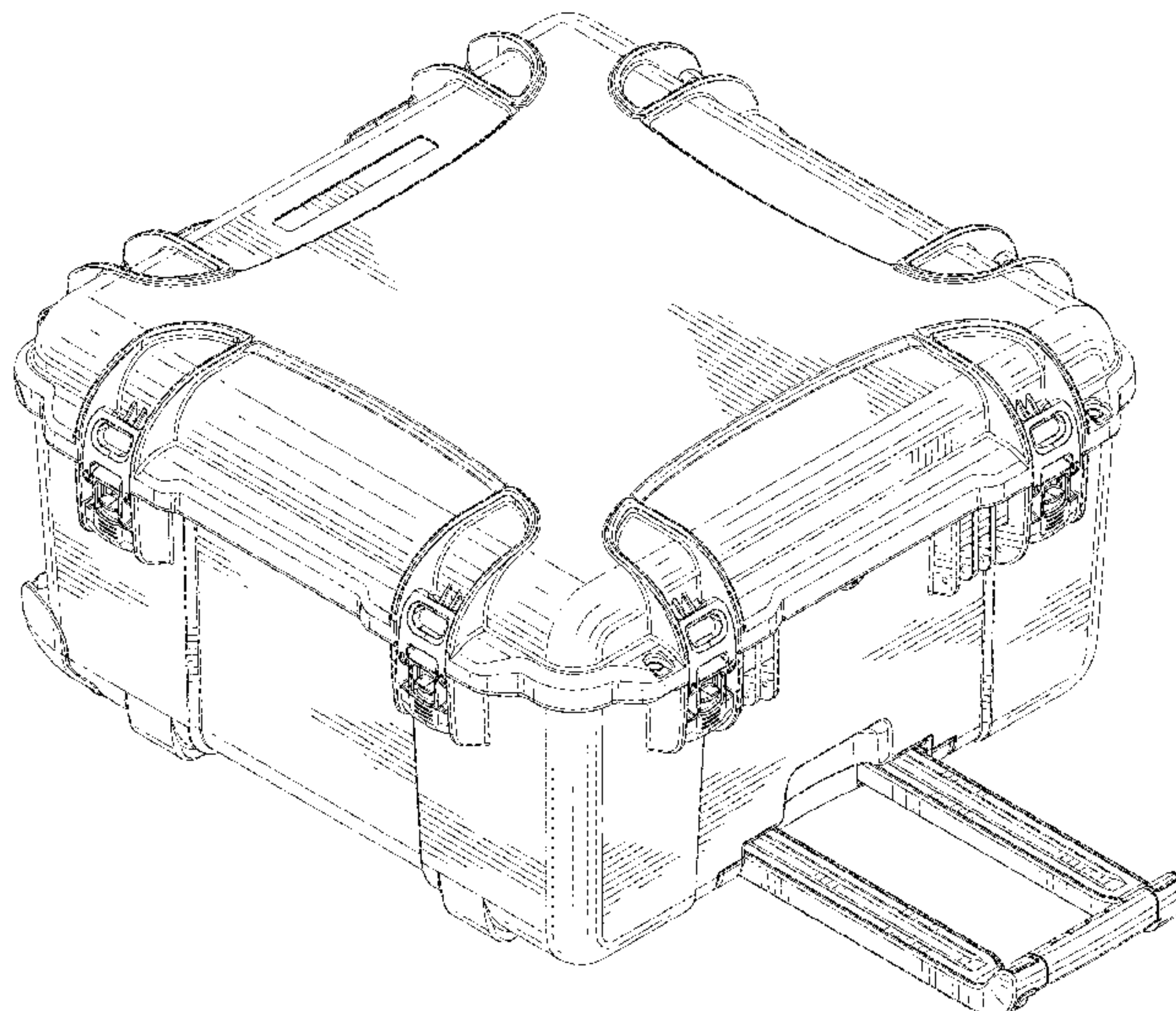
(57) **CLAIM**

The ornamental design of a case with an extendable handle, as shown and described.

DESCRIPTION

FIG. 1 is a front perspective view of our ornamental design of a case with an extendable handle with its handle in an extended position;
FIG. 2 is a bottom perspective view thereof;
FIG. 3 is a rear view thereof;
FIG. 4 is a front view thereof;
FIG. 5 is a right side view thereof;
FIG. 6 is a left side view thereof;
FIG. 7 is a top plan view thereof;
FIG. 8 is a bottom plan thereof;
FIG. 9 is a front perspective view of our ornamental design of the case with an extendable handle illustrated in FIG. 1 with its handle in a retracted position;
FIG. 10 is a bottom perspective view thereof;
FIG. 11 is a rear view thereof;
FIG. 12 is a front view thereof;
FIG. 13 is a right side view thereof;
FIG. 14 is a left side view thereof;
FIG. 15 is a top plan view thereof; and,
FIG. 16 is a bottom plan view thereof.

1 Claim, 16 Drawing Sheets



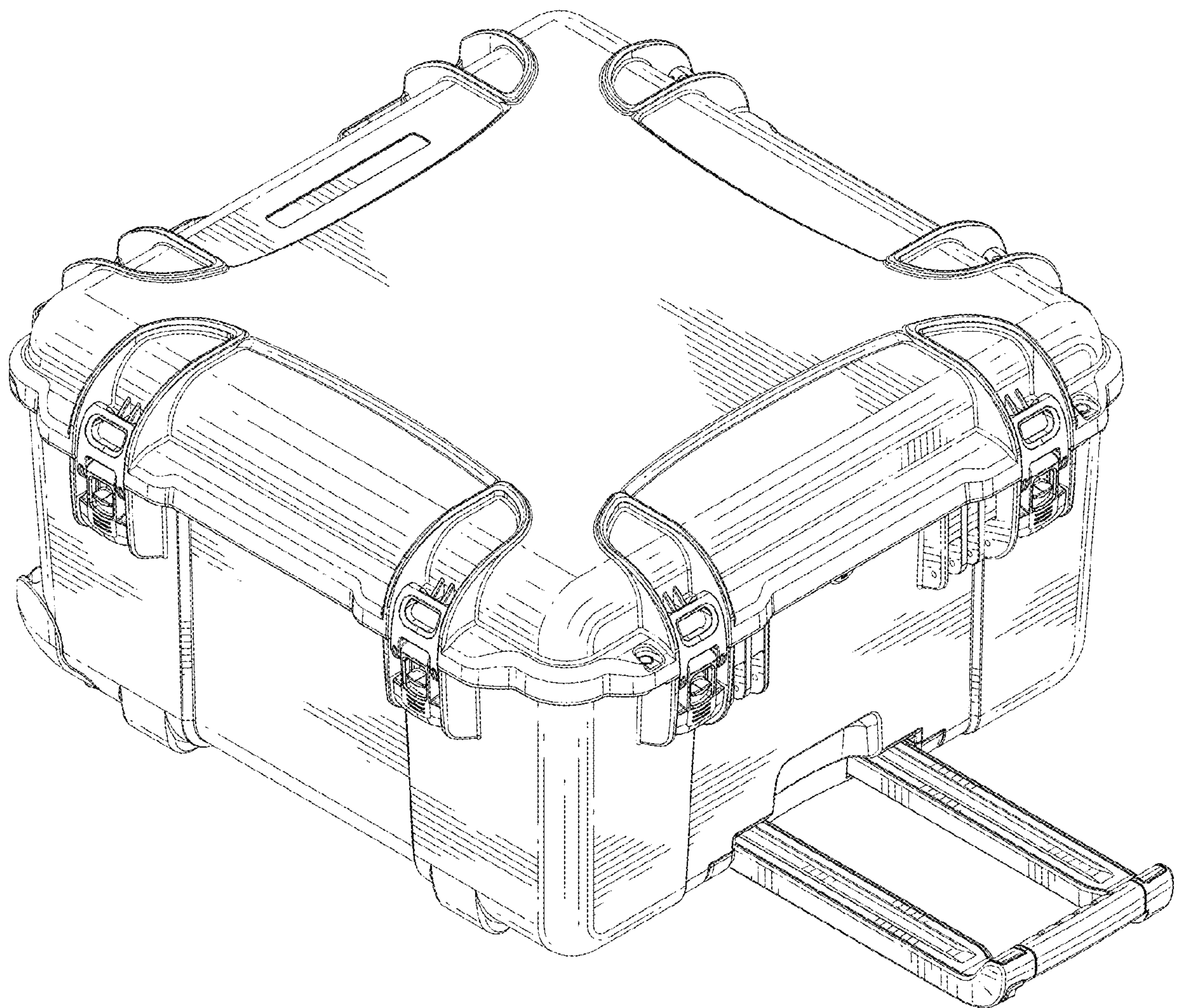


FIG. 1

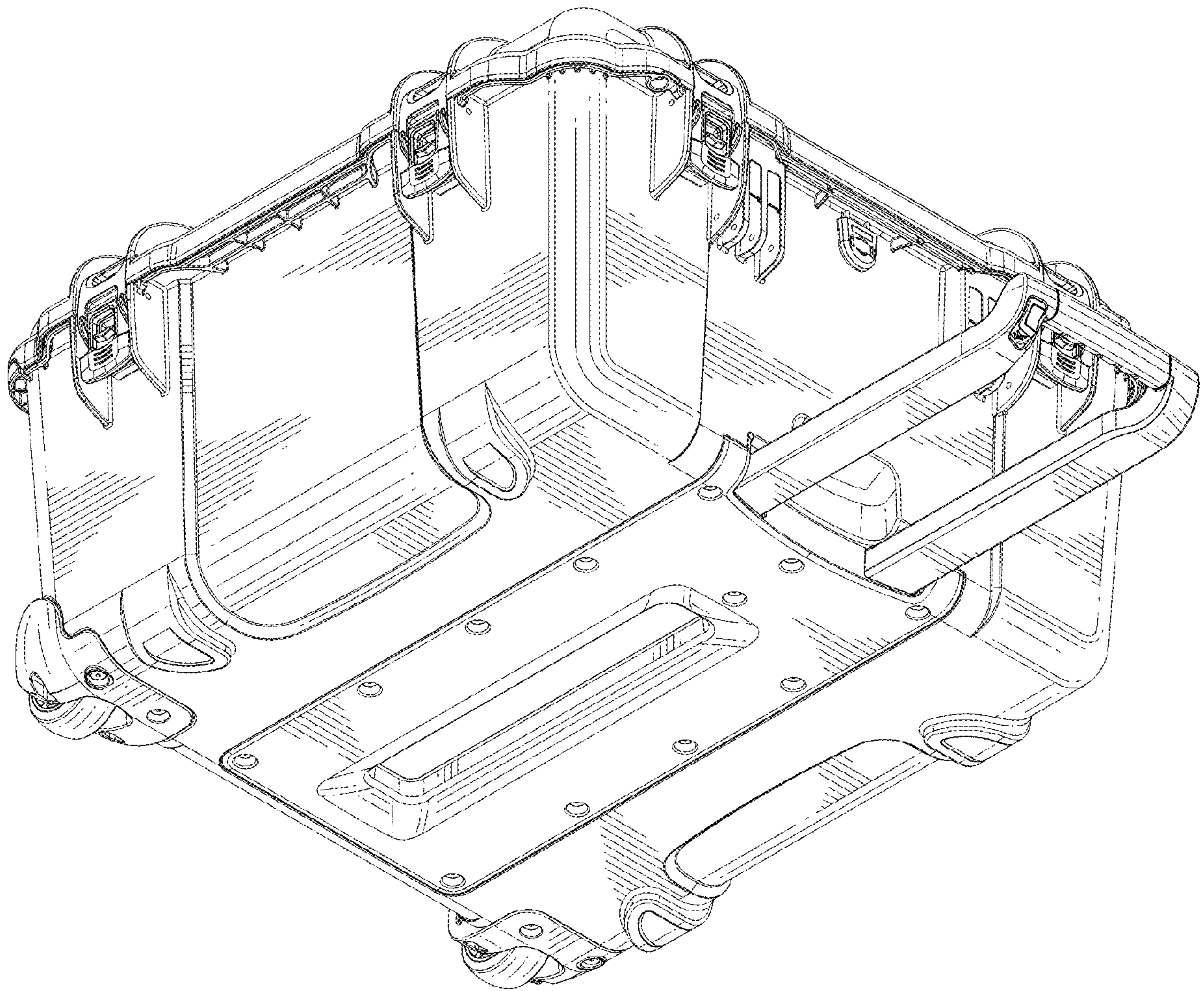


FIG. 2

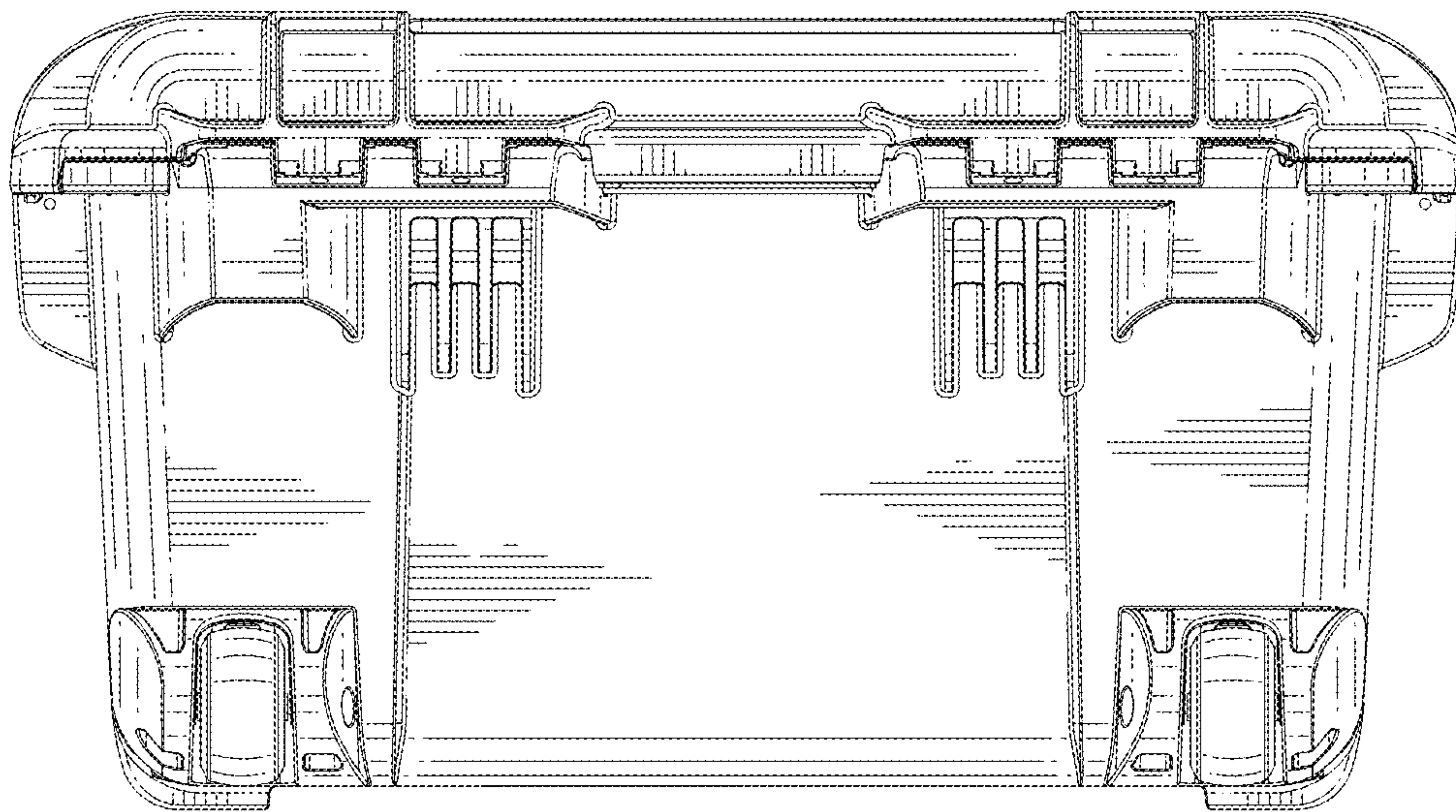


FIG. 3

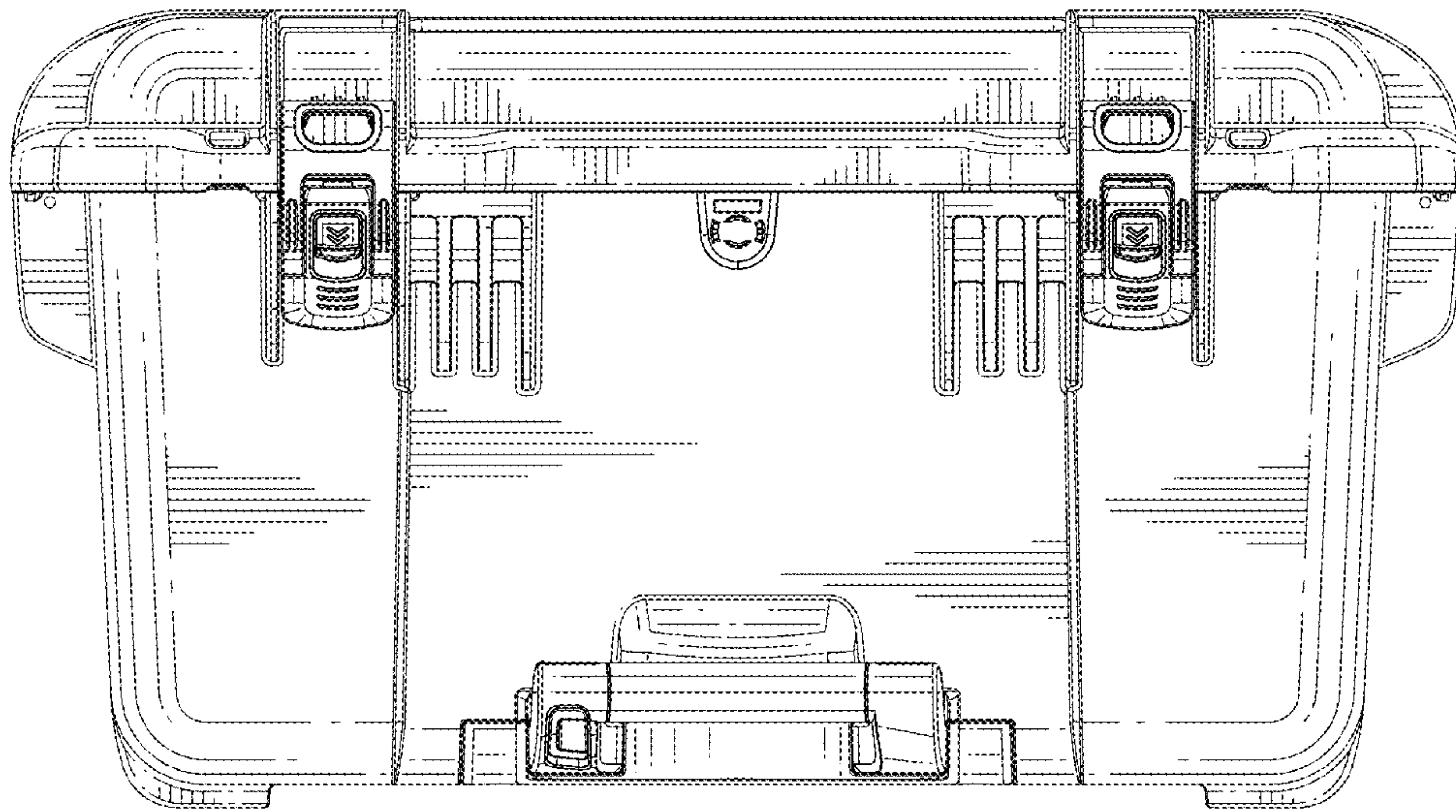


FIG.4

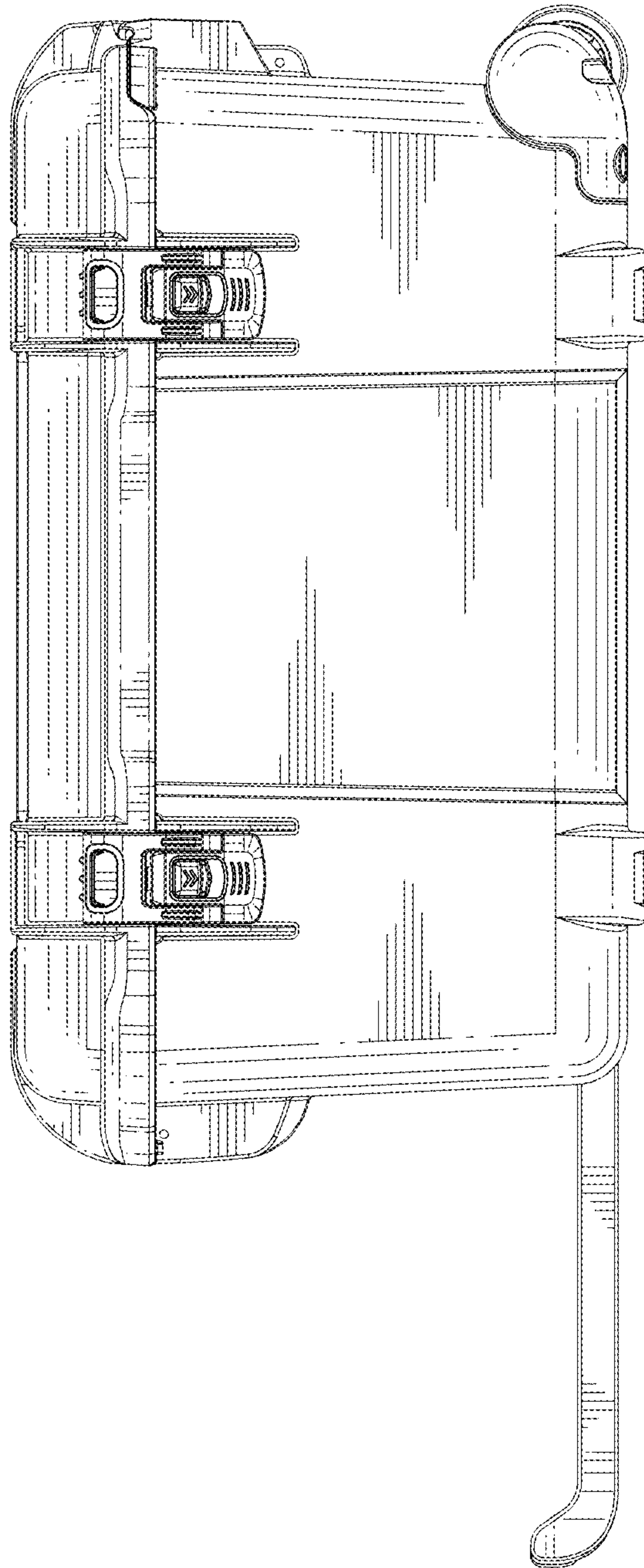


FIG. 5

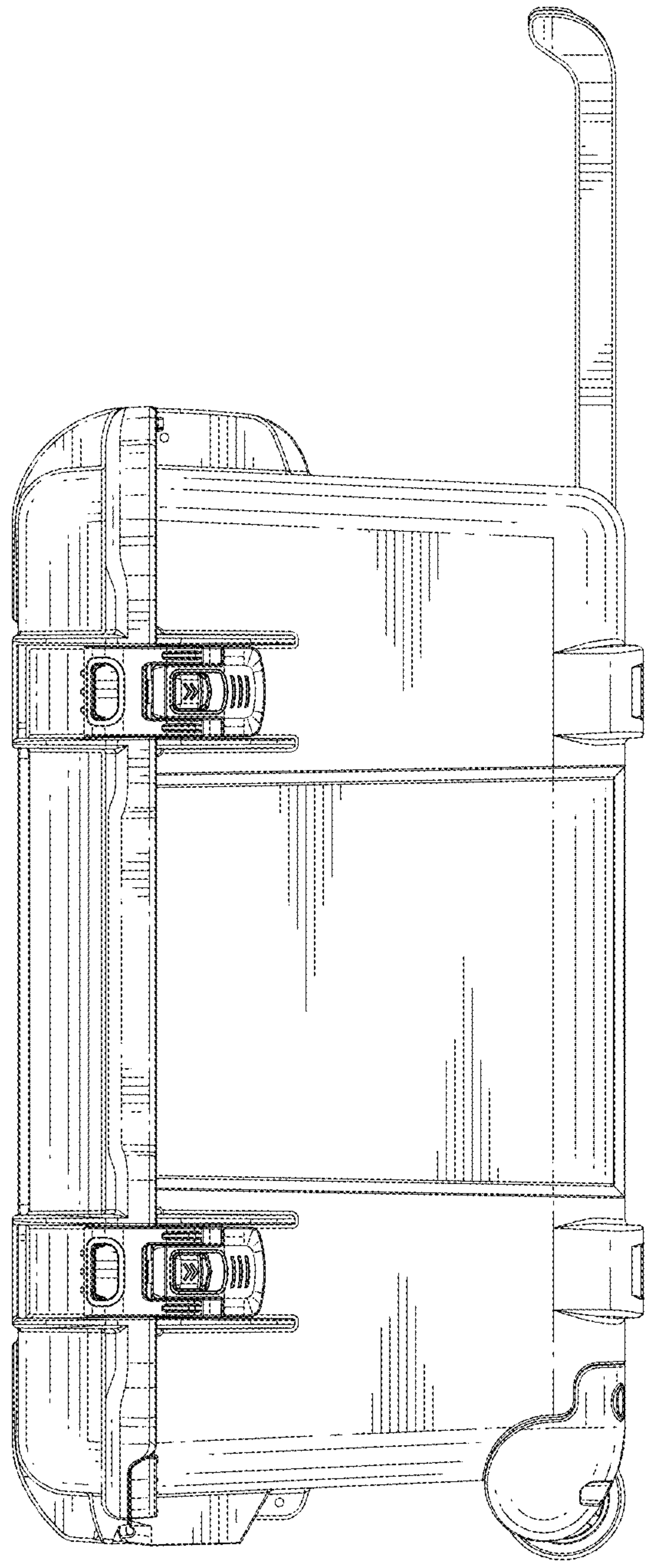


FIG. 6

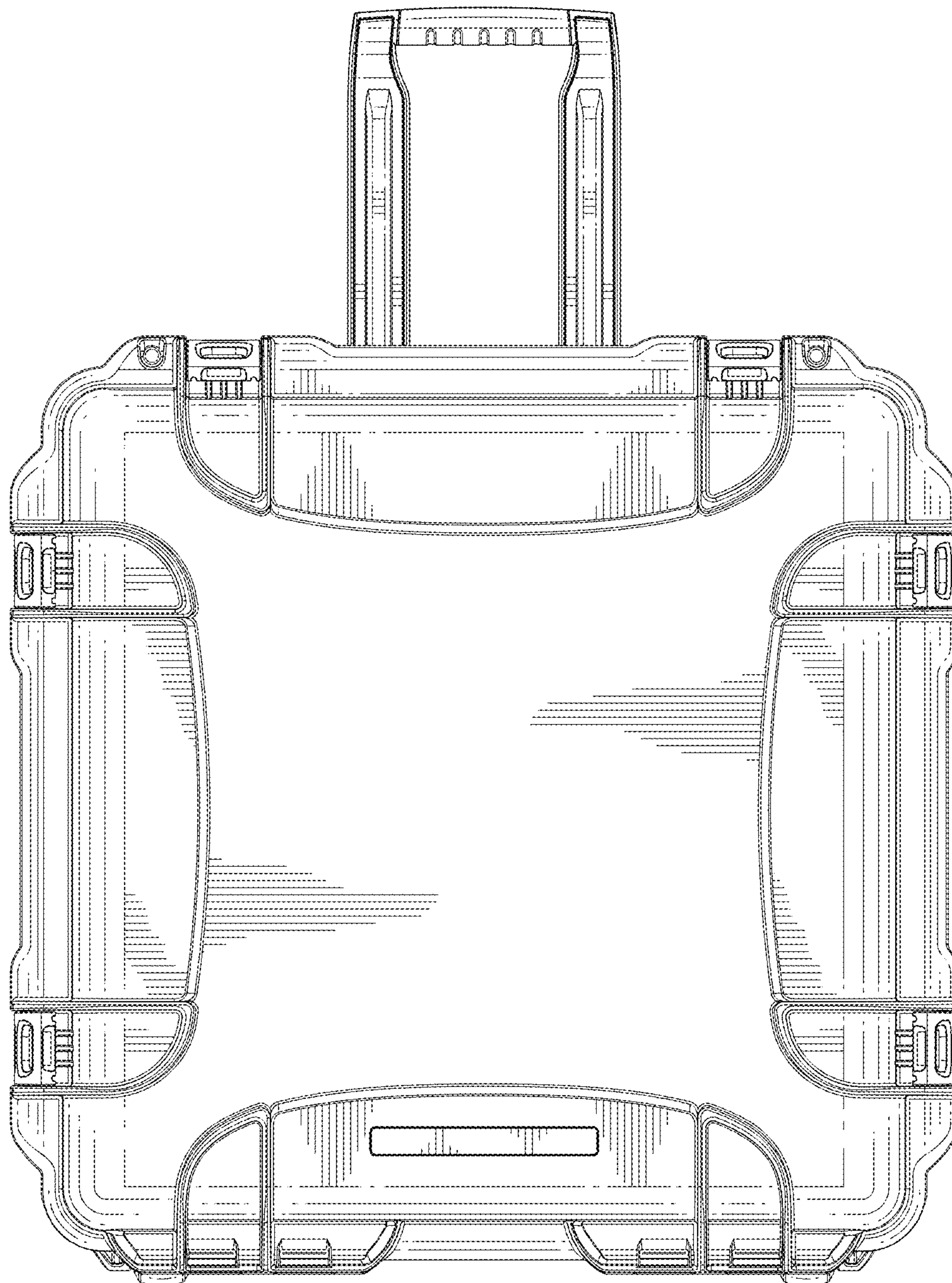


FIG. 7

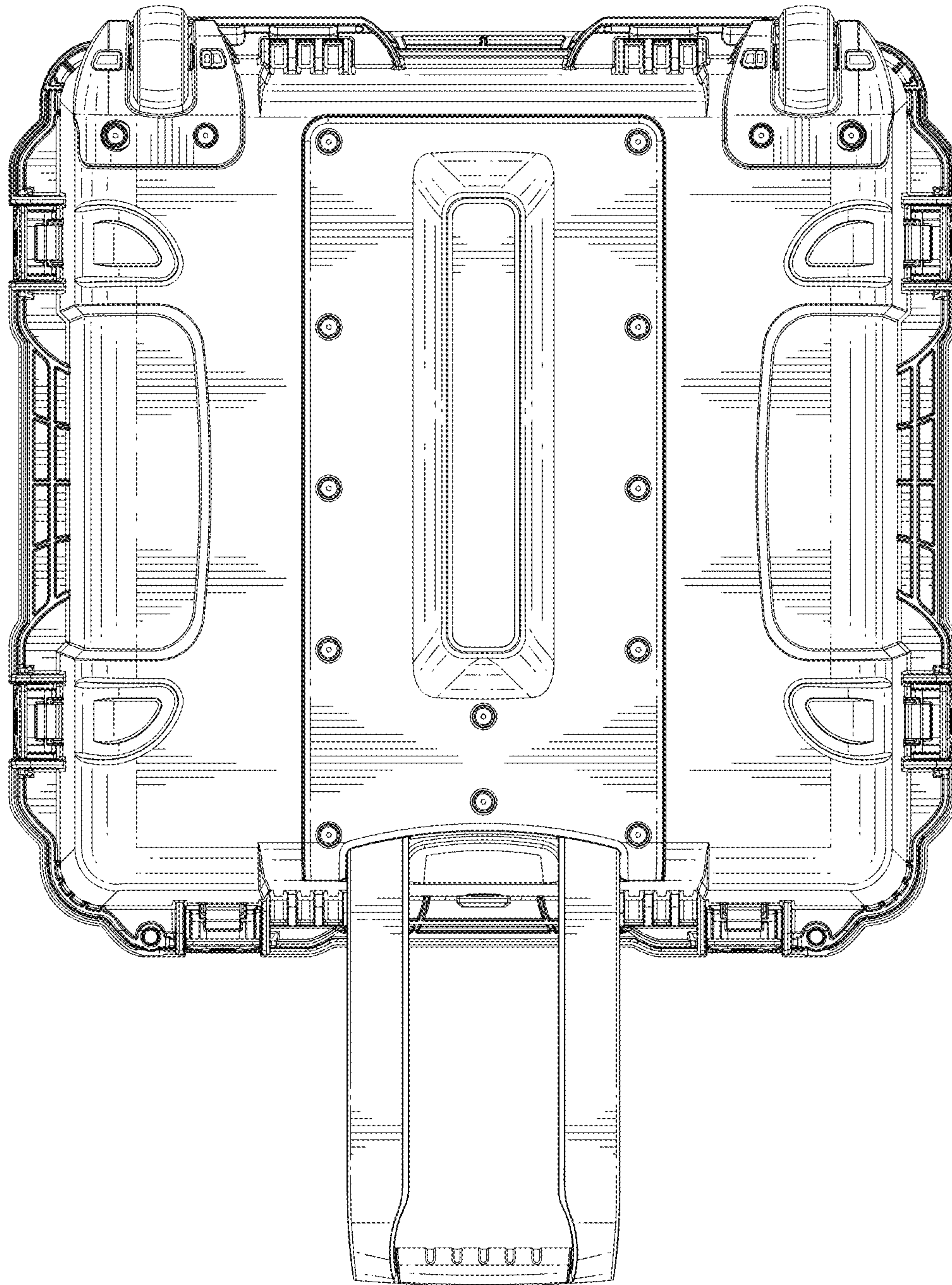


FIG. 8

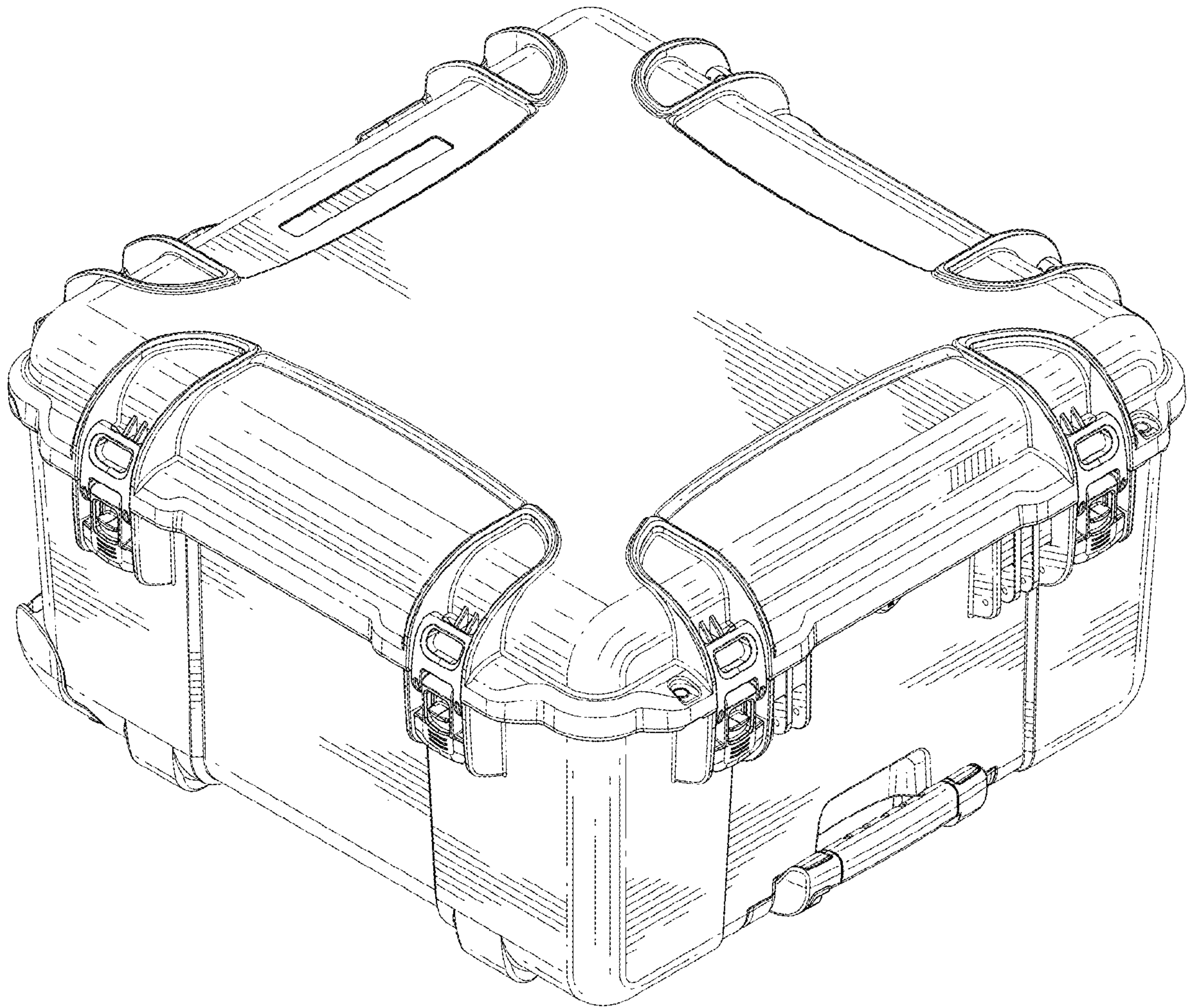


FIG. 9

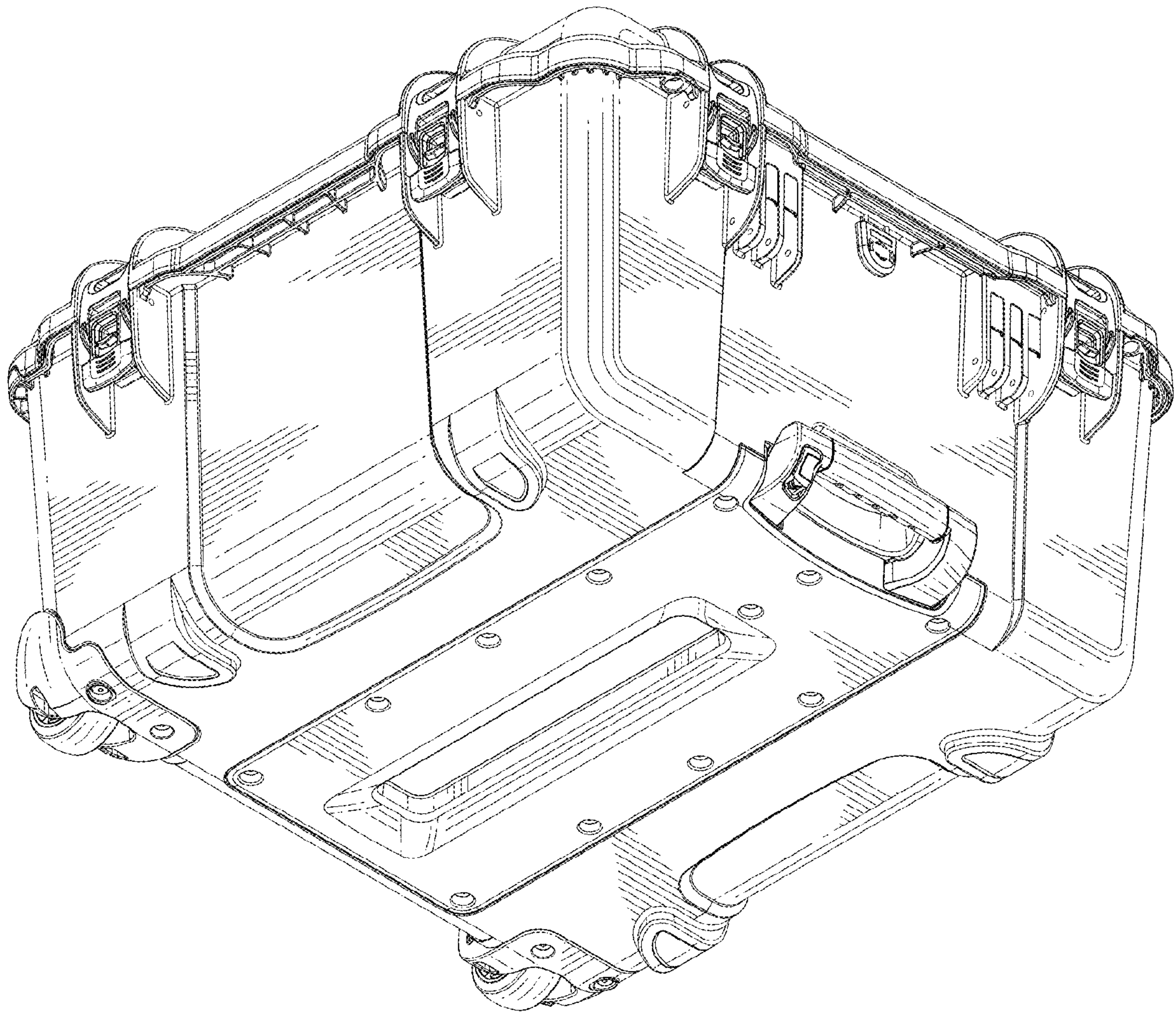


FIG. 10

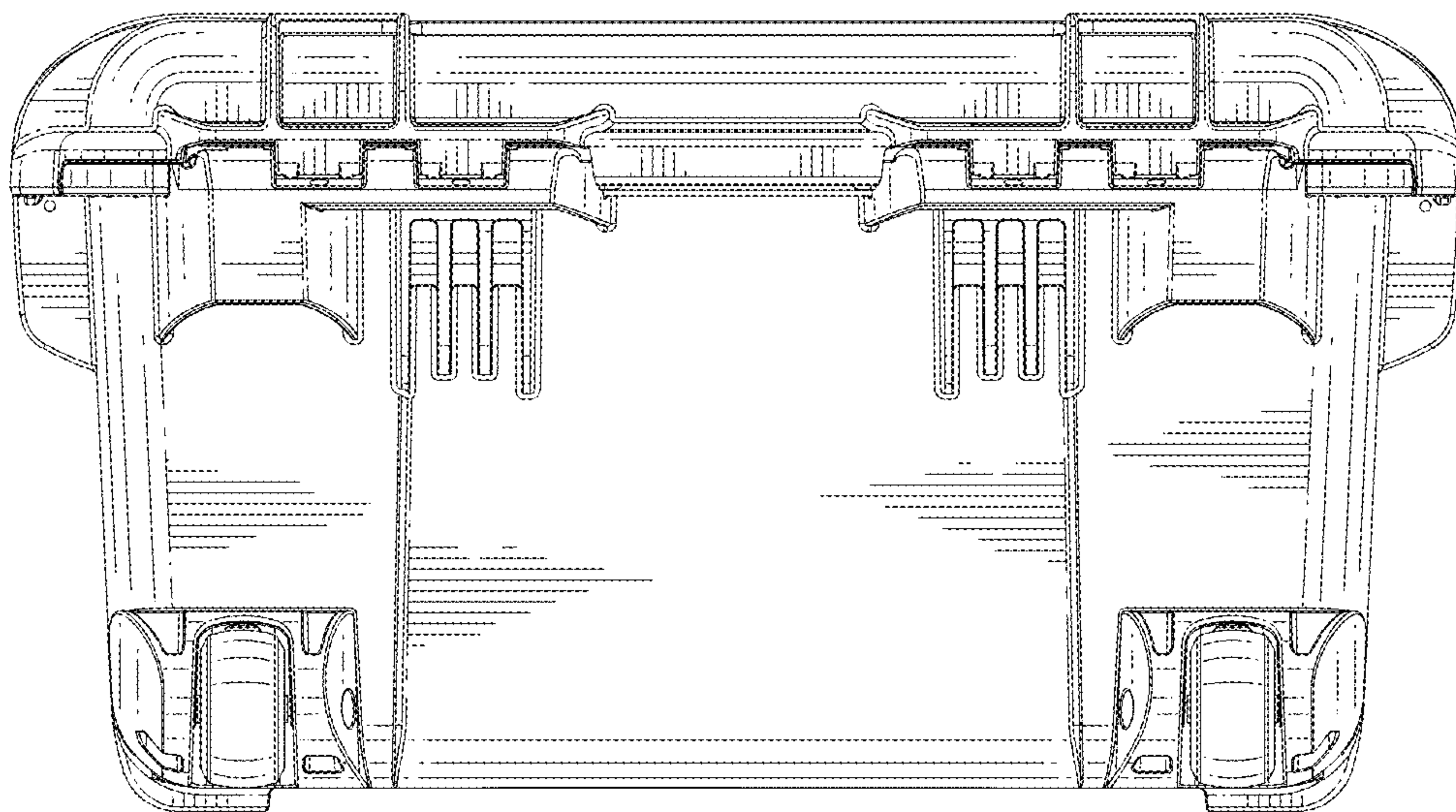


FIG. 11

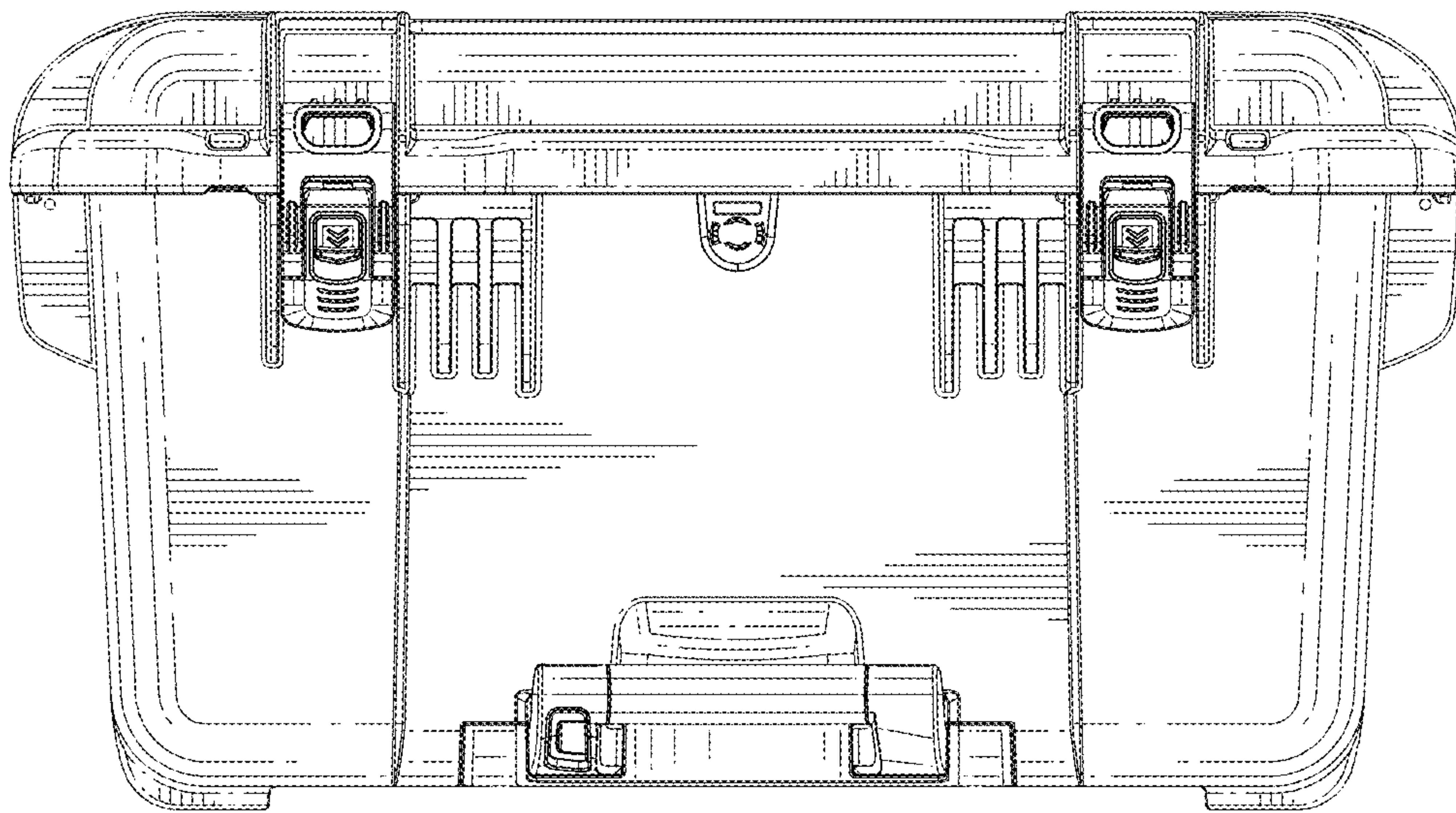


FIG. 12

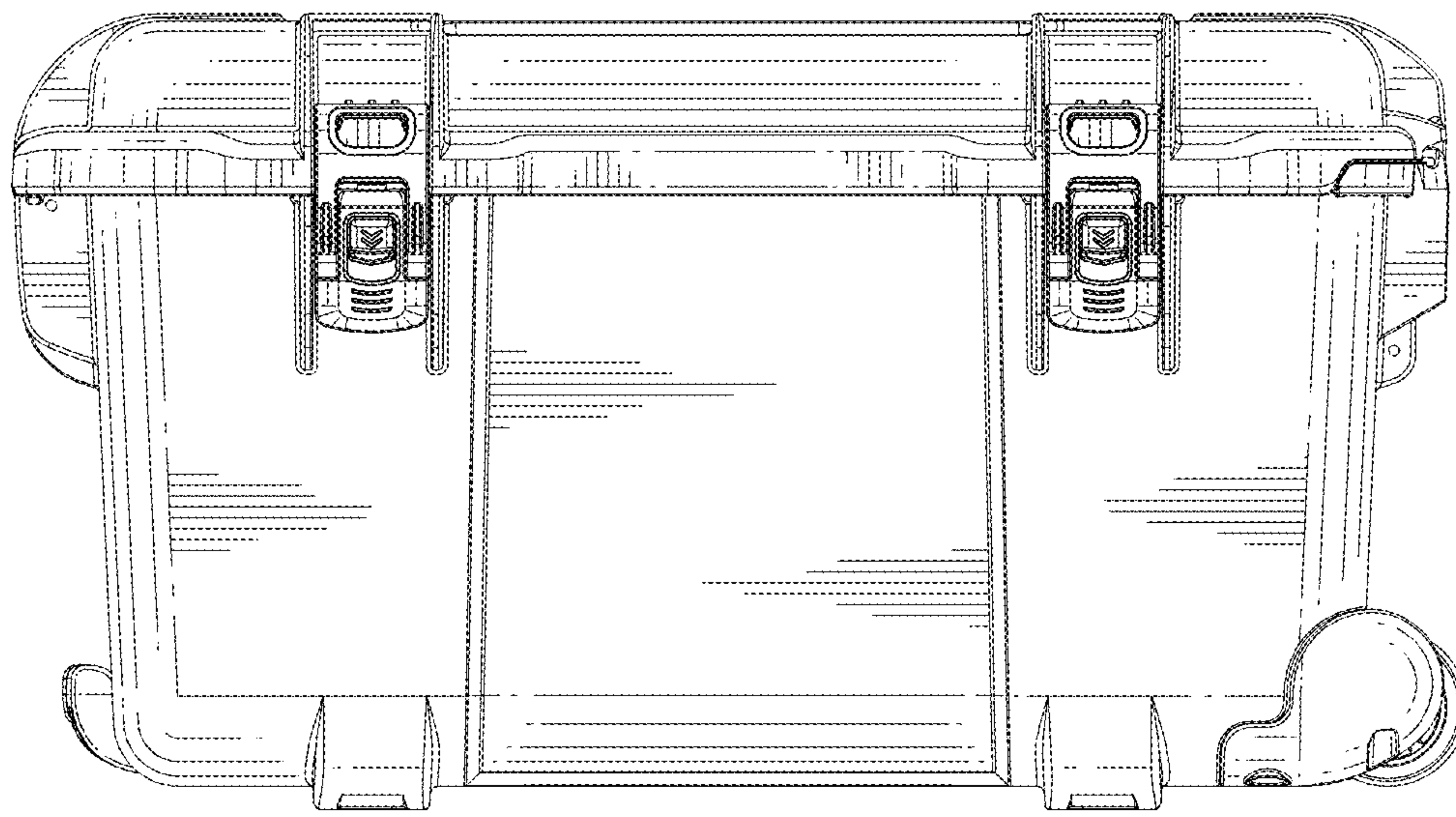


FIG. 13

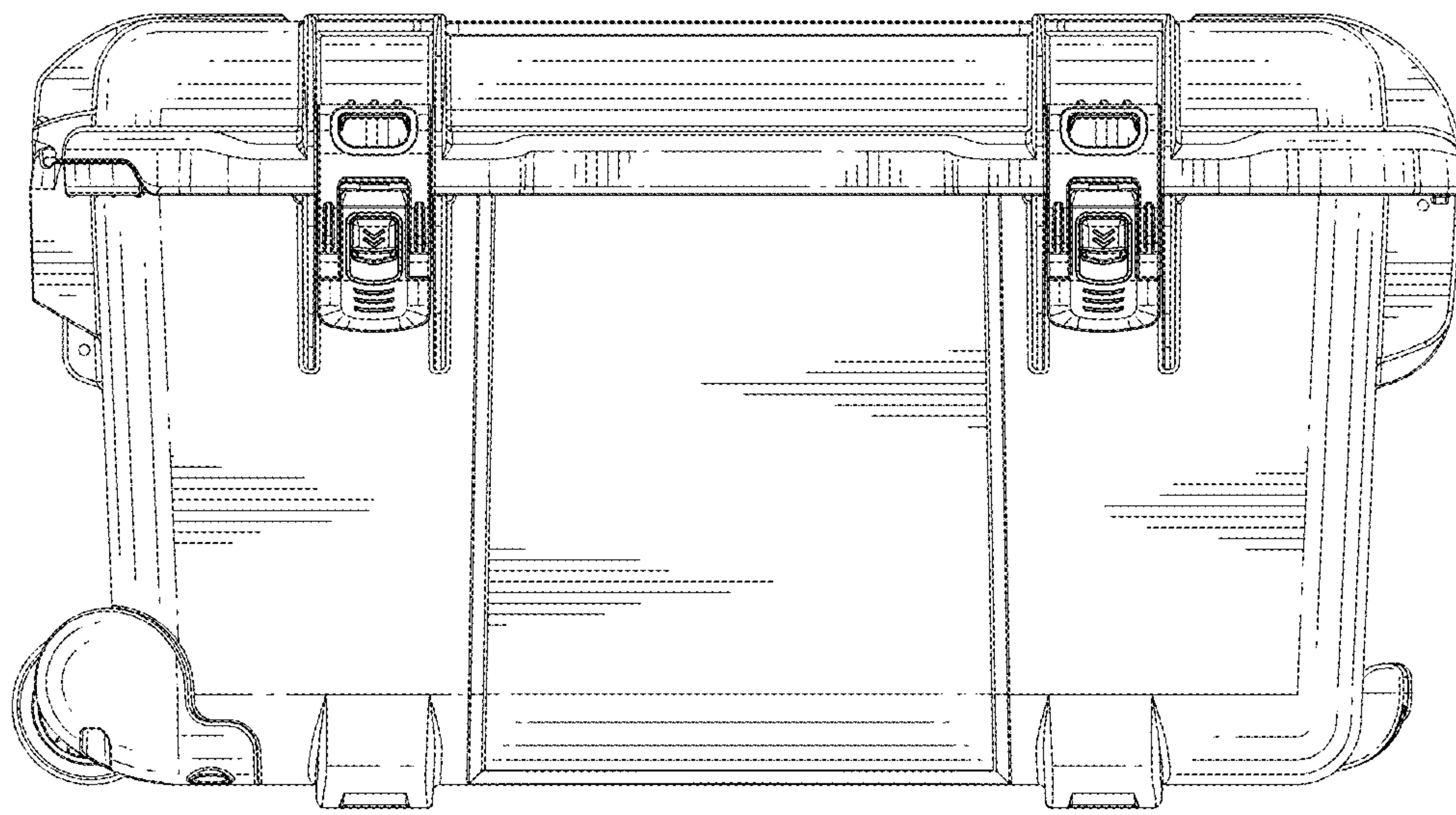


FIG. 14

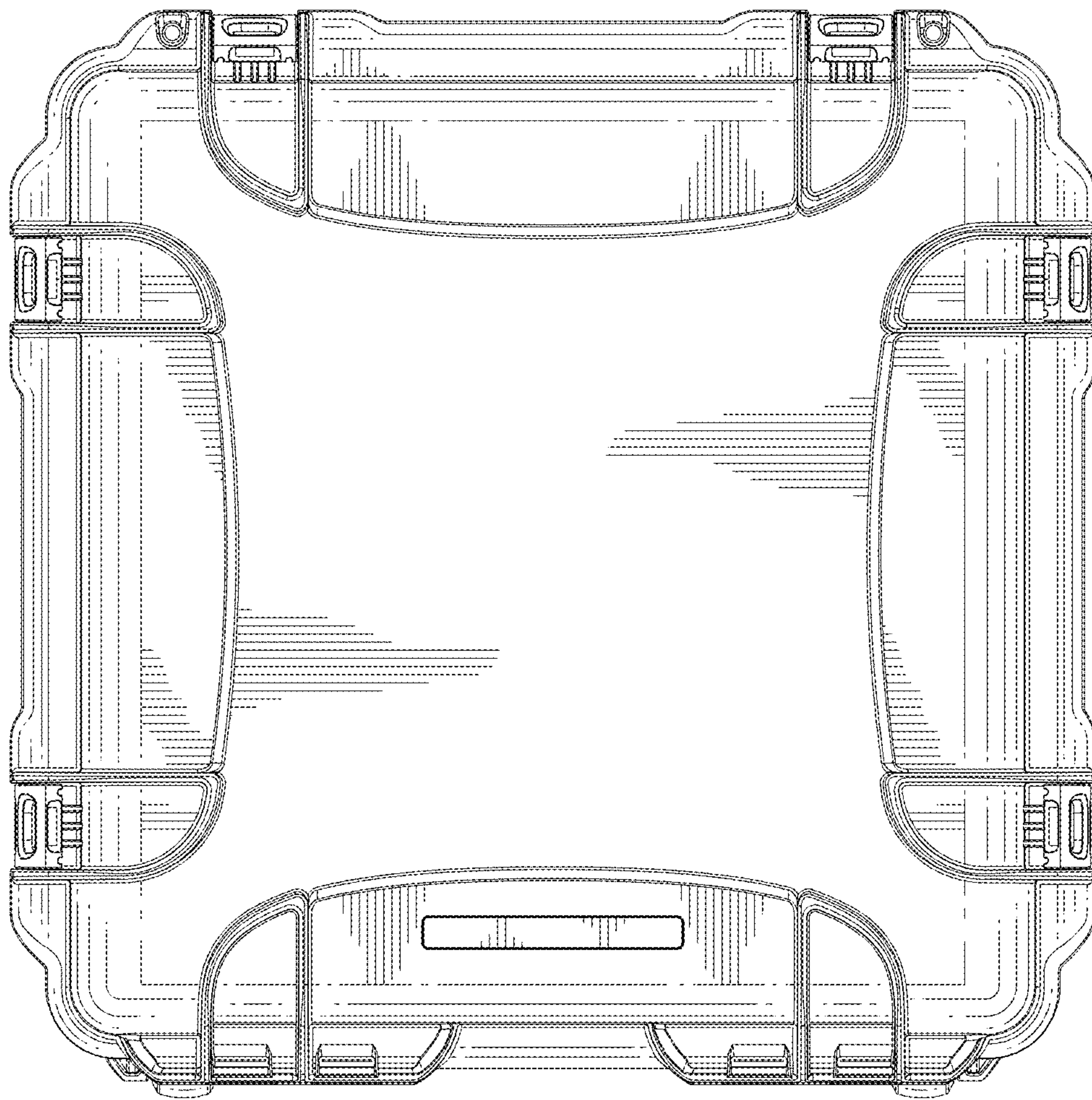


FIG. 15

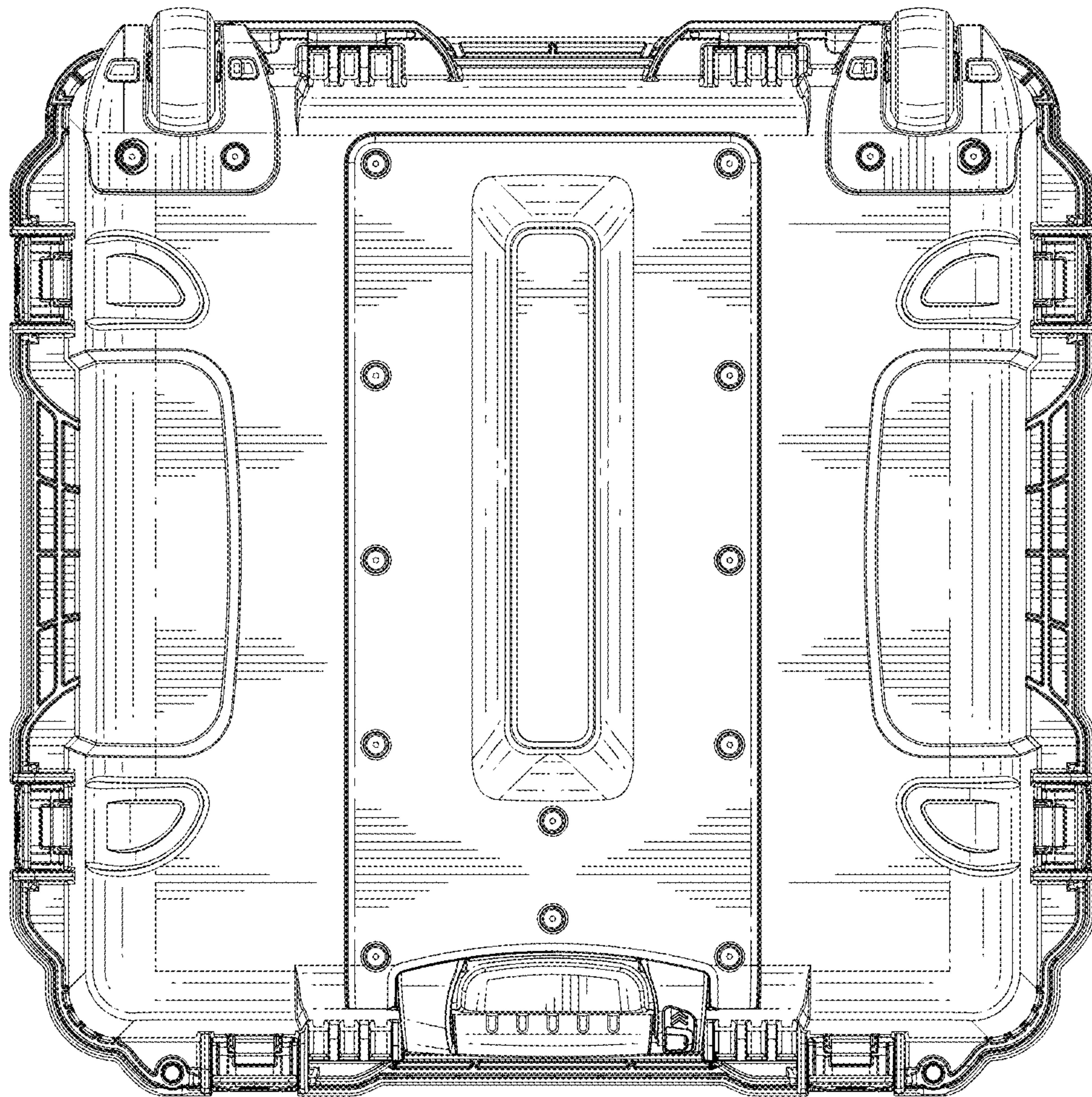


FIG. 16