



US00D898357S

(12) **United States Design Patent** (10) **Patent No.:** **US D898,357 S**
Chagnon et al. (45) **Date of Patent:** **** Oct. 13, 2020**

(54) **CASE WITH AN EXTENDABLE HANDLE**

OTHER PUBLICATIONS

(71) Applicants: **José Chagnon**, Repentigny (CA);
Benjamin Coley, Repentigny (CA)

Nanuk, "Nanuk 965", First reviewed Jan. 4, 2020. (<https://nanuk.com/products/nanuk-965>) (Year: 2020).*

(72) Inventors: **José Chagnon**, Repentigny (CA);
Benjamin Coley, Repentigny (CA)

* cited by examiner

(73) Assignee: **Plasticase, Inc.**, Terrebonne (QC) (CA)

Primary Examiner — April Rivas

(74) *Attorney, Agent, or Firm* — Donald S. Showalter;
GrayRobinson, P.A.

(**) Term: **15 Years**

(21) Appl. No.: **29/700,274**

(57) **CLAIM**

The ornamental design of a case with an extendable handle, as shown and described.

(22) Filed: **Aug. 1, 2019**

(51) **LOC (12) Cl.** **03-01**

(52) **U.S. Cl.**
USPC **D3/279**

DESCRIPTION

(58) **Field of Classification Search**
USPC D3/272, 273, 276, 279, 282, 294, 298,
D3/905, 262, 302, 315
CPC . B25H 3/02; B65D 1/24; B65D 25/06; B65D
25/20; A45C 5/14
See application file for complete search history.

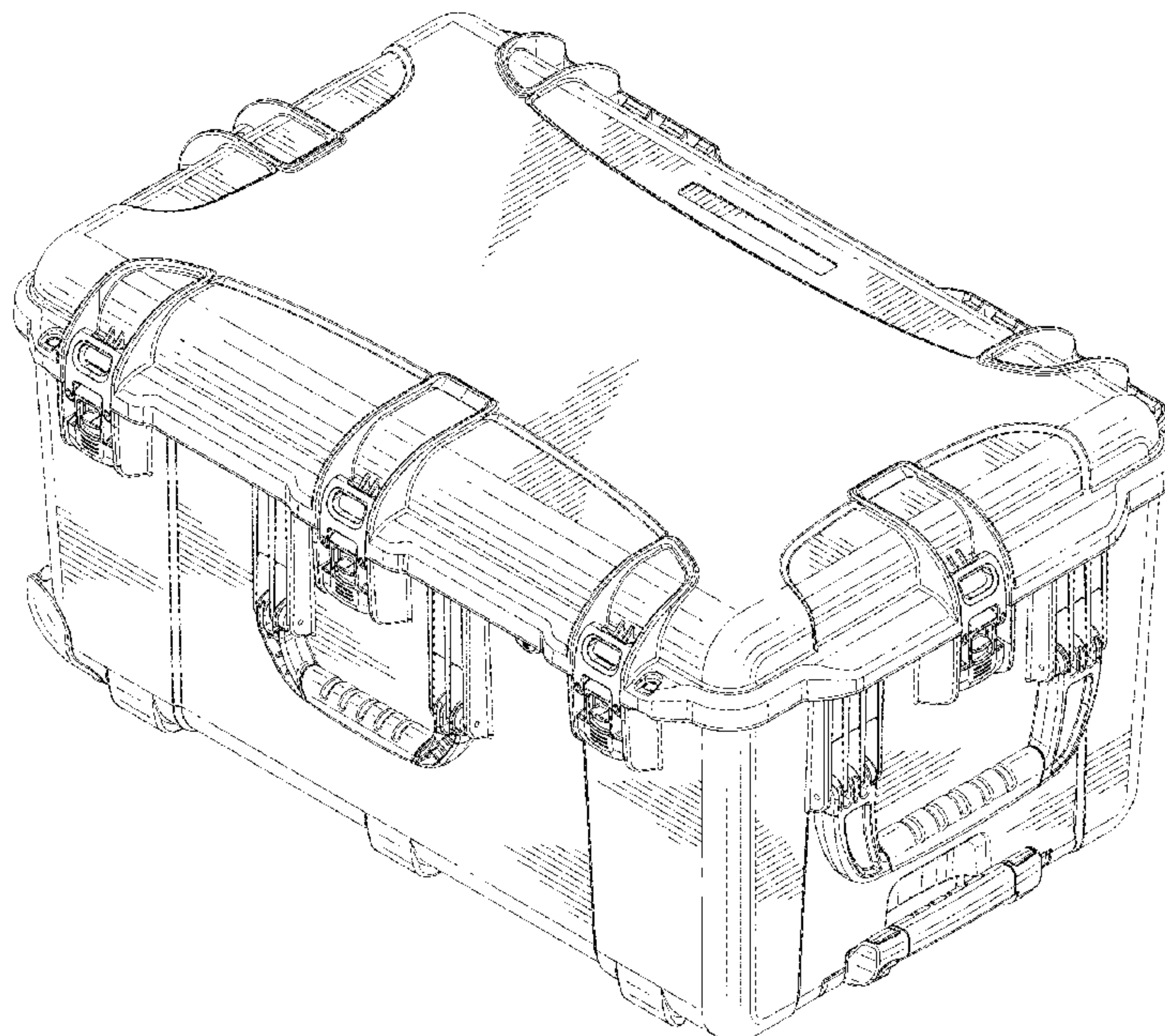
FIG. 1 is a front perspective view of our ornamental design of a case with an extendable handle;
FIG. 2 is a bottom perspective view thereof;
FIG. 3 is a rear view thereof;
FIG. 4 is a front view thereof;
FIG. 5 is a right side view thereof;
FIG. 6 is a left side view thereof;
FIG. 7 is a top plan view thereof;
FIG. 8 is a bottom plan thereof;
FIG. 9 is a front perspective view of our ornamental design of the case with an extendable handle illustrated in FIG. 1 with its handle in an extended position;
FIG. 10 is a bottom perspective view thereof;
FIG. 11 is a rear view thereof;
FIG. 12 is a front view thereof;
FIG. 13 is a right side view thereof;
FIG. 14 is a left side view thereof;
FIG. 15 is a top plan view thereof; and,
FIG. 16 is a bottom plan view thereof.

(56) **References Cited**

U.S. PATENT DOCUMENTS

D579,202	S	*	10/2008	Grenier	D3/294
8,297,464	B2	*	10/2012	Grenier	A45C 13/1084
						220/326
D738,106	S	*	9/2015	Shitrit	D3/276
D742,640	S	*	11/2015	Sabbag	D3/281
D810,433	S	*	2/2018	Ballou	D3/276
D815,831	S	*	4/2018	Tonelli	D3/279
D819,331	S	*	6/2018	Ballou	D3/276
D854,826	S	*	7/2019	Tonelli	D3/279
D873,007	S	*	1/2020	Tonelli	D3/279
D876,833	S	*	3/2020	Brunner	D3/279
D887,138	S	*	6/2020	Feng	D3/279

1 Claim, 16 Drawing Sheets



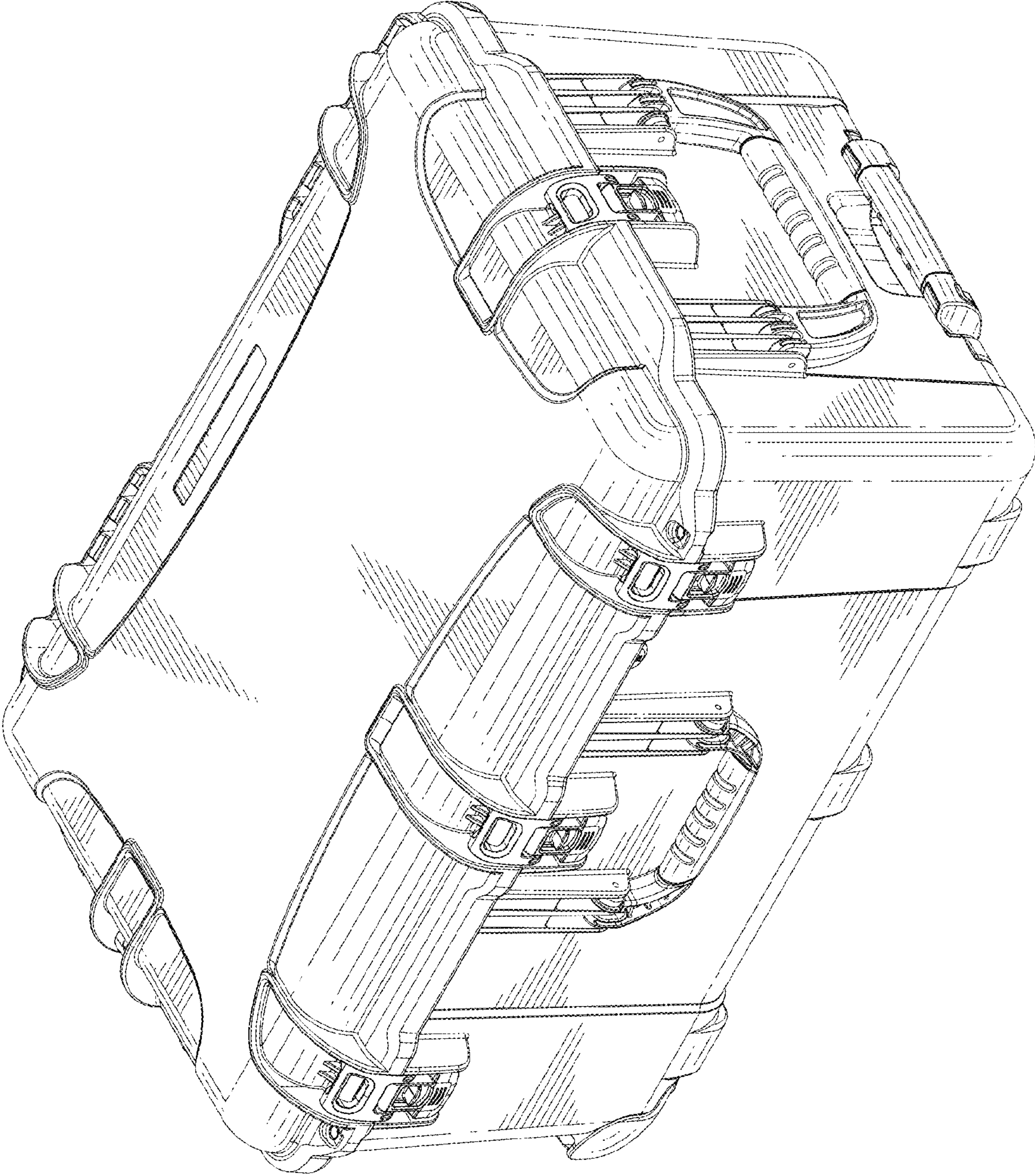


FIG.1

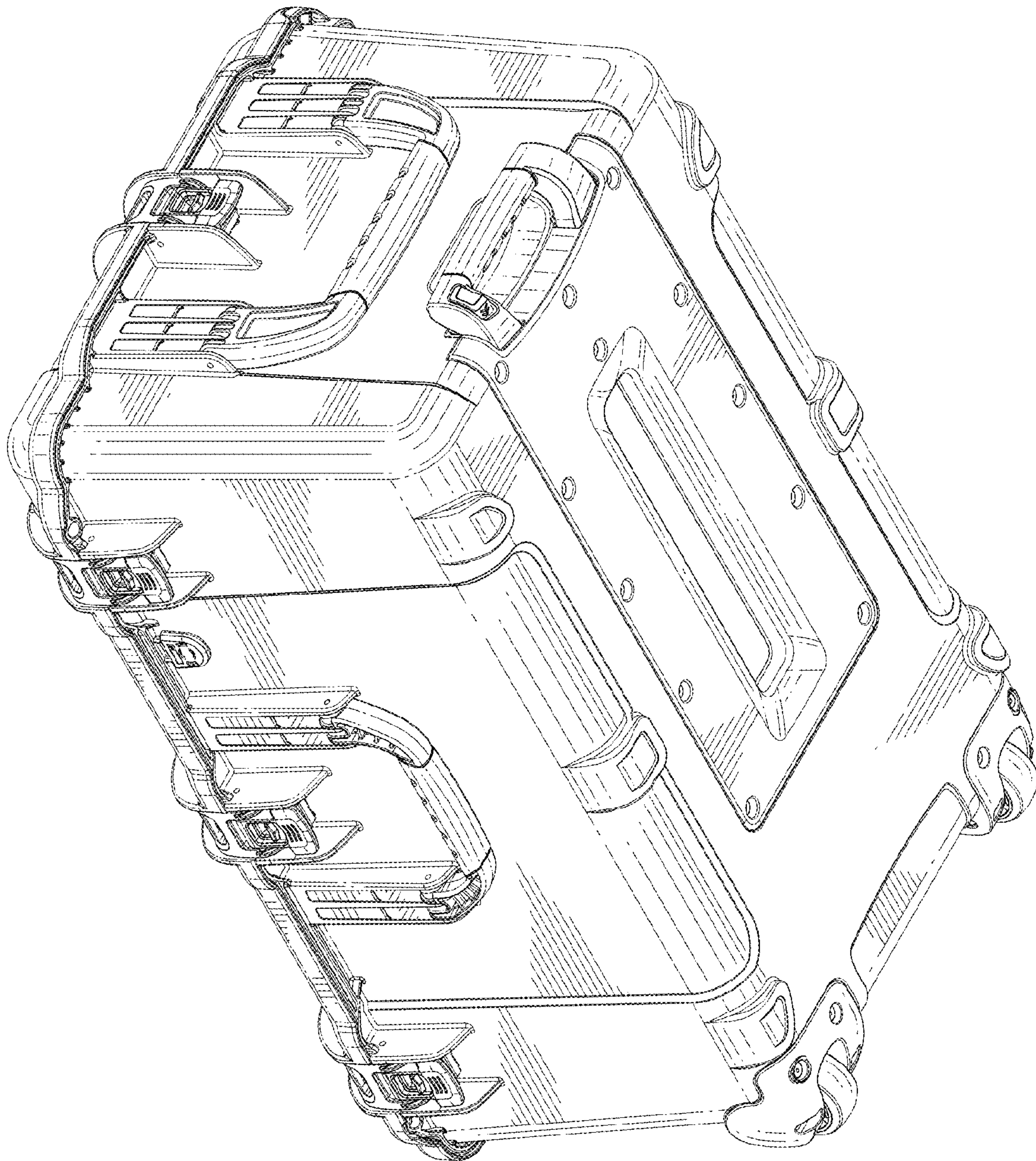


FIG. 2

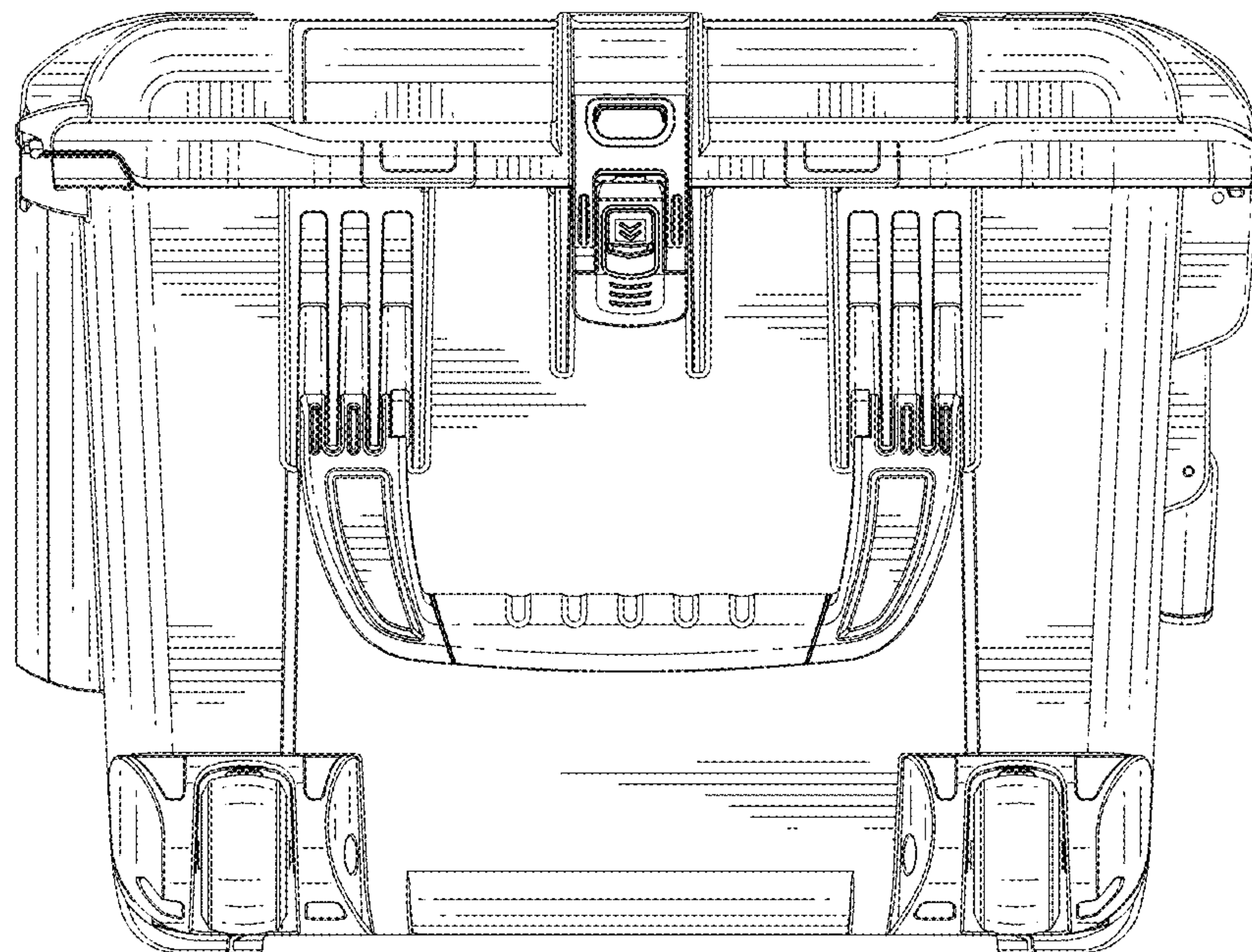


FIG. 3

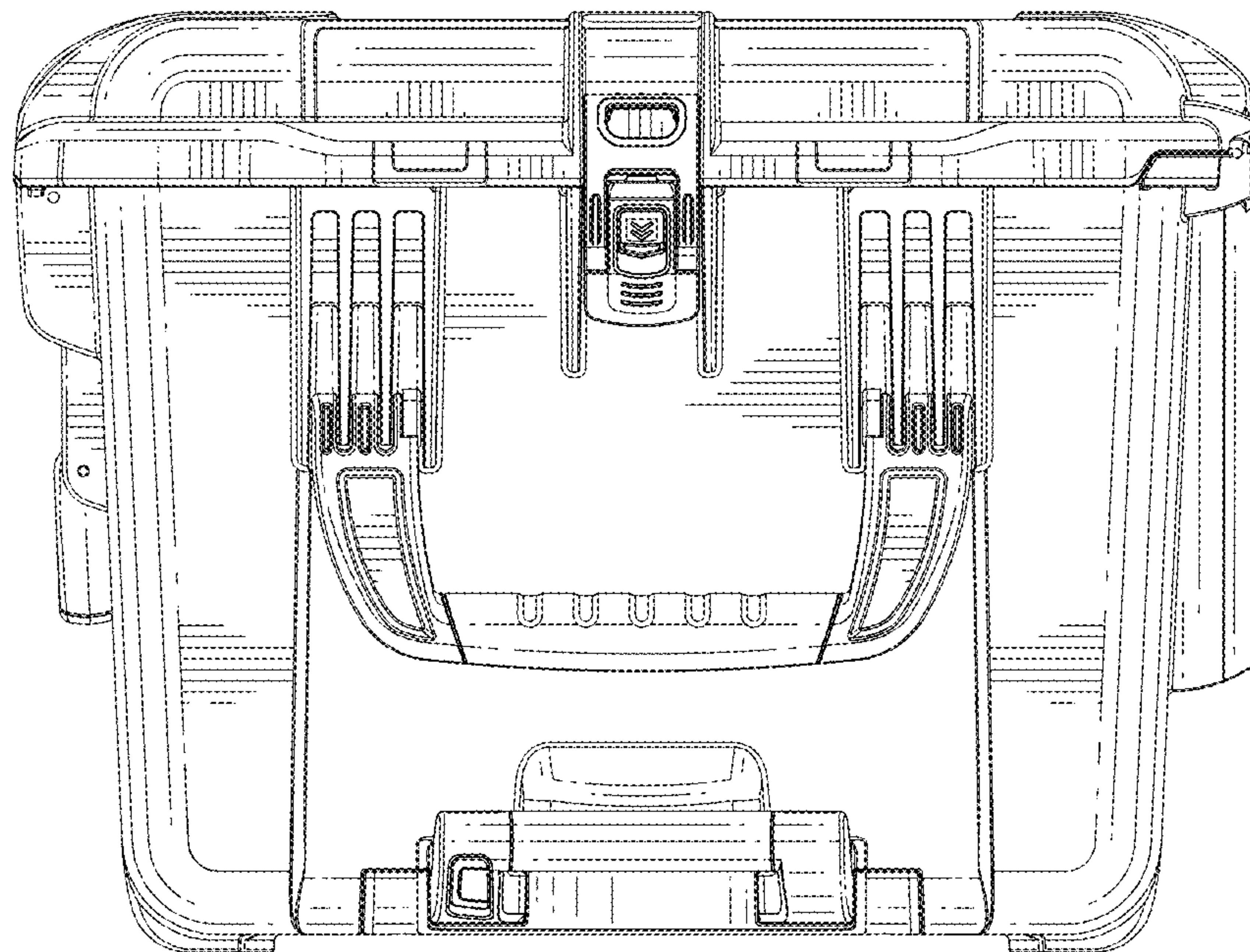


FIG.4

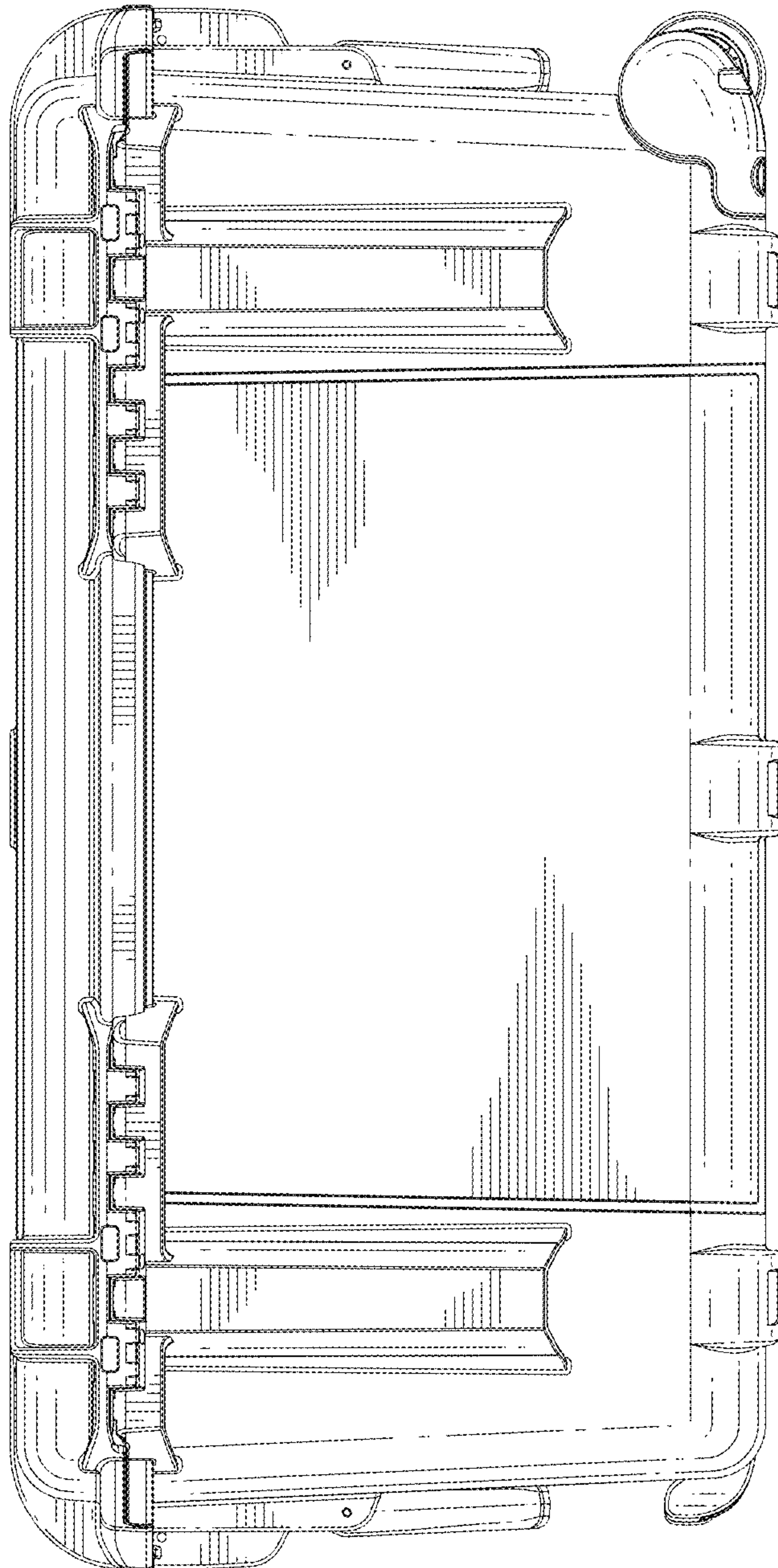


FIG. 5

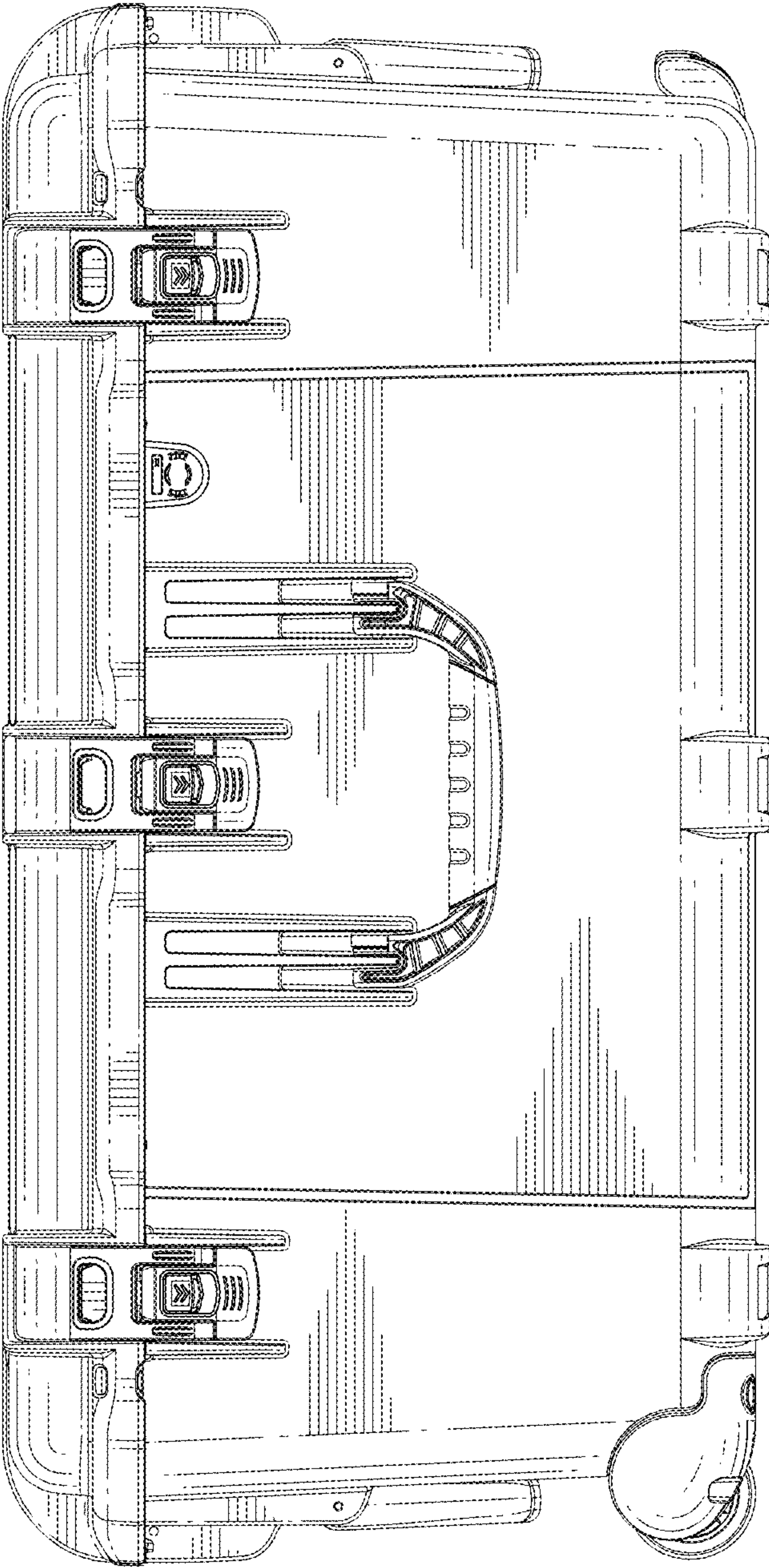


FIG. 6

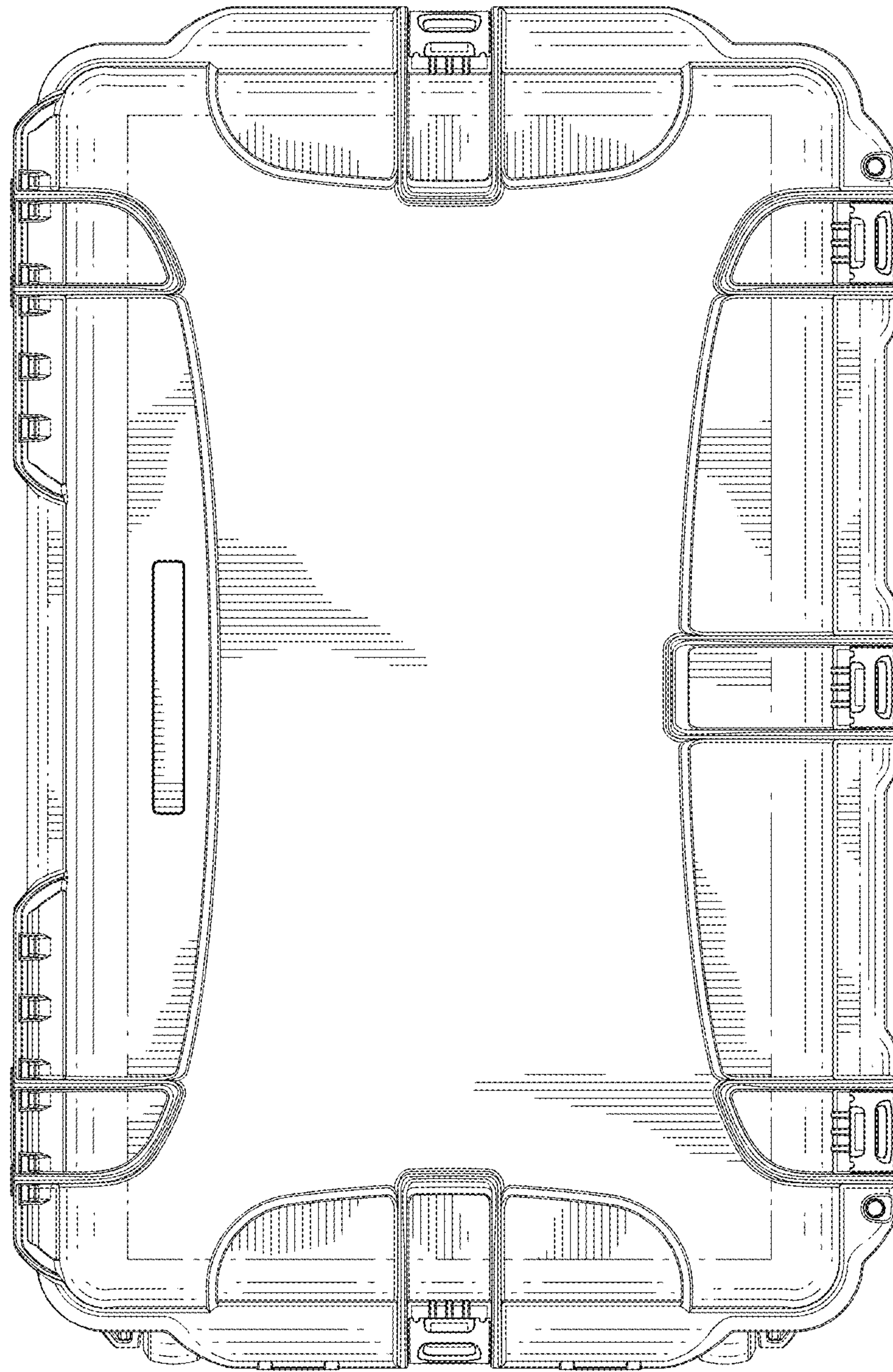


FIG. 7

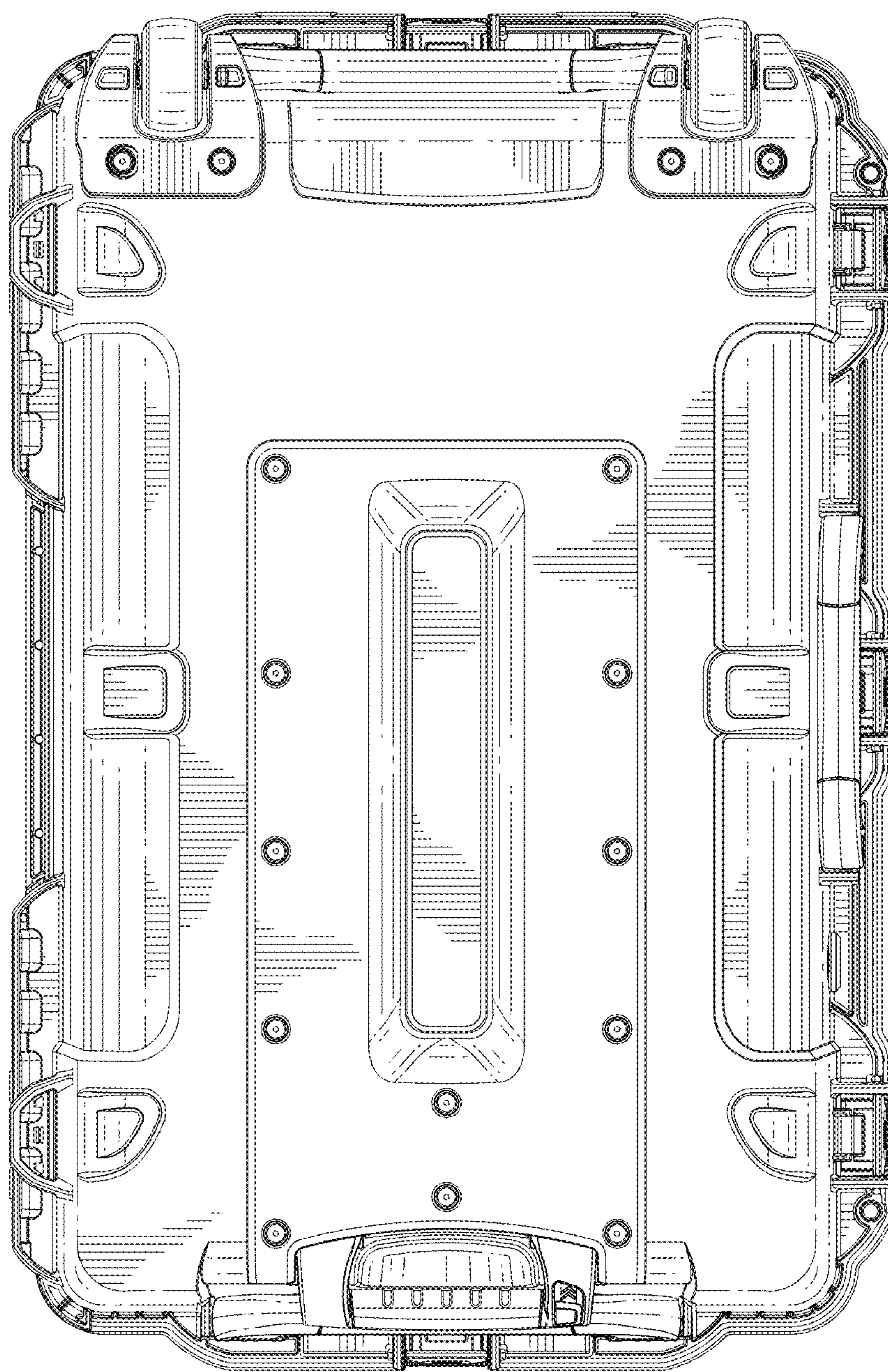


FIG. 8

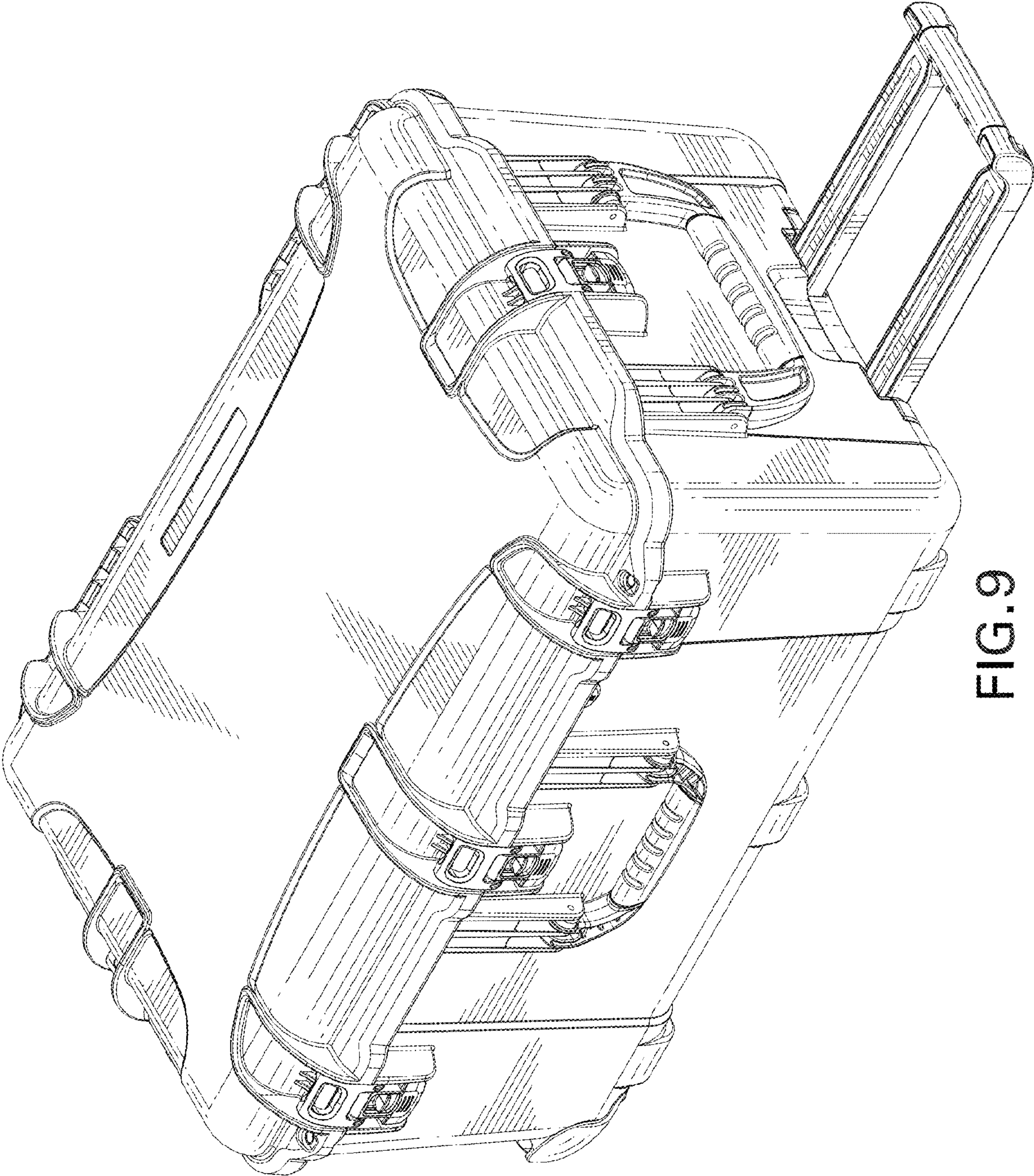


FIG. 9

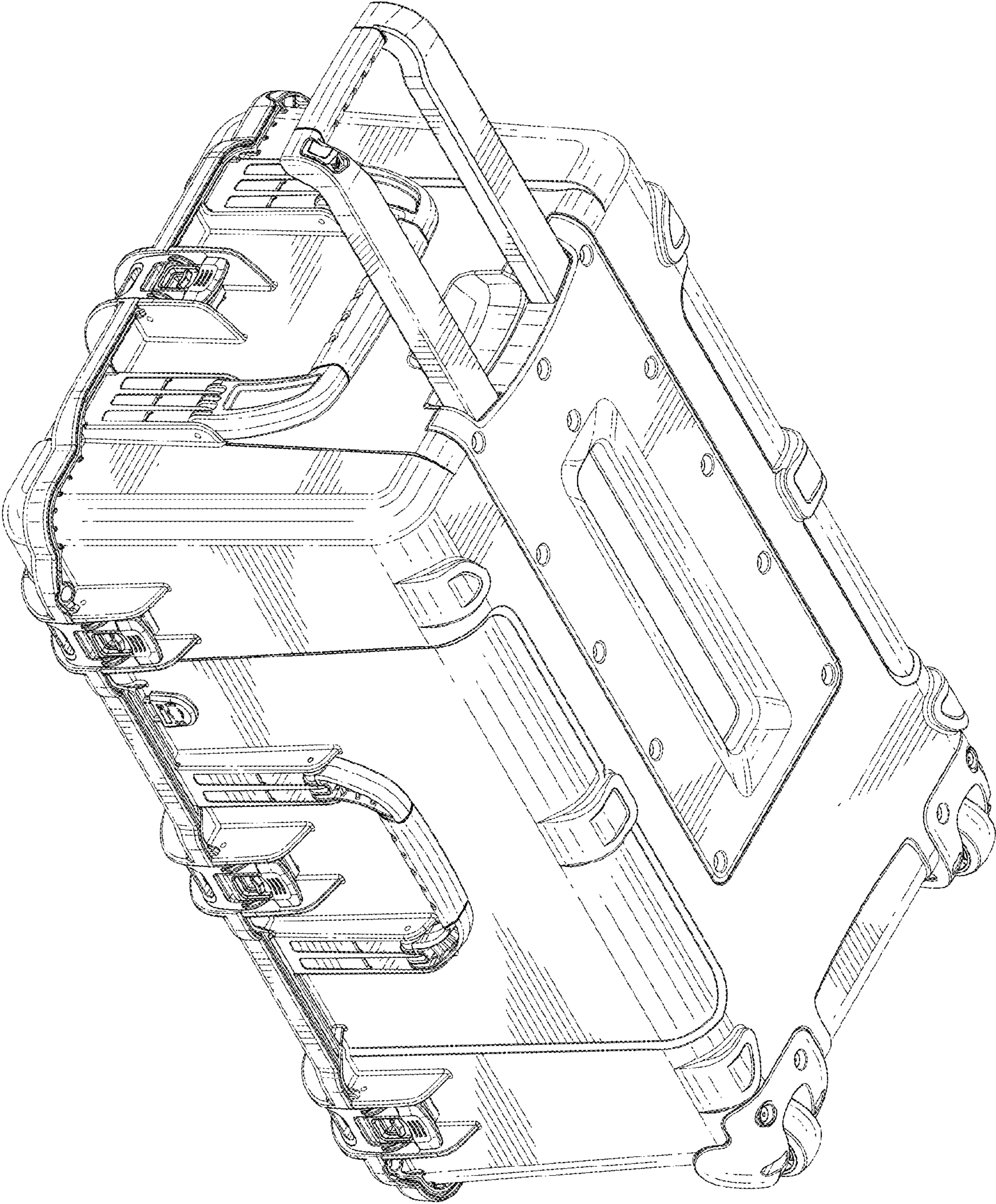


FIG.10

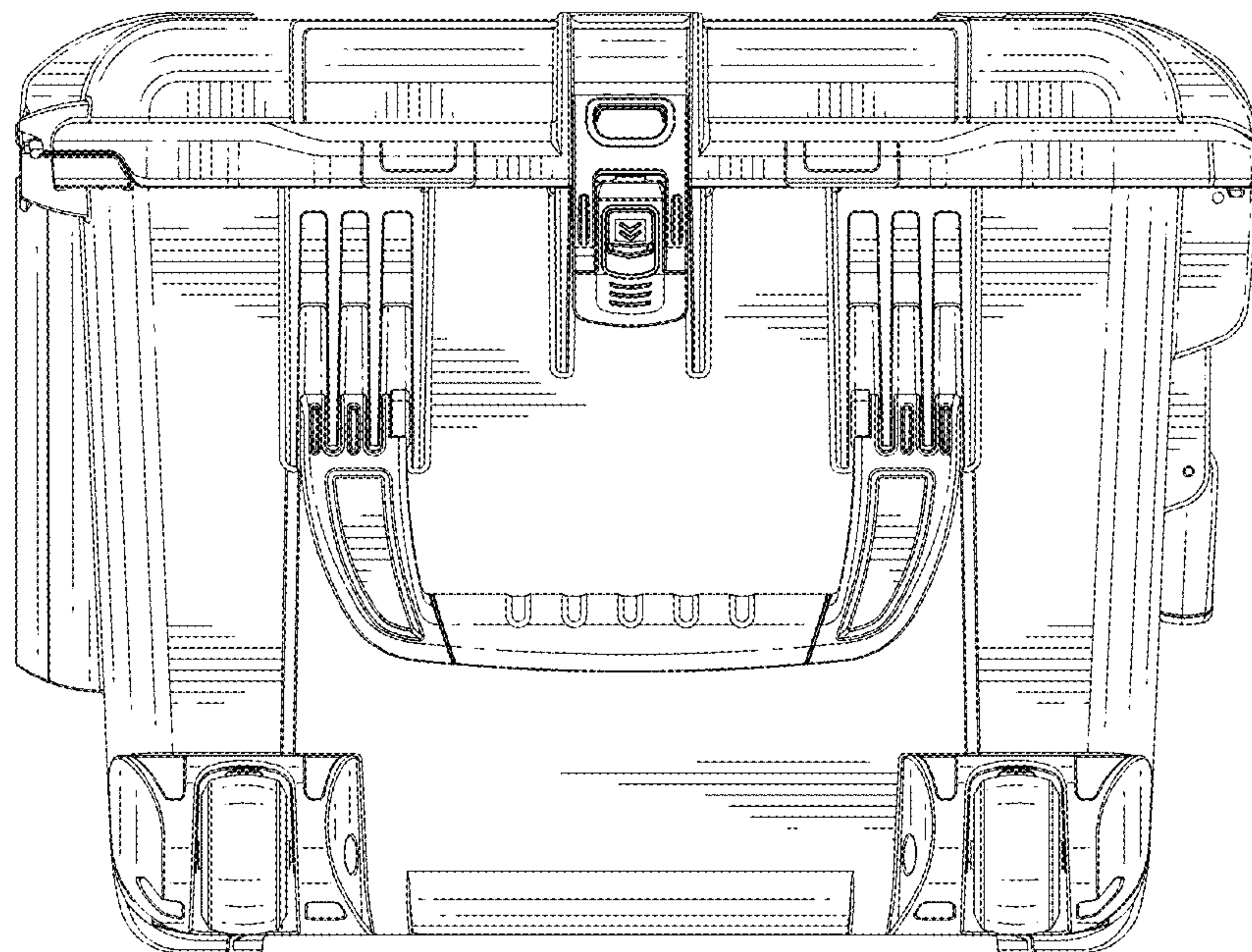


FIG. 11

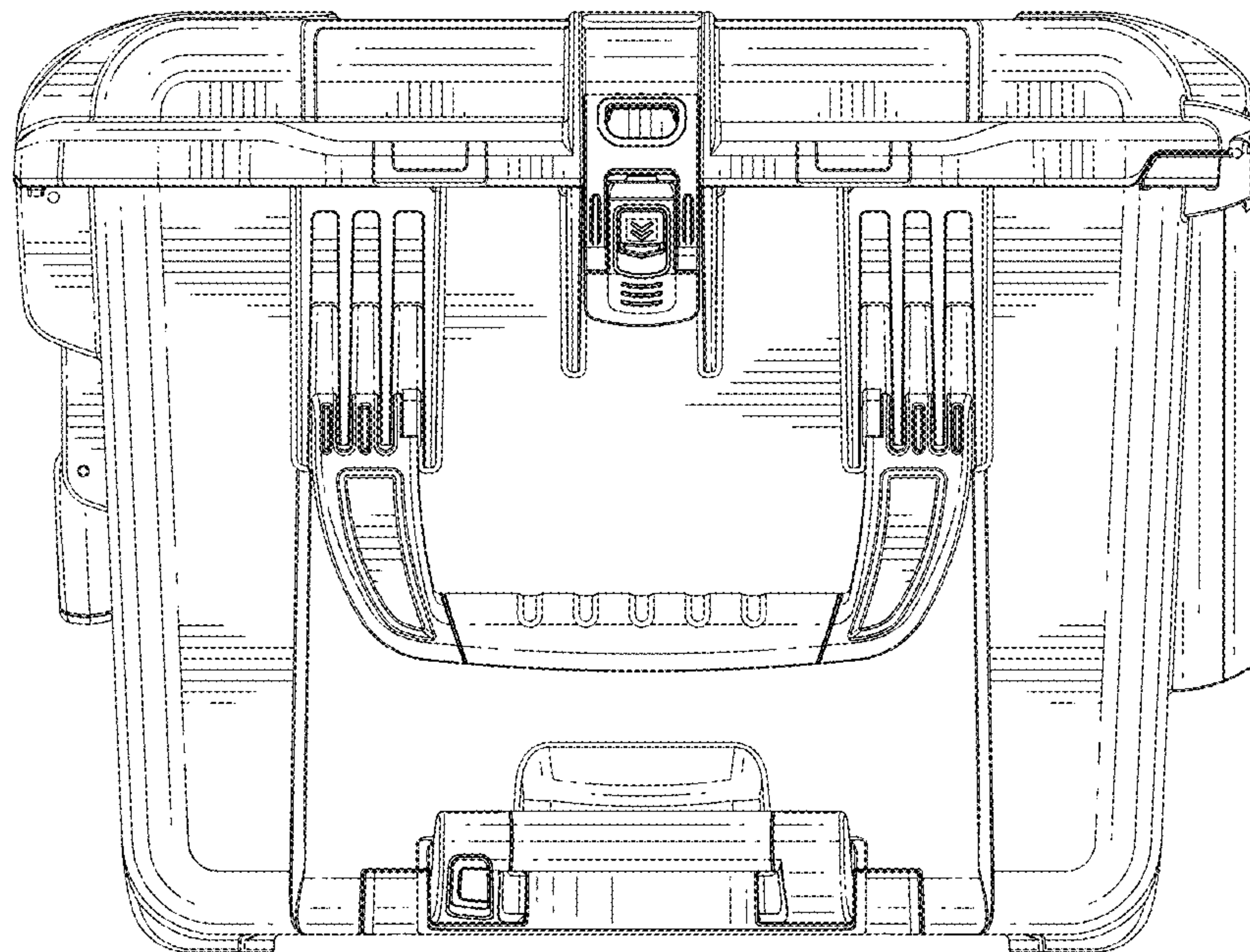


FIG. 12

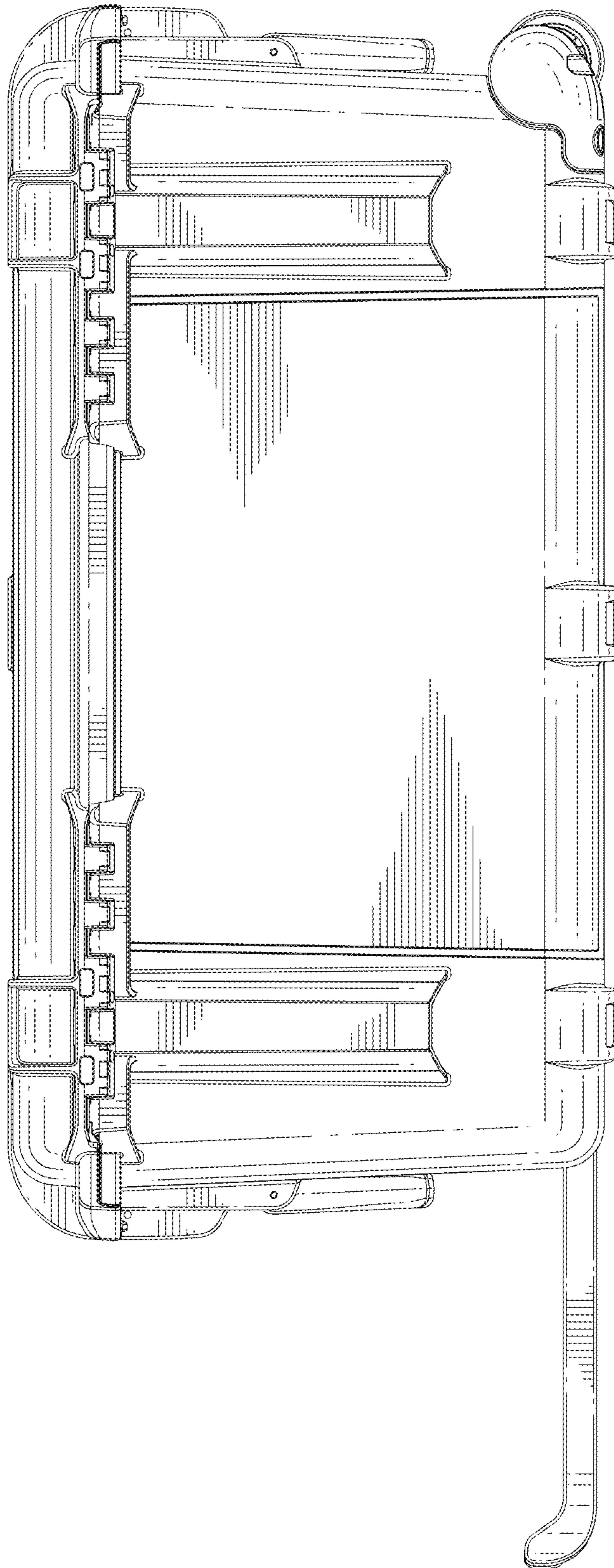


FIG. 13

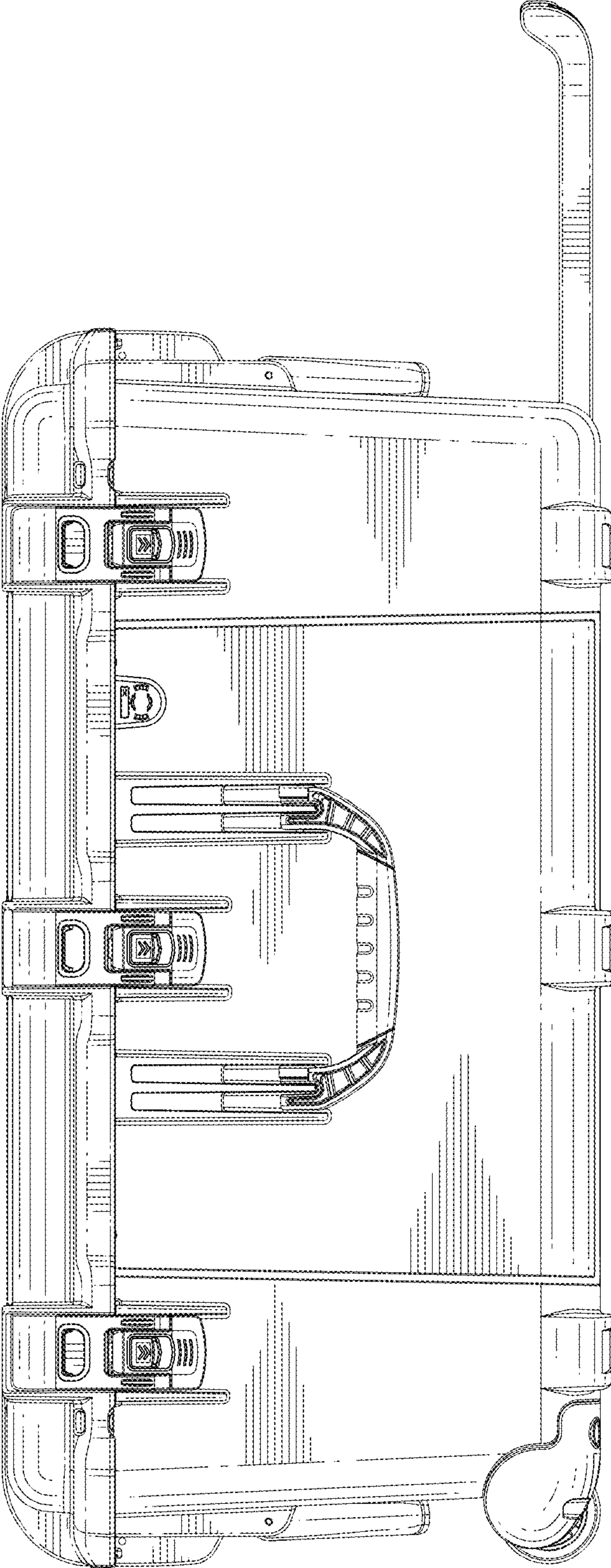


FIG.14

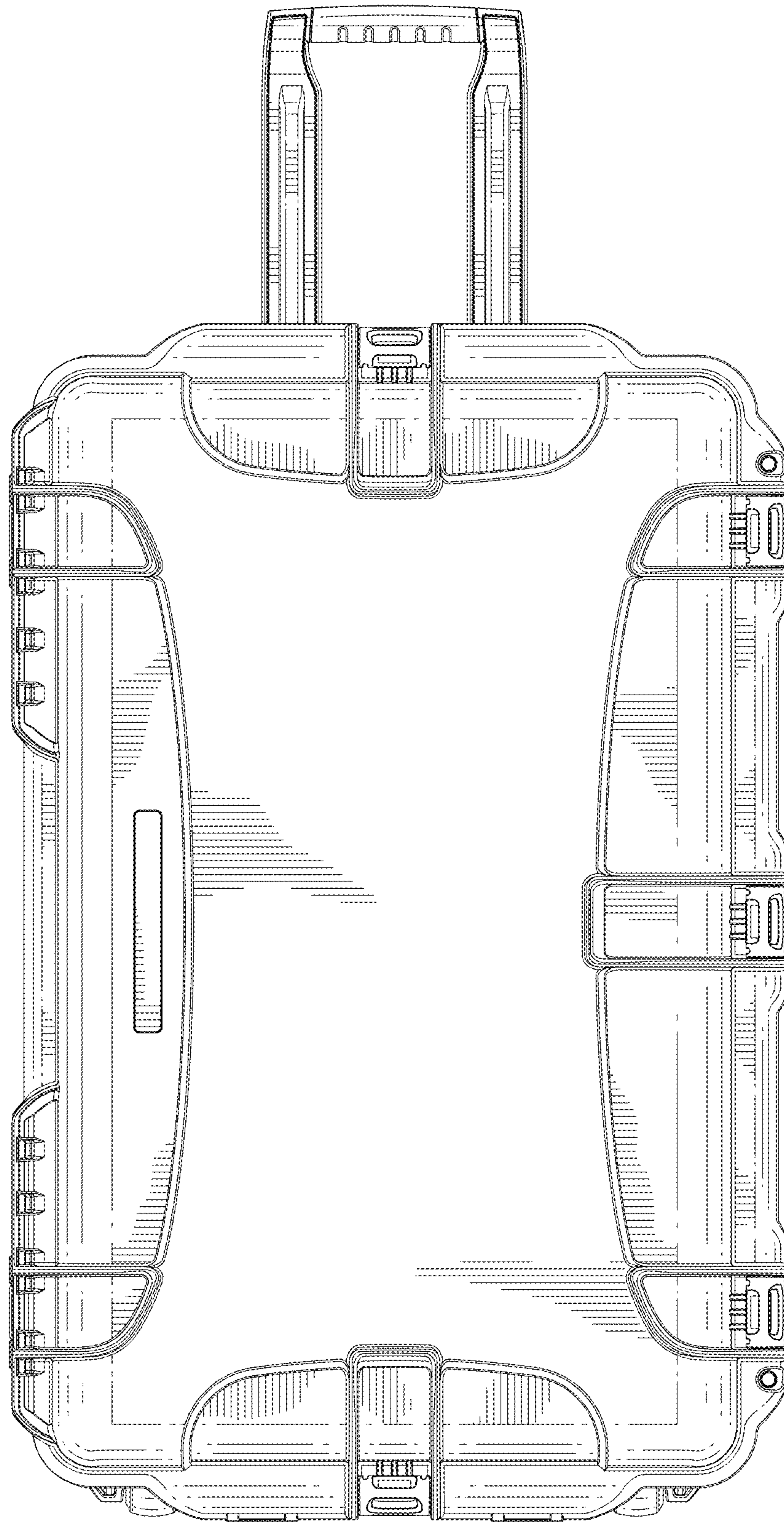


FIG. 15

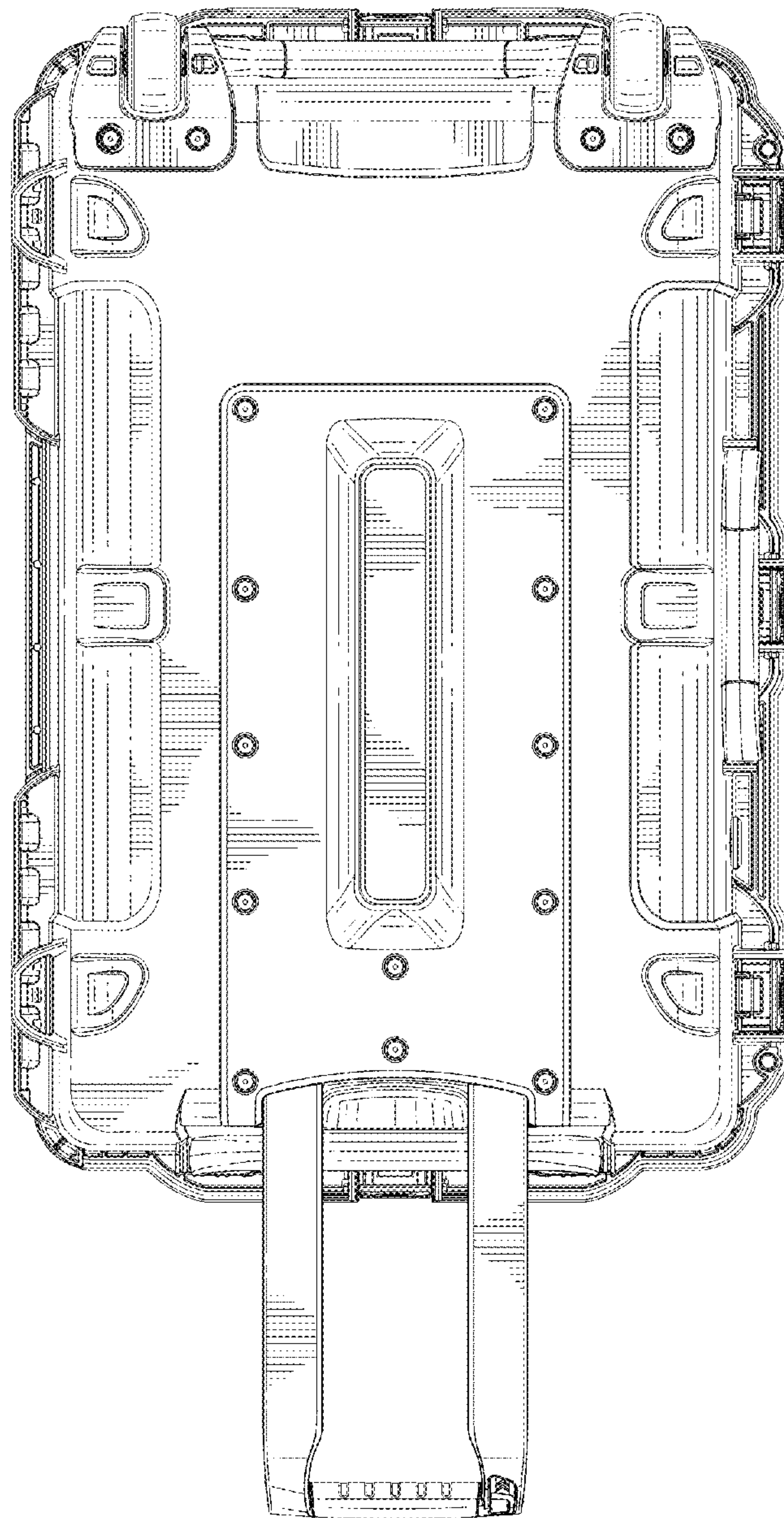


FIG. 16