



US00D898356S

(12) **United States Design Patent** (10) **Patent No.:** **US D898,356 S**  
**Rubio et al.** (45) **Date of Patent:** **\*\* \*Oct. 13, 2020**

(54) **LUGGAGE**

*Primary Examiner* — April Rivas

(71) Applicant: **JRSK, Inc.**, New York, NY (US)

(74) *Attorney, Agent, or Firm* — Proskauer Rose LLP

(72) Inventors: **Jennifer Rubio**, New York, NY (US);  
**Stephanie Korey**, New York, NY (US);  
**Sam Naparstek**, New York, NY (US);  
**Jessica Lee**, New York, NY (US); **Celia Lewis**, New York, NY (US)

(57) **CLAIM**

The ornamental design for luggage, substantially as shown and described.

(73) Assignee: **JRSK, Inc.**, New York, NY (US)

**DESCRIPTION**

(\*) Notice: This patent is subject to a terminal disclaimer.

FIG. 1 shows a top, front, left side perspective view of the Design, where the pocket is in a closed configuration.

(\*\*) Term: **15 Years**

FIG. 2 shows a front view of the Design, where the pocket is in a closed configuration.

(21) Appl. No.: **29/654,052**

FIG. 3 shows a rear view of the Design.

(22) Filed: **Jun. 20, 2018**

FIG. 4 shows a left side view of the Design, where the pocket is in a closed configuration.

(51) **LOC (12) Cl.** ..... **03-01**

FIG. 5 shows a right side view of the Design, where the pocket is in a closed configuration.

(52) **U.S. Cl.**

USPC ..... **D3/279**; D3/289; D3/902

FIG. 6 shows a top view of the Design, where the pocket is in a closed configuration.

(58) **Field of Classification Search**

USPC ..... D3/273, 274, 276, 279, 281, 282, 289, D3/321, 900, 902

FIG. 7 shows a bottom view of the Design, where the pocket is in a closed configuration.

CPC ..... A45C 5/00; A45C 2003/008; A45C 3/02; A45C 5/03; A45C 2005/032; A45C 2005/035; A45C 2005/037; A45C 5/06;

FIG. 8 shows a top, rear perspective view of the Design.

(Continued)

FIG. 9 shows a top, rear perspective view of the Design, where the handle is in an open configuration.

(56) **References Cited**

**U.S. PATENT DOCUMENTS**

D459,579 S \* 7/2002 Kegels ..... D3/279  
D628,384 S \* 12/2010 McCarthy ..... D3/289

FIG. 10 shows a close-up top, rear perspective view of the Design.

(Continued)

FIG. 11 shows a top, rear, right side perspective view of the Design, where the handle is in an open configuration.

**OTHER PUBLICATIONS**

Youtube, "Unboxing of Horizn Studio Model M Cabin Trolley | Holidays & More" Uploaded by Holidays & more on Feb. 19, 2017. ([https://www.youtube.com/watch?v=f1ch\\_41\\_hM8](https://www.youtube.com/watch?v=f1ch_41_hM8)) (Year: 2017).\*

FIG. 12 shows a top, rear, right side perspective view of the Design.

(Continued)

FIG. 13 shows a top, front, left side perspective view of the Design, where the pocket is in an open configuration.

FIG. 14 shows a top, front perspective view of the Design, where the pocket is in an open configuration; and,

FIG. 15 shows a front view of the Design, where the pocket is in an open configuration.

Any broken lines shown in the drawings represent unclaimed portions of the luggage and form no part of the claimed design.

**1 Claim, 15 Drawing Sheets**



(58) **Field of Classification Search**

CPC . A45C 5/14; A45C 2005/142; A45C 2200/20;  
A45C 3/12

See application file for complete search history.

(56) **References Cited**

U.S. PATENT DOCUMENTS

D767,893 S *	10/2016	Diz .....	D3/279
D784,016 S *	4/2017	Morszeck .....	D3/279
D785,937 S *	5/2017	Morszeck .....	D3/279
D788,460 S *	6/2017	Morszeck .....	D3/279
D796,844 S *	9/2017	Morszeck .....	D3/321
D809,294 S *	2/2018	Tong .....	D3/279
D812,909 S *	3/2018	Morszeck .....	D3/279
D824,168 S *	7/2018	Morszeck .....	D3/279
2010/0101971 A1 *	4/2010	Chisholm .....	A45C 5/03 206/526
2014/0110204 A1 *	4/2014	Wu .....	A45C 5/14 190/18 A
2018/0206605 A1 *	7/2018	Wu .....	A45C 7/0045
2018/0360176 A1 *	12/2018	Tang .....	A45C 5/03

OTHER PUBLICATIONS

Horizn Studios, "M5 Cabin Luggage (33 L)", Accessed Jul. 12, 2019. (<https://horizn-studios.com/en/collections/luggage/cabin/products/model-m/all-black-multi-shell/>) (Year: 2019).\*

Amazon.ca, "COOLIFE Luggage Suitcase Piece Set . . .", First on sale Apr. 23, 2019. (<https://www.amazon.ca/COOLIFE-Luggage-Suitcase-Spinner-Trolley/dp/B07P6TZFY1>) (Year: 2019).\*

Amazon.co.uk, "Travelhouse Suitcase Travel Luggage . . .", First on sale Sep. 30, 2015. (<https://www.amazon.co.uk/Travelhouse-Suitcase-Luggage-Lightweight-Suitcas/dp/B076BLRPD9/>) (Year: 2015).\*

Youtube, "Thanksgiving Weekend Packing with Away Luggage", Posted by user travel-whereonnext on Nov. 18, 2016. (<https://www.youtube.com/watch?v=FRIXAfNJSbk>) (Year: 2016).\*

Martin, James A., "The 12 best laptop bags for mobile professionals," CIO, Apr. 2, 2013; <https://www.cio.com/article/2369857/la-to-computers/laptop-computers-93781-the-12-b> . . . ; 14 pages.

"The Men's Cabin Trolley," Horizn Studios, Mar. 23, 2016, <https://web.archive.org/web/20160323155817/http://horizn-studios.com:80/collections/men/products/the-cabin-trolley-men?variant=17381499971>, 10 pages.

\* cited by examiner

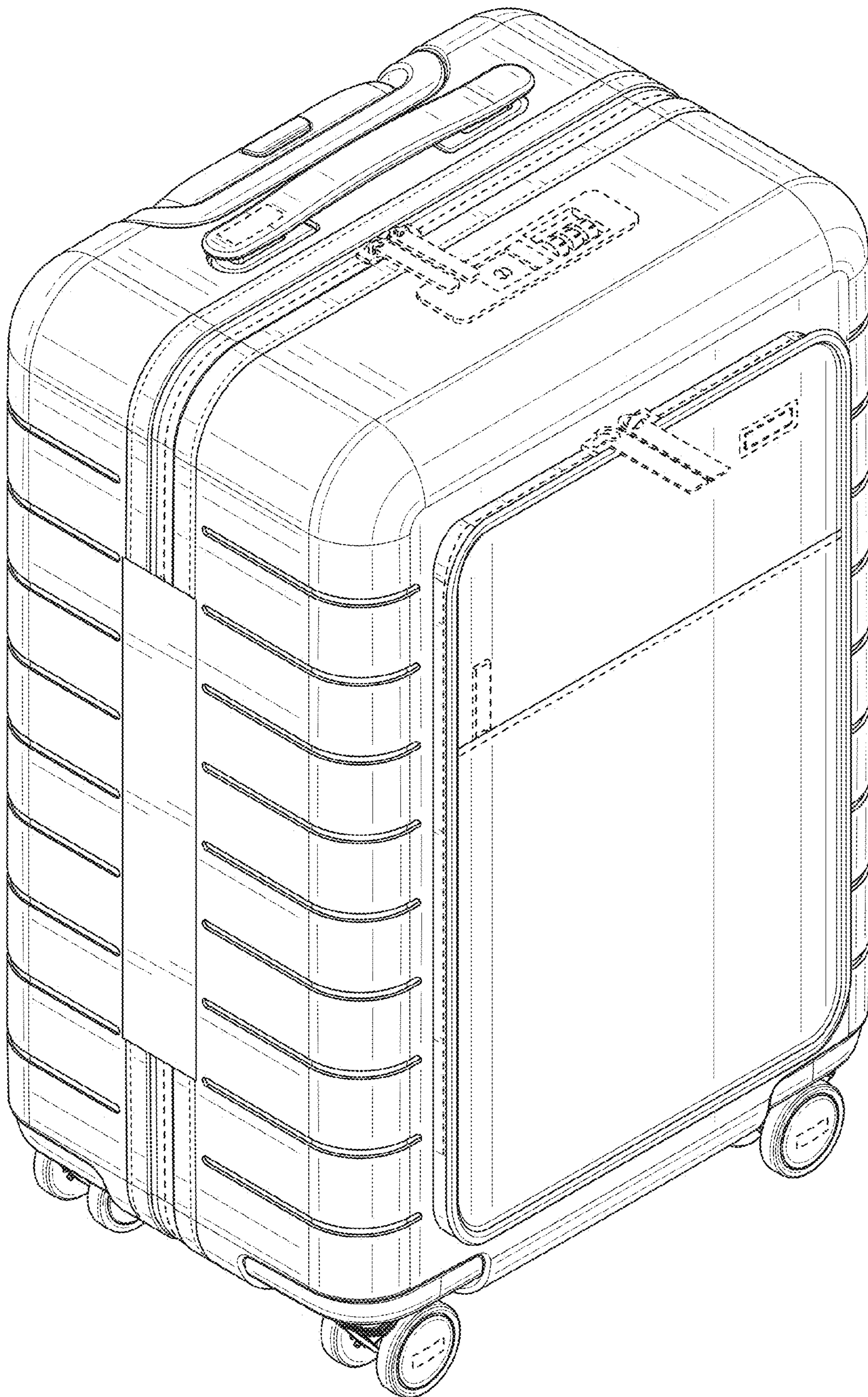


FIG. 1

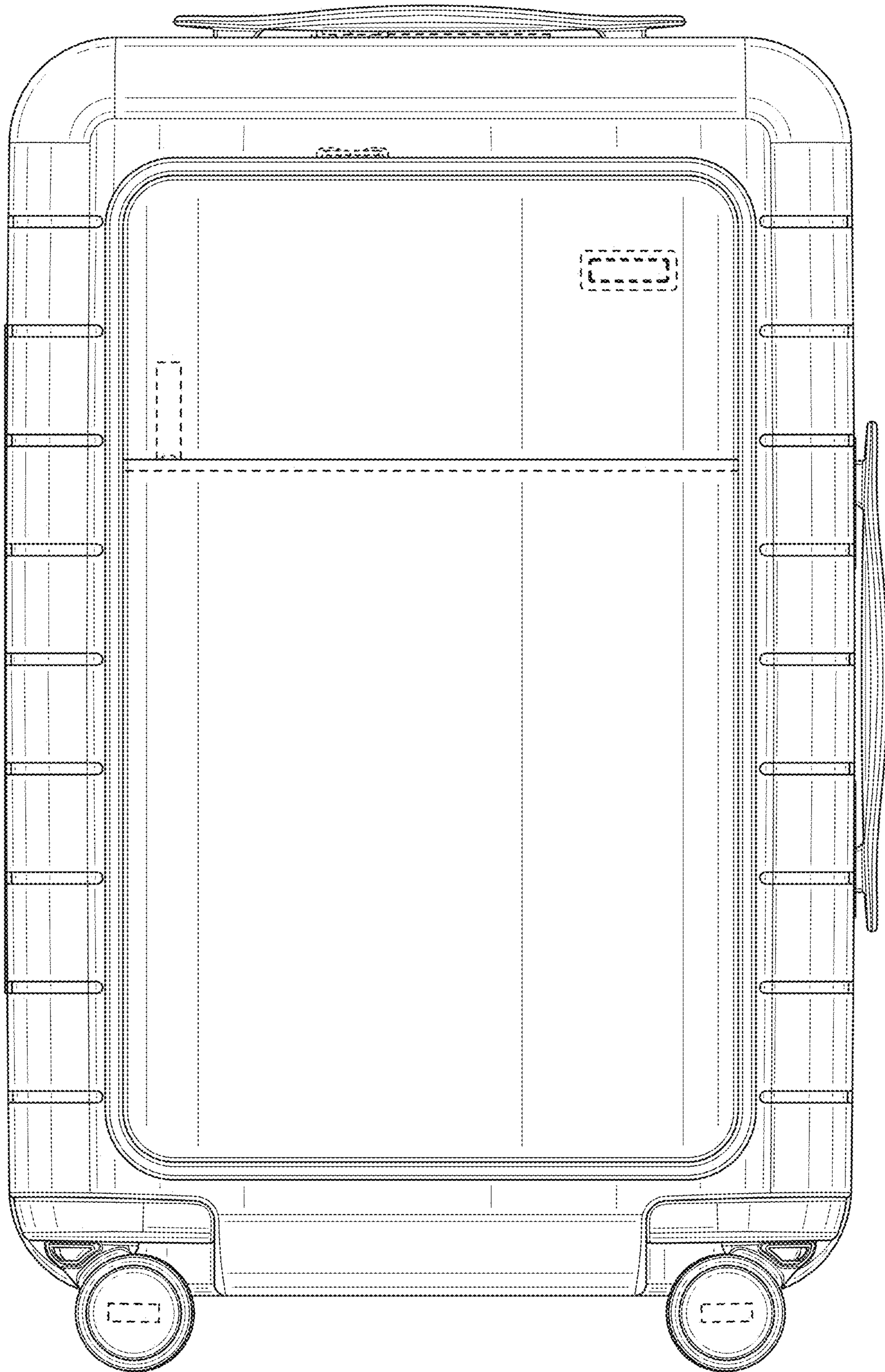


FIG. 2

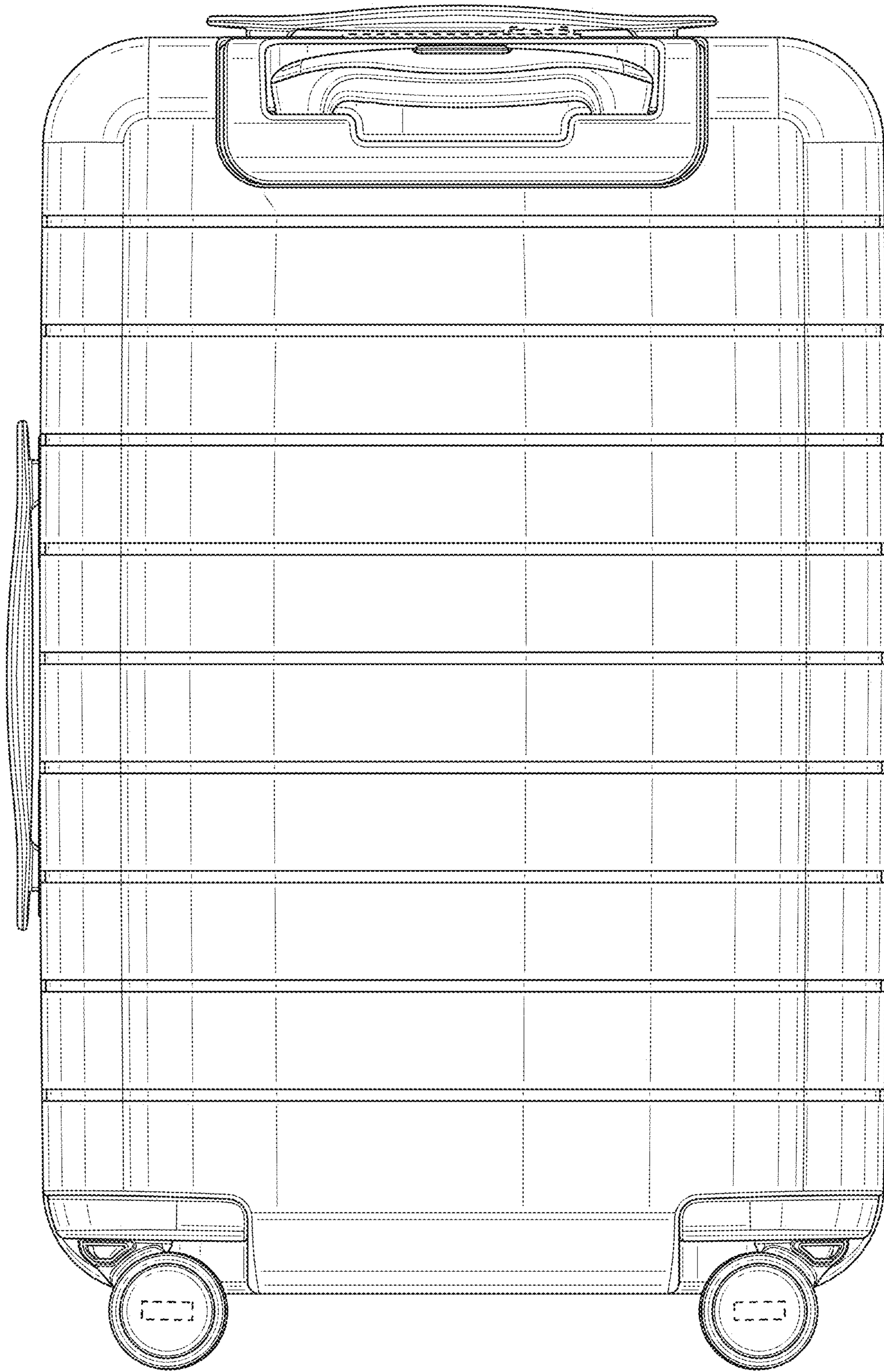


FIG. 3

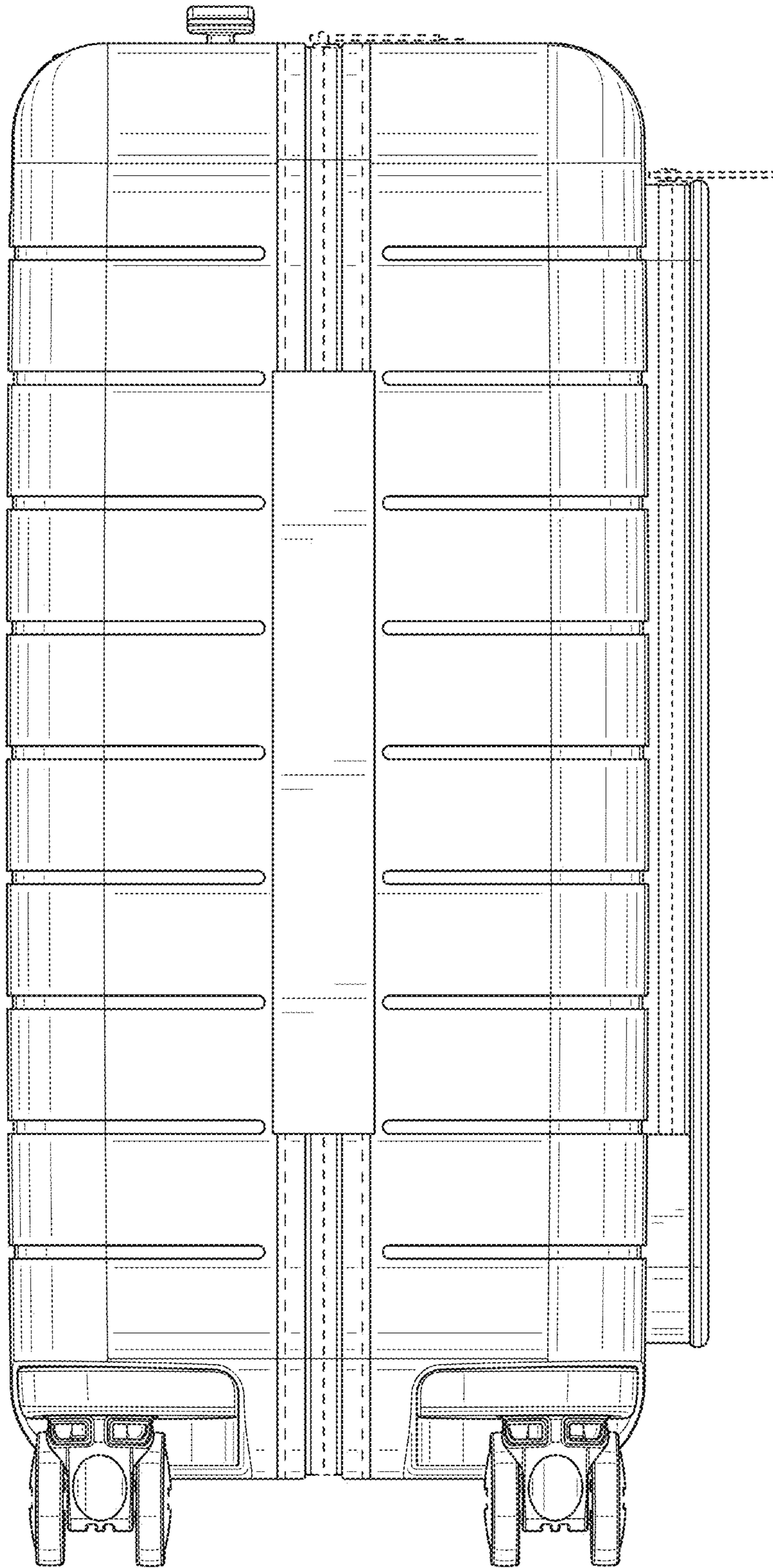


FIG. 4

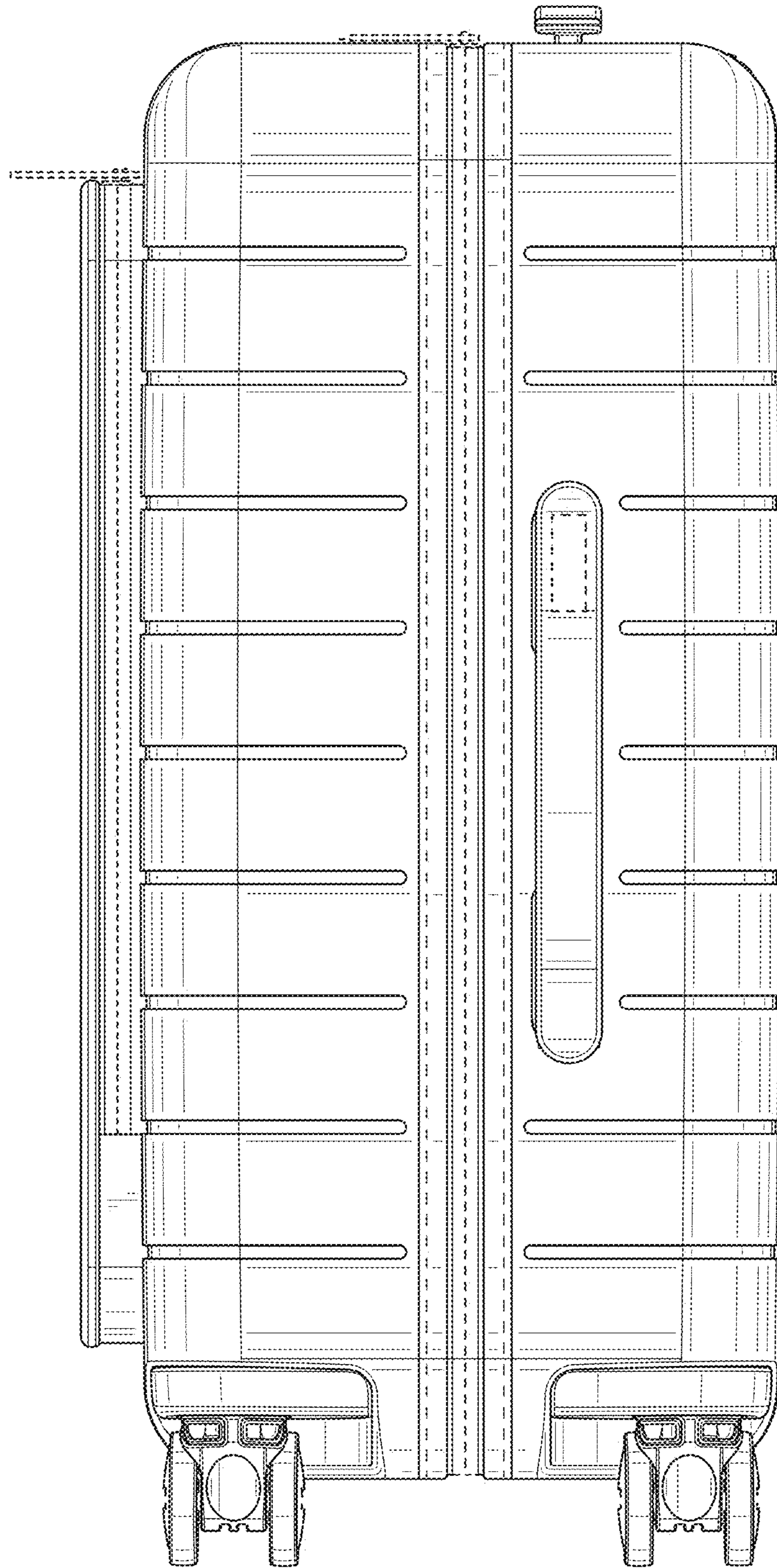


FIG. 5

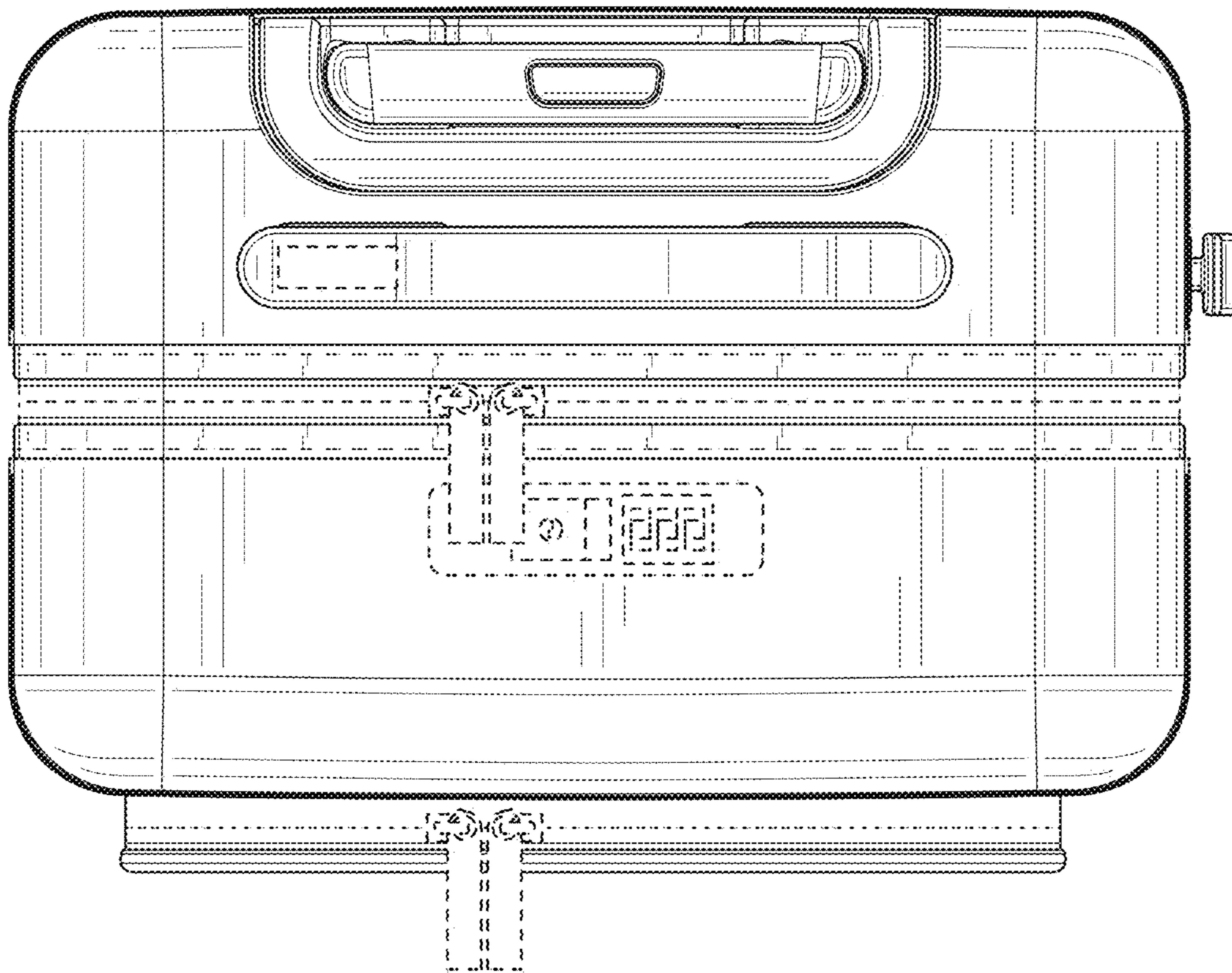


FIG. 6



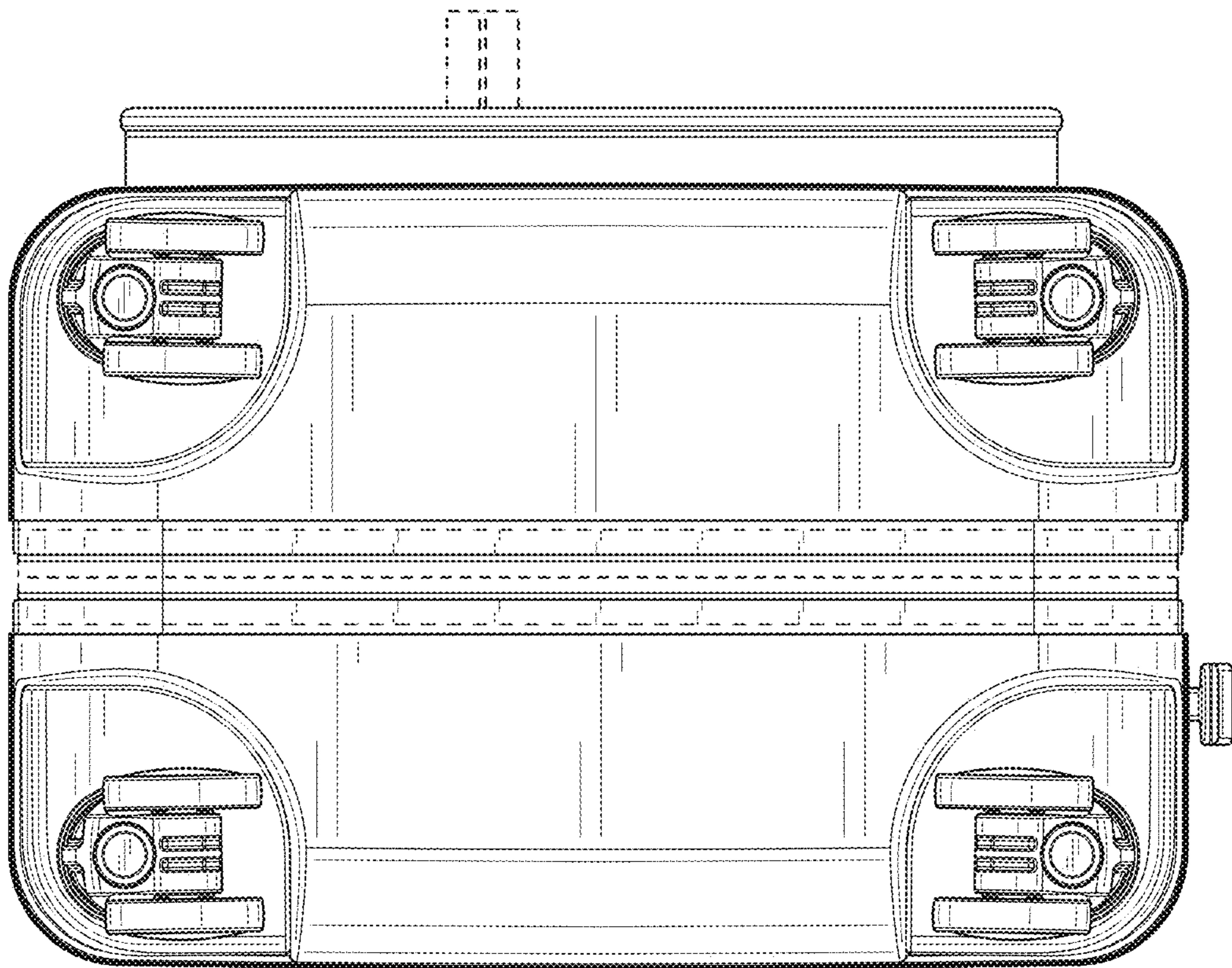


FIG. 7

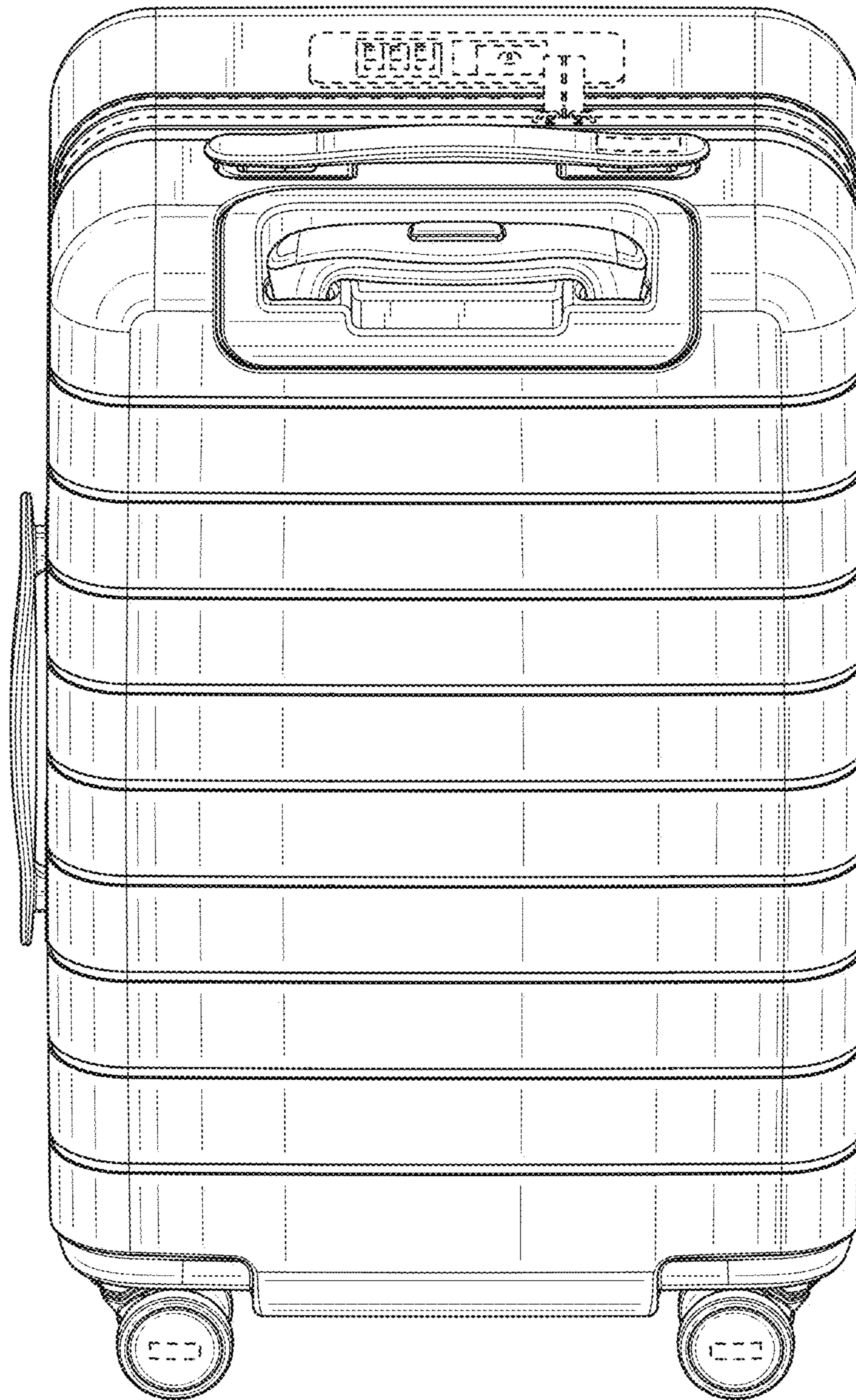


FIG. 8

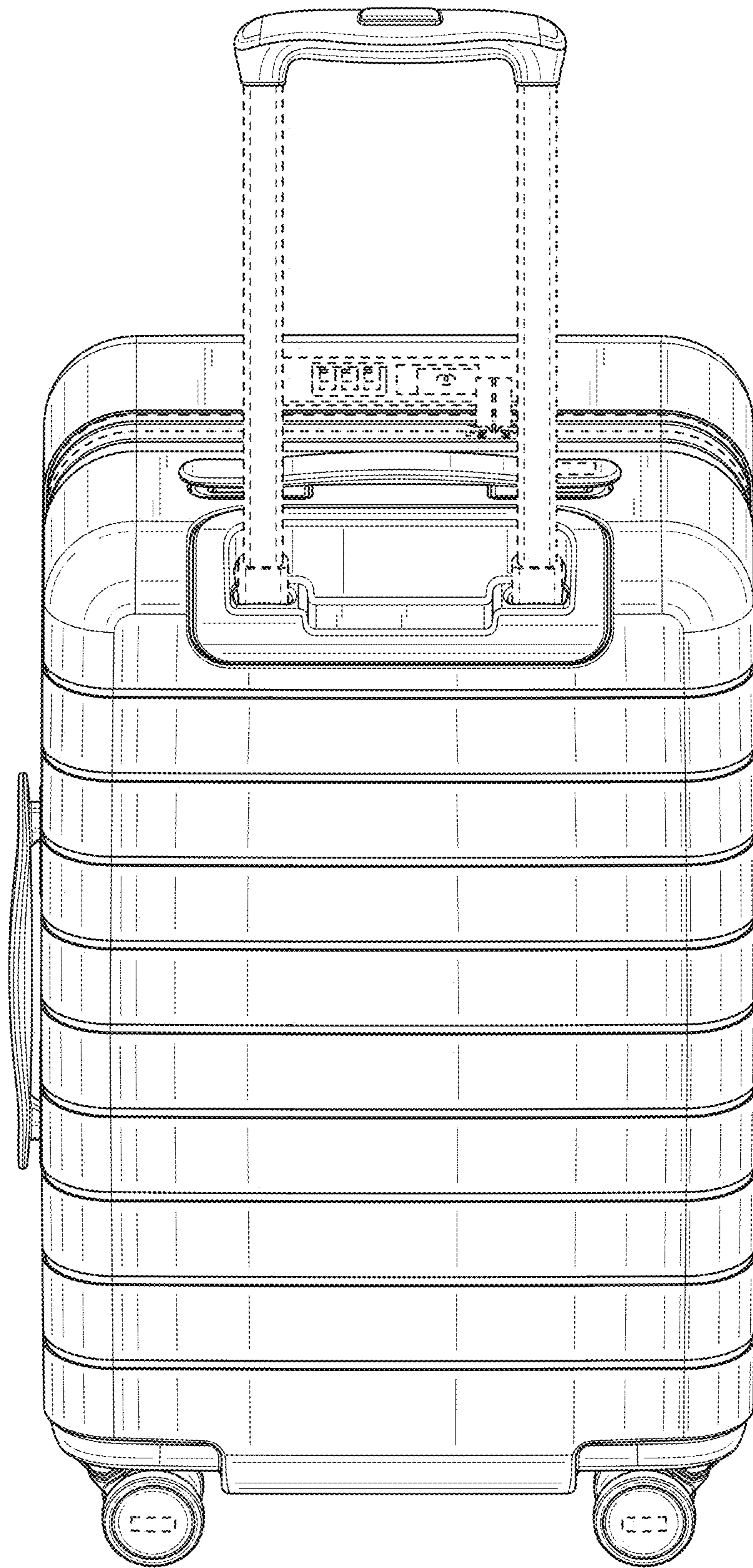


FIG. 9

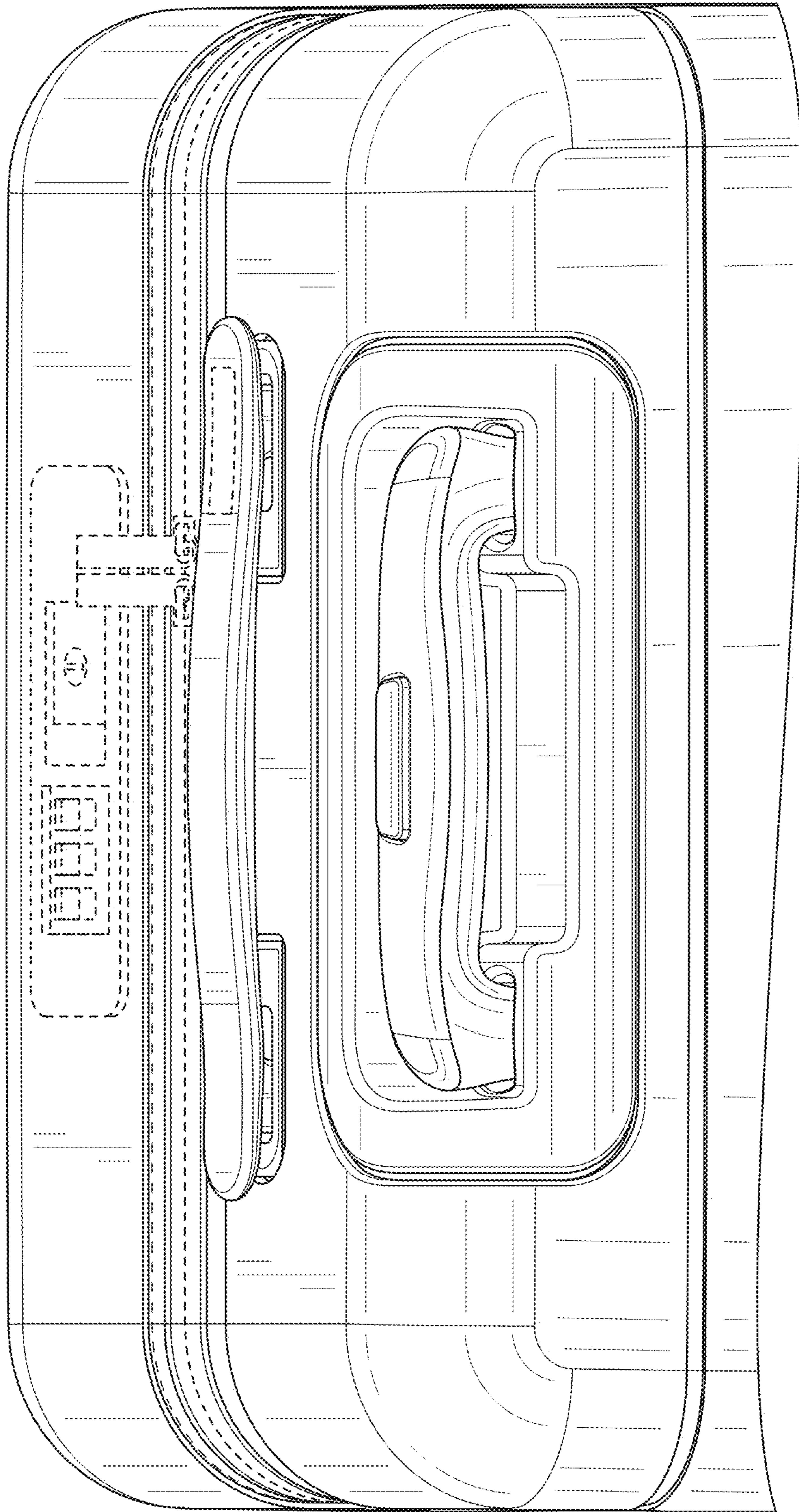


FIG. 10

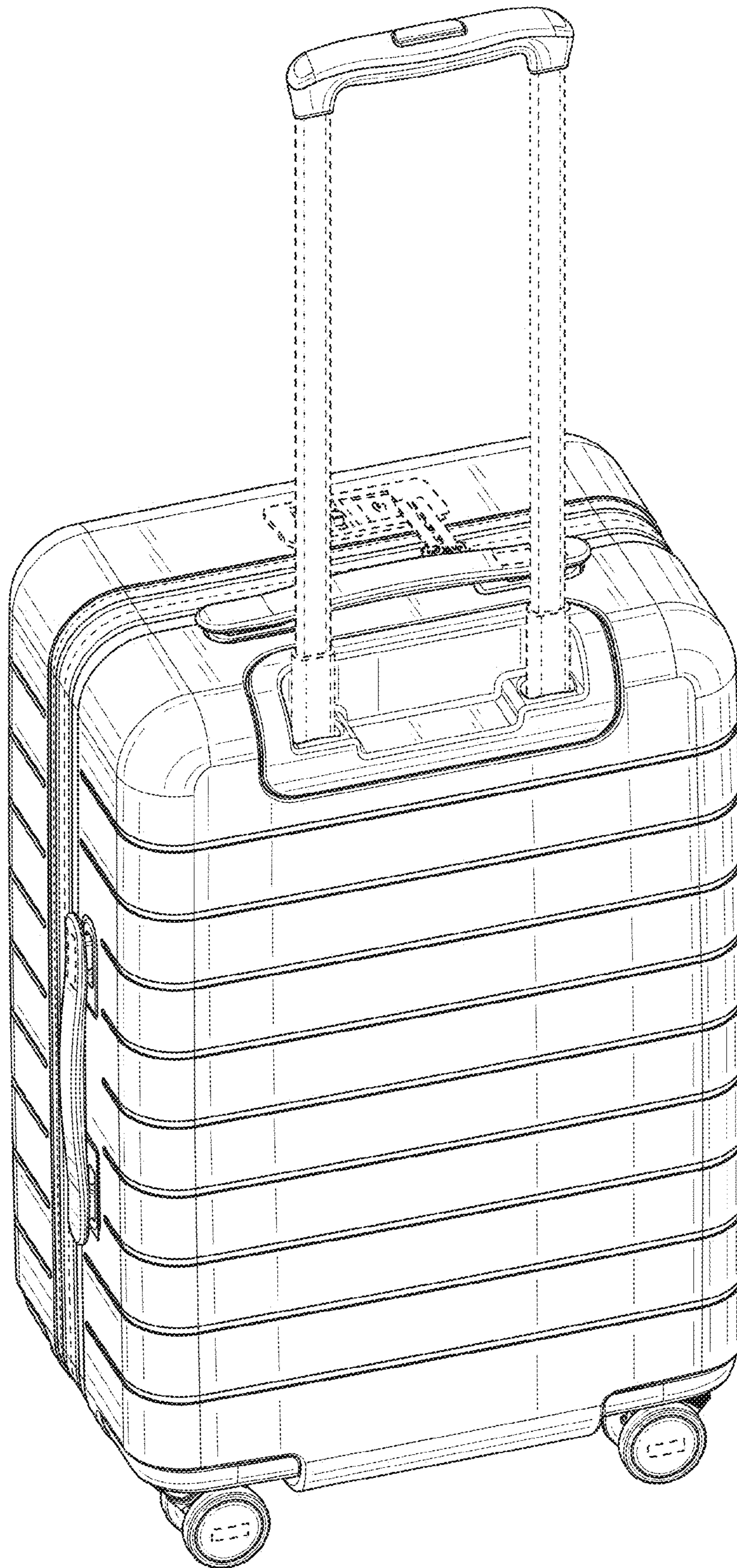


FIG. 11



FIG. 12



FIG. 13

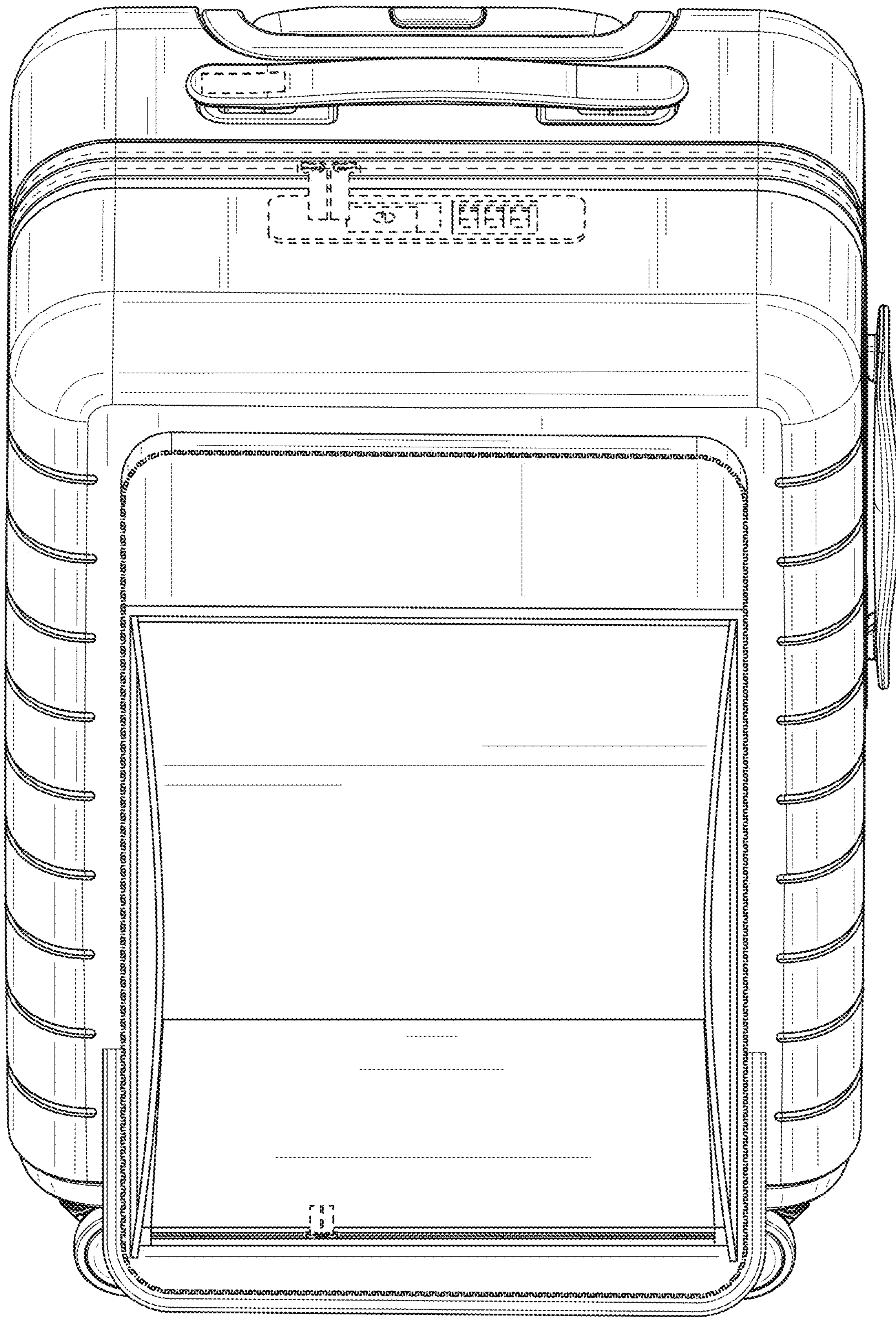


FIG. 14



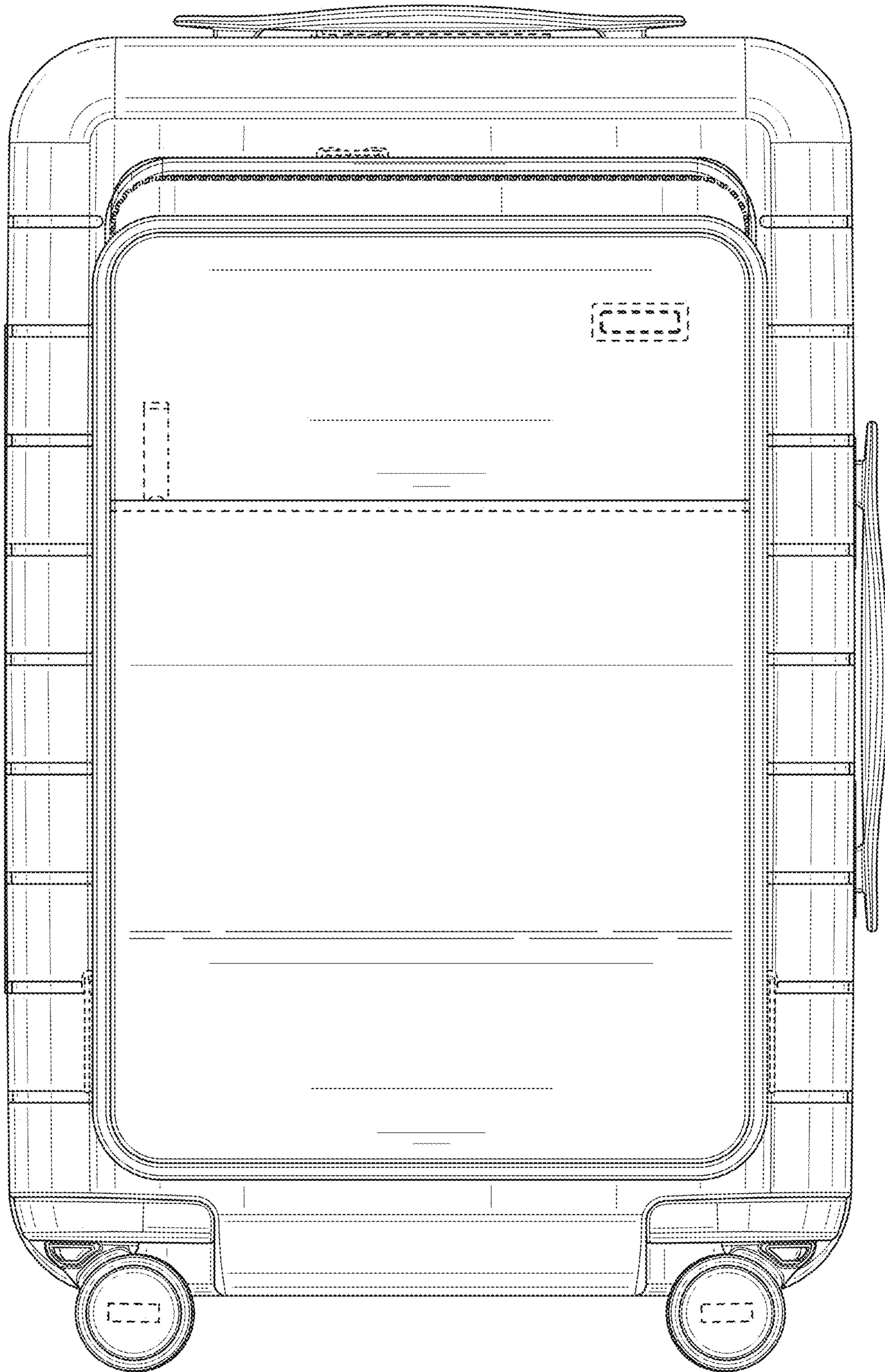


FIG. 15