



US00D898354S

(12) **United States Design Patent**
Hoffman

(10) **Patent No.:** **US D898,354 S**

(45) **Date of Patent:** **** Oct. 13, 2020**

(54) **MINIMALIST WALLET**

9,877,556 B1 * 1/2018 Holder A45C 1/06
D831,349 S * 10/2018 Deng D3/247
D842,605 S * 3/2019 Bo D3/247

(71) Applicant: **Christopher Hoffman**, Bayonne, NJ
(US)

* cited by examiner

(72) Inventor: **Christopher Hoffman**, Bayonne, NJ
(US)

Primary Examiner — Holly H Baynham

(74) *Attorney, Agent, or Firm* — Gearhart Law LLC

(**) Term: **15 Years**

(57) **CLAIM**

(21) Appl. No.: **29/693,985**

The ornamental design for a minimalist wallet, as shown and described.

(22) Filed: **Jun. 6, 2019**

DESCRIPTION

(51) **LOC (12) Cl.** **03-01**

(52) **U.S. Cl.**
USPC **D3/247**

(58) **Field of Classification Search**
USPC D3/232–233, 240–243, 245–246
CPC A45C 1/06; A45C 3/08
See application file for complete search history.

FIG. 1 is a front perspective view of the minimalist wallet.
FIG. 2 is a front view thereof.
FIG. 3 is a back view thereof.
FIG. 4 is a right side view thereof.
FIG. 5 is a left side view thereof.
FIG. 6 is a top view thereof.
FIG. 7 is a bottom view thereof.
FIG. 8 is a rear perspective view thereof; and,
FIG. 9 is a front perspective view of the minimalist wallet in an alternative position.

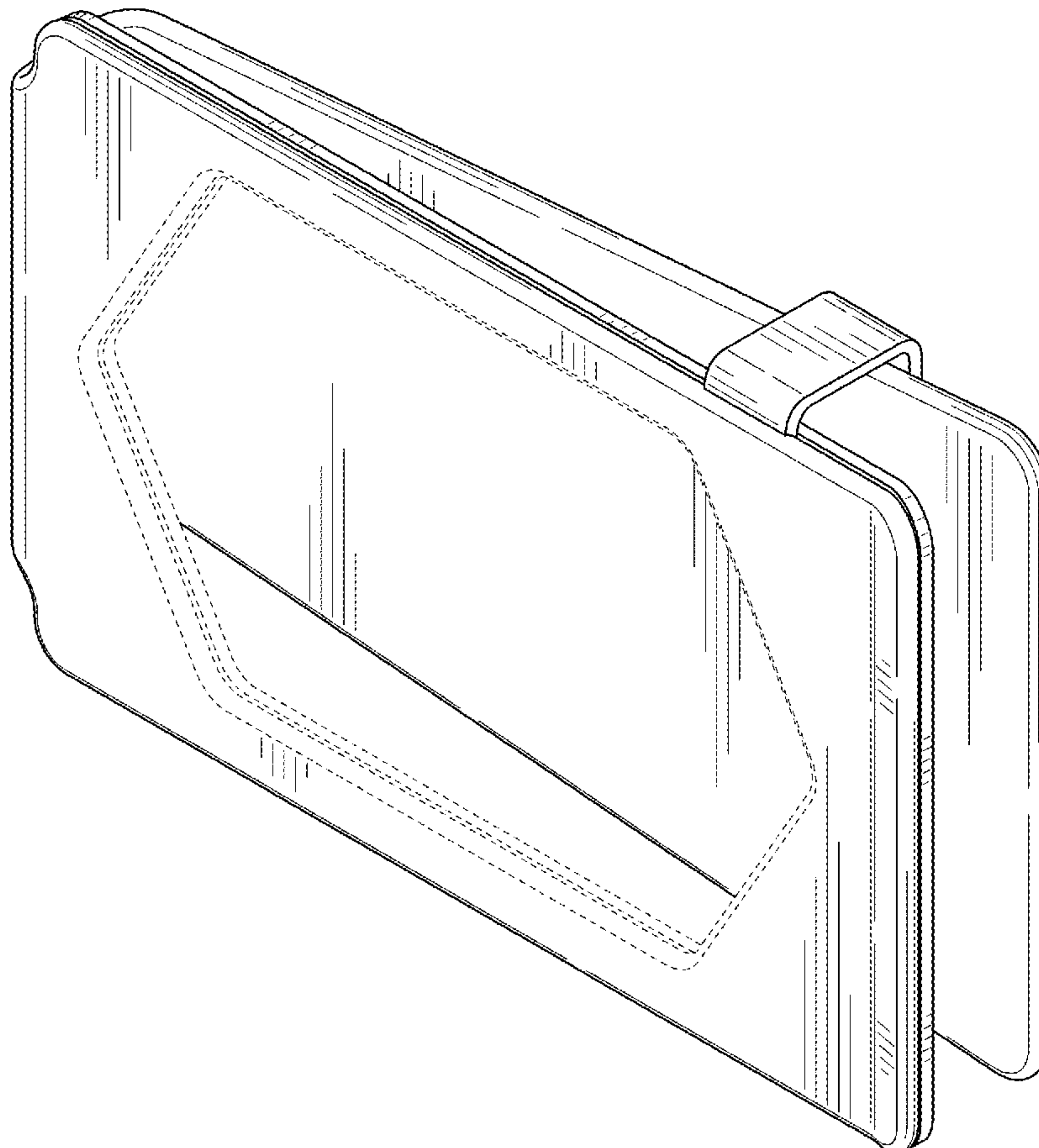
(56) **References Cited**

U.S. PATENT DOCUMENTS

D435,339 S * 12/2000 Cleveland A45C 1/06
D3/249
D619,356 S * 7/2010 Hillman D3/249
D653,851 S * 2/2012 Flyvholm D3/247
D756,643 S * 5/2016 DeChant D3/247

The broken lines present in the drawings defining an opening in a panel of the minimalist wallet form no part of the claimed design.

1 Claim, 5 Drawing Sheets



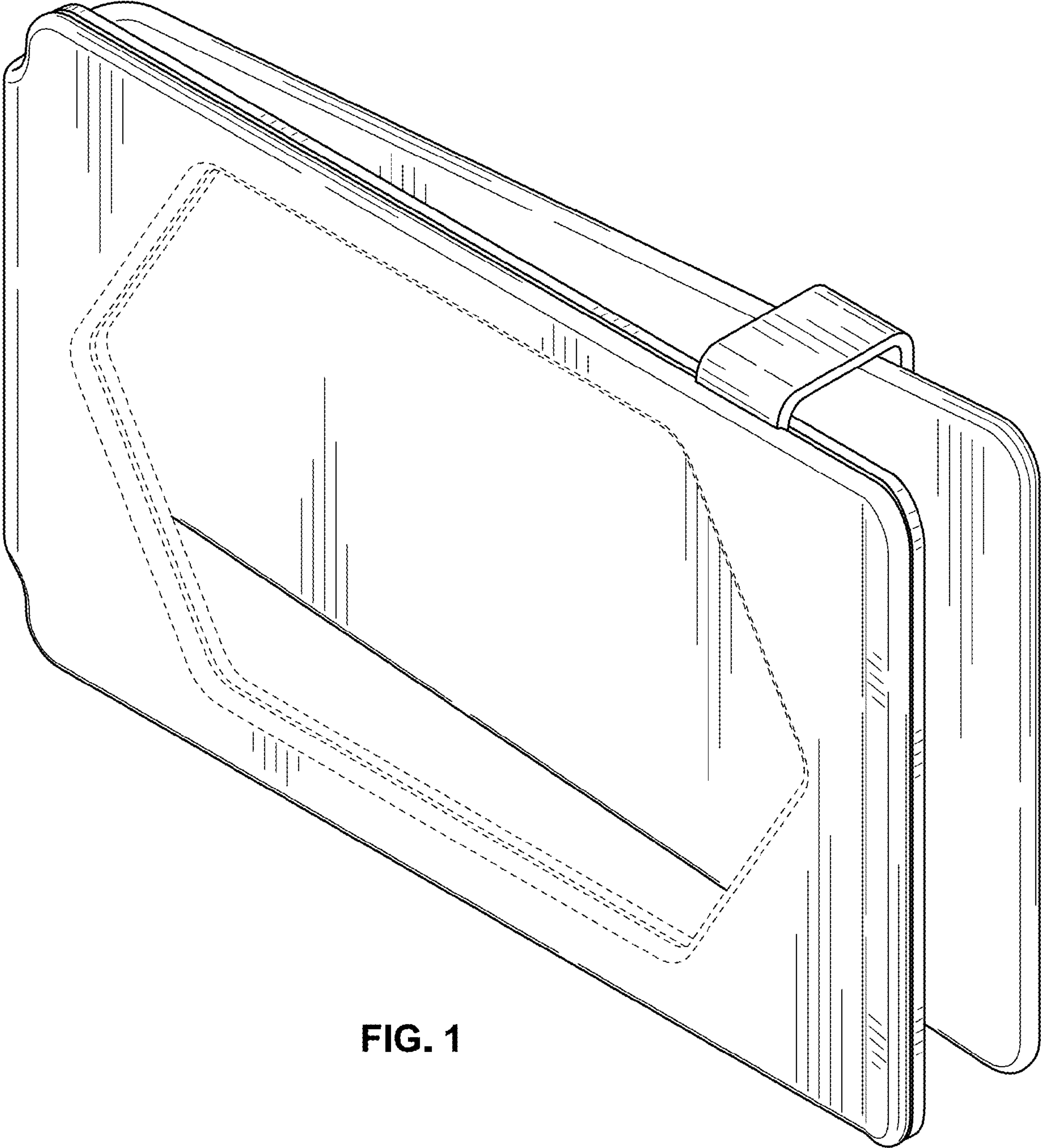


FIG. 1

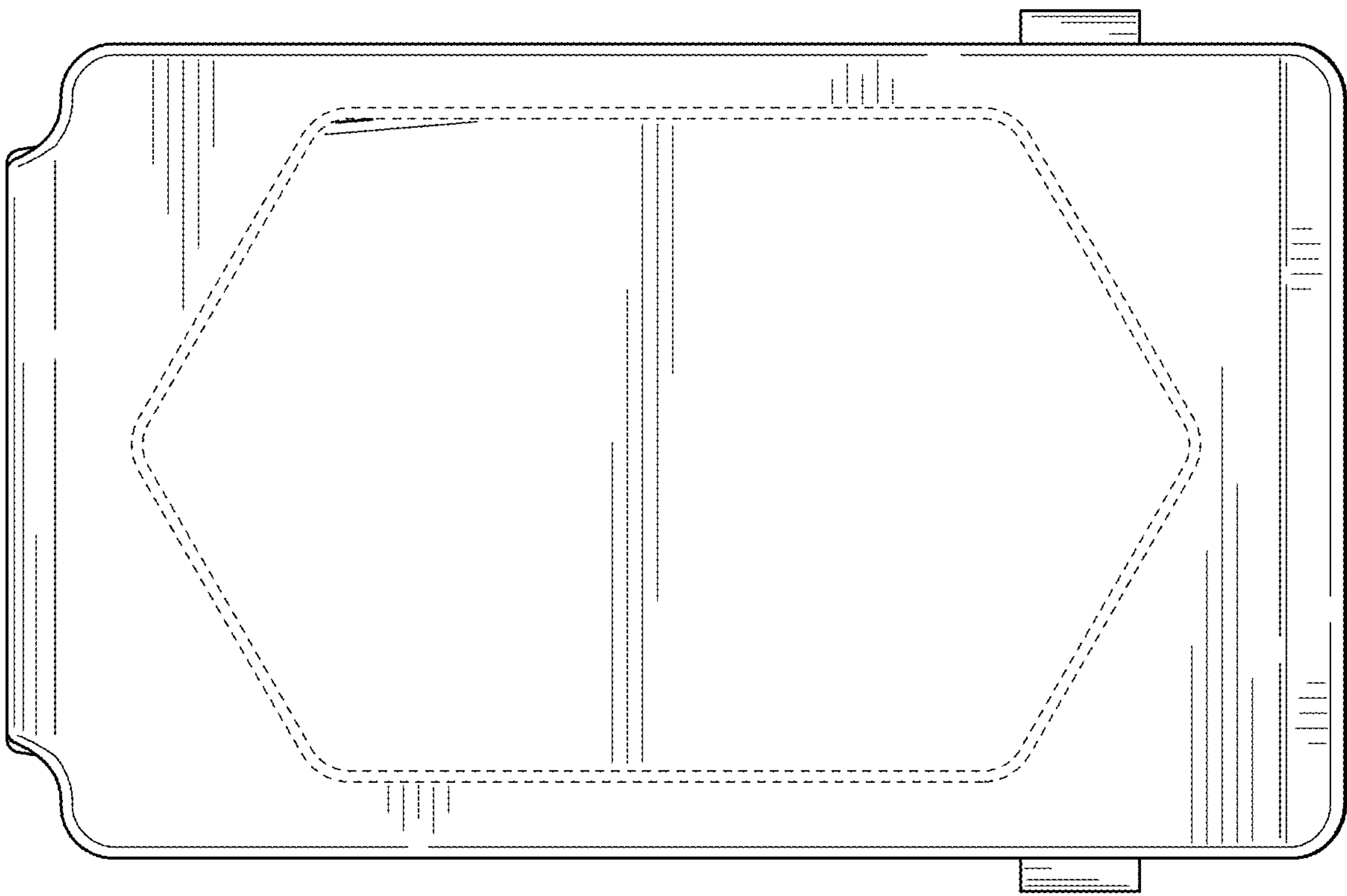


FIG. 2

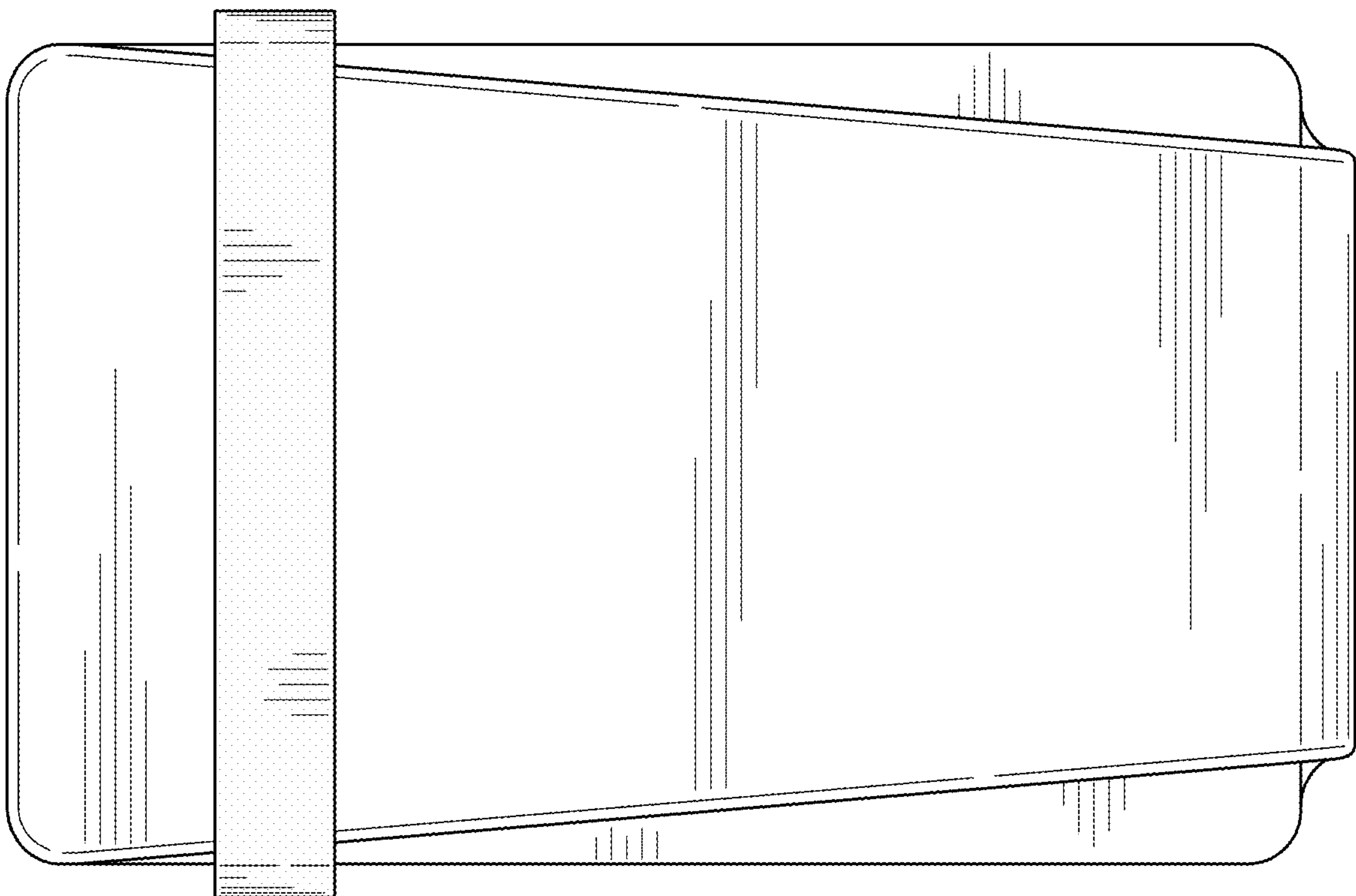


FIG. 3

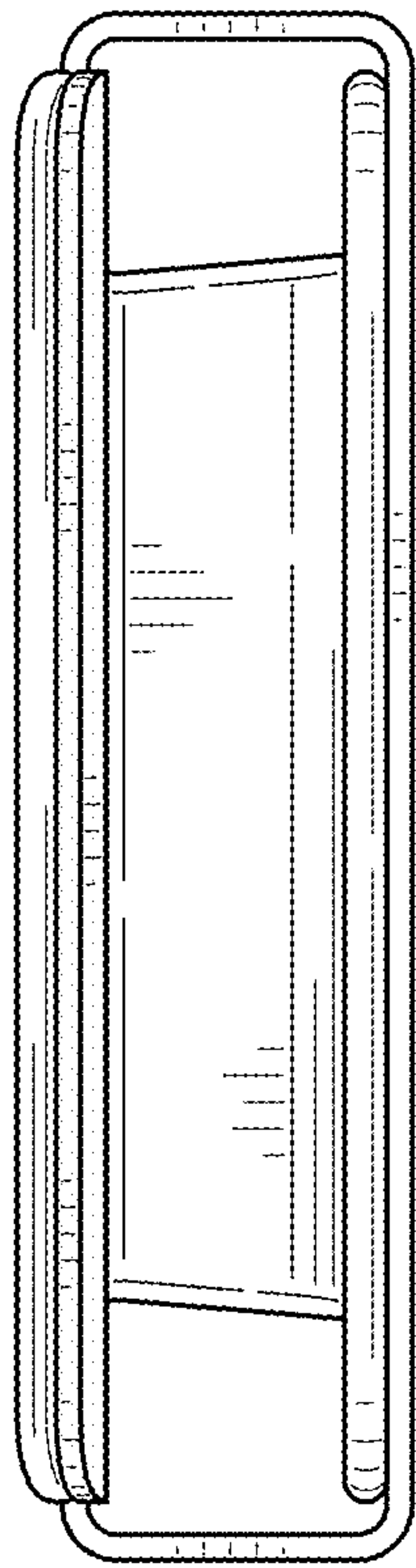


FIG. 4

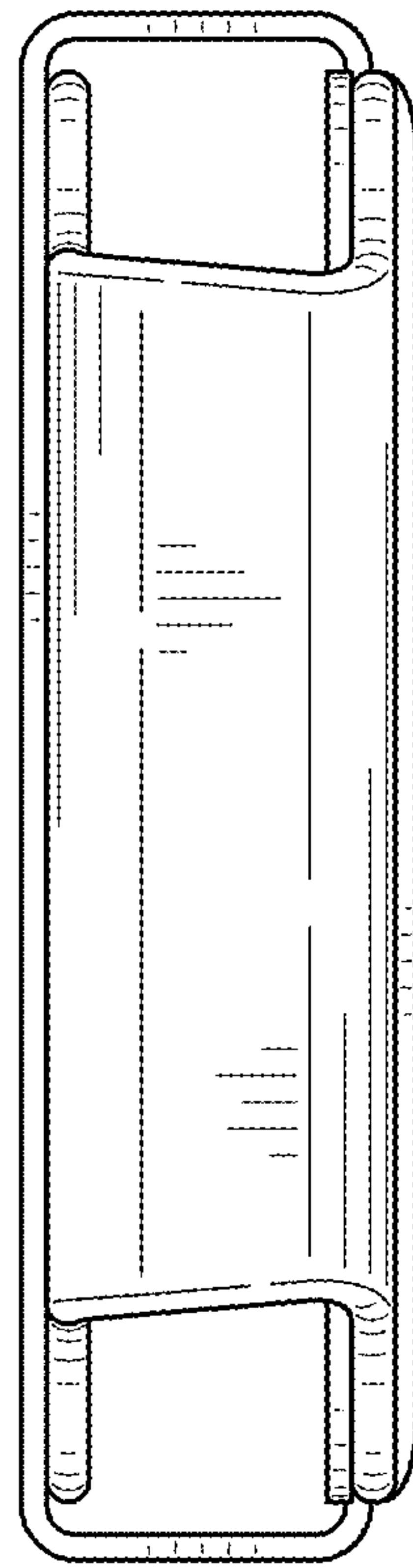


FIG. 5

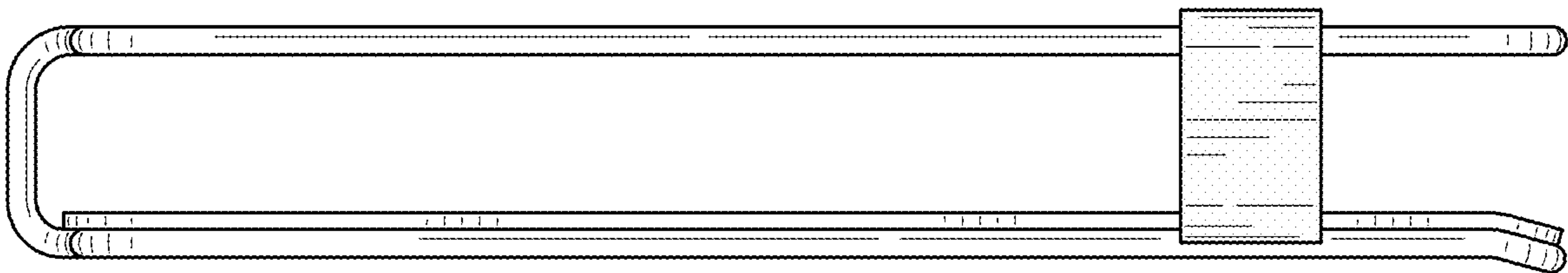


FIG. 6

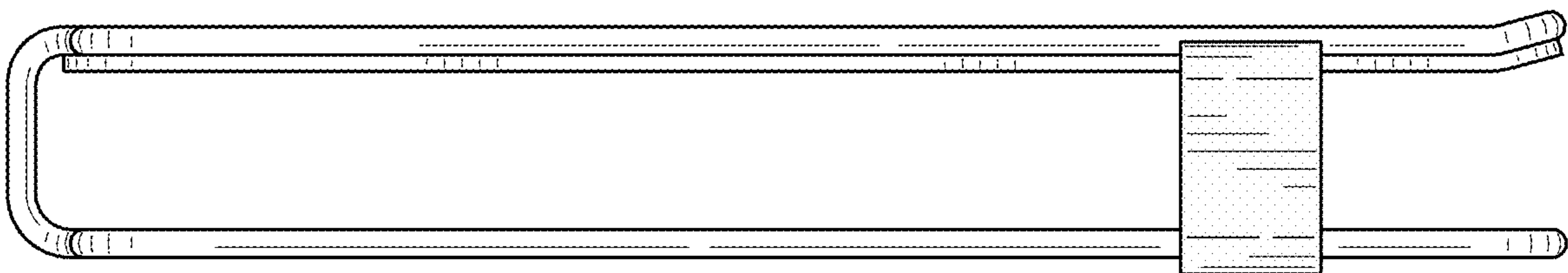


FIG. 7

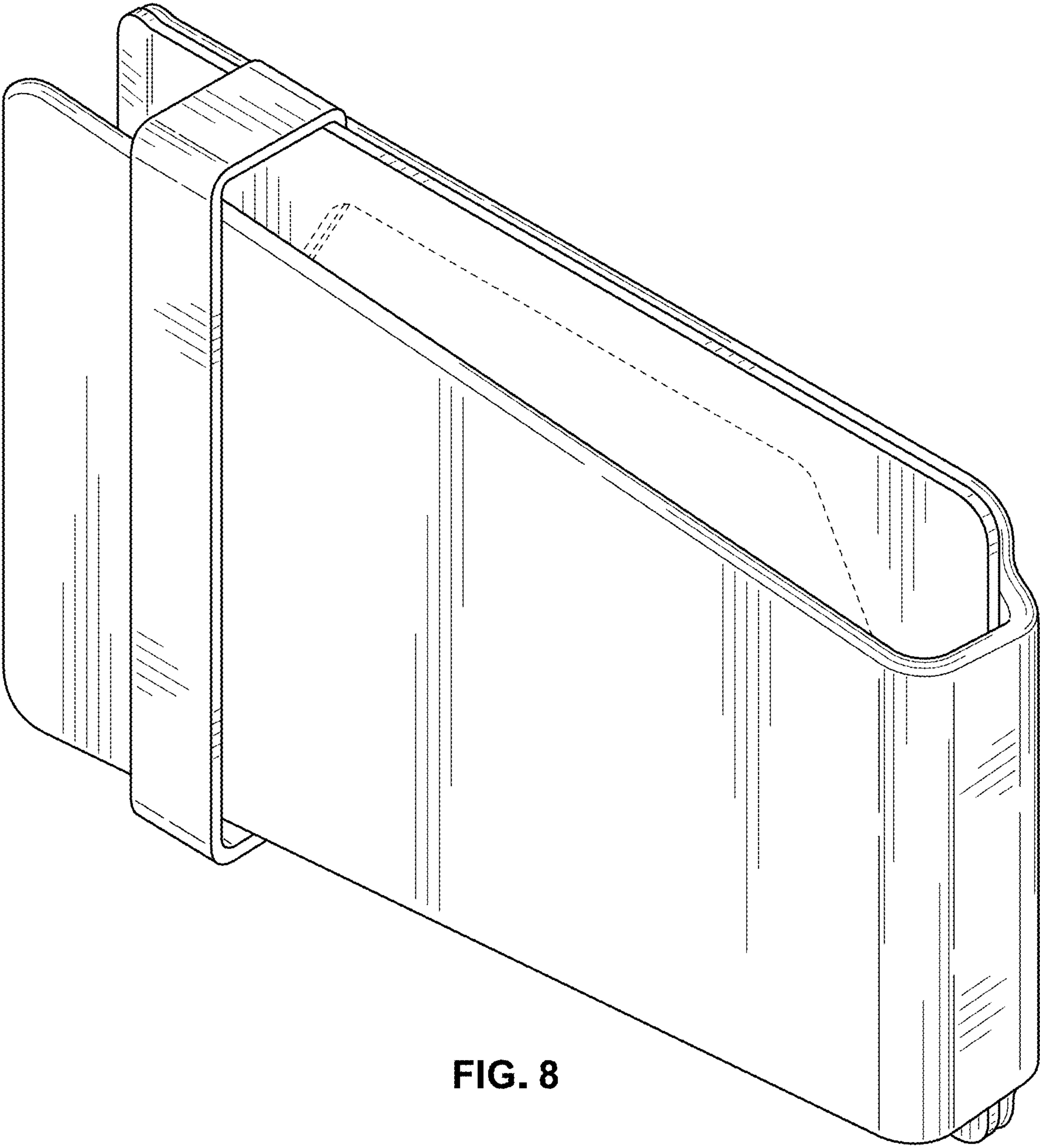


FIG. 8

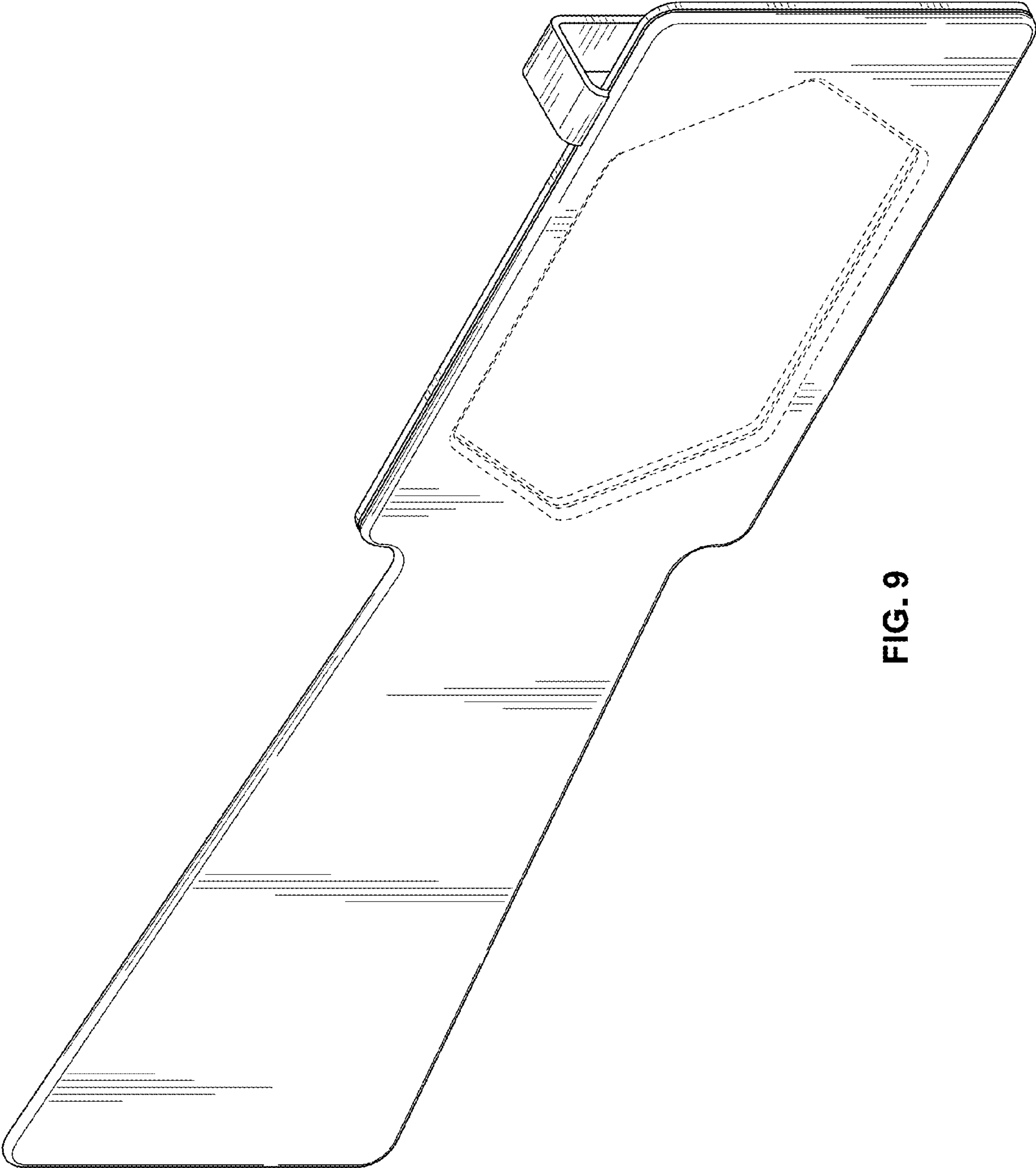


FIG. 9