



US00D898352S

(12) **United States Design Patent** (10) **Patent No.:** **US D898,352 S**  
**Hawkes** (45) **Date of Patent:** **\*\* Oct. 13, 2020**

(54) **HANDBAG**

(71) Applicant: **LOUIS VUITTON MALLETIER**,  
Paris (FR)

(72) Inventor: **Erin Hawkes**, Paris (FR)

(73) Assignee: **LOUIS VUITTON MALLETIER**,  
Paris (FR)

(\*\*) Term: **15 Years**

(21) Appl. No.: **29/657,780**

(22) Filed: **Jul. 25, 2018**

(51) **LOC (12) Cl.** ..... **03-01**

(52) **U.S. Cl.**  
USPC ..... **D3/245**

(58) **Field of Classification Search**  
USPC ..... D3/232–233, 240–243, 245–246  
CPC ..... A45C 1/024; A45C 3/06  
See application file for complete search history.

(56) **References Cited**

**U.S. PATENT DOCUMENTS**

D794,327 S *	8/2017	Venturini Fendi	.....	D3/245
D814,181 S *	4/2018	Morelli	.....	D3/245
D818,266 S *	5/2018	Hawkes	.....	D3/232

\* cited by examiner

*Primary Examiner* — Holly H Baynham

(74) *Attorney, Agent, or Firm* — Fross Zelnich Lehrman  
& Zissu, P.C.; Charles T. J. Weigell, Esq.

(57) **CLAIM**

The ornamental design for a handbag, as shown and described.

**DESCRIPTION**

FIG. 1 is a front perspective view of a handbag showing my new design;

FIG. 2 is a front view thereof;

FIG. 3 is a back view thereof;

FIG. 4 is a right side view thereof;

FIG. 5 is a left side view thereof;

FIG. 6 is a top view thereof; and,

FIG. 7 is a bottom view thereof.

The dotted line depiction of the bag strap is environmental matter and forms no part of the claim.

**1 Claim, 7 Drawing Sheets**





FIG. 1

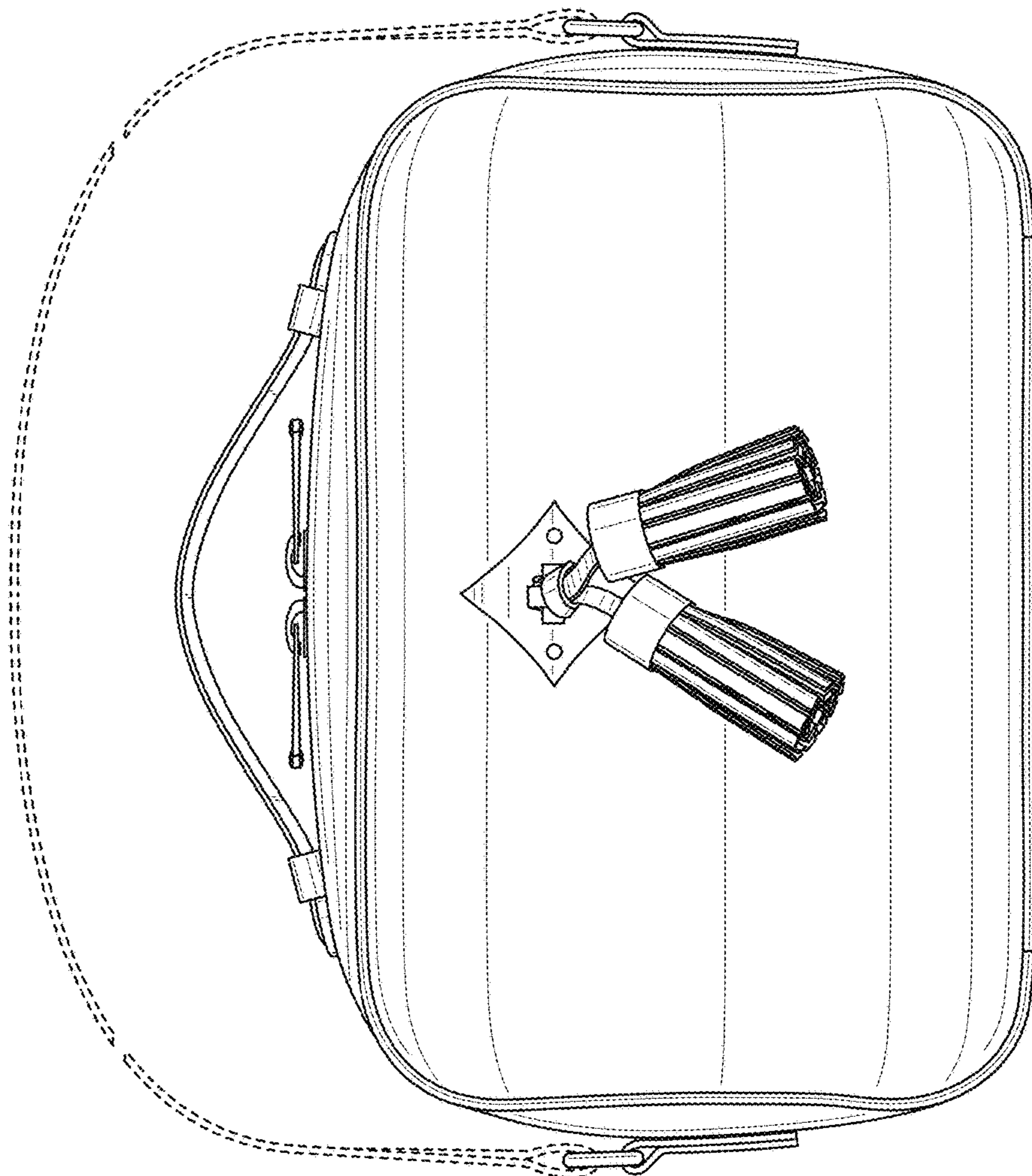


FIG. 2

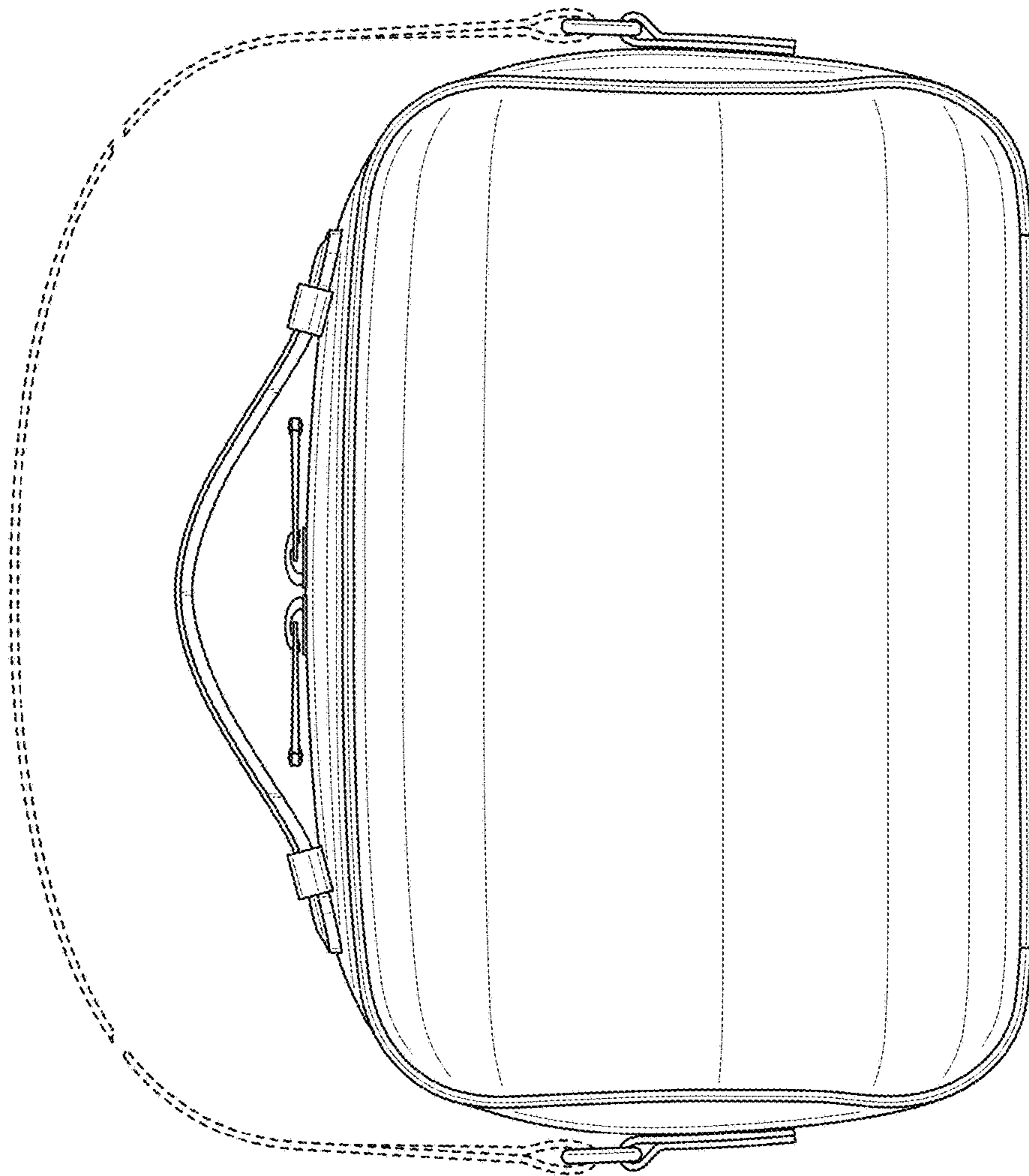


FIG. 3

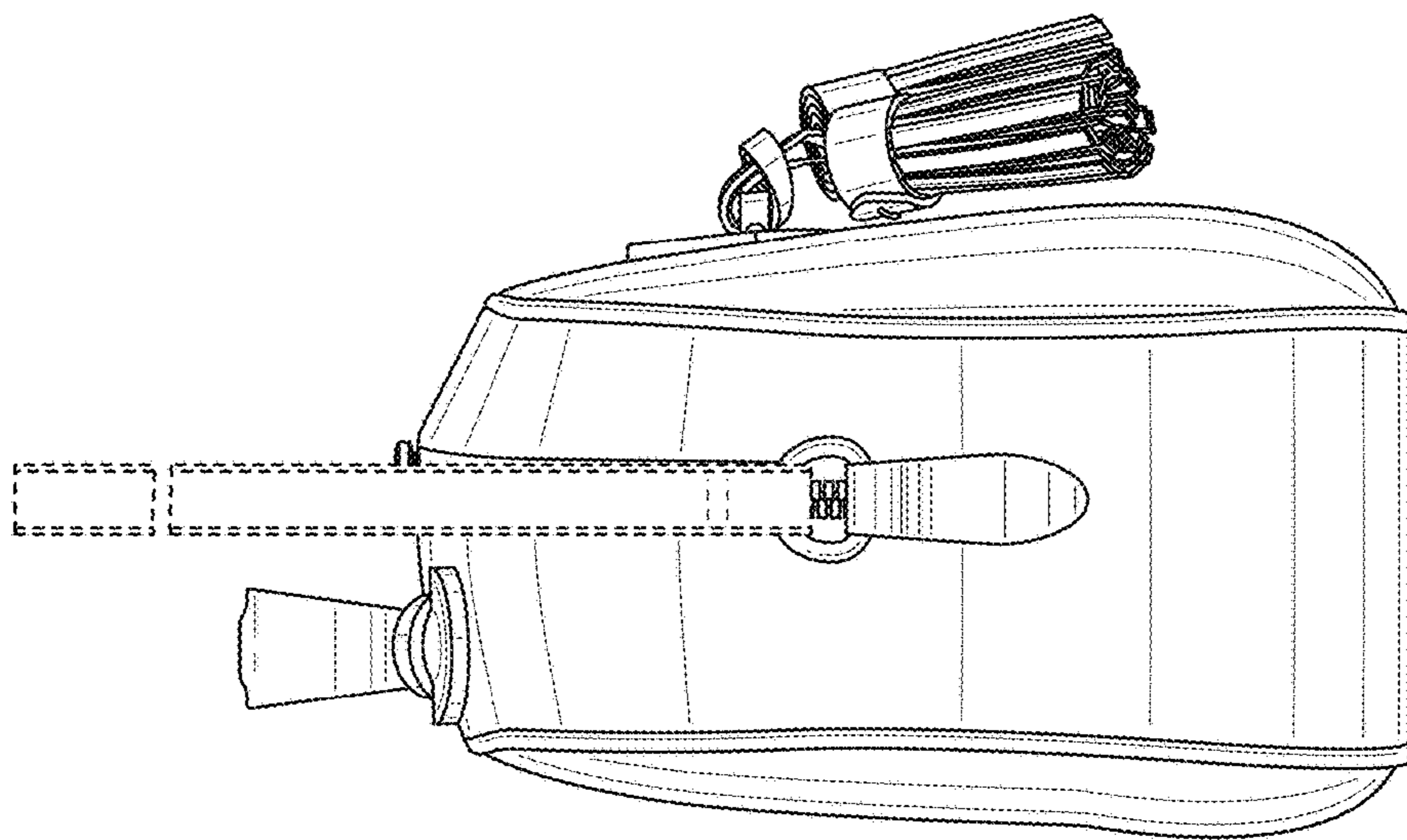


FIG. 4

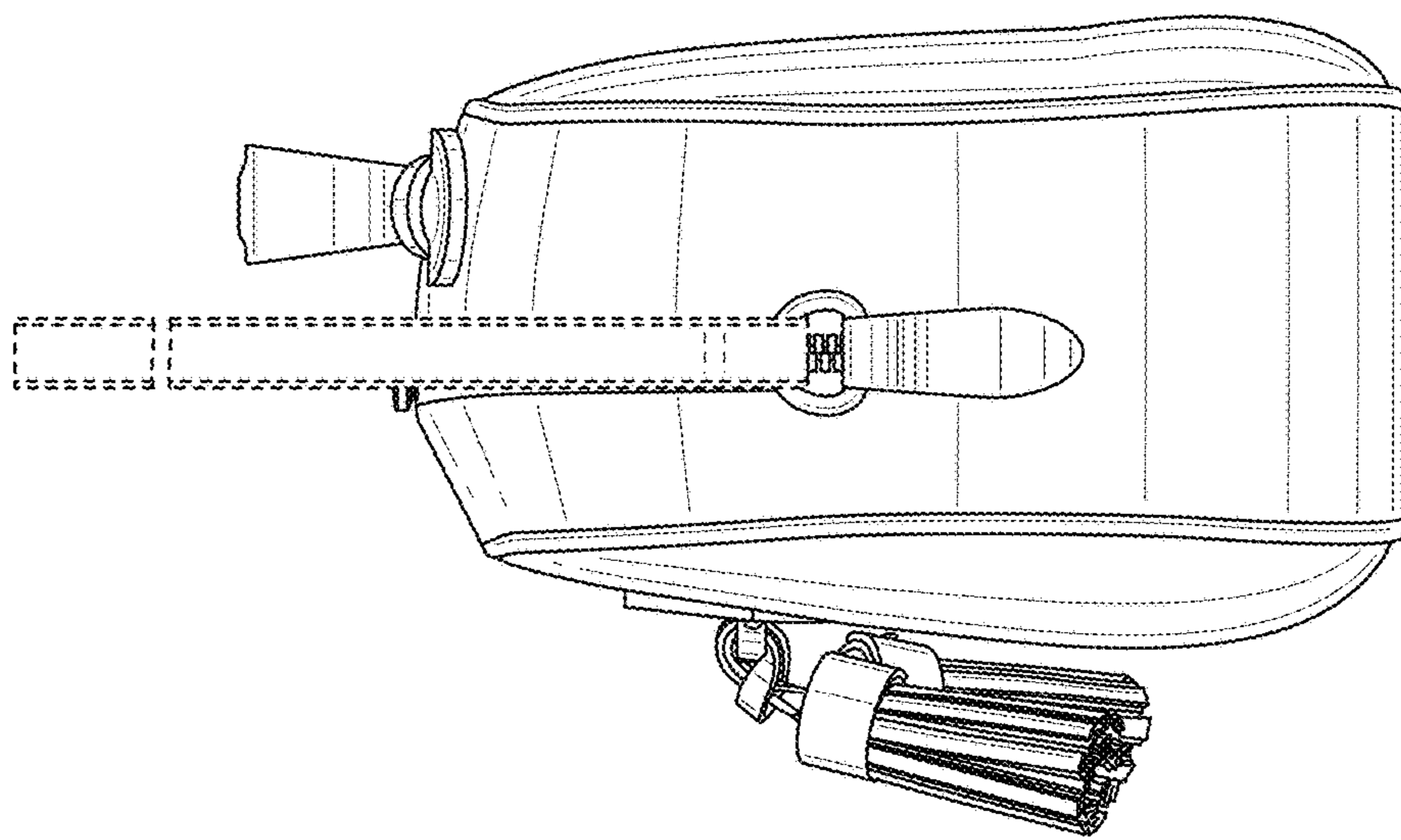


FIG. 5

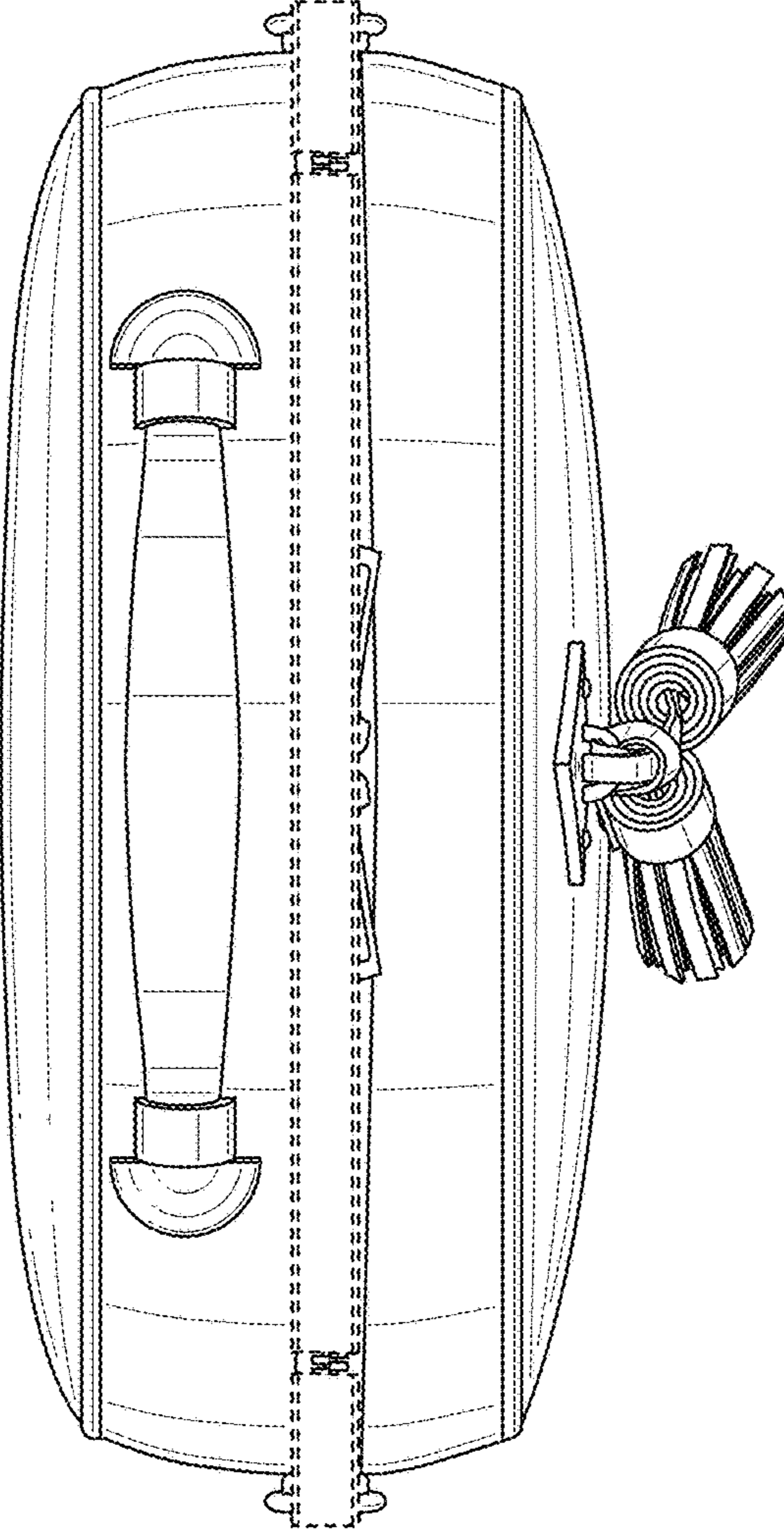


FIG. 6

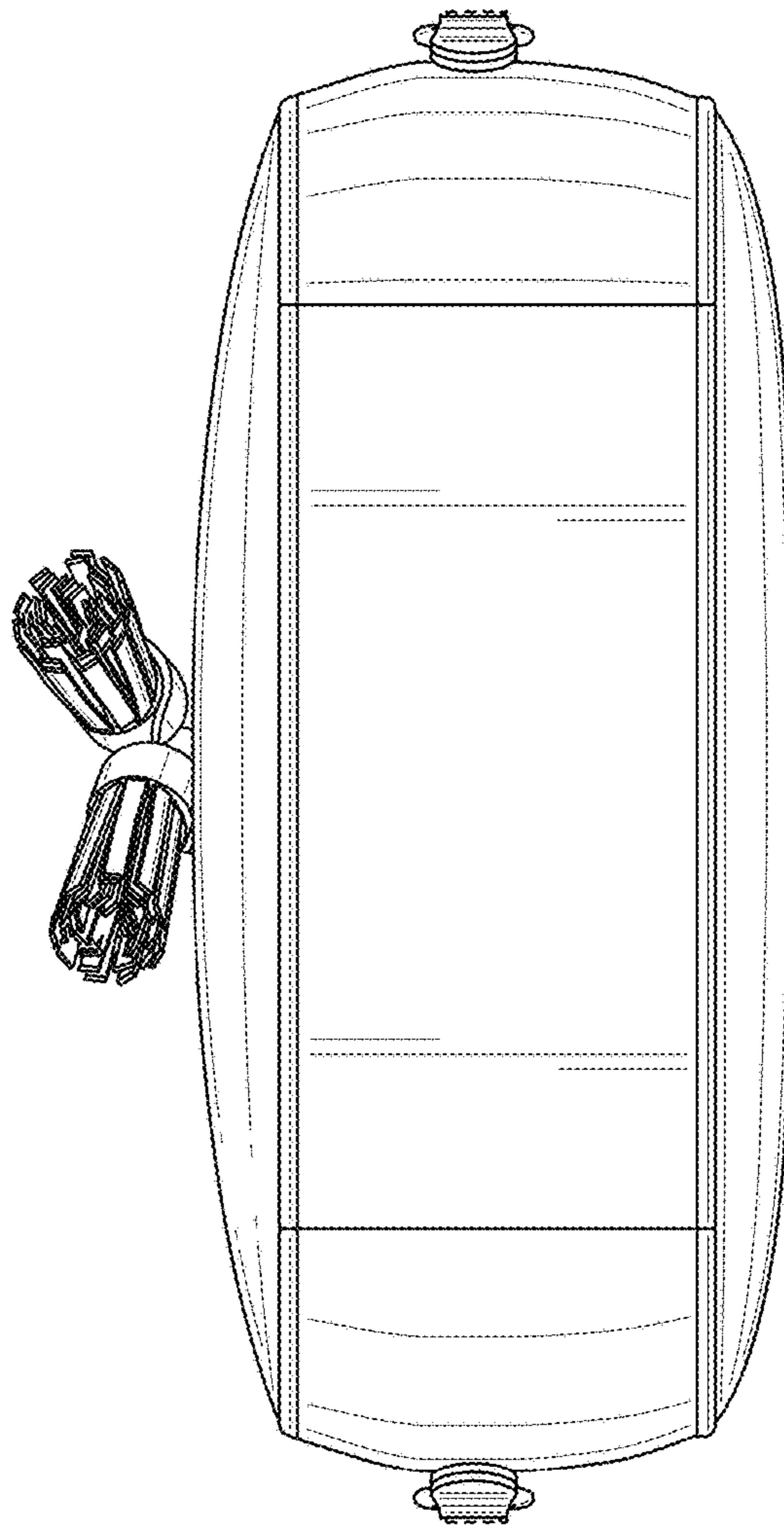


FIG. 7