



US00D898350S

(12) **United States Design Patent** (10) **Patent No.:** **US D898,350 S**
Peng (45) **Date of Patent:** **** Oct. 13, 2020**

(54) **BACKPACK**
(71) Applicant: **XINDAO SHANGHAI CO. LTD.,**
Shanghai (CN)
(72) Inventor: **Zhao Sheng Peng,** Shanghai (CN)
(73) Assignee: **Xindao (Shanghai) Co., Ltd.,** Shanghai
(CN)
(**) Term: **15 Years**
(21) Appl. No.: **35/504,064**
(22) Filed: **Nov. 9, 2017**

D511,620 S * 11/2005 Van Himbeeck D3/217
D551,853 S * 10/2007 Smeuninx D3/217
D710,085 S * 8/2014 Szewczyk D3/217
D739,653 S * 9/2015 Majeau D3/217
D783,272 S * 4/2017 Burton A41D 15/04
D3/217
2002/0139820 A1 * 10/2002 Godshaw A45F 3/04
224/153
2010/0282809 A1 * 11/2010 Scicluna A45C 7/0095
224/653
2015/0320183 A1 * 11/2015 Donahue A45F 3/042
224/600
2016/0278506 A1 * 9/2016 Amago A45F 3/04
2018/0146756 A1 * 5/2018 Meservey A45C 9/00
2018/0303213 A1 * 10/2018 Pusey A45C 13/02
2019/0082817 A1 * 3/2019 Ji A45F 4/02

* cited by examiner

(80) **Hague Agreement Data**
Int. Filing Date: **Sep. 21, 2017**
Int. Reg. No.: **DM/098475**
Int. Reg. Date: **Nov. 9, 2017**
Int. Reg. Pub. Date: **Dec. 1, 2017**

Primary Examiner — Mary Ann Calabrese
(74) *Attorney, Agent, or Firm* — Kilpatrick Townsend &
Stockton LLP

(51) **LOC (12) Cl.** **03-01**
(52) **U.S. Cl.**
USPC **D3/217**
(58) **Field of Classification Search**
USPC D3/201, 215, 216–217, 213–214,
D3/232–233, 240–243, 245–246, 273,
D3/276, 289, 294, 301, 302, 303, 318
CPC A45C 1/024; A45C 3/06
See application file for complete search history.

(57) **CLAIM**

The ornamental design for a backpack, as shown and described.

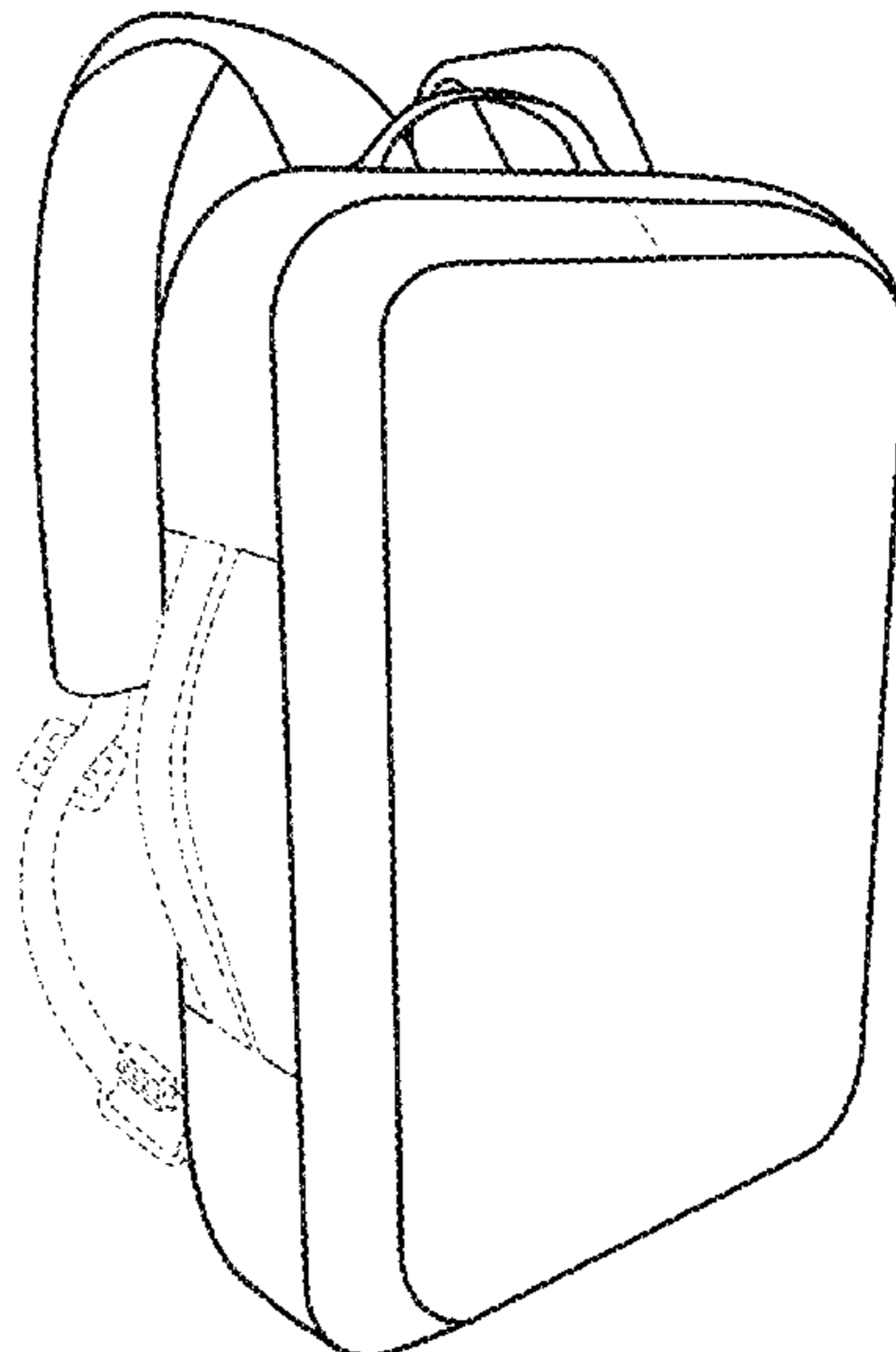
DESCRIPTION

(56) **References Cited**
U.S. PATENT DOCUMENTS

5,165,111 A * 11/1992 Lieberman A41D 15/04
2/108
5,706,992 A * 1/1998 Moor A45F 3/04
190/102
D392,094 S * 3/1998 Lane D3/217
D421,523 S * 3/2000 Freyer D3/216
D446,008 S * 8/2001 Schulze D3/216

1. Backpacks
FIG. 1.1 is a front perspective view of the backpack;
FIG. 1.2 is front view thereof;
FIG. 1.3 is a front and side perspective view of the backpack
showing an interior compartment;
FIG. 1.4 is a top view thereof; and
FIG. 1.5 is a back view thereof, showing the straps in an
alternate position.
The broken line showing on the drawing disclosure is for
illustrating portions of the backpack that form no part of the
claimed design.
The claimed design is used not only for a backpack, but also
for a briefcase.

1 Claim, 5 Drawing Sheets



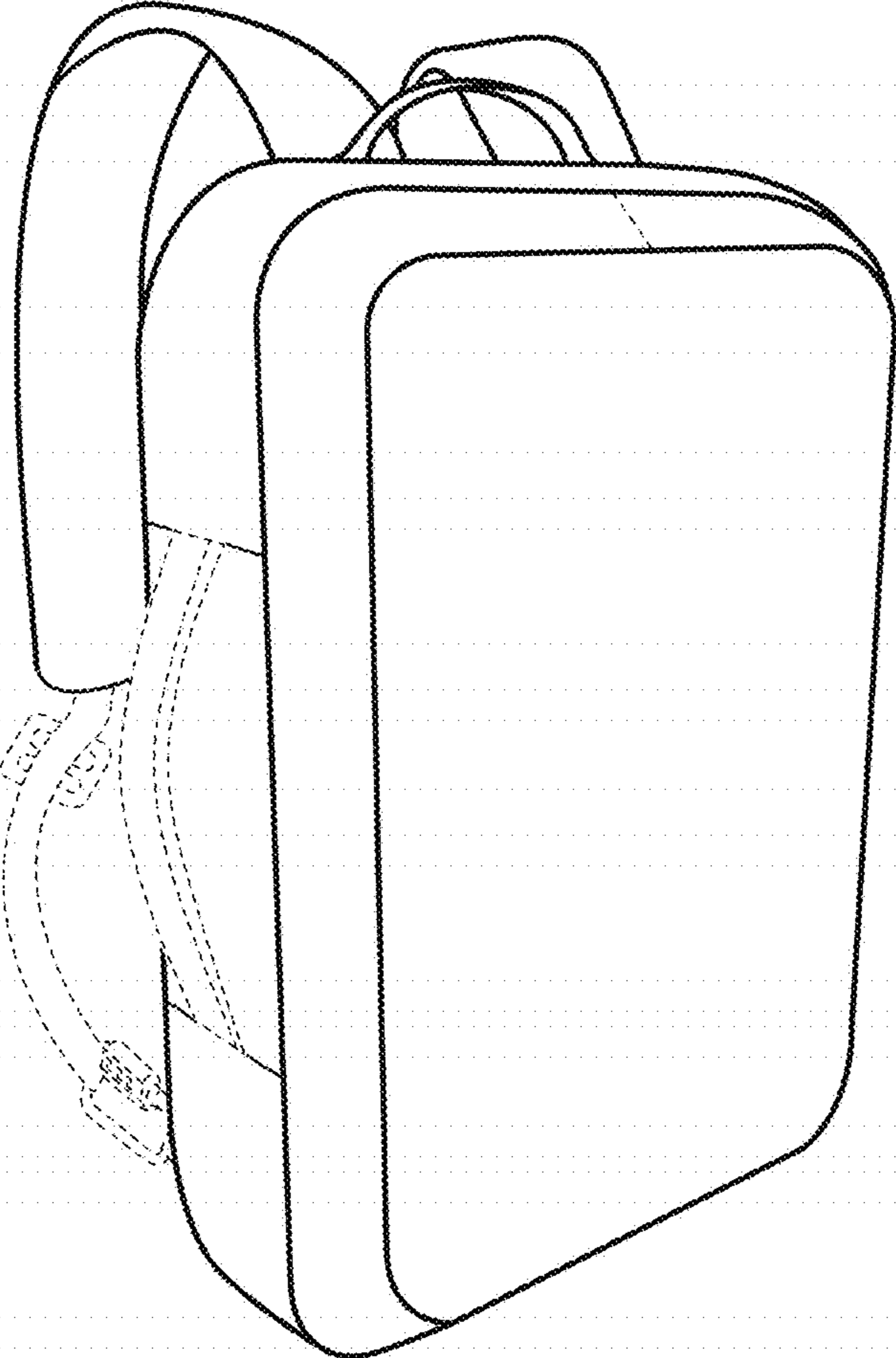


FIG. 1.1

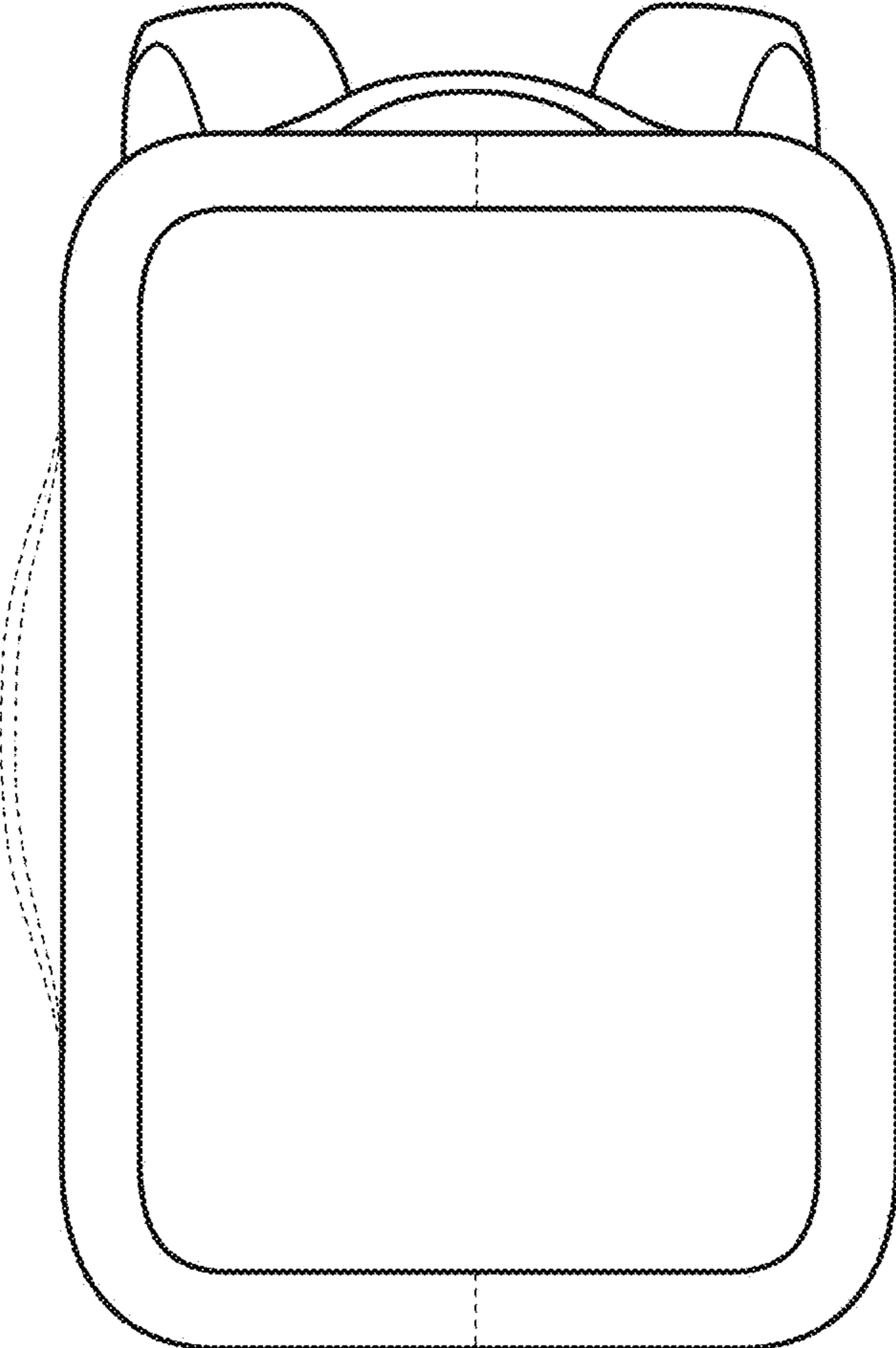


FIG. 1.2

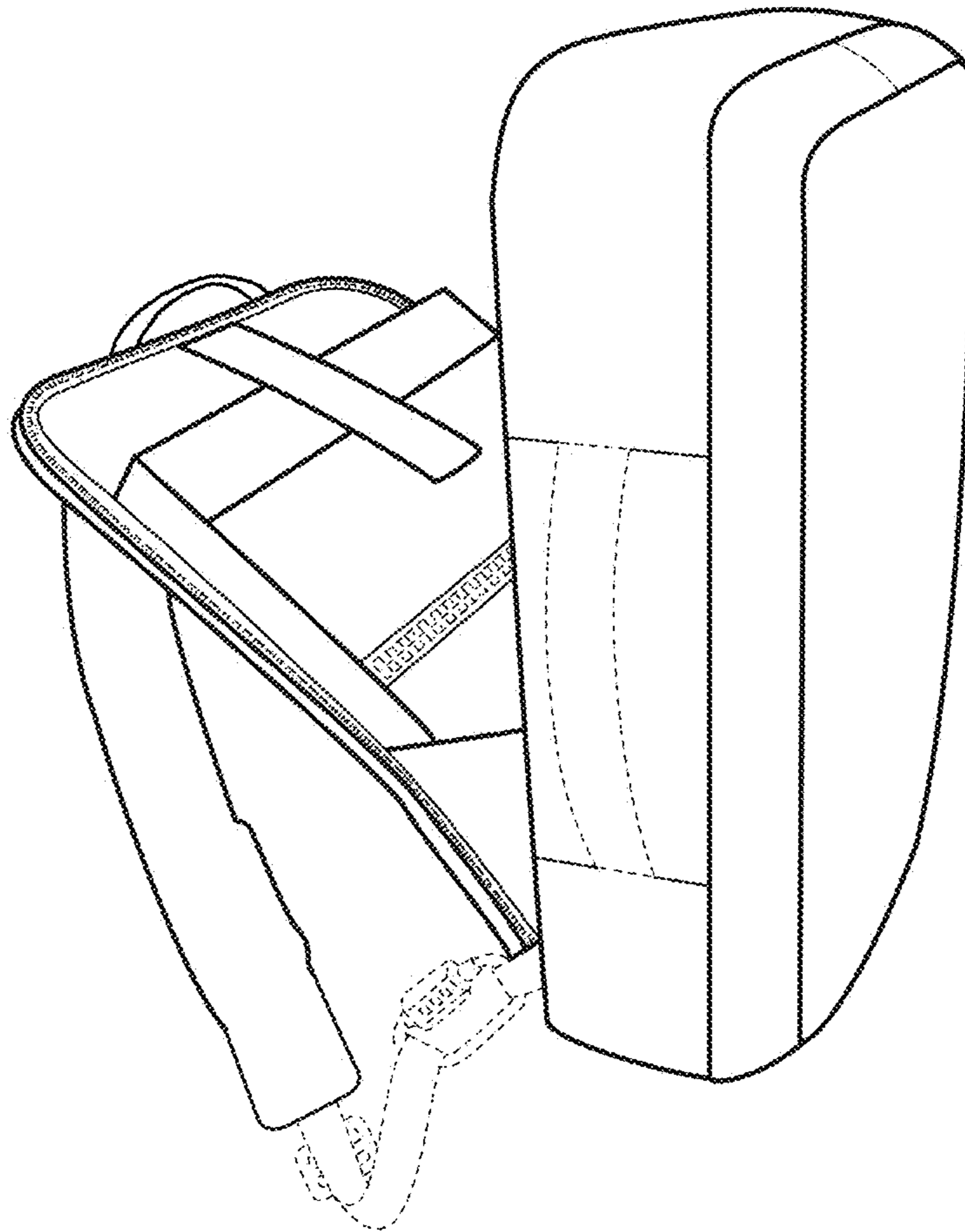


FIG. 1.3

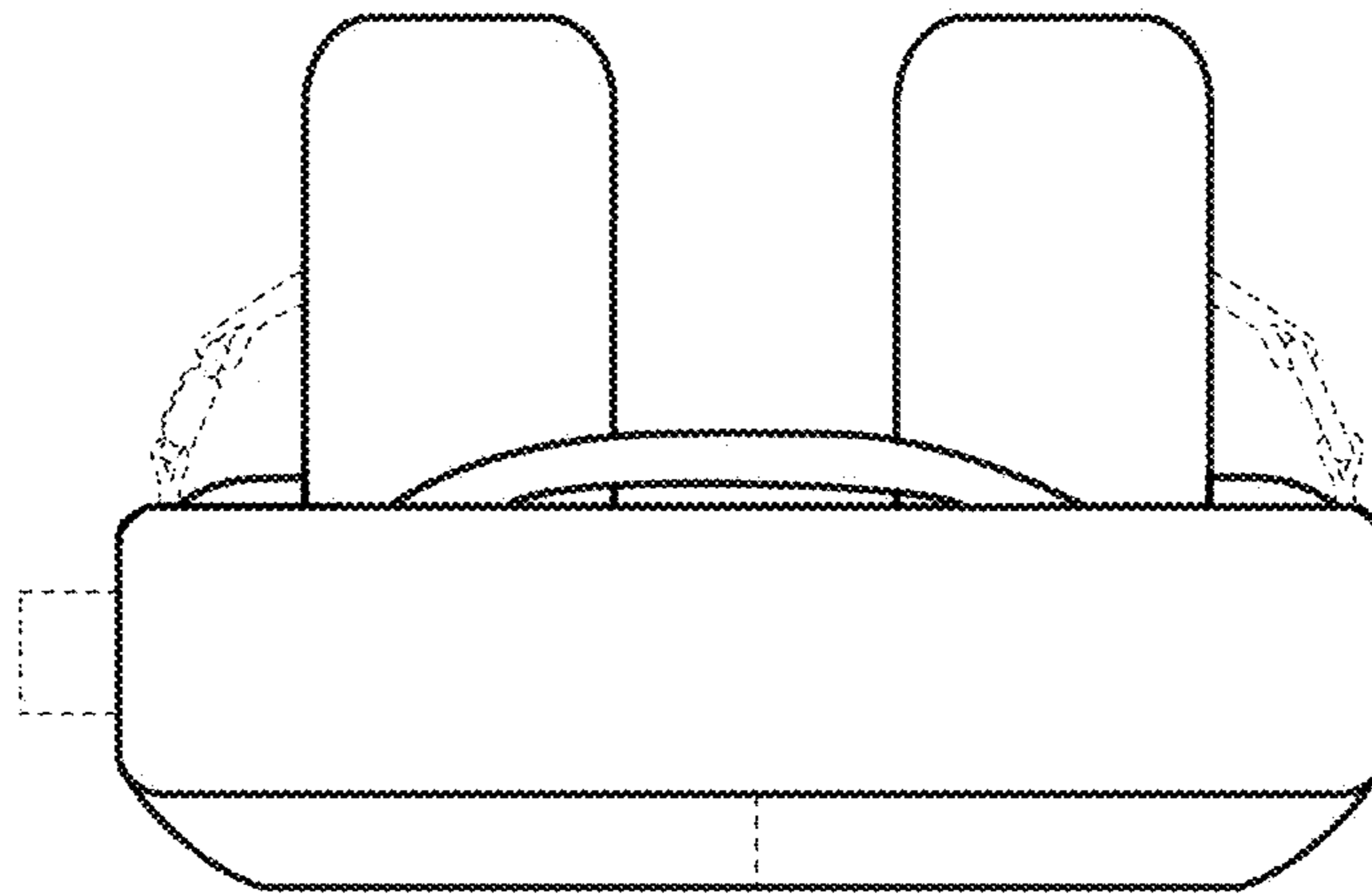


FIG. 1.4

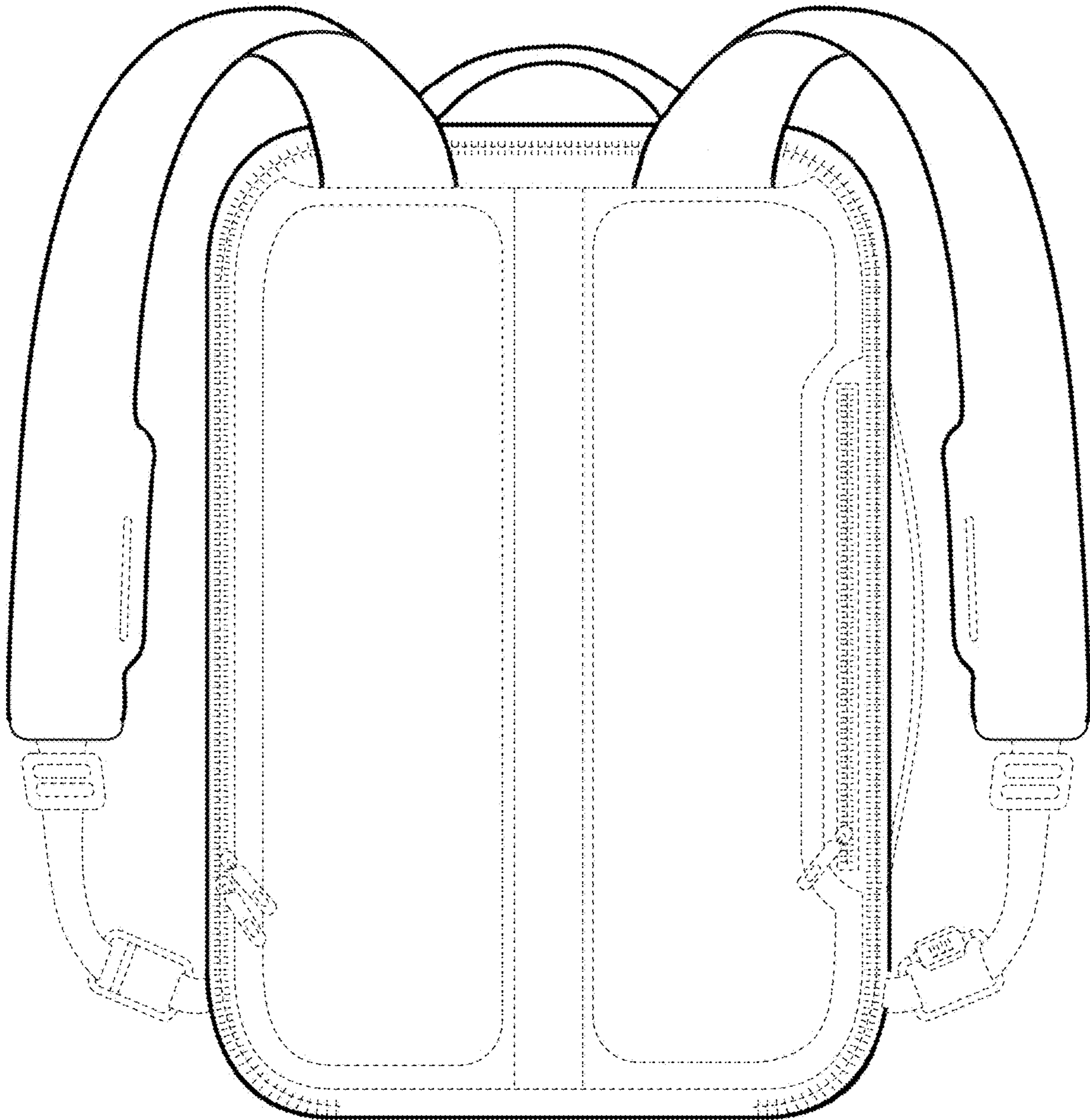


FIG. 1.5