



US00D898349S

(12) **United States Design Patent** (10) **Patent No.:** **US D898,349 S**
He (45) **Date of Patent:** **** Oct. 13, 2020**

(54) **DIAPER BAG**

(71) Applicant: **SongWen He**, Dao (CN)

(72) Inventor: **SongWen He**, Dao (CN)

(**) Term: **15 Years**

(21) Appl. No.: **29/665,125**

(22) Filed: **Oct. 1, 2018**

(51) **LOC (12) Cl.** **03-01**

(52) **U.S. Cl.**
USPC **D3/217**

(58) **Field of Classification Search**
USPC D3/216, 217, 274, 276, 279, 283, 289,
D3/290, 321, 900, 902, 243, 226
CPC . A45F 3/04; A45F 3/047; A45C 15/00; A45C
3/00
See application file for complete search history.

(56) **References Cited**

U.S. PATENT DOCUMENTS

D403,853 S *	1/1999	Lothrop	D3/216
D487,189 S *	3/2004	Ukitsu	D3/215
D517,800 S *	3/2006	de Baschmakoff	D3/216
D690,095 S *	9/2013	Garcia	D3/217
D707,040 S *	6/2014	Pittman	D3/205
D798,043 S *	9/2017	Sassi	D3/217
D833,141 S *	11/2018	Carter	D3/217
D836,334 S *	12/2018	Chung	A45F 3/042 D3/243
D872,992 S *	1/2020	He	D3/217
D874,815 S *	2/2020	Wells	D3/203.1

OTHER PUBLICATIONS

Amazon uk, "Pipi bear Baby Nappy Changing Backpack Bag— Large-Capacity, Multi-Functional, New Fashion (Black)", First on

sale Oct. 4, 2018. (<https://www.amazon.co.uk/Pipi-bear-Nappy-Changing-Backpack/dp/B07J2GCRK1>) (Year: 2018).*

Amazon, "Citi Navigator Diaper Bag Backpack/Stroller Clips, Changing pad, and Insulated Bottle Holder/Diaper Bag for Dad or Mom/Waterproof Diaper Bag/Organized Backpack (Saddle Brown)", First on sale Dec. 1, 2019. (<https://www.amazon.com/Navigator-Backpack-Insulated-Waterproof-Organized/dp/B07K7ZQ3CB>) (Year: 2019).*

* cited by examiner

Primary Examiner — April Rivas

(74) *Attorney, Agent, or Firm* — Law Offices of Steven W. Reinrieb

(57) **CLAIM**

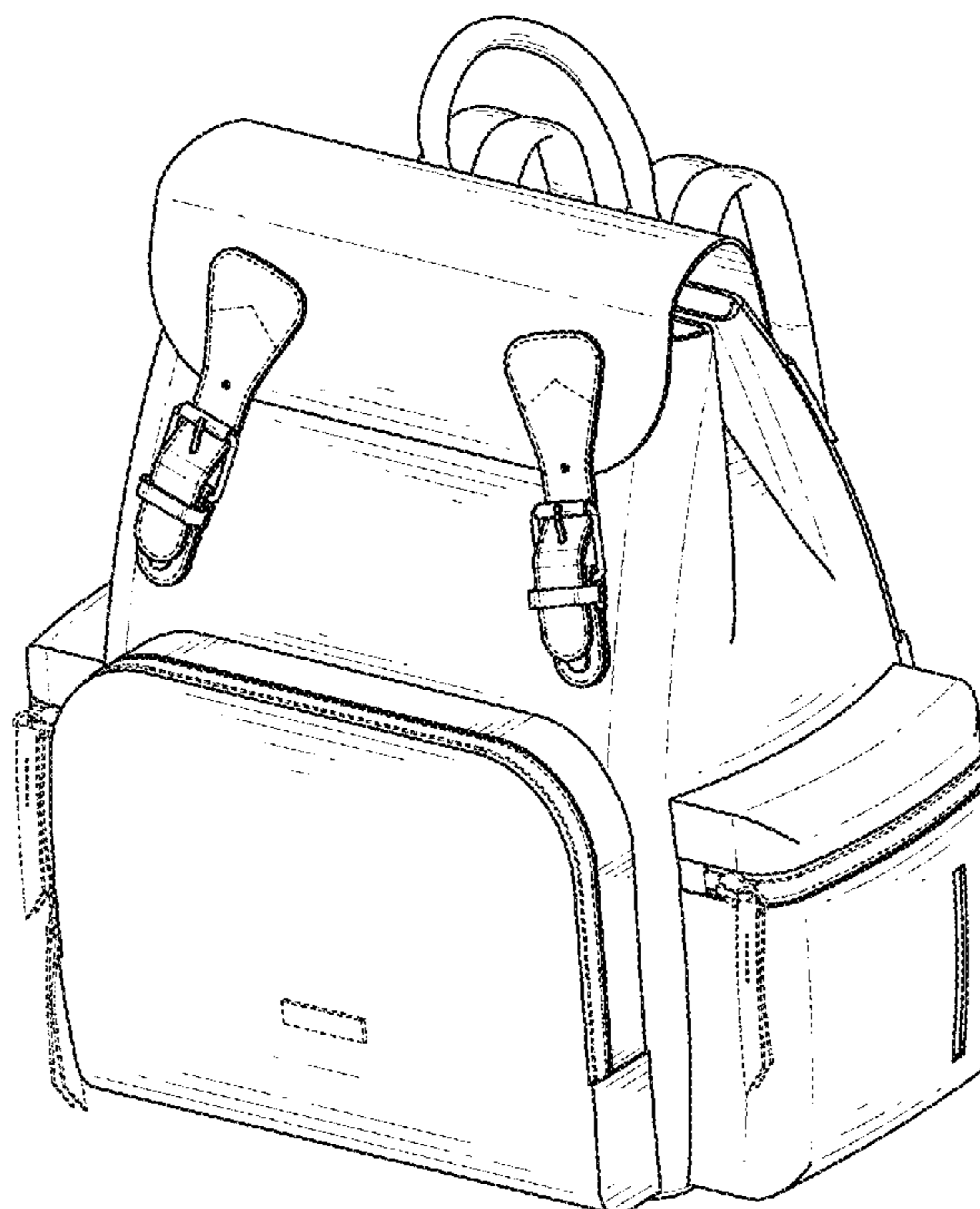
The ornamental design for a diaper bag, as shown and described.

DESCRIPTION

FIG. 1 is a front, right side, top perspective view of a diaper bag showing my new design;
FIG. 2 is a rear, right side, top perspective view thereof;
FIG. 3 is a front elevational view thereof;
FIG. 4 is a rear elevational view thereof;
FIG. 5 is a left side elevational view thereof;
FIG. 6 is a right side elevational view thereof;
FIG. 7 is a top plan view thereof; and,
FIG. 8 is a bottom plan view thereof.

The broken lines illustrate portions of the diaper bag that form no part of the claimed design.

1 Claim, 8 Drawing Sheets



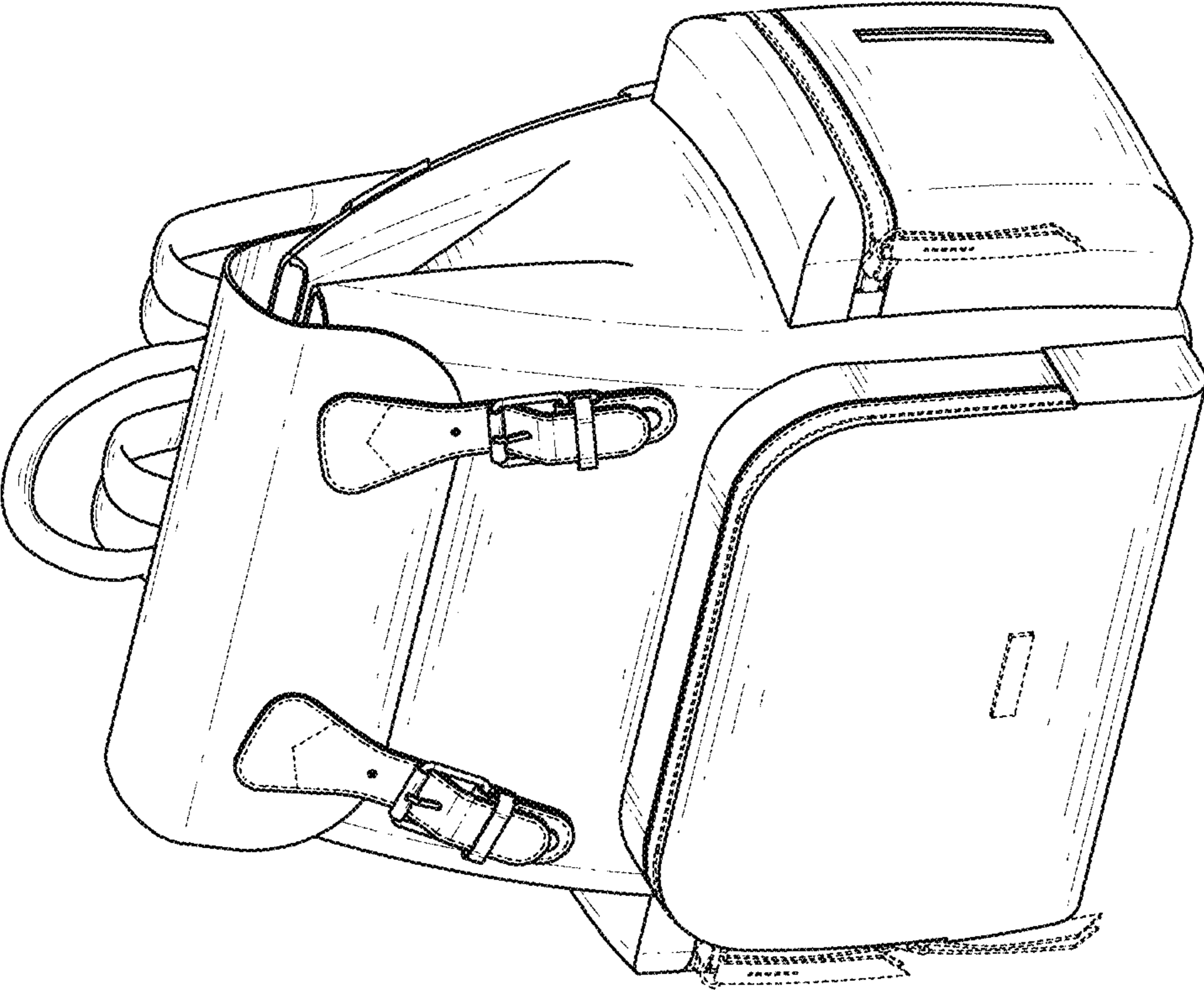


FIG. 1

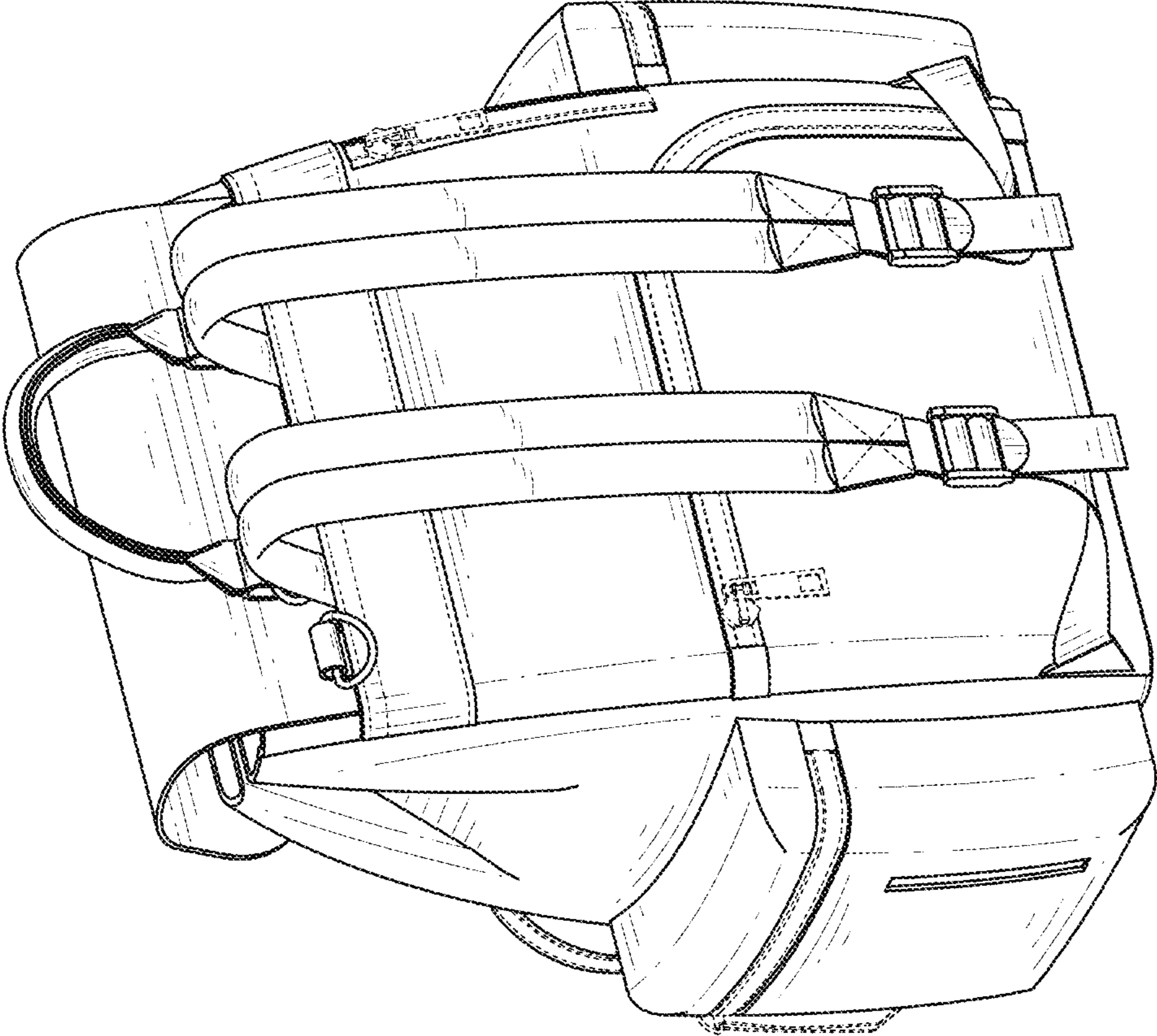


FIG. 2

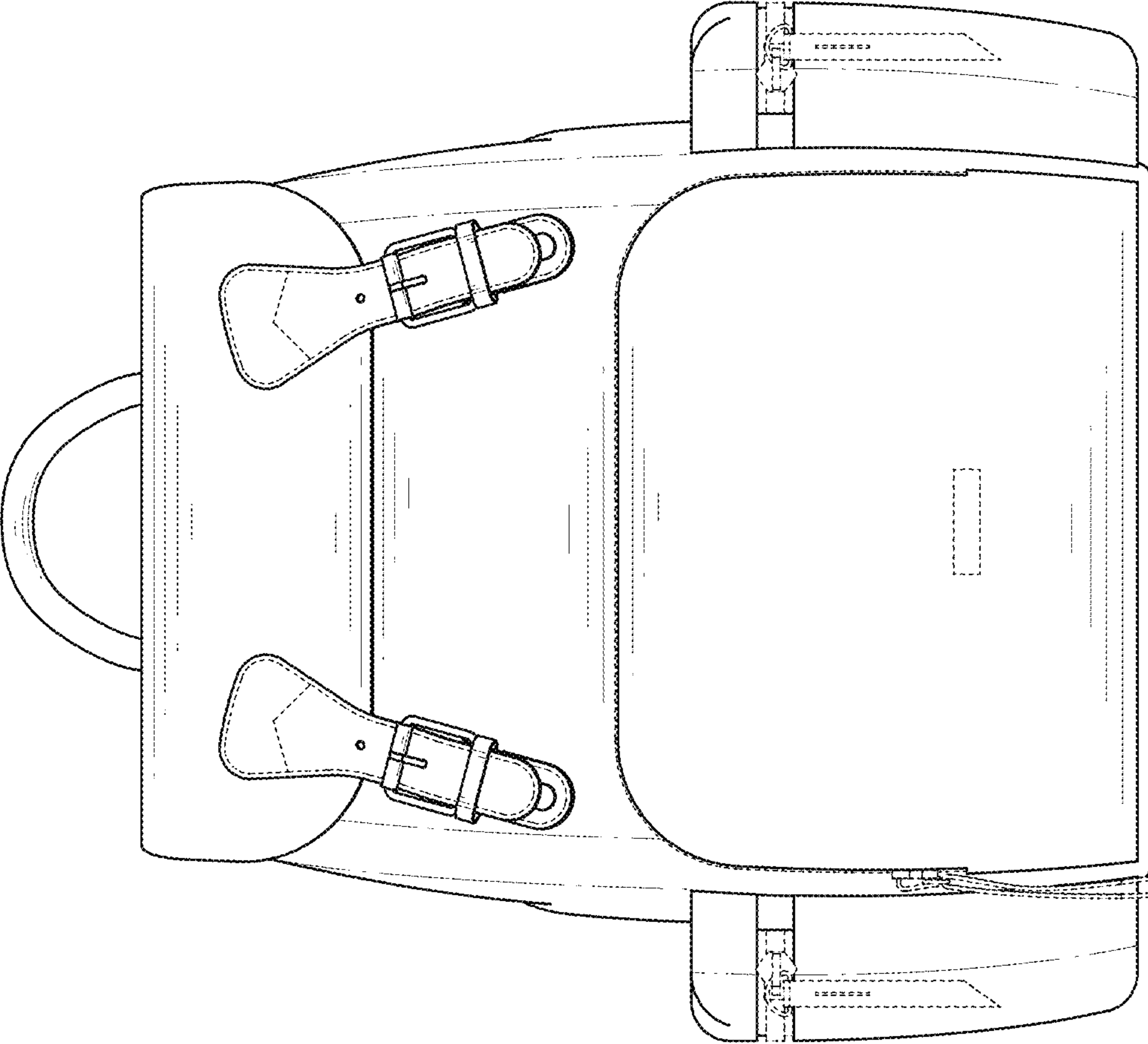


FIG. 3

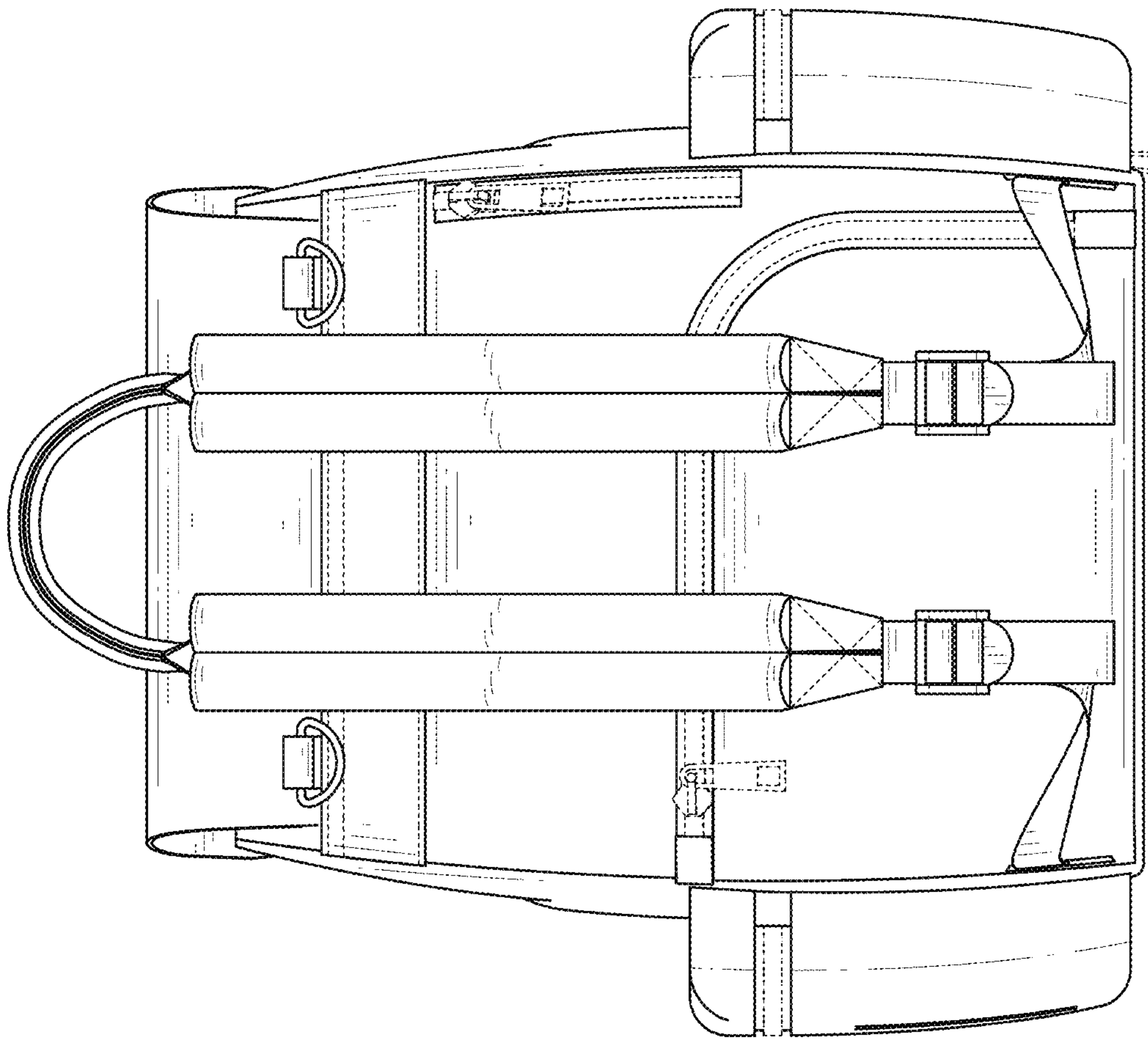


FIG. 4

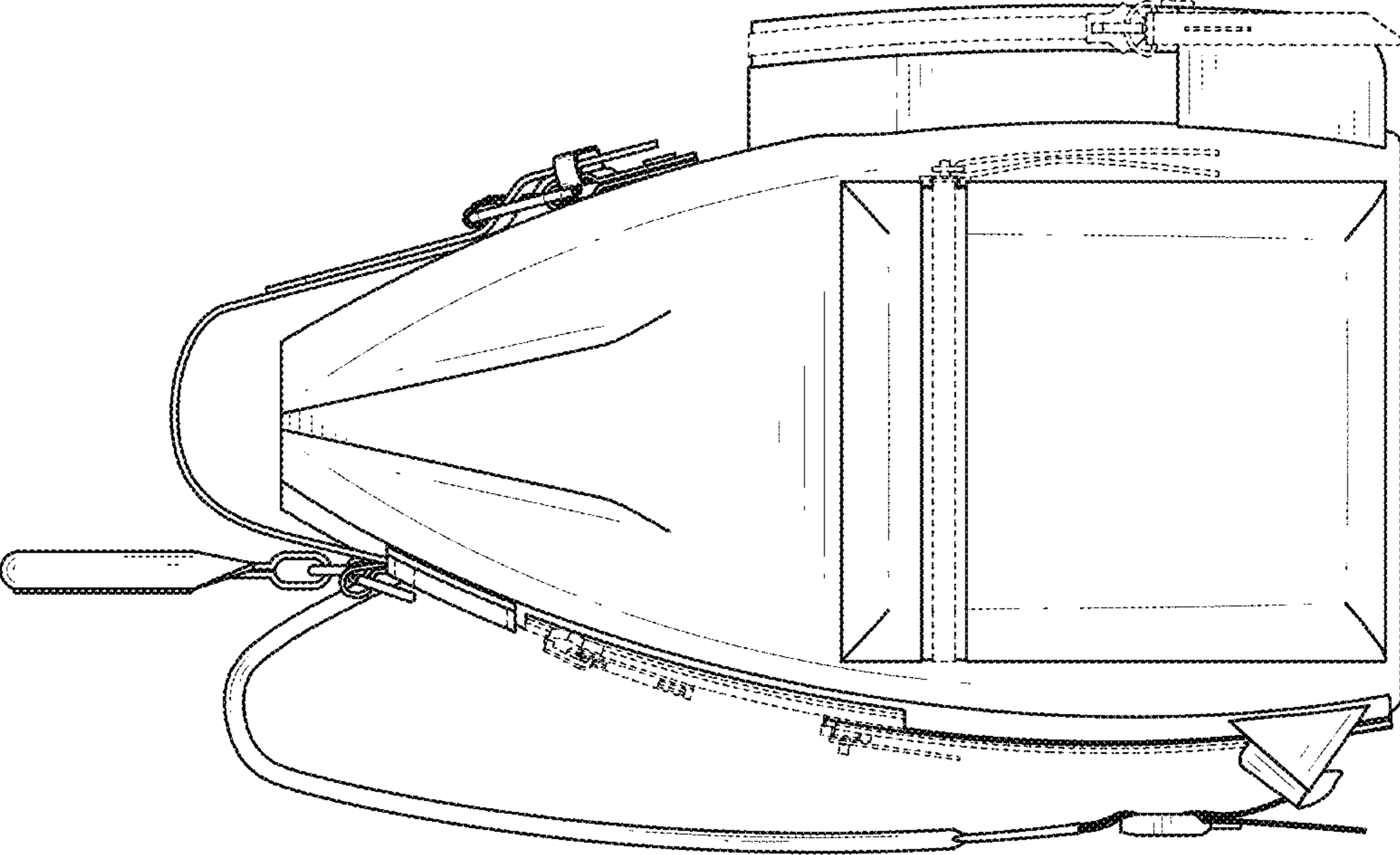


FIG. 5

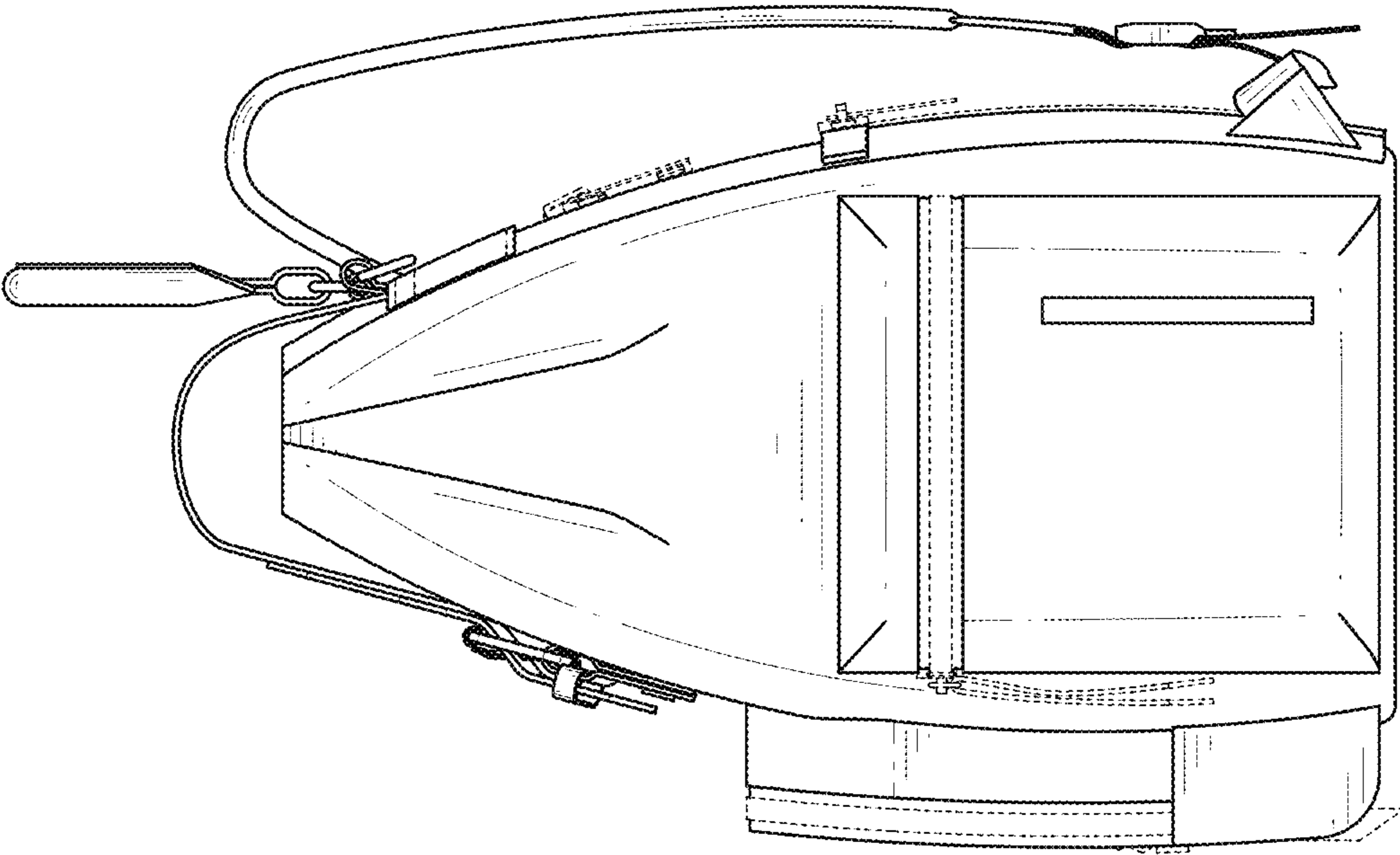


FIG. 6

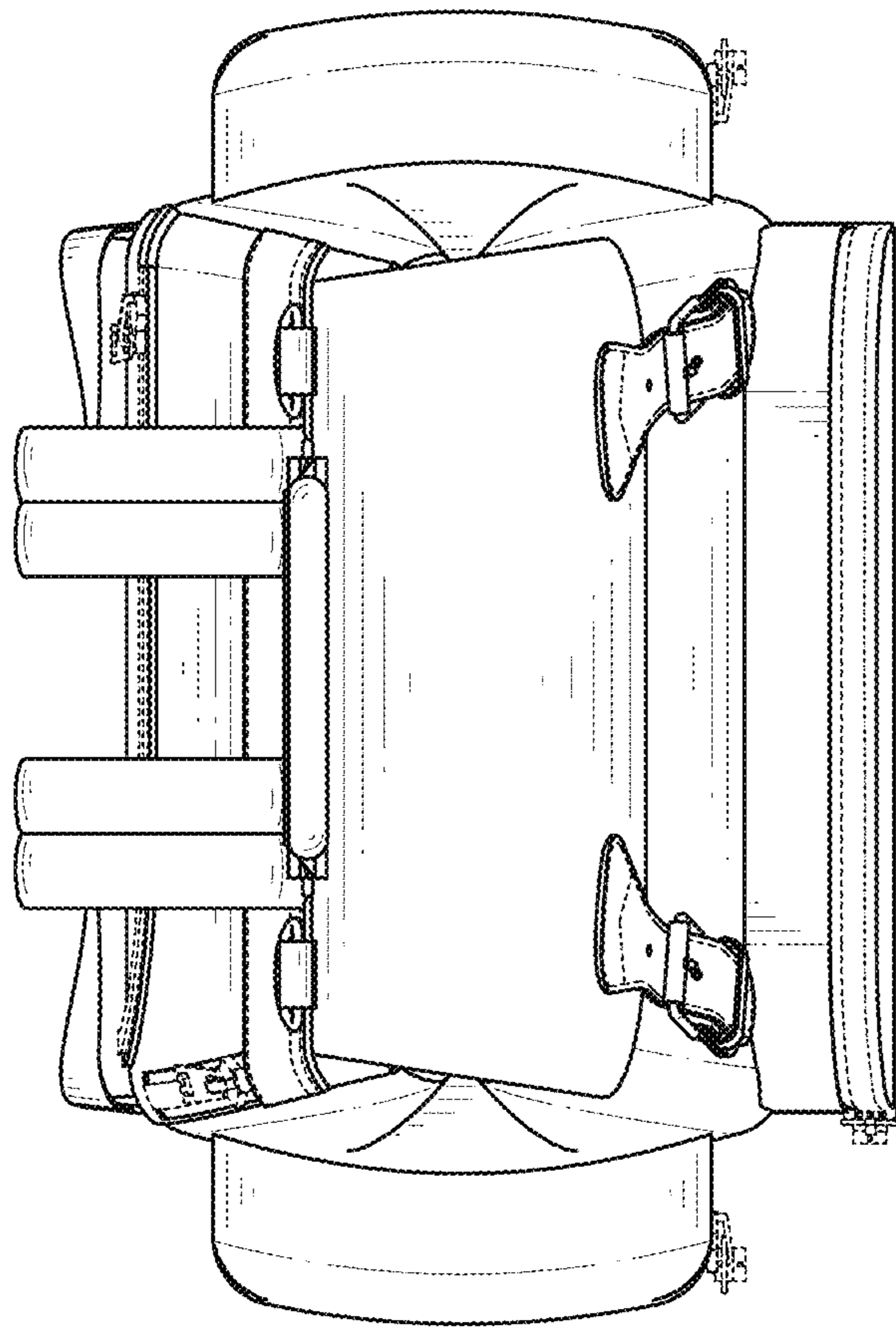


FIG. 7

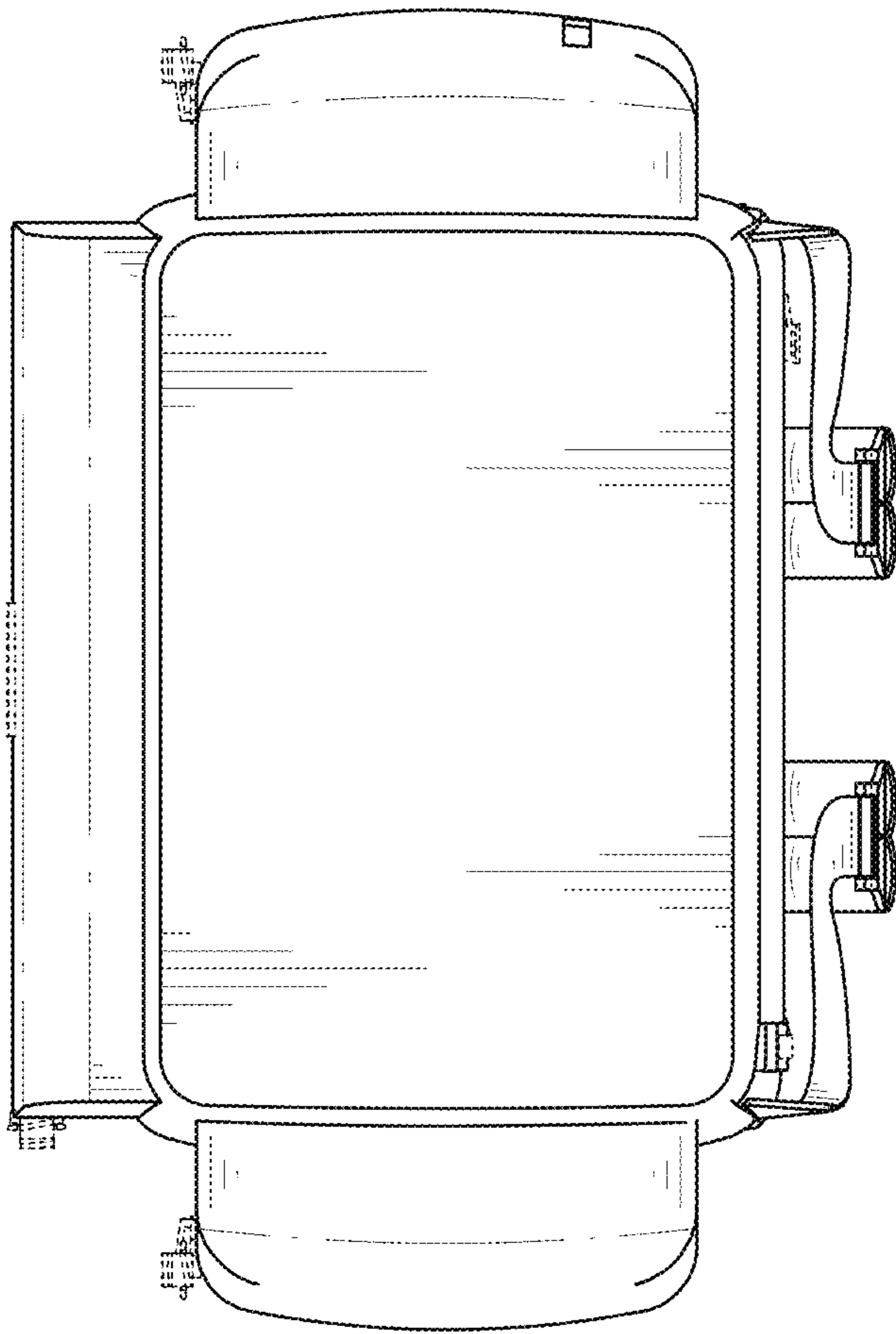


FIG. 8