



US00D898347S

(12) **United States Design Patent** (10) **Patent No.:** **US D898,347 S**
Lee (45) **Date of Patent:** **** Oct. 13, 2020**

(54) **PILL ORGANIZER**
(71) Applicant: **E-LINK PLASTIC & METAL INDUSTRIAL CO., LTD.**, New Taipei (TW)
(72) Inventor: **Cheng-Hua Lee**, New Taipei (TW)
(73) Assignee: **E-LINK PLASTIC & METAL INDUSTRIAL CO., LTD.**, New Taipei (TW)

D403,158 S * 12/1998 Au D3/294
D418,297 S * 1/2000 Budert D3/286
D426,381 S * 6/2000 Au D3/201
D431,905 S * 10/2000 McCormack D3/273
D489,609 S * 5/2004 Holthaus D9/430
D543,842 S * 6/2007 Jackson D9/420
D551,893 S * 10/2007 Huang D6/634
D552,400 S * 10/2007 Huang D6/633
D575,956 S * 9/2008 Reardon D3/295
D779,204 S * 2/2017 Foreman D3/294
D817,640 S * 5/2018 Dang D3/294
D860,630 S * 9/2019 Schaumann D3/20
D866,164 S * 11/2019 Chen D3/205

(**) Term: **15 Years**

* cited by examiner

(21) Appl. No.: **29/687,586**

Primary Examiner — Steven J Czyz

(22) Filed: **Apr. 13, 2019**

(74) *Attorney, Agent, or Firm* — Pai Patent & Trademark Law Firm; Chao-Chang David Pai

(51) **LOC (12) Cl.** **03-01**

(52) **U.S. Cl.**
USPC **D3/203.3**

(57) **CLAIM**

The ornamental design for a pill organizer, as shown and described.

(58) **Field of Classification Search**
USPC D3/201, 203.1–203.8, 273, 294, 295;
D9/756, 759, 414, 420, 421, 428
CPC .. A45D 40/00; A45D 40/22; A61J 1/00; A61J 1/03; A61J 7/04; A61J 7/0084; B65D 83/04; B65D 83/0445; B65D 43/16; B65D 43/161; B65D 43/162
See application file for complete search history.

DESCRIPTION

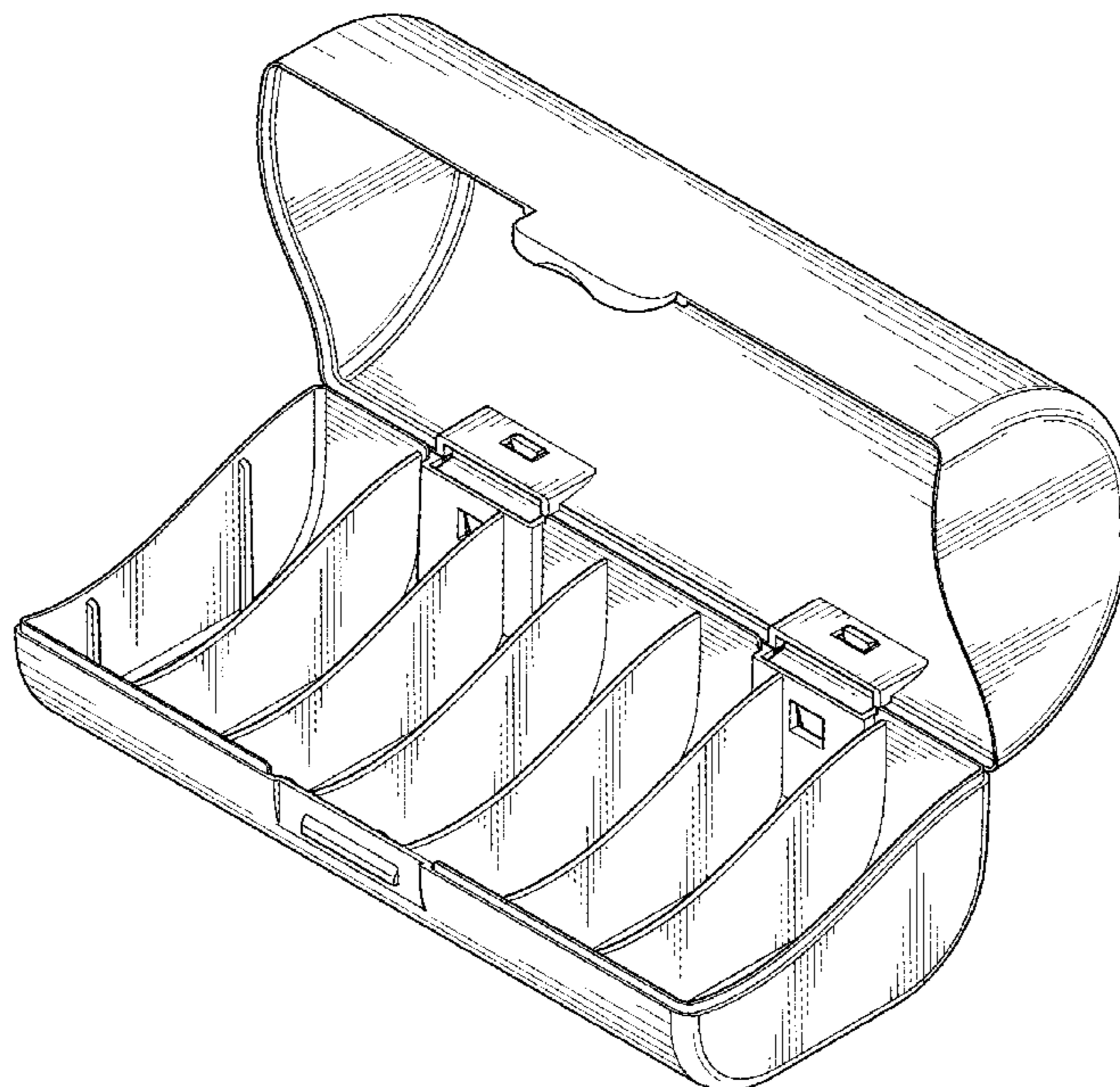
FIG. 1 is a perspective view of a pill organizer, showing my new design;
FIG. 2 is a front elevation view thereof;
FIG. 3 is a rear elevation view thereof;
FIG. 4 is a left side elevation view thereof;
FIG. 5 is a right side elevation view thereof;
FIG. 6 is a top plan view thereof;
FIG. 7 is a bottom plan view thereof;
FIG. 8 is a perspective view of the pill organizer shown in an open state; and,
FIG. 9 is a perspective view of the pill organizer shown in an open state with environment.
In the drawings, the broken lines depict environment that forms no part of the claimed design.

(56) **References Cited**

U.S. PATENT DOCUMENTS

D107,151 S * 11/1937 Helleu et al. D3/205
D264,520 S * 5/1982 Garrett D19/67
D273,403 S * 4/1984 DeLuca D21/392
D285,128 S * 8/1986 Yuen D28/77
D354,848 S * 1/1995 Lovell D28/77
D365,206 S * 12/1995 Goodman D3/273
D398,521 S * 9/1998 Coe D3/203.3
D399,540 S * 10/1998 Wolfenstein D21/392

1 Claim, 9 Drawing Sheets



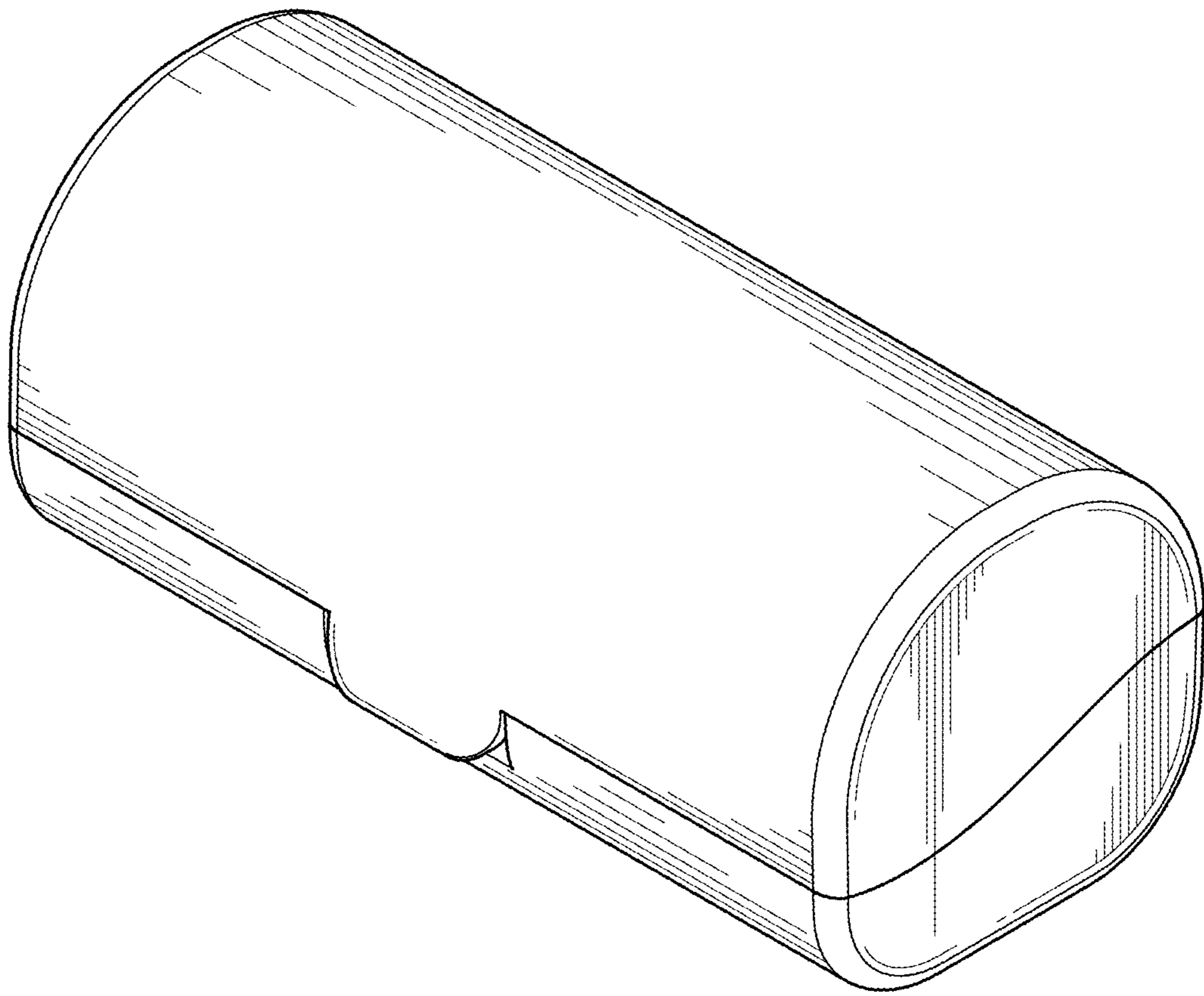


FIG. 1

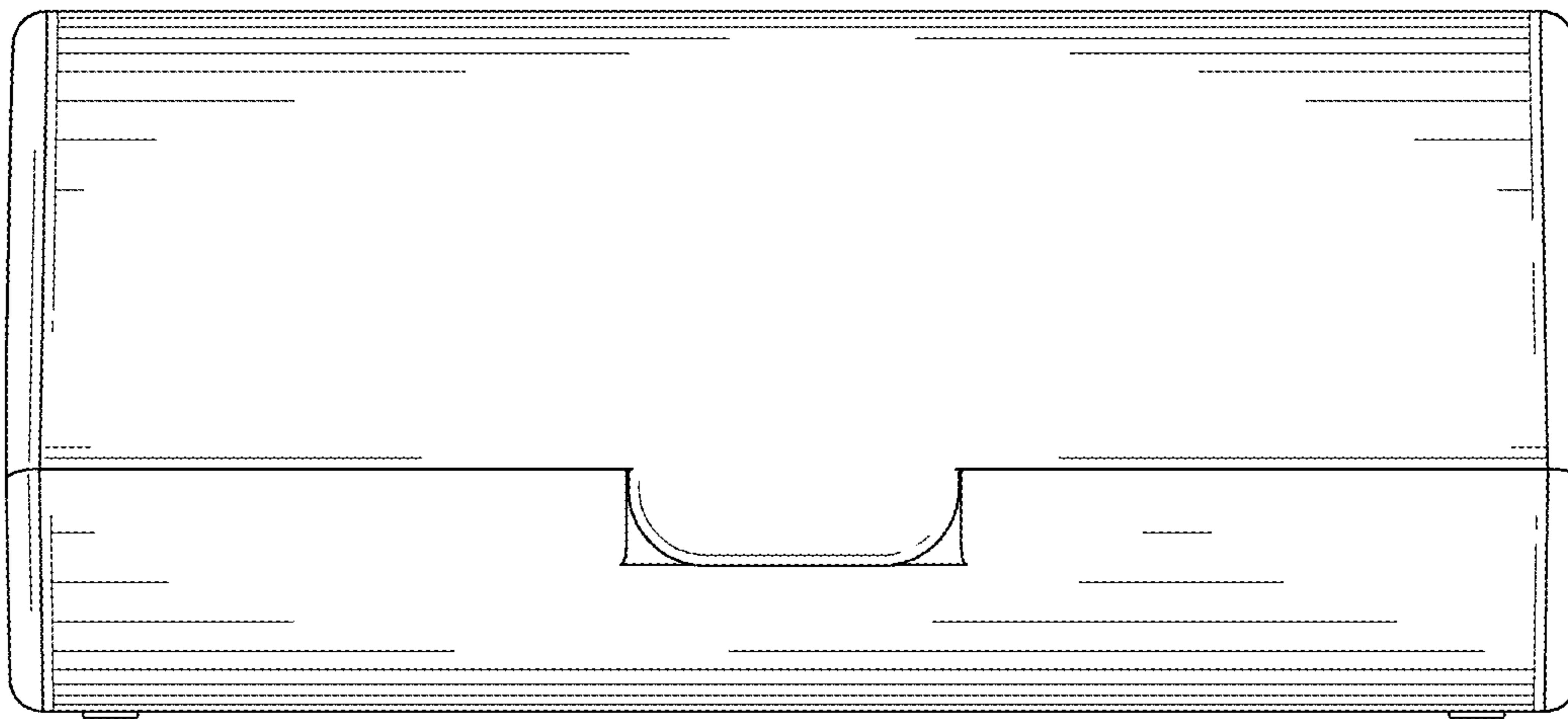


FIG. 2

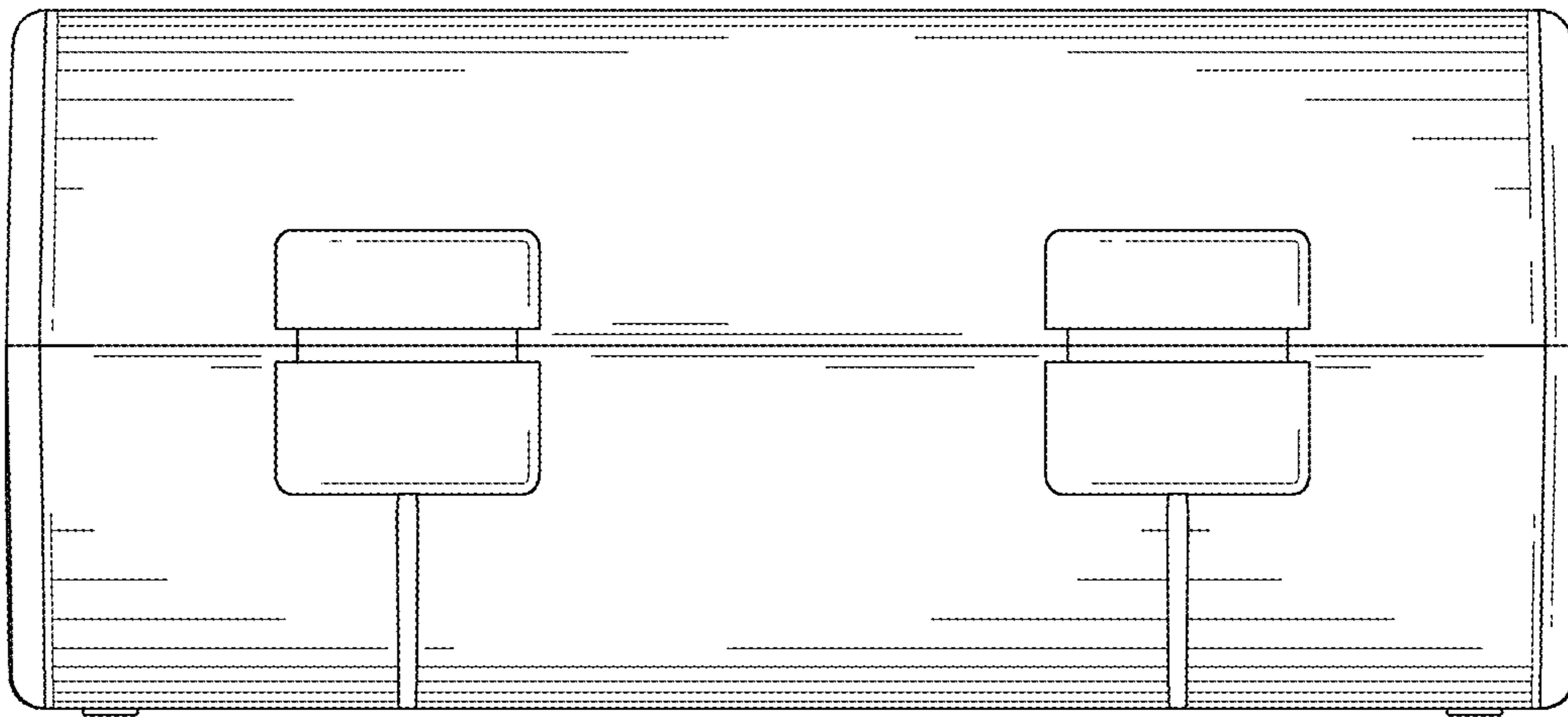


FIG. 3

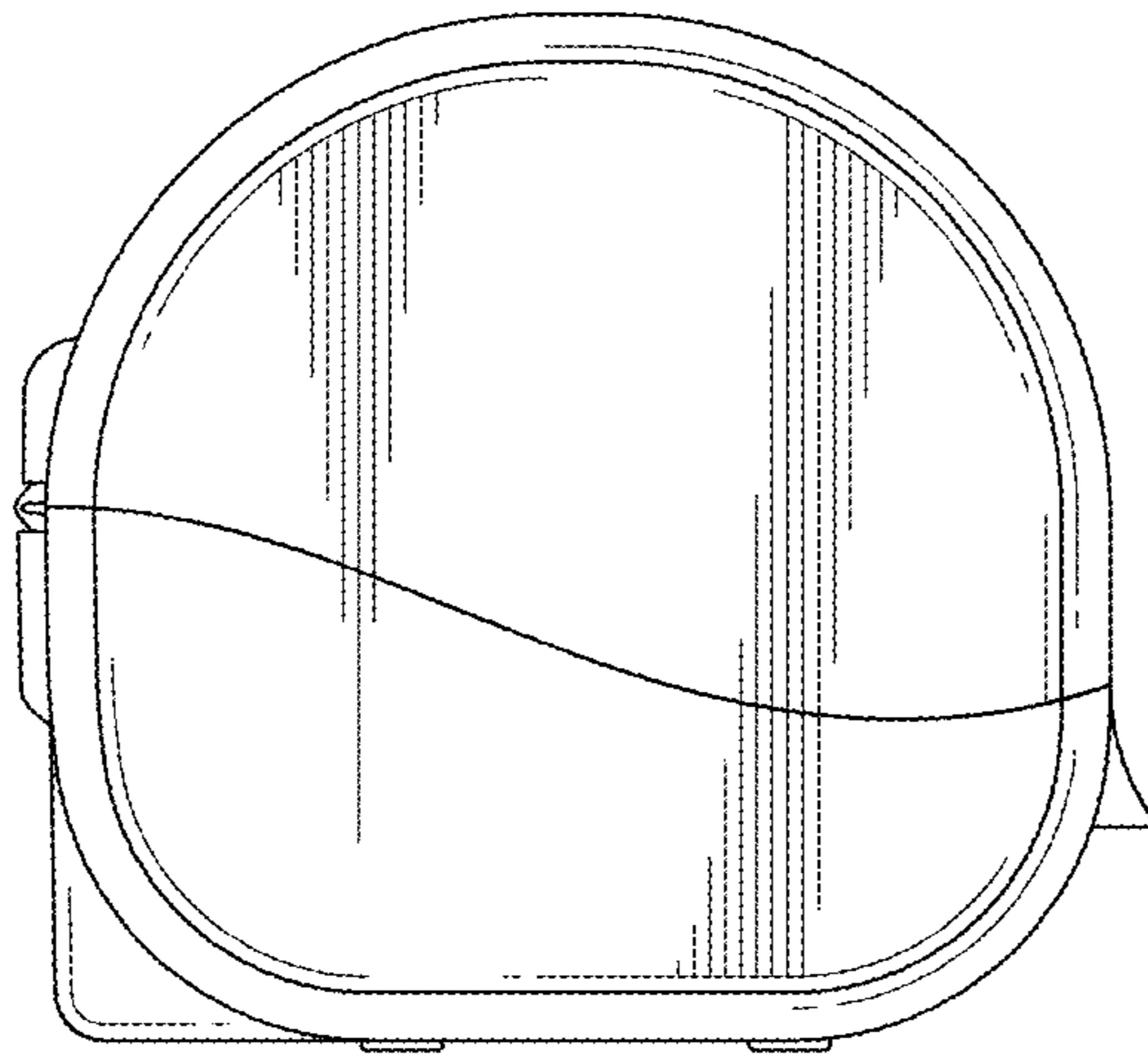


FIG. 4

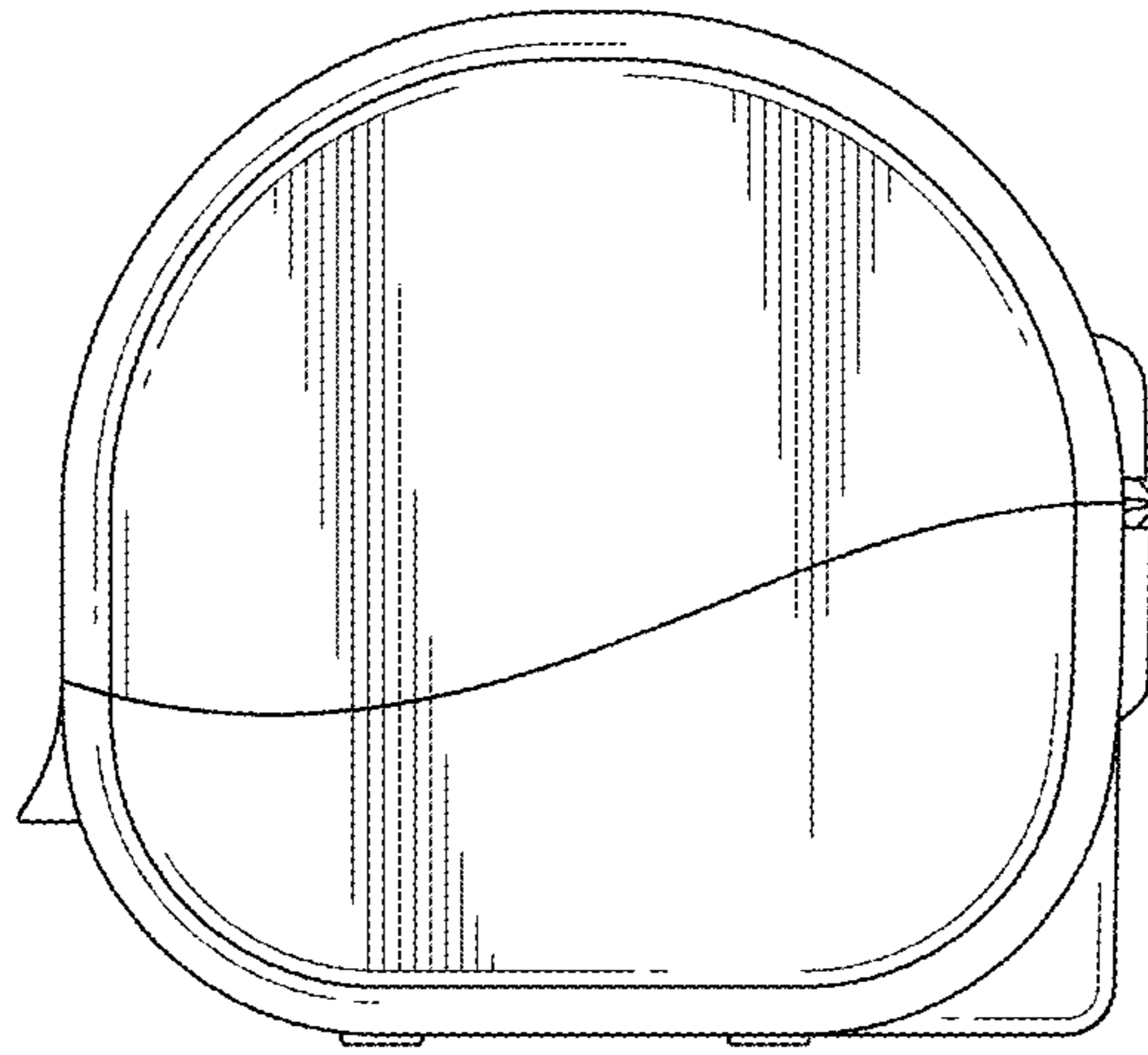


FIG. 5

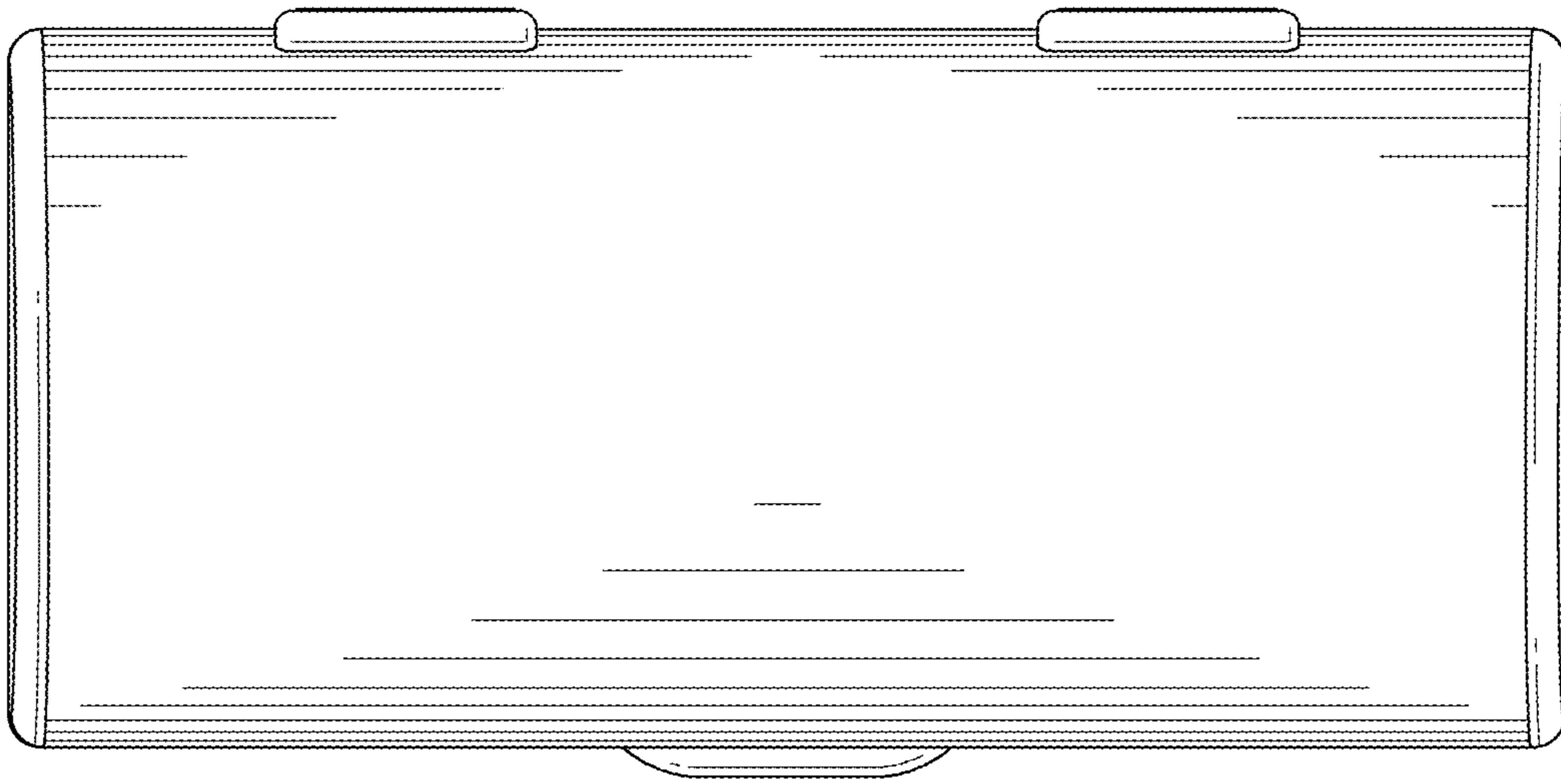


FIG. 6

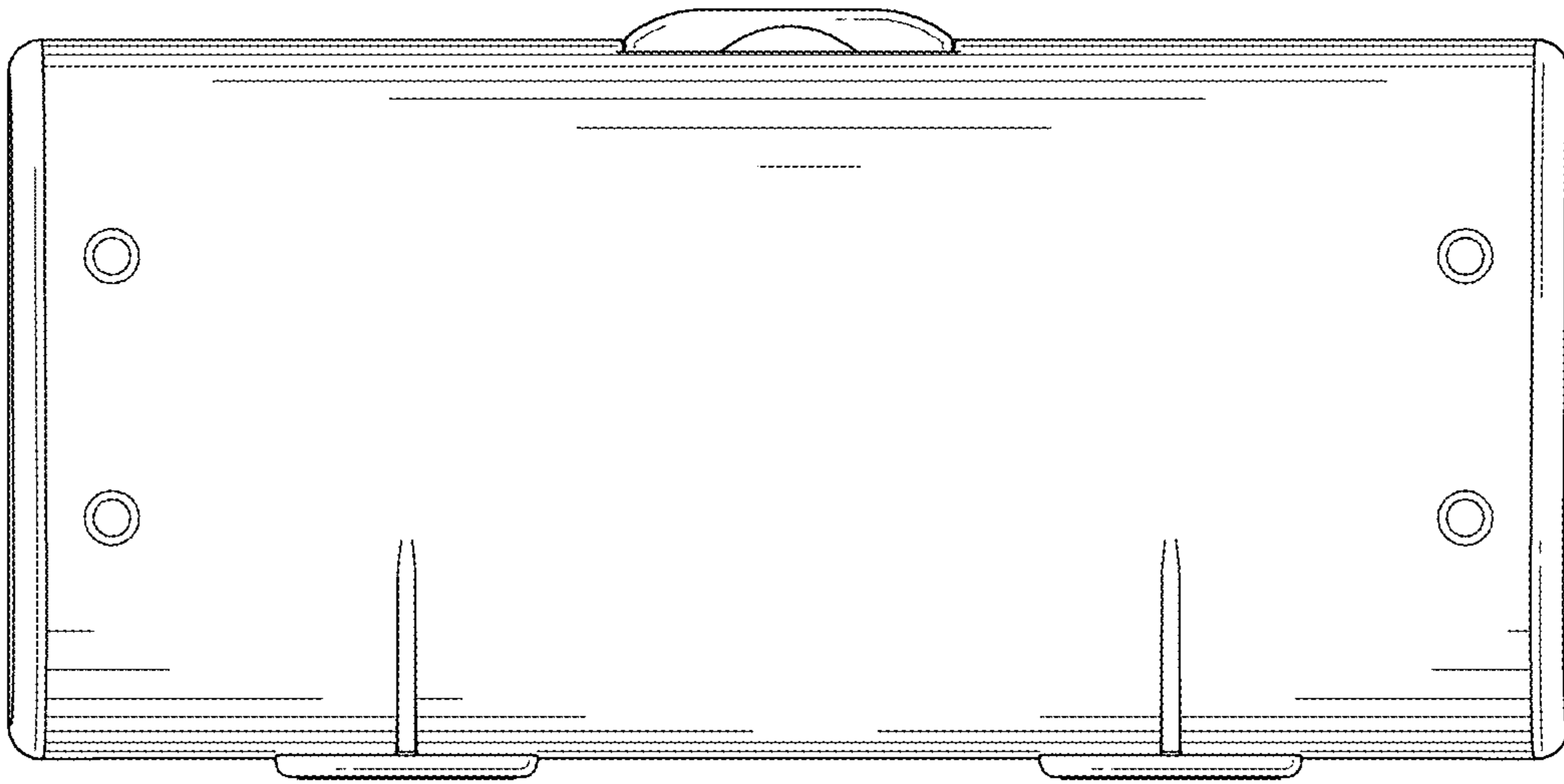


FIG. 7

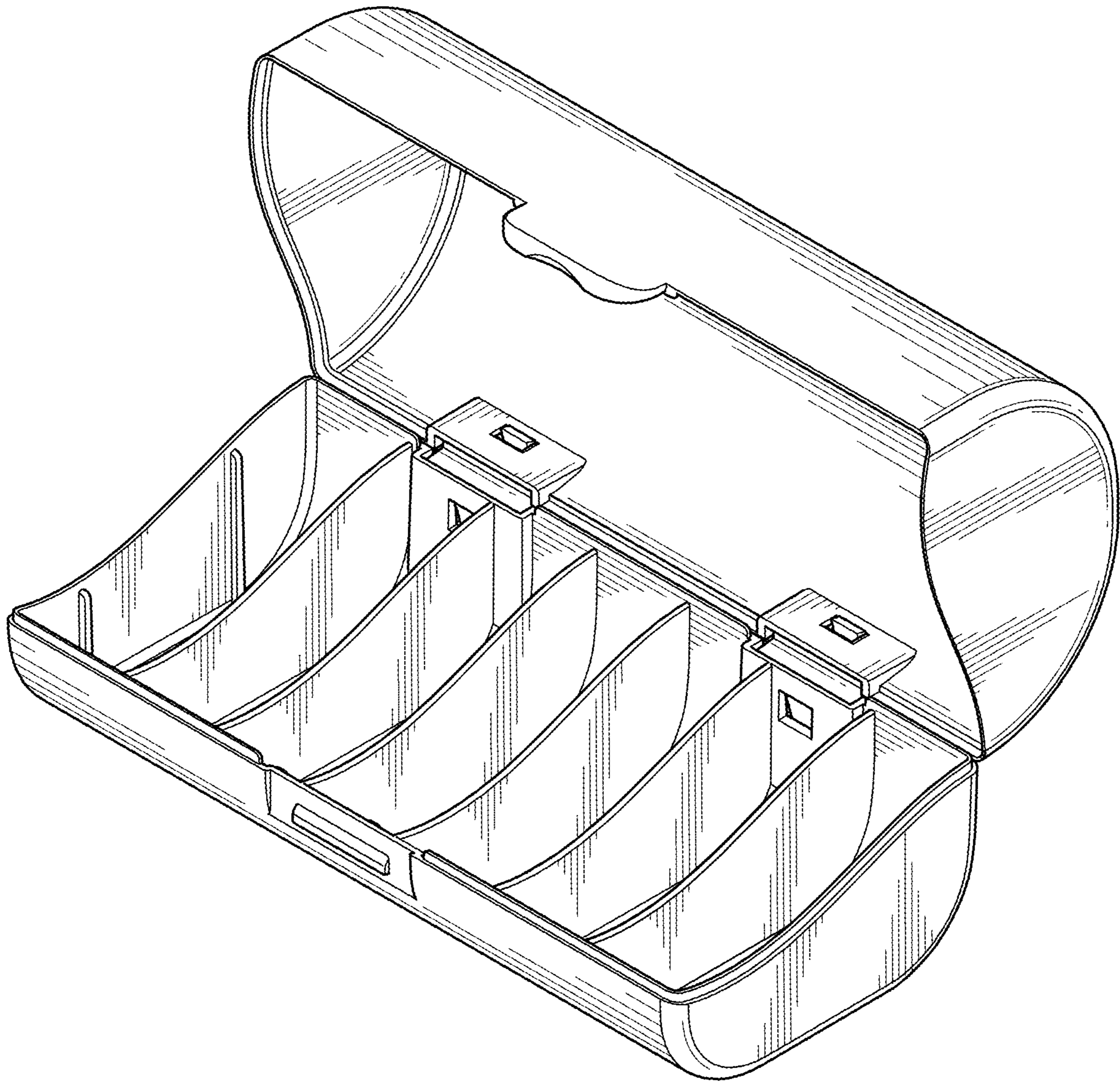


FIG. 8

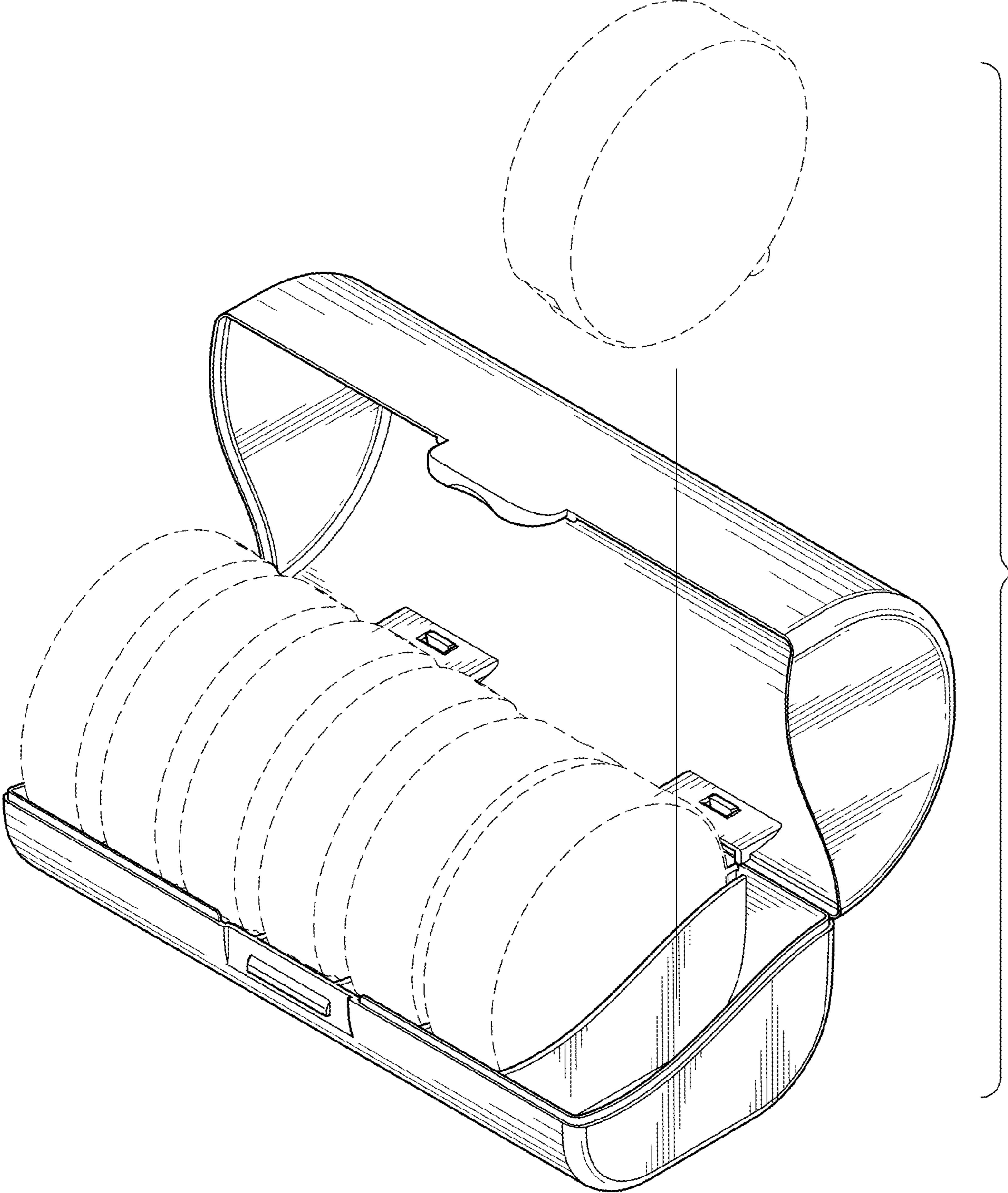


FIG. 9