



US00D898346S

(12) **United States Design Patent** (10) **Patent No.:** **US D898,346 S**  
**Lee** (45) **Date of Patent:** **\*\* Oct. 13, 2020**

(54) **PILL BOX** D524,537 S \* 7/2006 Priebe ..... D3/203.3  
7,387,207 B2 \* 6/2008 Priebe ..... A61J 1/03  
206/532

(71) Applicant: **E-LINK PLASTIC & METAL INDUSTRIAL CO., LTD.**, New Taipei (TW) 7,395,929 B2 \* 7/2008 Keffeler ..... B65D 83/0445  
206/528

(72) Inventor: **Cheng-Hua Lee**, New Taipei (TW) D576,787 S \* 9/2008 Fulmer Mason ..... D3/203.3  
7,793,785 B2 \* 9/2010 Keffeler ..... A61J 1/03  
206/532

(73) Assignee: **E-LINK PLASTIC & METAL INDUSTRIAL CO., LTD.**, New Taipei (TW) D679,086 S \* 4/2013 Liguori ..... D3/203.3  
D696,007 S \* 12/2013 Priebe ..... D3/203.3  
D697,303 S \* 1/2014 Priebe ..... D3/203.3  
D703,943 S \* 5/2014 Priebe ..... D3/203.3  
8,744,620 B2 \* 6/2014 Shavelsky ..... A61J 7/04  
700/237

(\*\*) Term: **15 Years** D727,011 S \* 4/2015 Priebe ..... D3/203.3  
(Continued)

(21) Appl. No.: **29/687,585**

(22) Filed: **Apr. 13, 2019**

(51) **LOC (12) Cl.** ..... **03-01**

(52) **U.S. Cl.**  
USPC ..... **D3/203.3**

(58) **Field of Classification Search**  
USPC ..... D3/201, 203.1–203.6, 294, 295; D9/420,  
D9/421, 757, 759  
CPC ..... A61J 1/00; A61J 1/03; A61J 7/04; A61J  
7/0084; B65D 1/36; B65D 2583/04;  
B65D 83/04; B65D 83/0445; B65D  
83/0481  
See application file for complete search history.

(56) **References Cited**  
U.S. PATENT DOCUMENTS

D281,225 S \* 11/1985 Leman ..... D3/203.3  
4,735,318 A \* 4/1988 Keffeler ..... A61J 1/03  
206/532  
4,793,492 A \* 12/1988 Halbich ..... A45C 11/24  
206/538  
D393,203 S \* 4/1998 Saltzman ..... D24/226  
D415,958 S \* 11/1999 Noble ..... D3/203.3  
D418,288 S \* 1/2000 Priebe ..... D3/201  
D430,392 S \* 9/2000 Noble ..... D3/201  
D466,801 S \* 12/2002 Holland ..... D3/203.3  
D522,742 S \* 6/2006 Priebe ..... D3/203.3

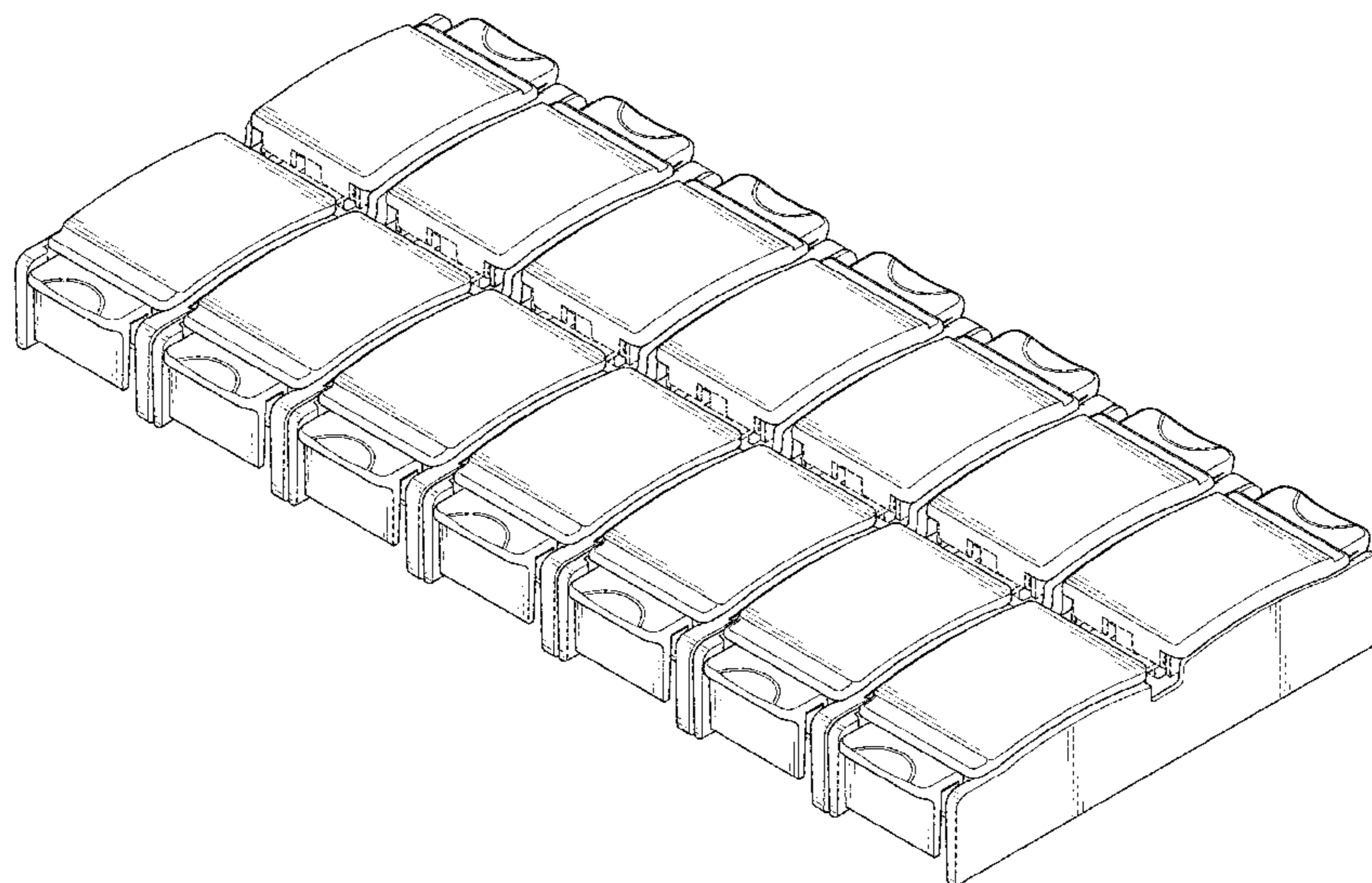
*Primary Examiner* — Steven J Czyz  
(74) *Attorney, Agent, or Firm* — Pai Patent & Trademark Law Firm; Chao-Chang David Pai

(57) **CLAIM**  
The ornamental design for a pill box, as shown and described.

**DESCRIPTION**

FIG. 1 is a top perspective view of a pill box showing my new design;  
FIG. 2 is a bottom perspective view thereof;  
FIG. 3 is a front elevation view thereof;  
FIG. 4 is a rear elevation view thereof;  
FIG. 5 is a left side elevation view thereof;  
FIG. 6 is a right side elevation view thereof;  
FIG. 7 is a top plan view thereof;  
FIG. 8 is a bottom plan view thereof;  
FIG. 9 is an enlarged detailed view of Area 9 circumscribed within FIG. 2; and,  
FIG. 10 is an enlarged detailed view of Area 10 circumscribed within FIG. 8.  
The broken lines depict portions of the article that form no part of the claimed design.

**1 Claim, 10 Drawing Sheets**



(56)

**References Cited**

U.S. PATENT DOCUMENTS

9,066,849	B2 *	6/2015	Fung .....	A61J 1/03
9,211,233	B2 *	12/2015	Shavelsky .....	A61J 7/04
9,289,354	B2 *	3/2016	Ryan .....	A61J 1/03
D761,009	S *	7/2016	Jewell .....	D3/203.3
D777,419	S *	1/2017	Noble .....	D3/203.3
D799,813	S *	10/2017	Wartenberg .....	D3/203.3
D812,368	S *	3/2018	Noble .....	D3/203.3
10,391,028	B2 *	8/2019	Deluca .....	A61J 7/0463
D882,941	S *	5/2020	Deluca .....	D3/203.3

\* cited by examiner

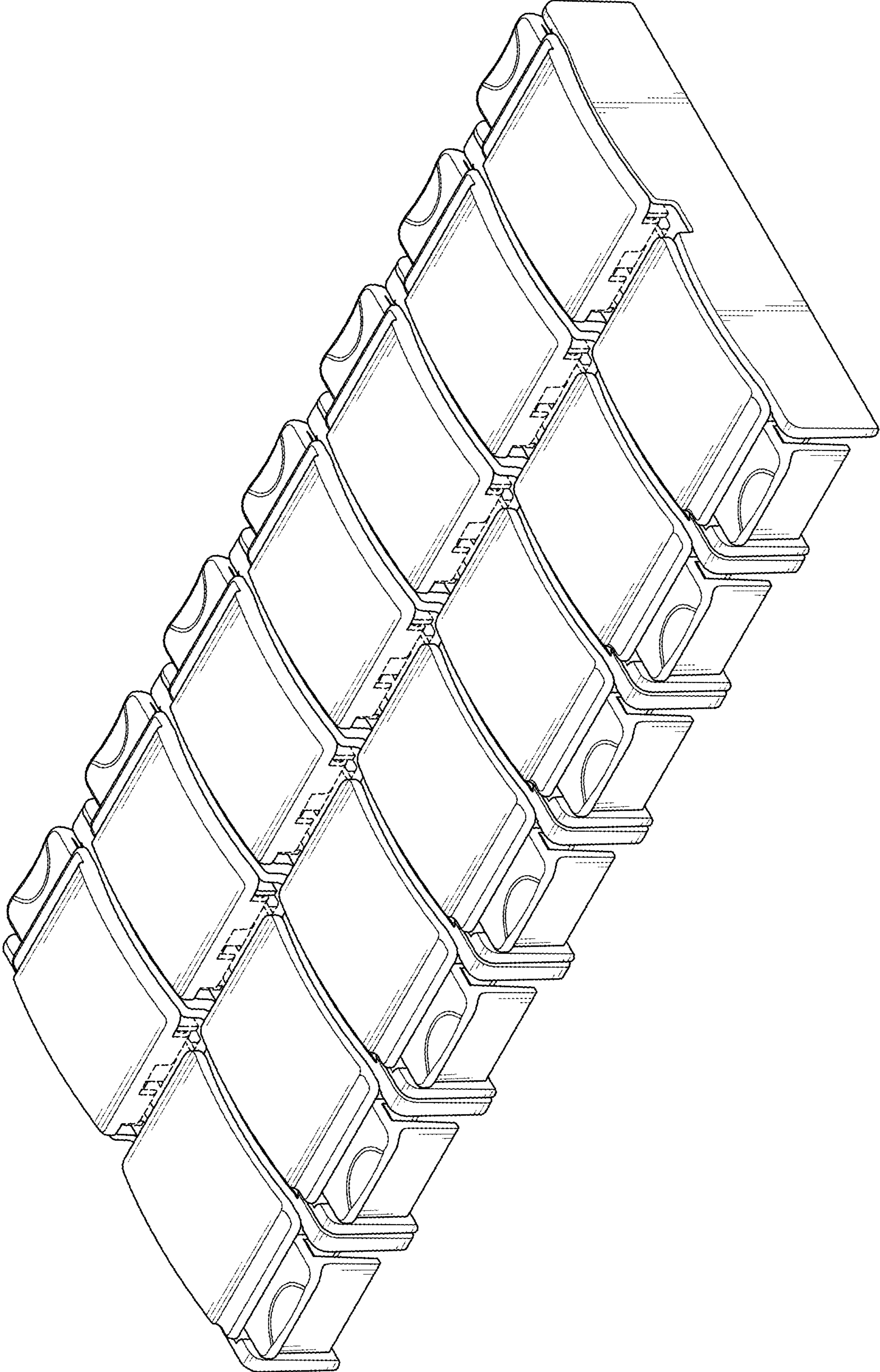


FIG. 1

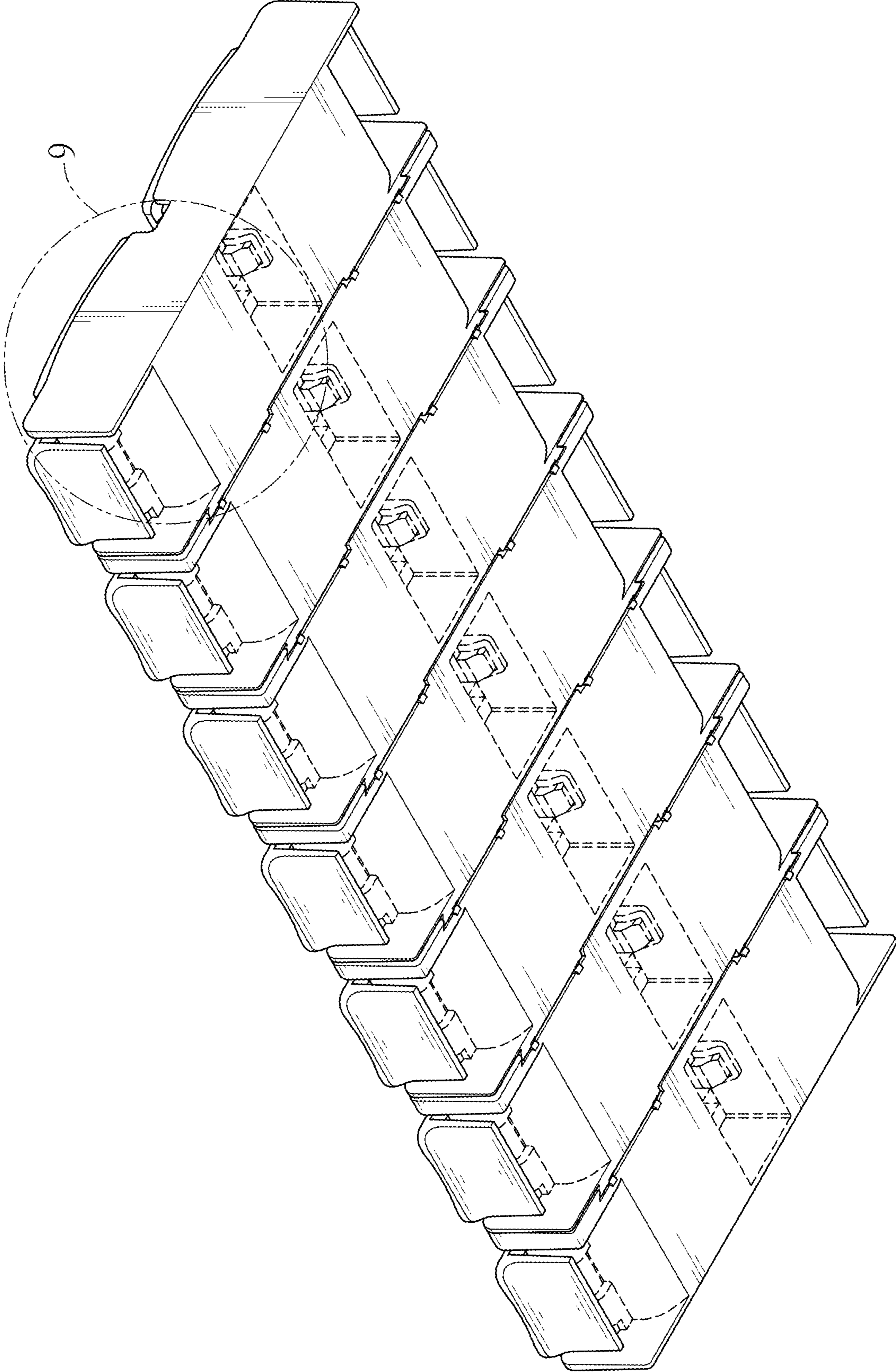


FIG. 2

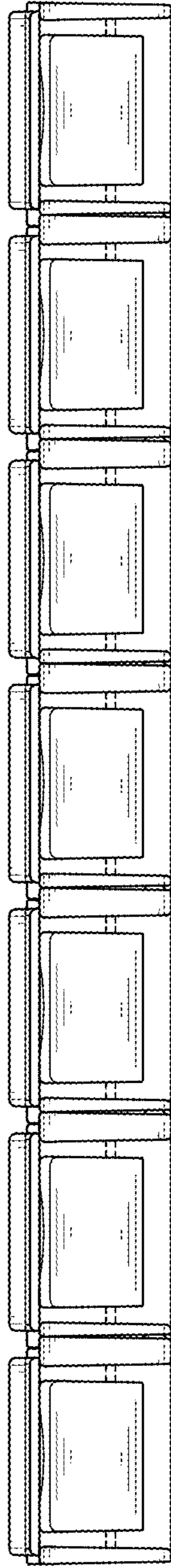


FIG. 3

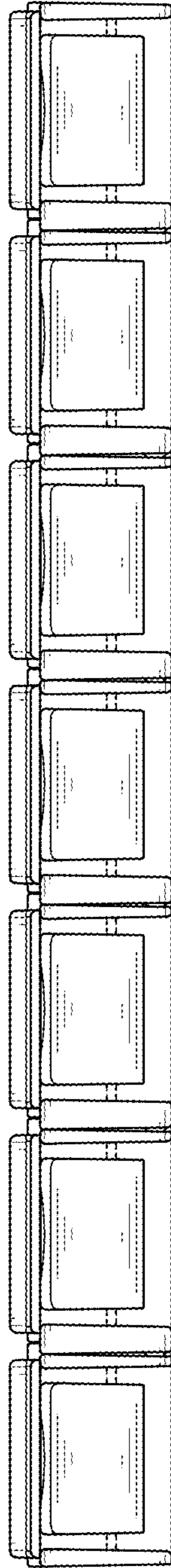


FIG. 4

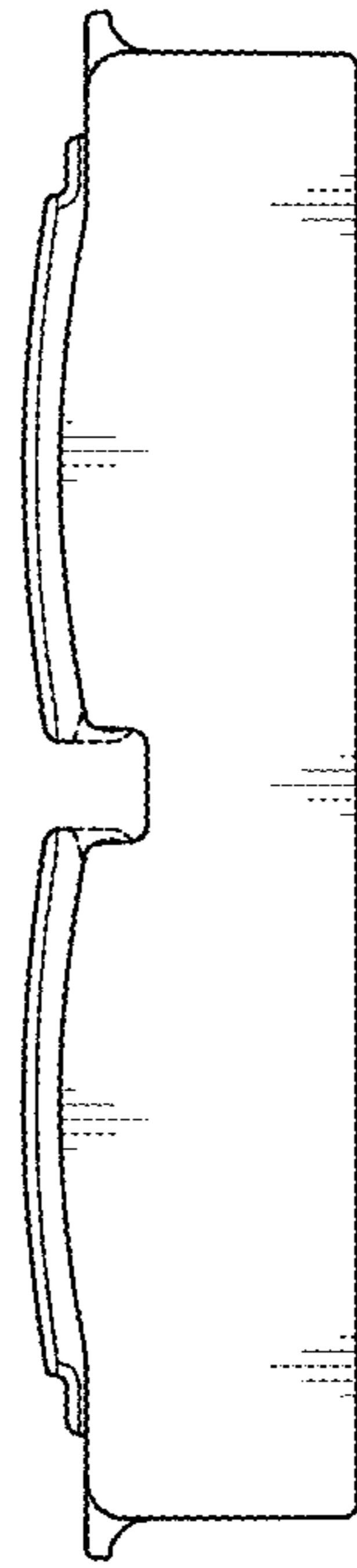


FIG. 5

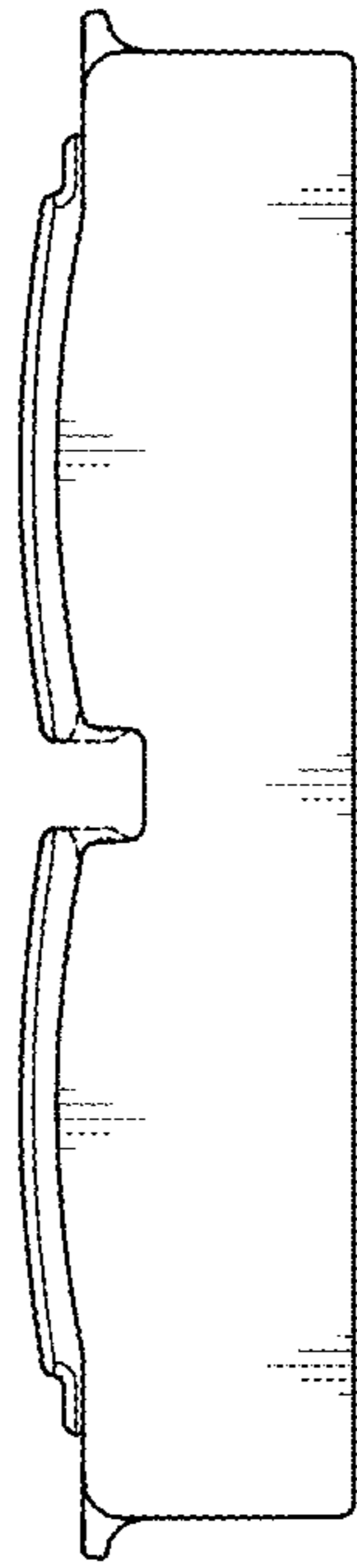


FIG. 6



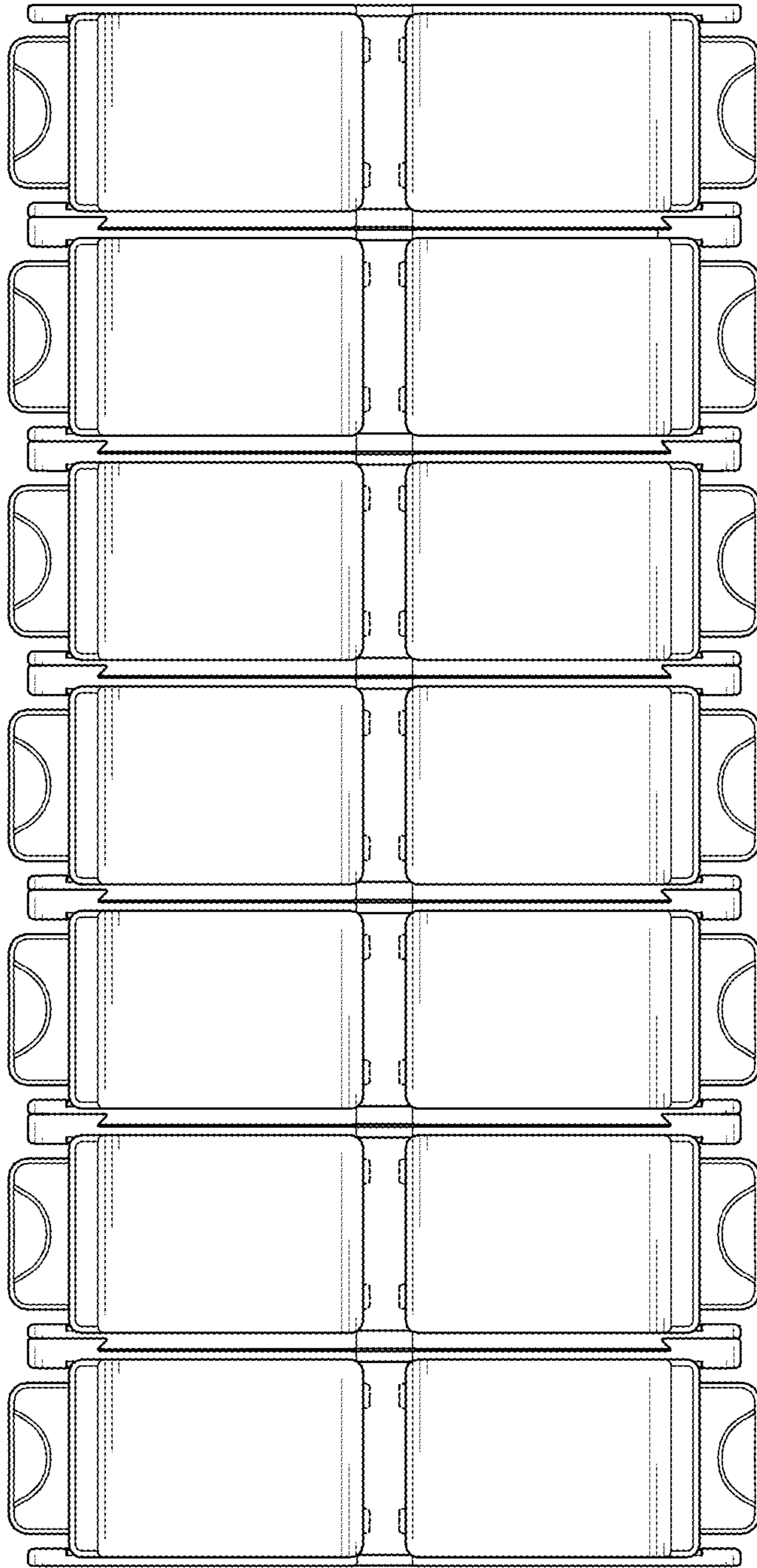


FIG. 7

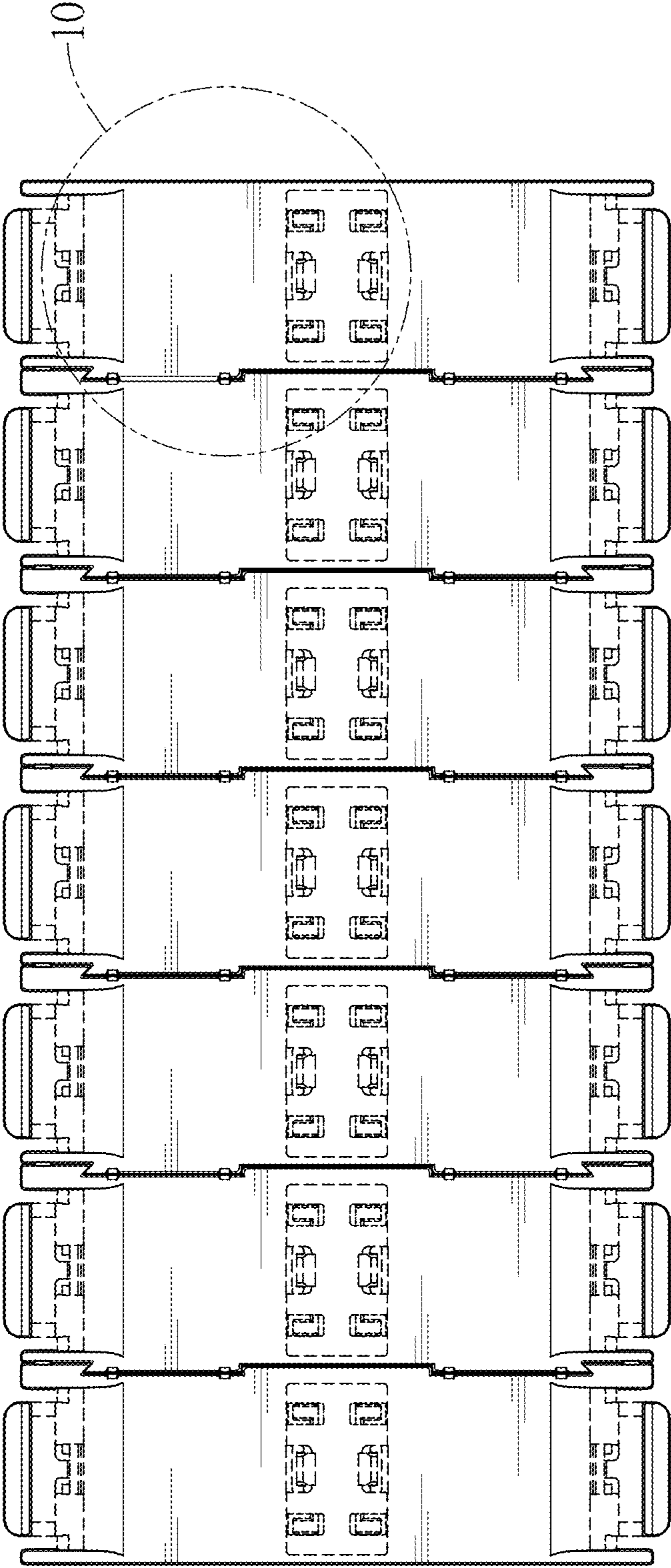


FIG. 8

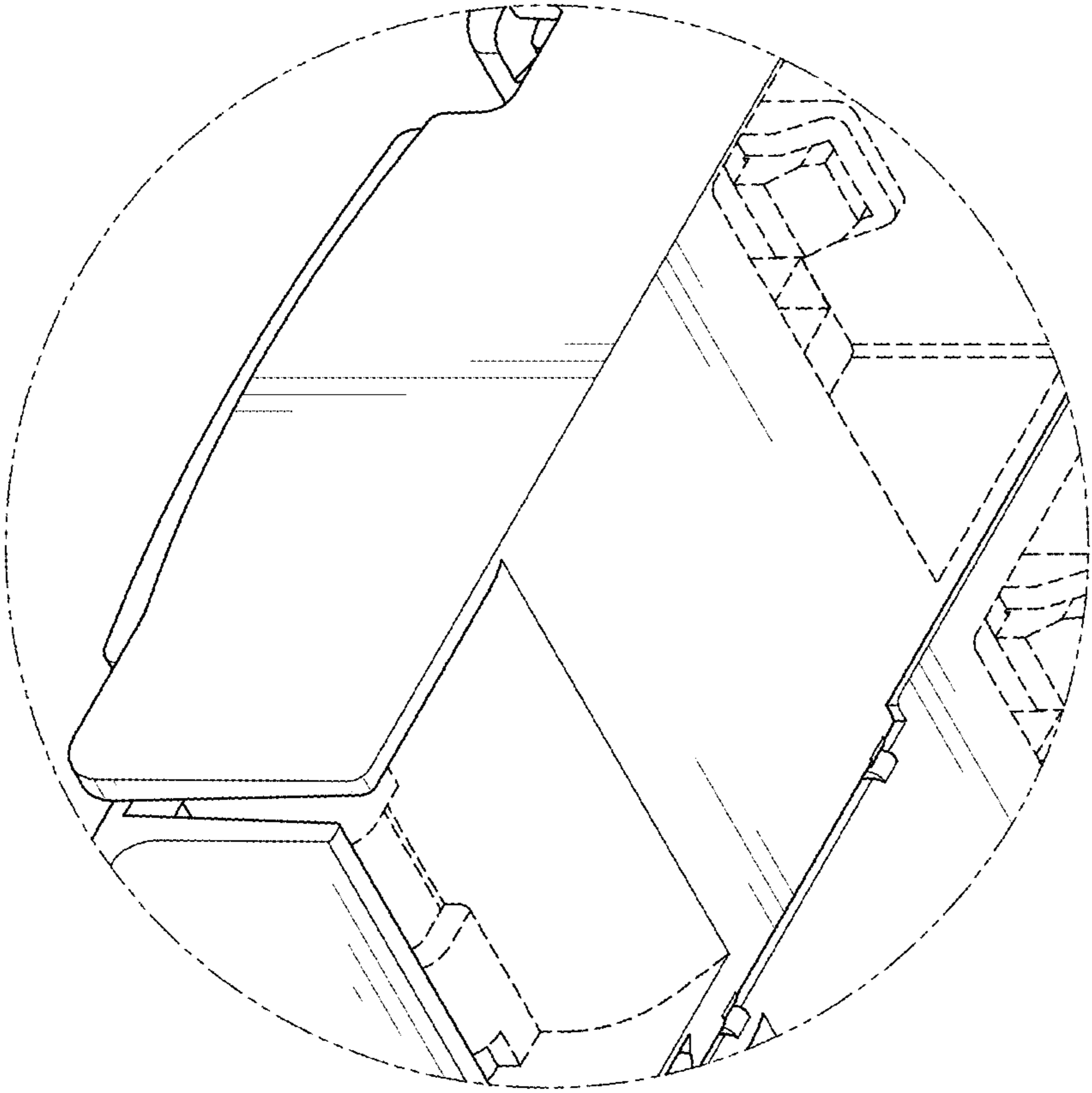


FIG. 9

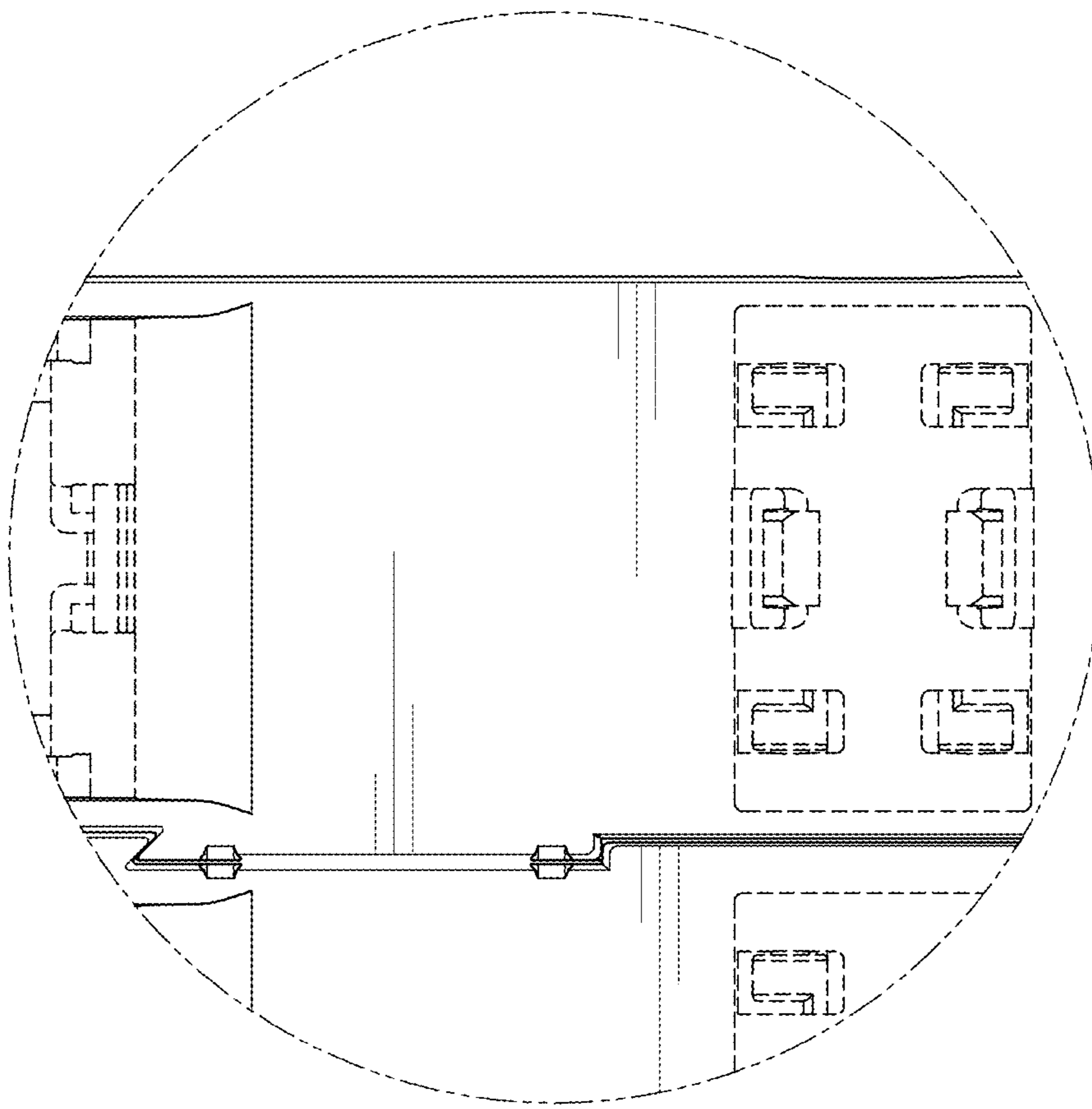


FIG. 10