



US00D898345S

(12) **United States Design Patent** (10) **Patent No.:** **US D898,345 S**
Lee (45) **Date of Patent:** **** Oct. 13, 2020**

(54) **PILL BOX**
(71) Applicant: **E-LINK PLASTIC & METAL INDUSTRIAL CO., LTD.**, New Taipei (TW)

7,494,012 B1 * 2/2009 Priebe A61J 1/03 206/1.5
7,624,890 B2 * 12/2009 Noble A61J 7/04 206/538
D612,894 S * 3/2010 Evans D21/392
7,798,330 B2 * 9/2010 Noble B65D 83/04 206/1.5

(72) Inventor: **Cheng-Hua Lee**, New Taipei (TW)
(73) Assignee: **E-LINK PLASTIC & METAL INDUSTRIAL CO., LTD.**, New Taipei (TW)

(Continued)

(**) Term: **15 Years**

(21) Appl. No.: **29/687,584**

(22) Filed: **Apr. 13, 2019**

(51) **LOC (12) Cl.** **03-01**

(52) **U.S. Cl.**
USPC **D3/203.3**

(58) **Field of Classification Search**
USPC .. D3/201, 203.1–203.8, 205, 206, 294, 295;
D9/420, 421, 757, 759
CPC B65D 1/36; B65D 2583/04; B65D 83/04;
B65D 83/0445; B65D 83/0481; A61J
1/00; A61J 1/03; A61J 7/04; A61J 7/0084
See application file for complete search history.

(56) **References Cited**

U.S. PATENT DOCUMENTS

D227,552 S * 7/1973 Bridges D3/203.3
D253,933 S * 1/1980 Bridges D3/203.3
4,735,318 A * 4/1988 Keffeler A61J 1/03
206/532
D298,803 S * 12/1988 Ebling D3/203.3
D304,905 S * 12/1989 Zimmerman D3/203.3
D337,725 S * 7/1993 Bunin D3/203.3
D457,819 S * 5/2002 Noble D10/40
D466,801 S * 12/2002 Holland D3/203.3
D528,782 S * 9/2006 Oas D3/203.3
D541,039 S * 4/2007 Stugelmeyer D3/203.3
D545,563 S * 7/2007 Margiotta D3/203.3
D587,005 S * 2/2009 Gardner D3/203.3

OTHER PUBLICATIONS

Fullive Pill Organizer, Daily Pill Organizer—Detachable Weekly Pill Case, Easy Open Push Button Pill Box, BPA-Free 7 Day Medicine Organizer for Fish Oil, Vitamin, amazon.com, https://www.amazon.com/Daily-Pill-Organizer-Once-Day/dp/B07SVXD1BH/ref=psdc_3764251_t2_B004IMKSCQ.*

Primary Examiner — Steven J Czyz

(74) *Attorney, Agent, or Firm* — Pai Patent & Trademark Law Firm; Chao-Chang David Pai

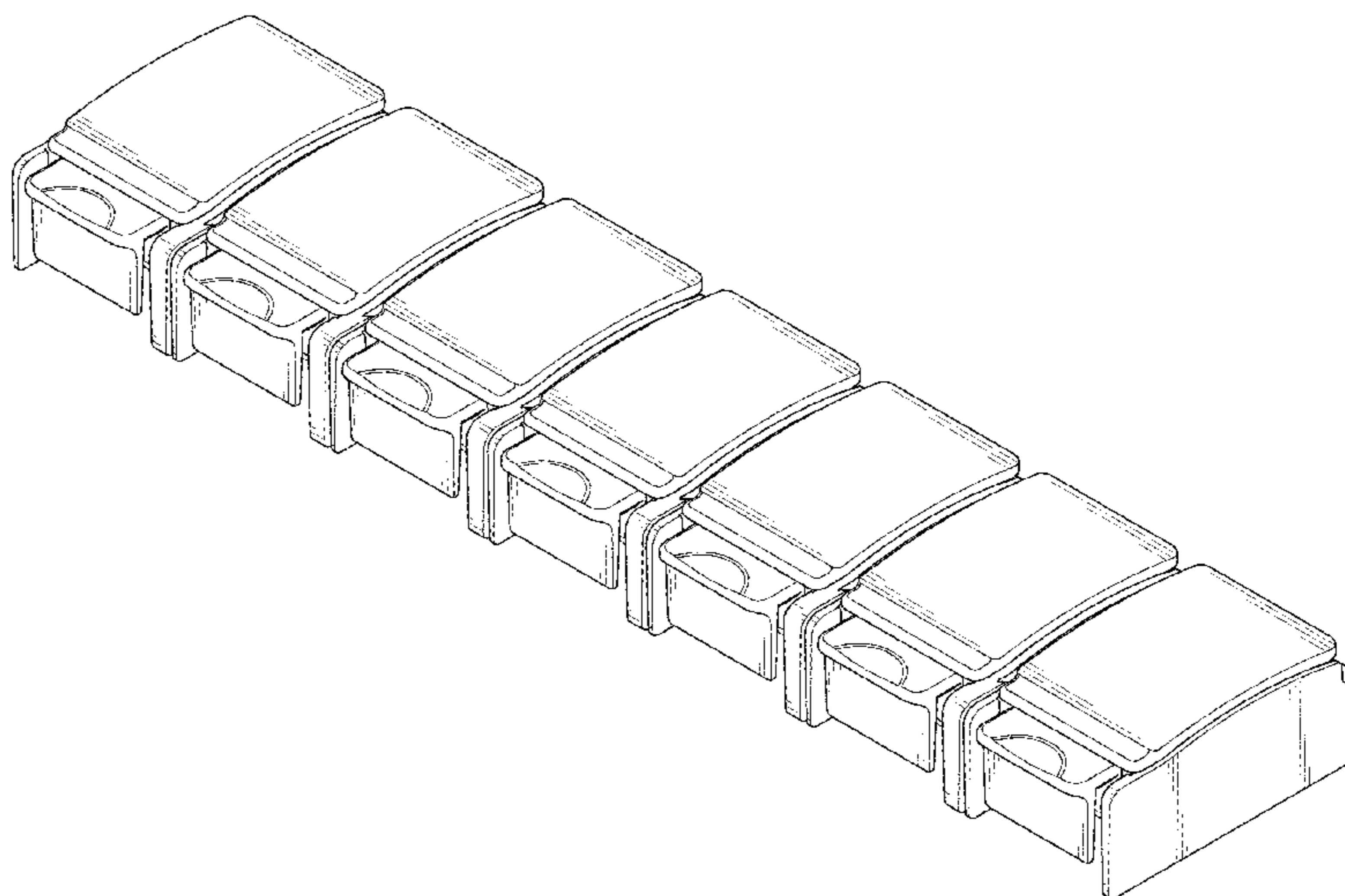
(57) **CLAIM**

The ornamental design for a pill box, as shown and described.

DESCRIPTION

FIG. 1 is a top perspective view of a pill box showing my new design;
FIG. 2 is a bottom perspective view thereof;
FIG. 3 is a front elevation view thereof;
FIG. 4 is a rear elevation view thereof;
FIG. 5 is a left side elevation view thereof;
FIG. 6 is a right side elevation view thereof;
FIG. 7 is a top plan view thereof;
FIG. 8 is a bottom plan view thereof;
FIG. 9 is an enlarged detailed view of Area 9 circumscribed within FIG. 2; and,
FIG. 10 is an enlarged detailed view of Area 10 circumscribed within FIG. 8.
The broken lines depict portions of the article and environment that form no part of the claimed design.

1 Claim, 10 Drawing Sheets



(56)

References Cited

U.S. PATENT DOCUMENTS

8,174,370 B1 * 5/2012 Fulmer-Mason A61J 7/0409
206/534
8,381,911 B2 * 2/2013 Buchner B65D 83/04
206/530
D684,355 S * 6/2013 Priebe D3/203.3
D691,366 S * 10/2013 Muncy D3/203.3
D695,512 S * 12/2013 Priebe D3/203.3
D696,008 S * 12/2013 Priebe D3/203.3
D696,009 S * 12/2013 Priebe D3/203.3
D696,010 S * 12/2013 Priebe D3/203.3
D696,856 S * 1/2014 Priebe D3/203.3
D698,141 S * 1/2014 Priebe D3/203.3
D698,540 S * 2/2014 Priebe D3/203.3
D709,282 S * 7/2014 Priebe D3/203.3
D747,869 S * 1/2016 Priebe D3/203.3
9,289,354 B2 * 3/2016 Ryan A61J 1/03
D775,462 S * 1/2017 Noble D3/203.3
9,937,101 B2 * 4/2018 Sheu A61J 7/0084
D828,012 S * 9/2018 Suess D3/203.3
D831,331 S * 10/2018 Lee D3/203.3
D833,733 S * 11/2018 Chen D3/203.3
D850,782 S * 6/2019 Lee D3/203.3
10,420,703 B1 * 9/2019 Lee A61J 7/0084

* cited by examiner

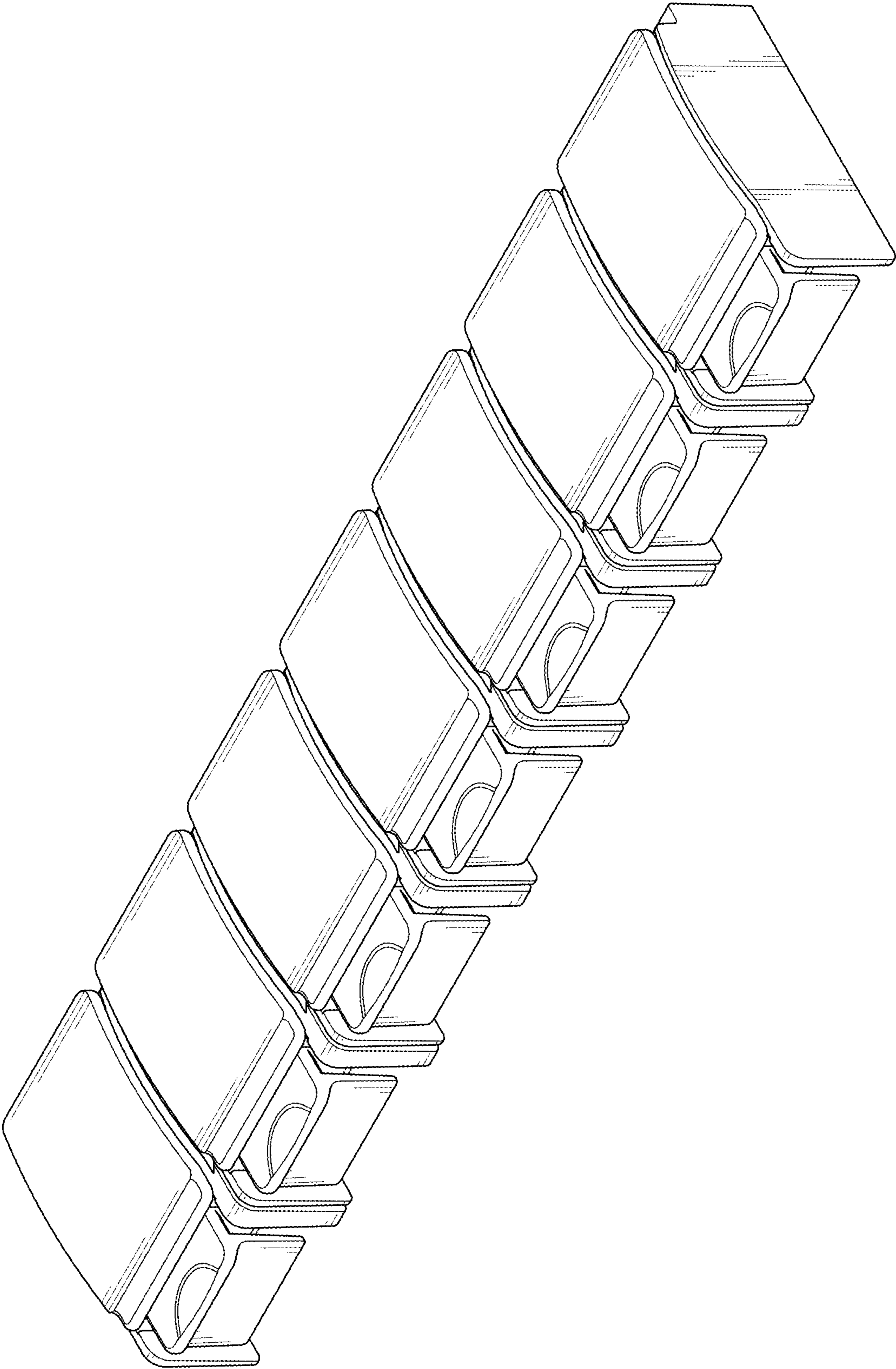


FIG. 1

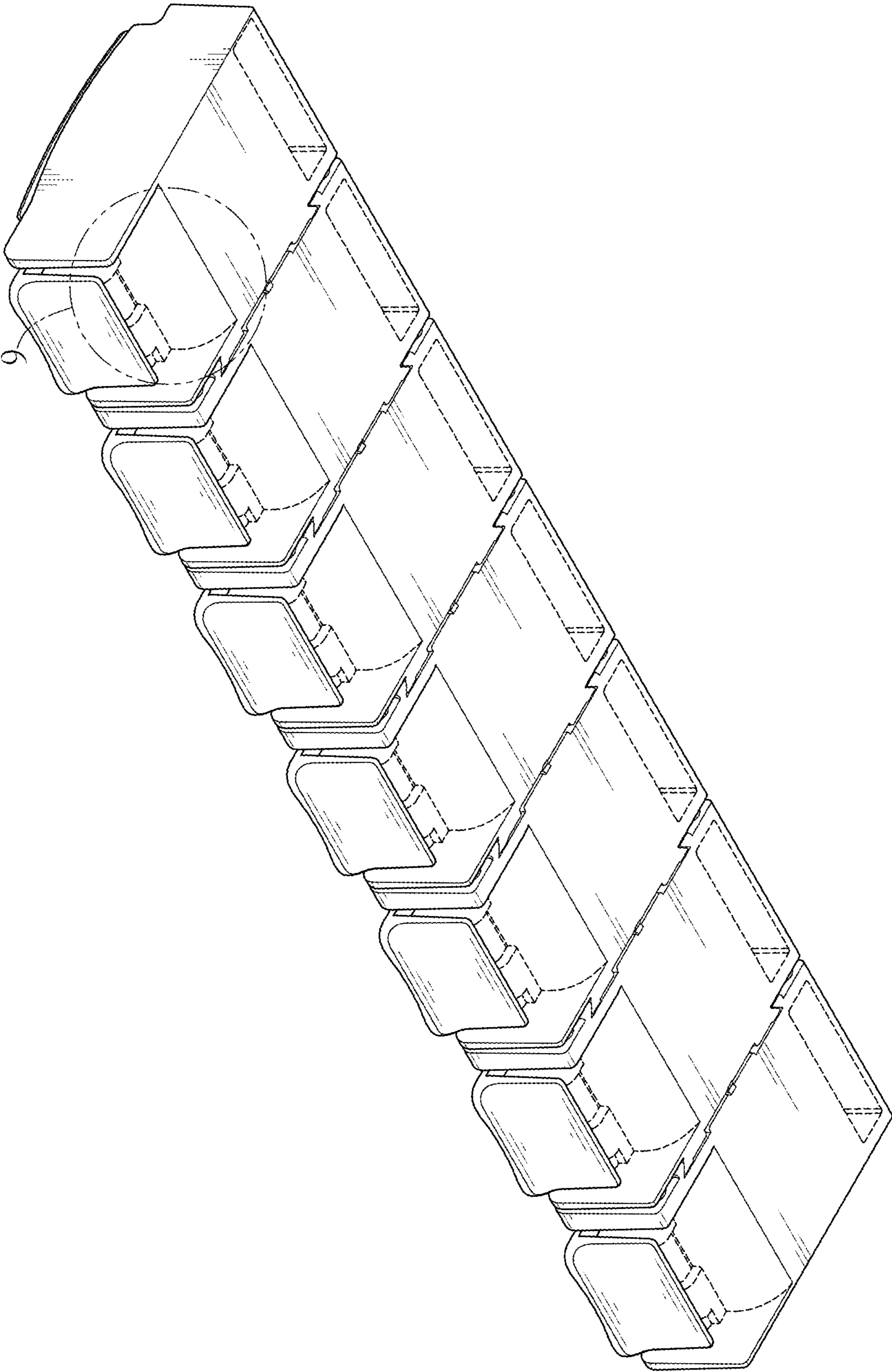


FIG. 2

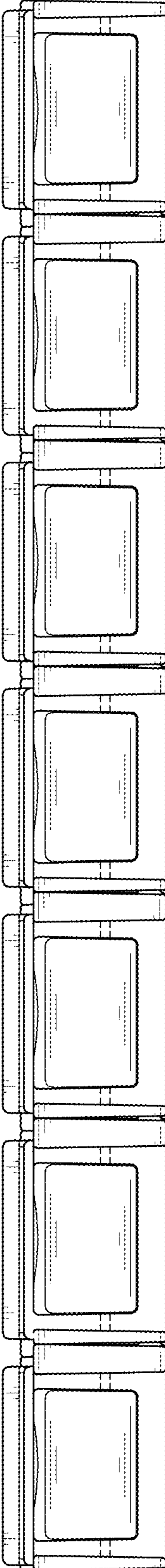


FIG. 3

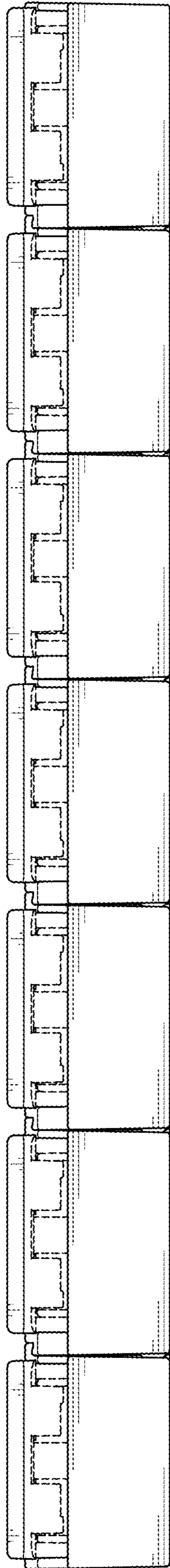


FIG. 4

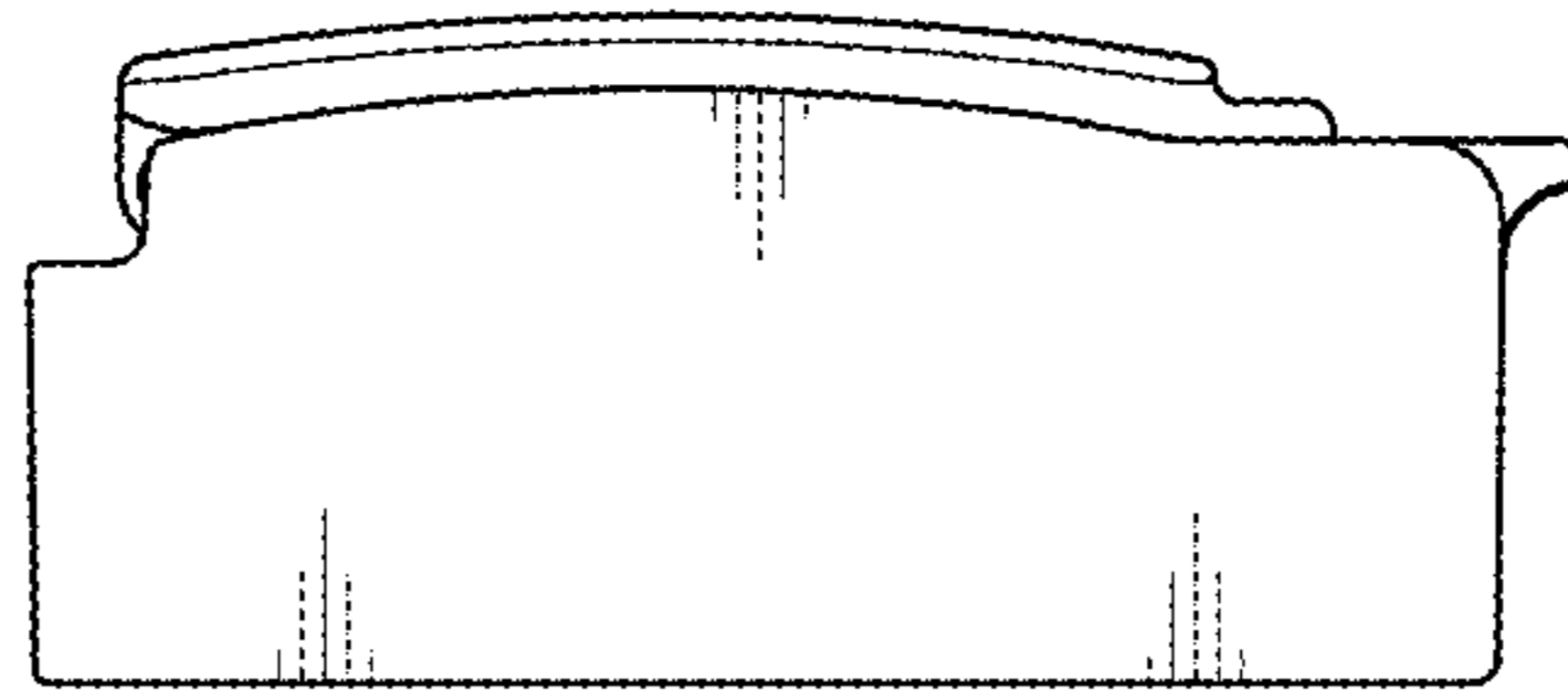


FIG. 5

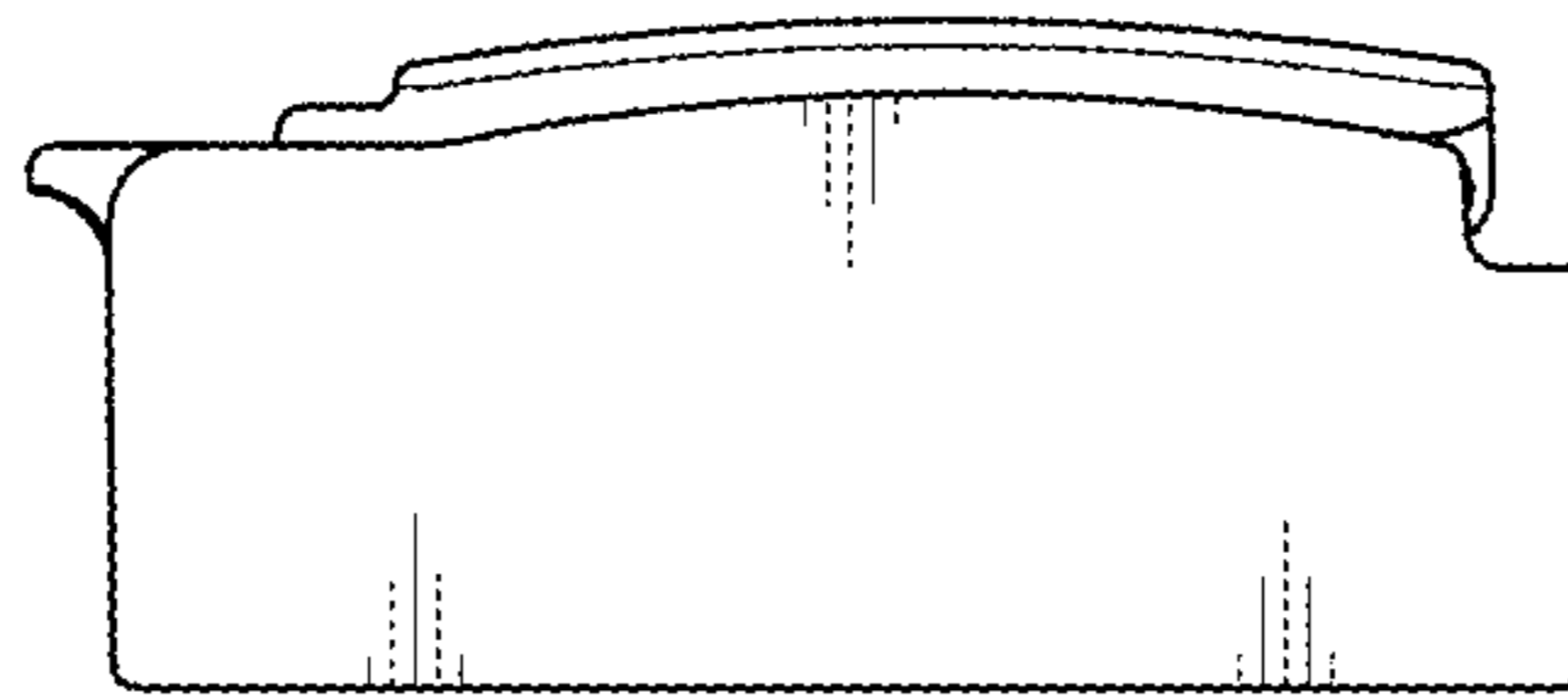


FIG. 6

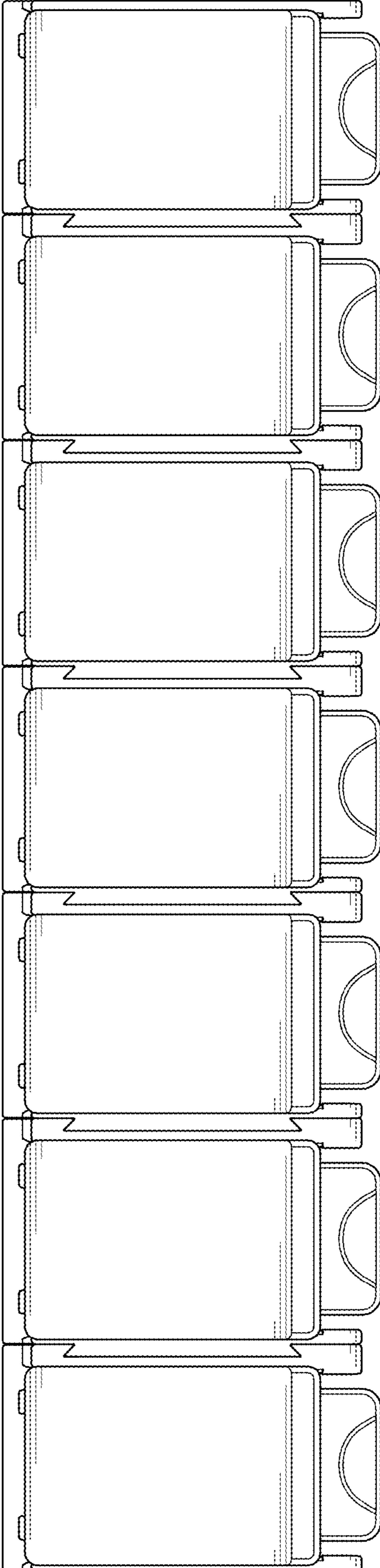


FIG. 7

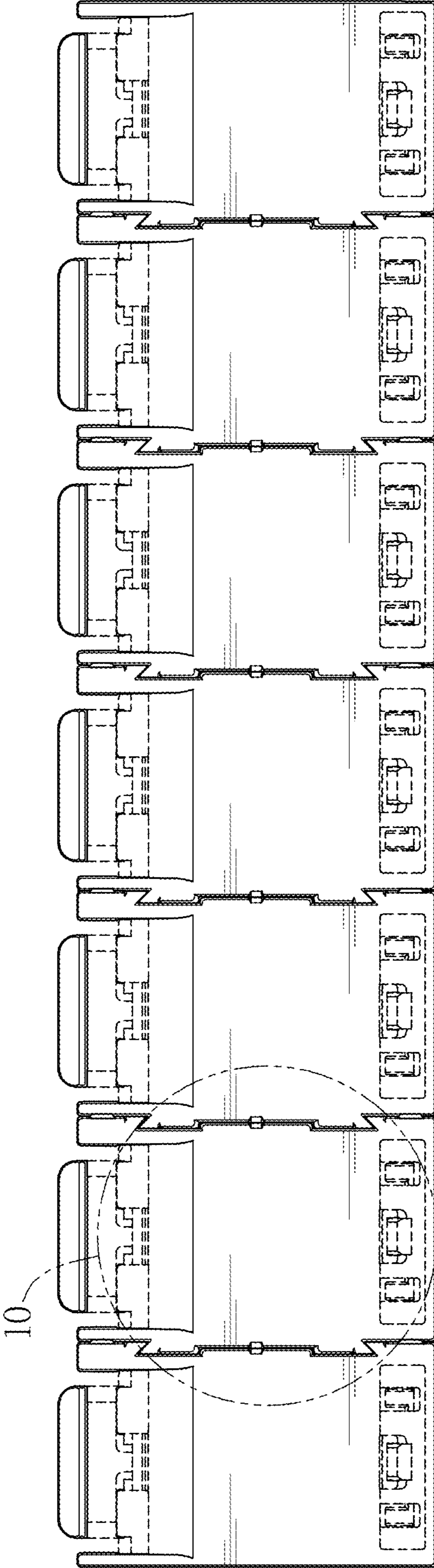


FIG. 8

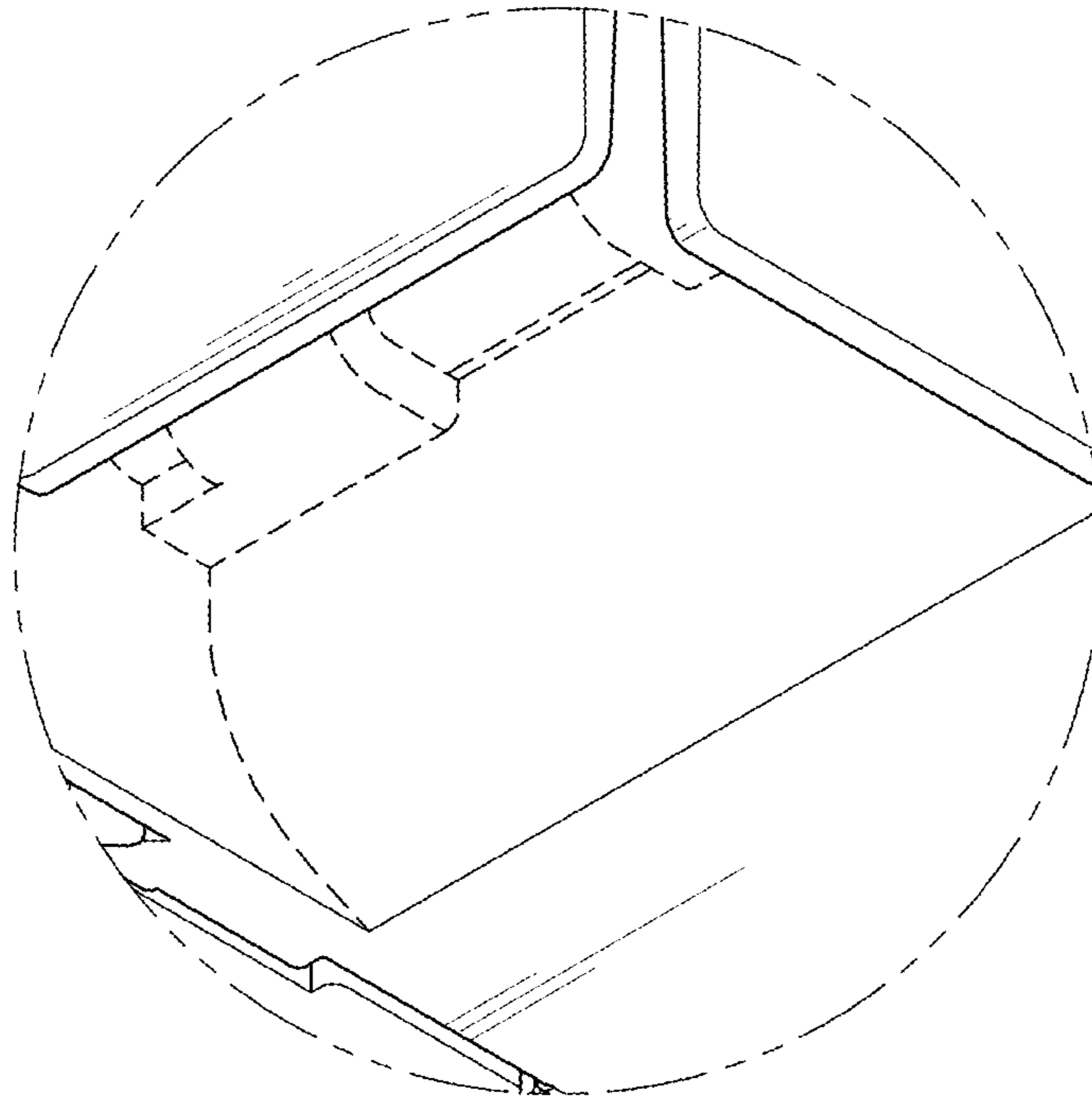


FIG. 9

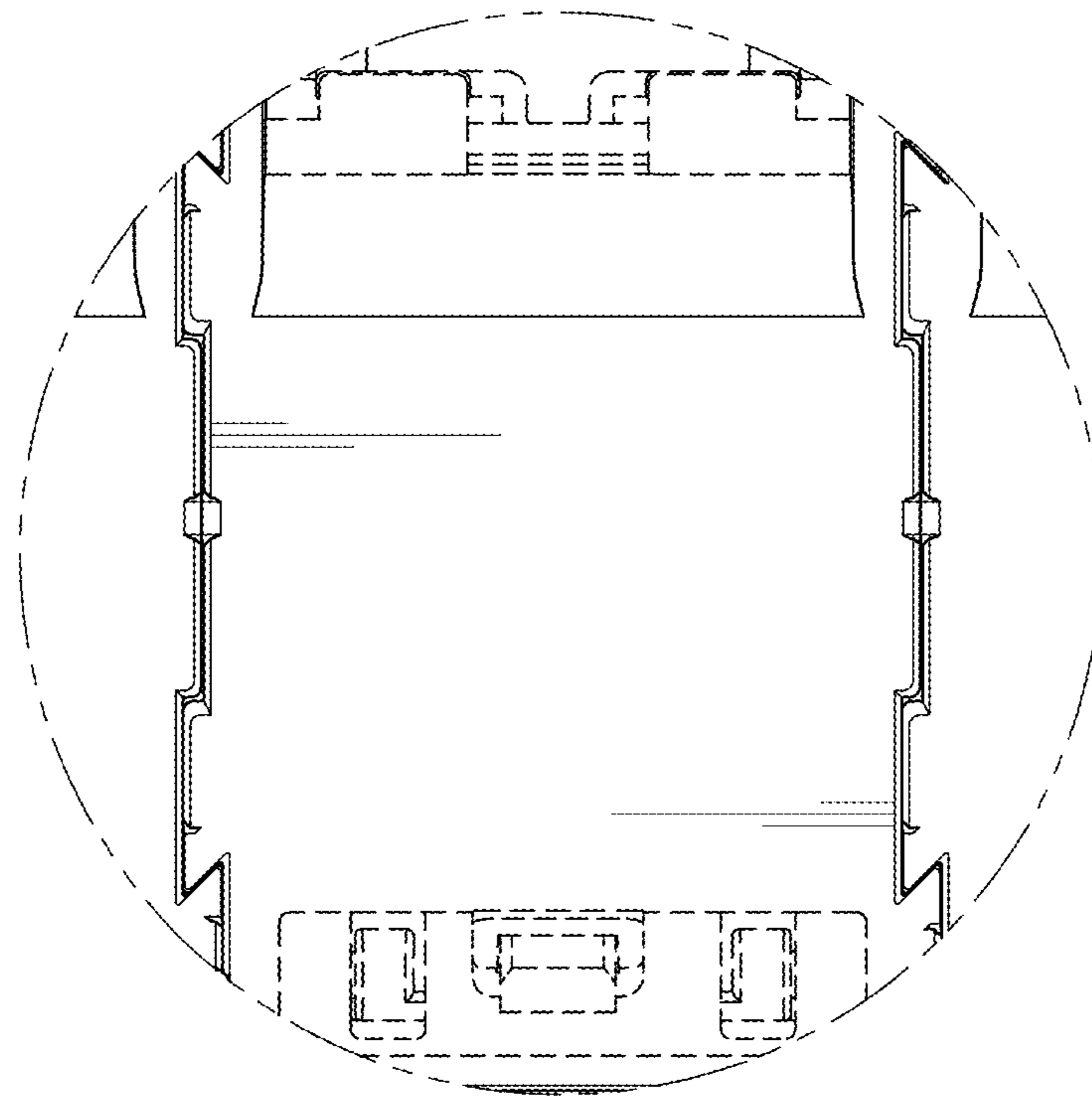


FIG. 10