



US00D898344S

(12) **United States Design Patent** (10) **Patent No.:** **US D898,344 S**
Lee (45) **Date of Patent:** **** Oct. 13, 2020**

(54) **PILL BOX**
(71) Applicant: **E-LINK PLASTIC & METAL INDUSTRIAL CO., LTD.**, New Taipei (TW)
(72) Inventor: **Cheng-Hua Lee**, New Taipei (TW)
(73) Assignee: **E-LINK PLASTIC & METAL INDUSTRIAL CO., LTD.**, New Taipei (TW)

7,395,929 B2 * 7/2008 Keffeler B65D 83/0445
206/528
7,494,012 B1 * 2/2009 Priebe A61J 1/03
206/1.5
D587,898 S * 3/2009 Cetera D3/203.2
7,624,890 B2 * 12/2009 Noble A61J 7/04
206/538
D612,894 S * 3/2010 Evans D21/392
D684,355 S * 6/2013 Priebe D3/203.3
D686,407 S * 7/2013 Mazur D3/203.3
(Continued)

(**) Term: **15 Years**
(21) Appl. No.: **29/687,583**
(22) Filed: **Apr. 13, 2019**
(51) **LOC (12) Cl.** **03-01**
(52) **U.S. Cl.**
USPC **D3/203.3**
(58) **Field of Classification Search**
USPC D3/201, 203.1–203.8, 294, 295; D9/420,
D9/421, 757, 759
CPC B65D 1/36; B65D 2583/04; B65D 83/04;
B65D 83/0445; B65D 83/0481; A61J
1/00; A61J 1/03; A61J 7/04; A61J 7/0084
See application file for complete search history.

OTHER PUBLICATIONS

Fullive Pill Organizer, Daily Pill Organizer—Detachable Weekly Pill Case, Easy Open Push Button Pill Box, BPA-Free 7 Day Medicine Organizer for Fish Oil, Vitamin—(Once-A-Day), amazon.com, https://www.amazon.com/Daily-Pill-Organizer-Once-Day/dp/B07SVXD1BH/ref=psdc_3764251_t2_B004IMKSCQ.*

Primary Examiner — Steven J Cxyz
(74) *Attorney, Agent, or Firm* — Pai Patent & Trademark Law Firm; Chao-Chang David Pai

(57) **CLAIM**

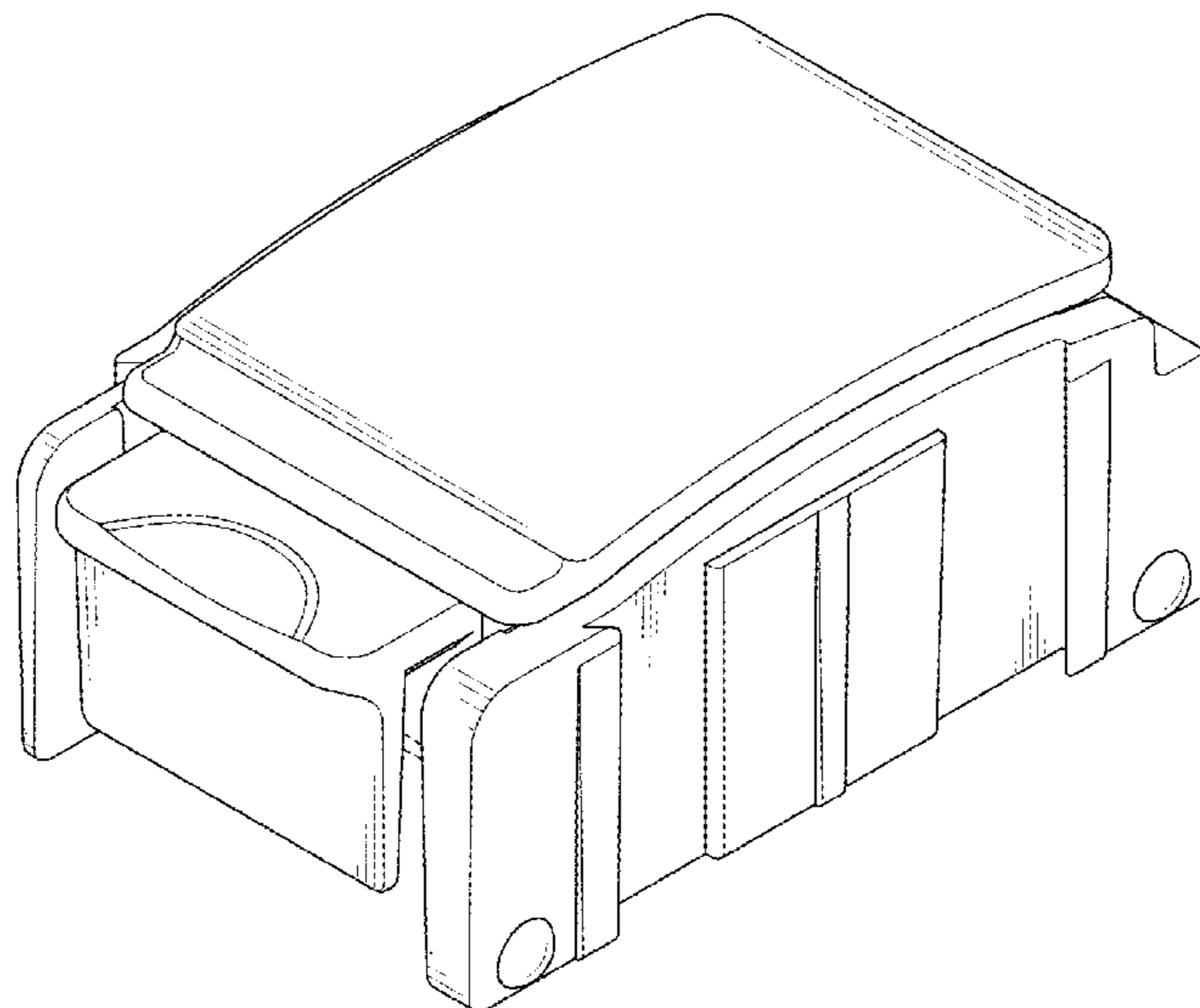
The ornamental design for a pill box, as shown and described.

DESCRIPTION

FIG. 1 is a top perspective view of a pill box showing my new design;
FIG. 2 is a bottom perspective view thereof;
FIG. 3 is a front elevation view thereof;
FIG. 4 is a rear elevation view thereof;
FIG. 5 is a left side elevation view thereof;
FIG. 6 is a right side elevation view thereof;
FIG. 7 is a top plan view thereof; and,
FIG. 8 is a bottom plan view thereof.
The broken lines depict portions of the article that form no part of the claimed design.

(56) **References Cited**
U.S. PATENT DOCUMENTS
D227,552 S * 7/1973 Bridges et al. D3/203.3
D253,933 S * 1/1980 Bridges D3/203.3
D281,225 S * 11/1985 Leman D3/203.3
4,735,318 A * 4/1988 Keffeler A61J 1/03
206/532
D298,803 S * 12/1988 Ebling D3/203.3
D304,905 S * 12/1989 Zimmerman D3/203.3
D415,958 S * 11/1999 Noble D3/203.3
D418,288 S * 1/2000 Priebe D3/201
D457,819 S * 5/2002 Noble D10/40
D522,742 S * 6/2006 Priebe D3/203.3
D525,777 S * 8/2006 Priebe D3/203.3
D545,563 S * 7/2007 Margiotta D3/203.3

1 Claim, 8 Drawing Sheets



(56)

References Cited

U.S. PATENT DOCUMENTS

D691,366	S	*	10/2013	Muncy	D3/203.3
D696,007	S	*	12/2013	Priebe	D3/203.3
D696,008	S	*	12/2013	Priebe	D3/203.3
D696,010	S	*	12/2013	Priebe	D3/203.3
D696,856	S	*	1/2014	Priebe	D3/203.3
D697,303	S	*	1/2014	Priebe	D3/203.3
D698,141	S	*	1/2014	Priebe	D3/203.3
D698,540	S	*	2/2014	Priebe	D3/203.3
D703,943	S	*	5/2014	Priebe	D3/203.3
D709,282	S	*	7/2014	Priebe	D3/203.3
D727,011	S	*	4/2015	Priebe	D3/203.3
D747,869	S	*	1/2016	Priebe	D3/203.3
9,289,354	B2	*	3/2016	Ryan	A61J 1/03
D775,462	S	*	1/2017	Noble	D3/203.3
D812,368	S	*	3/2018	Noble	D3/203.3
9,937,101	B2	*	4/2018	Sheu	A61J 7/0084
D831,331	S	*	10/2018	Lee	D3/203.3
D833,733	S	*	11/2018	Chen	D3/203.3
D850,782	S	*	6/2019	Lee	D3/203.3
10,420,703	B1	*	9/2019	Lee	A61J 7/0084
D877,489	S	*	3/2020	Lee	D3/203.2
D882,941	S	*	5/2020	Deluca	D3/203.3

* cited by examiner

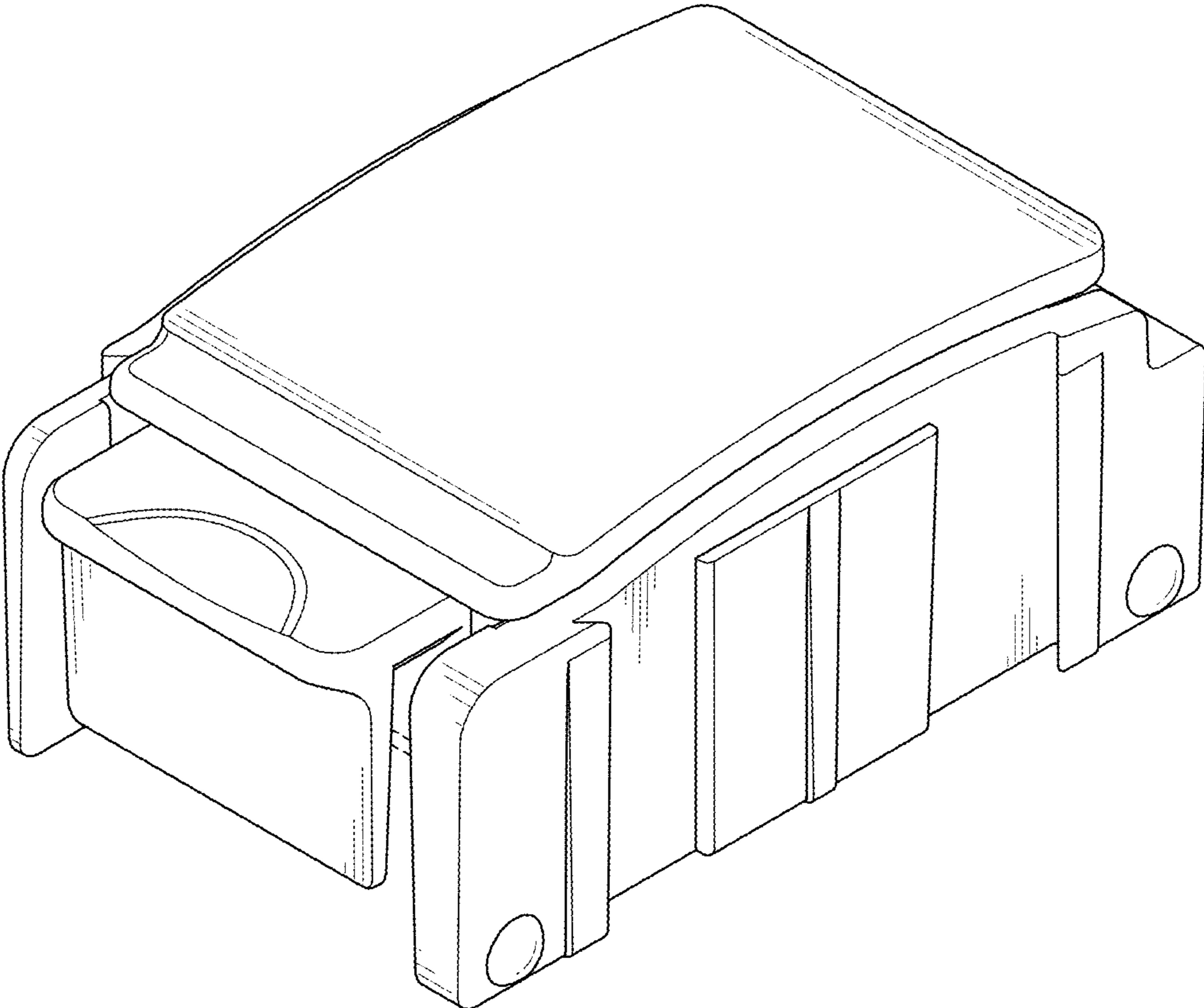


FIG. 1

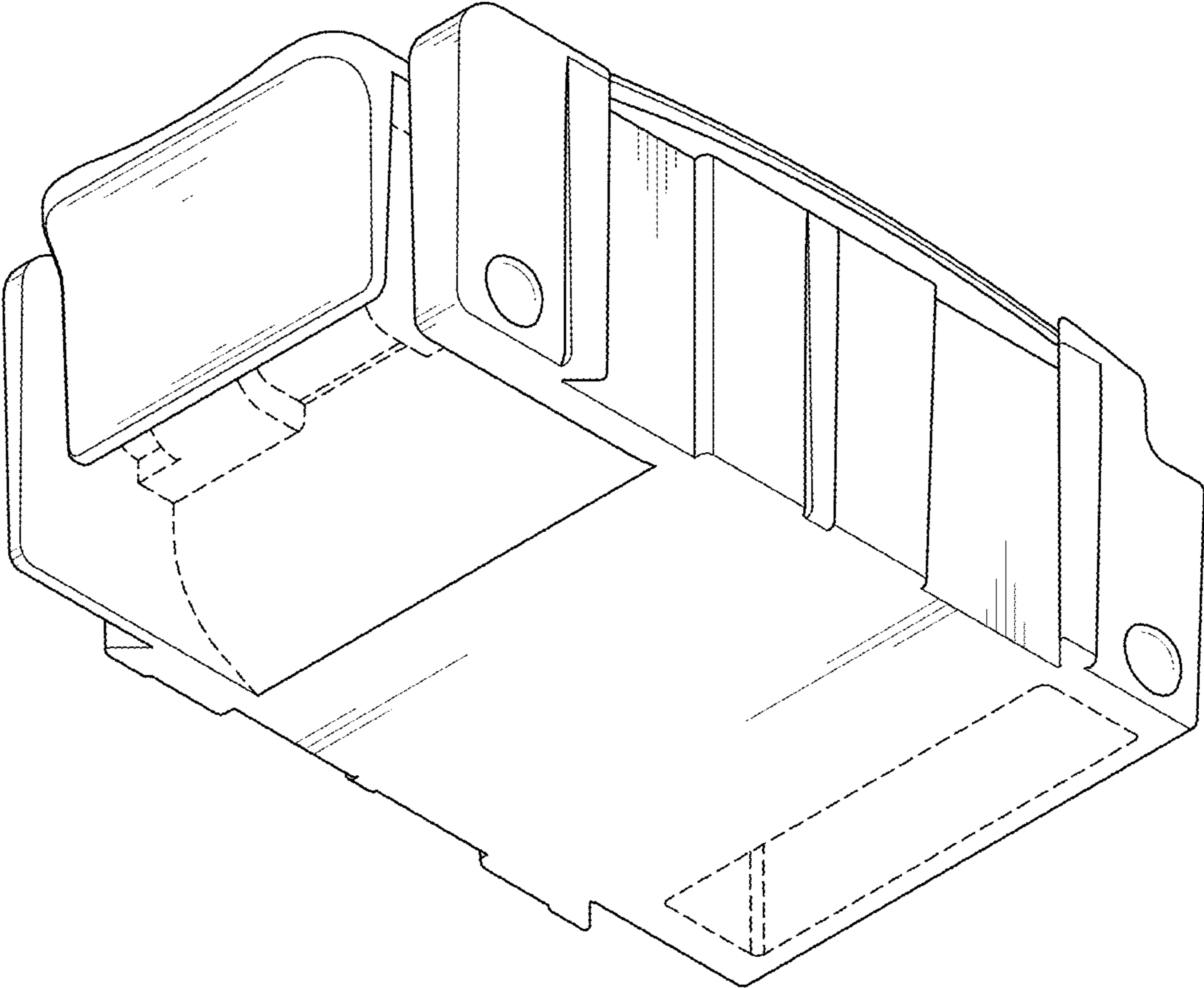


FIG. 2

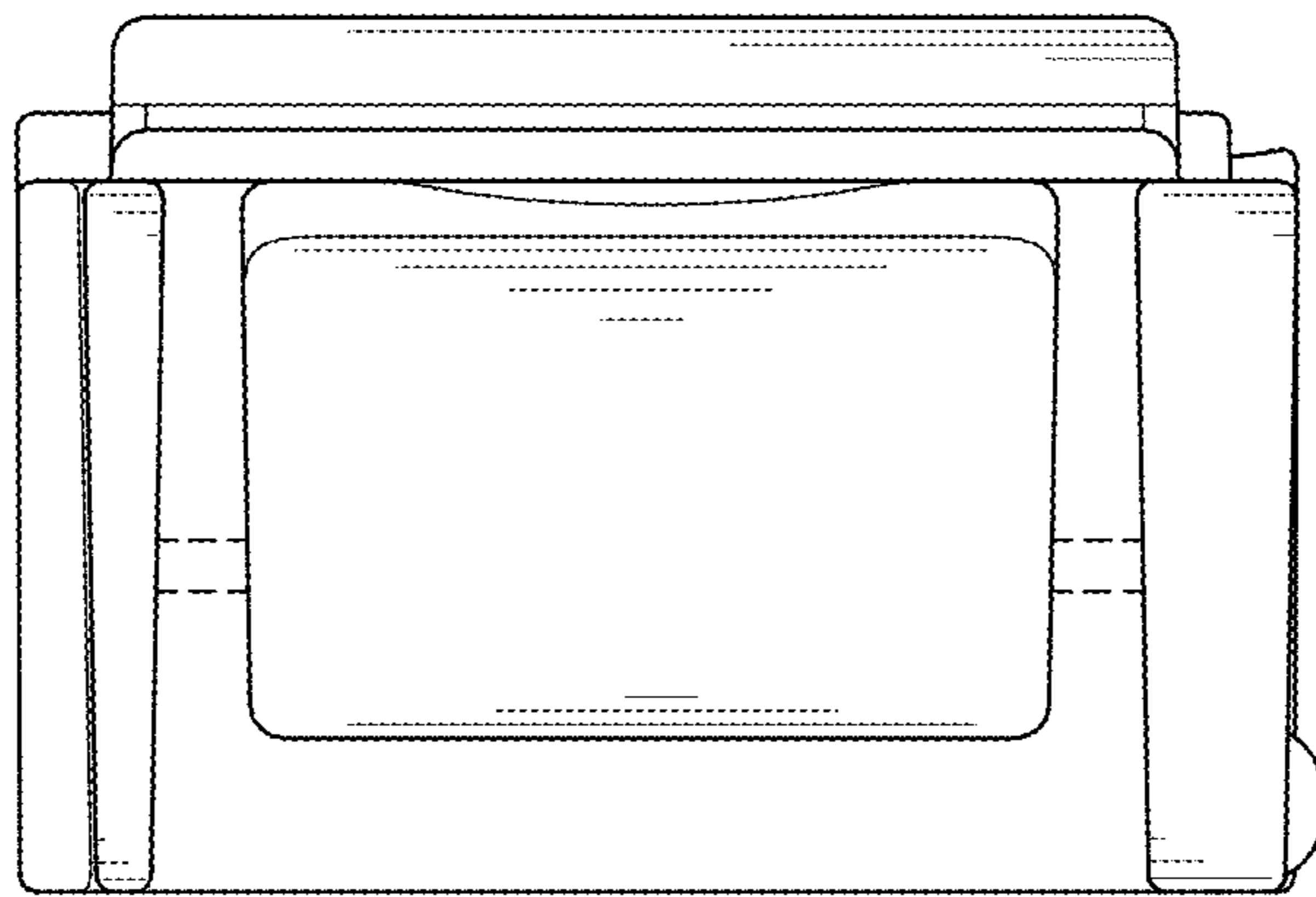


FIG. 3

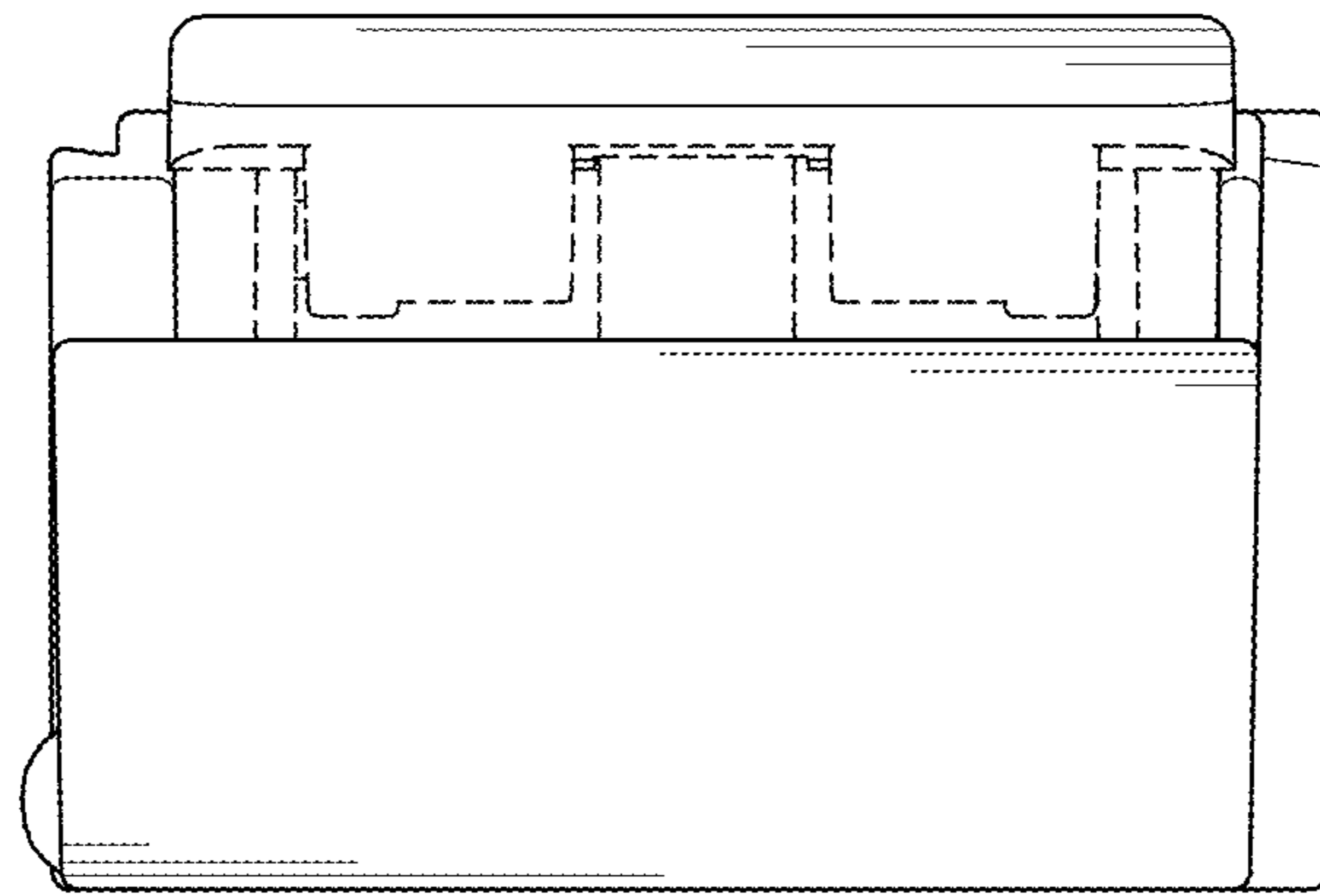


FIG. 4

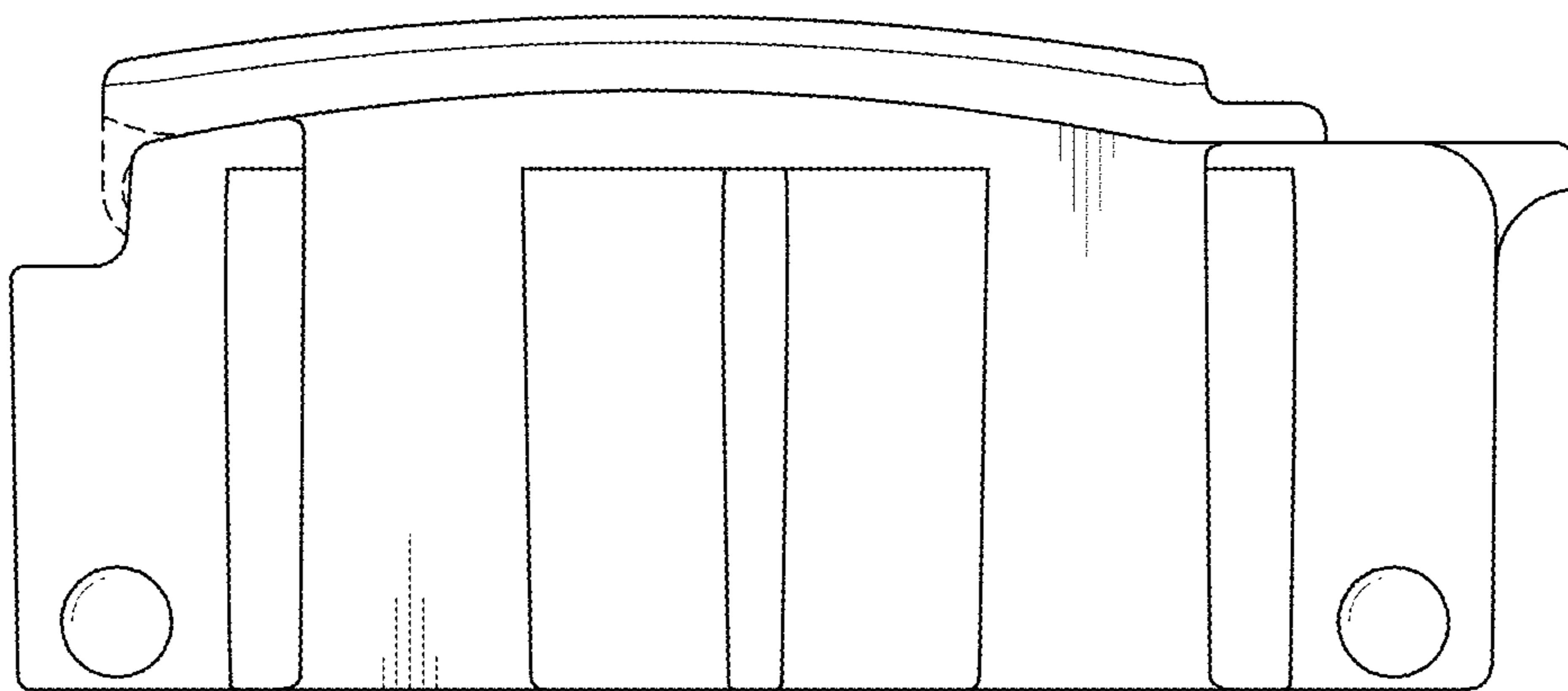


FIG. 5

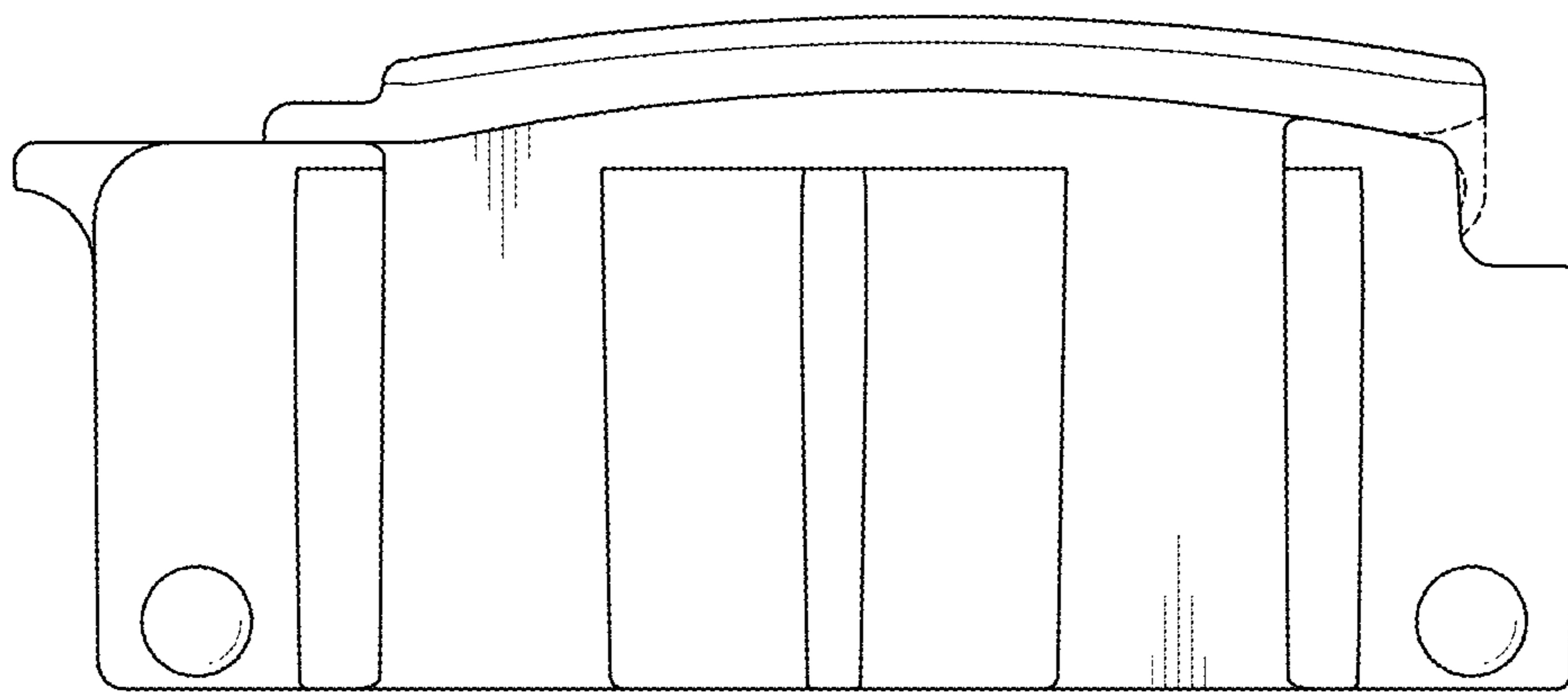


FIG. 6

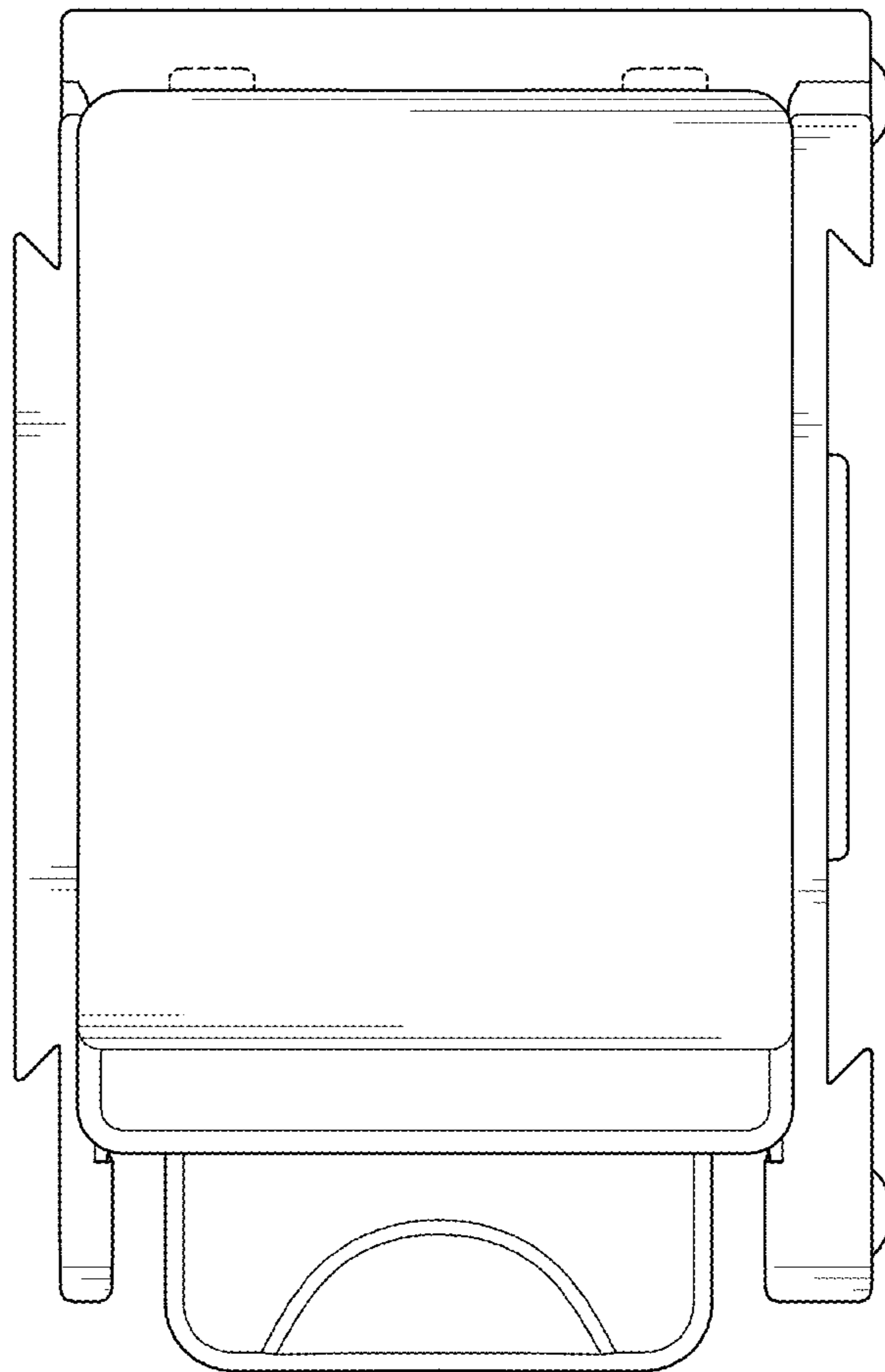


FIG. 7

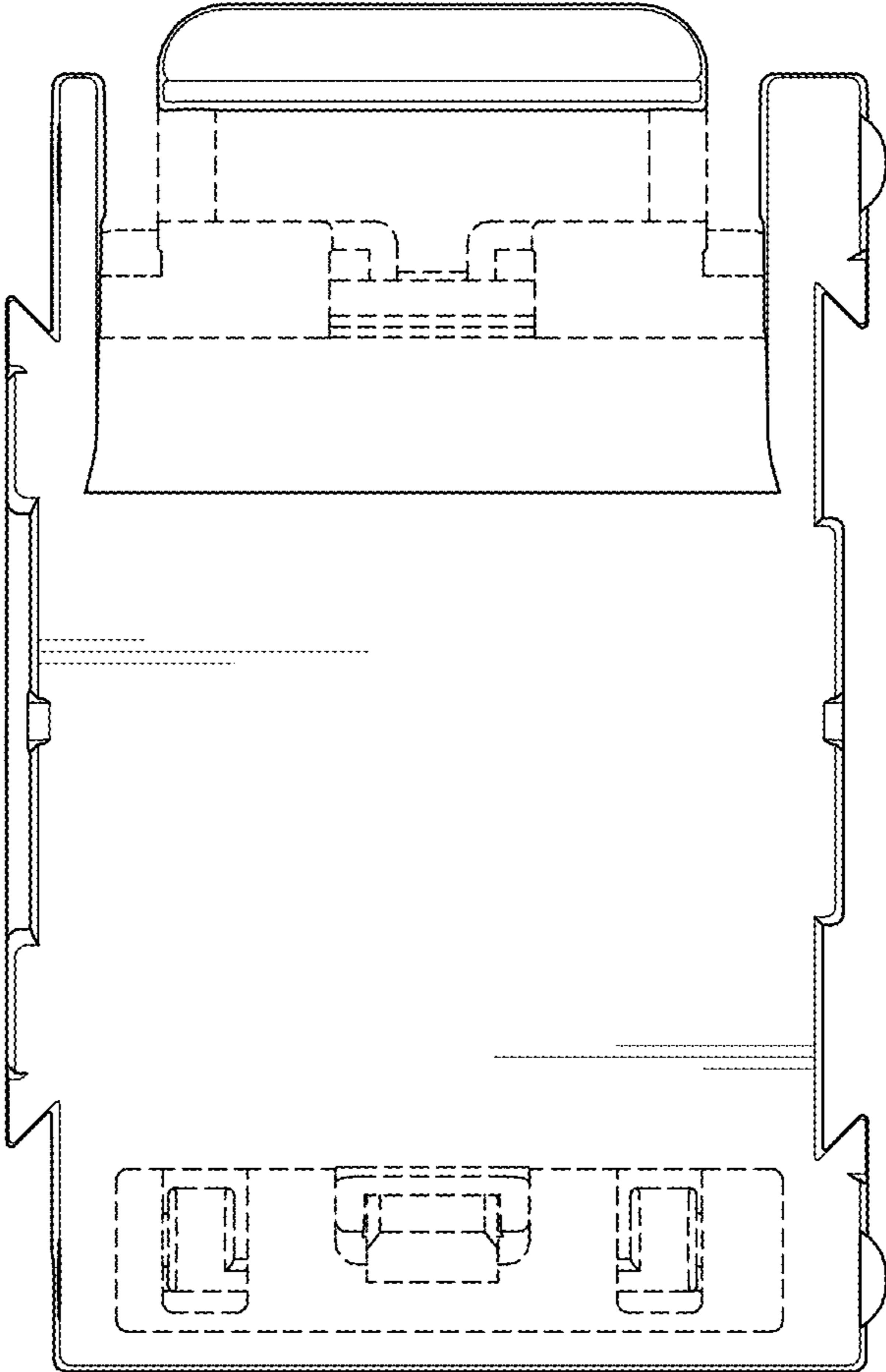


FIG. 8