

US00D898340S

(12) **United States Design Patent** (10) **Patent No.:** **US D898,340 S**  
**Cindrach** (45) **Date of Patent:** **\*\* Oct. 13, 2020**

(54) **CANE WITH HOLDER**  
(71) Applicant: **John Cindrach**, Niagara Falls, NY (US)  
(72) Inventor: **John Cindrach**, Niagara Falls, NY (US)  
(\*\*) Term: **15 Years**  
(21) Appl. No.: **29/693,775**  
(22) Filed: **Jun. 5, 2019**  
(51) **LOC (12) Cl.** ..... **03-03**  
(52) **U.S. Cl.**  
USPC ..... **D3/7**  
(58) **Field of Classification Search**  
USPC ..... D3/5, 6, 7, 8, 9, 10, 12, 13, 14, 16  
CPC .... A45B 1/00; A45B 3/00; A45B 9/00; A45B  
1/04; A61H 3/02; A61H 3/06  
See application file for complete search history.

6,502,283 B1 \* 1/2003 Aguirre ..... A45B 1/04  
135/65  
7,422,188 B1 \* 9/2008 Schlosser ..... A45B 1/04  
224/407  
8,215,325 B2 \* 7/2012 Montanti ..... A45B 1/00  
135/65  
D723,262 S \* 3/2015 Macmillan ..... D3/10  
D725,844 S \* 3/2015 Church ..... D3/7  
9,307,855 B2 \* 4/2016 Widess ..... A47G 25/12  
D767,874 S \* 10/2016 Berberian ..... D3/7  
D787,173 S \* 5/2017 Parnell ..... D3/10  
D831,329 S \* 10/2018 Barahona ..... D3/10  
D831,950 S \* 10/2018 Minster ..... D3/7  
10,092,067 B2 \* 10/2018 Van Varick ..... A45B 1/00  
D877,485 S \* 3/2020 Rampersaud ..... D3/10  
2009/0056777 A1 \* 3/2009 Lawhead ..... A45B 3/04  
135/66

\* cited by examiner

*Primary Examiner* — Steven J Czyz  
(74) *Attorney, Agent, or Firm* — Sanchelima &  
Associates, P.A.; Christian Sanchelima; Jesus Sanchelima

(56) **References Cited**

U.S. PATENT DOCUMENTS

2,210,493 A \* 8/1940 Lisi ..... A45B 3/00  
135/66  
4,300,742 A \* 11/1981 Hunn ..... A47G 25/12  
248/229.26  
4,605,190 A \* 8/1986 Kamp ..... A45B 1/00  
248/229.26  
4,895,330 A \* 1/1990 Anstead ..... A45B 1/04  
248/229.12  
D325,297 S \* 4/1992 Lipscomb ..... D22/117  
D329,133 S \* 9/1992 Ragatz ..... D3/7  
D329,822 S \* 9/1992 Francisco ..... D10/104.1  
5,351,704 A \* 10/1994 Hunnicutt, Jr. .... A45B 3/04  
135/65  
5,636,650 A \* 6/1997 Kroeze ..... A45B 3/00  
135/66  
D408,127 S \* 4/1999 Chapman ..... D3/7

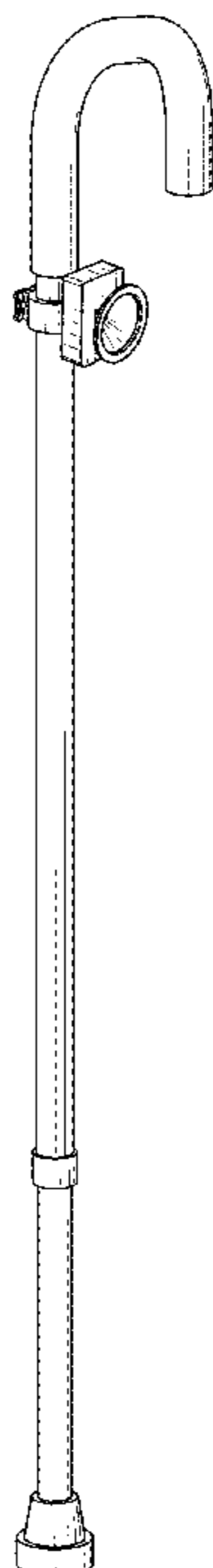
(57) **CLAIM**

The ornamental design for a cane with holder, as shown and described.

**DESCRIPTION**

FIG. 1 is an isometric top view of a cane with holder showing my new design;  
FIG. 2 is a front view thereof;  
FIG. 3 is a rear view thereof;  
FIG. 4 is a left side view thereof;  
FIG. 5 is a right side view thereof;  
FIG. 6 is a top view thereof; and,  
FIG. 7 is a bottom view thereof showing my design.

**1 Claim, 5 Drawing Sheets**



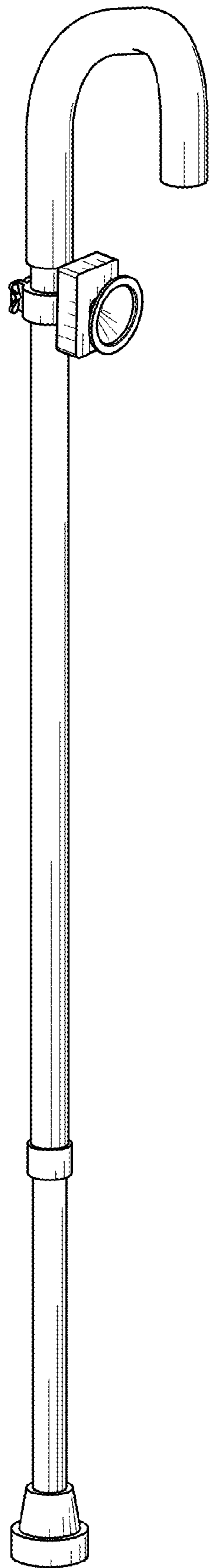


FIG. 1

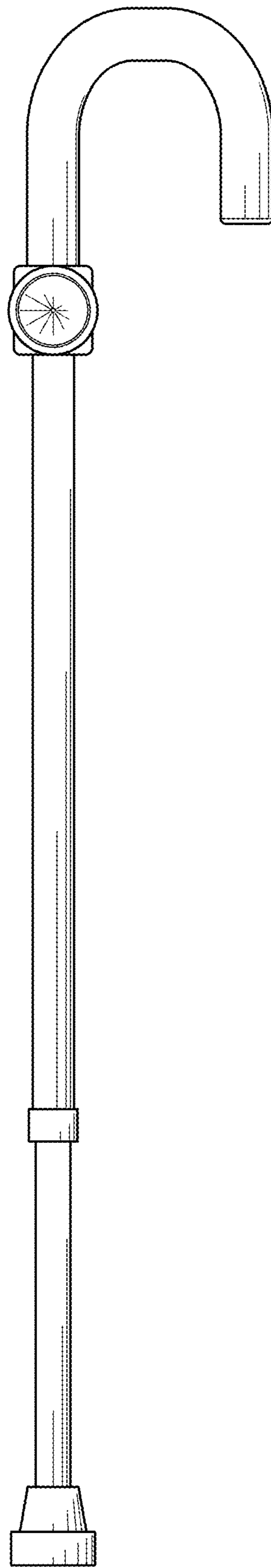


FIG. 2

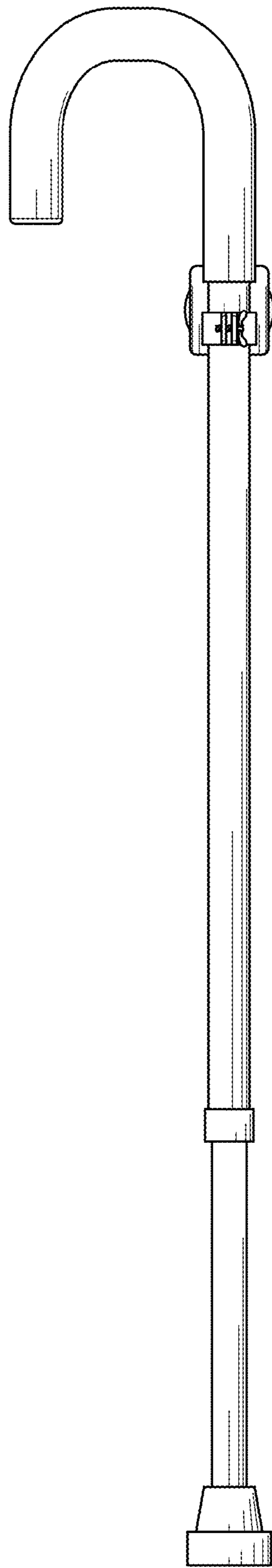


FIG. 3

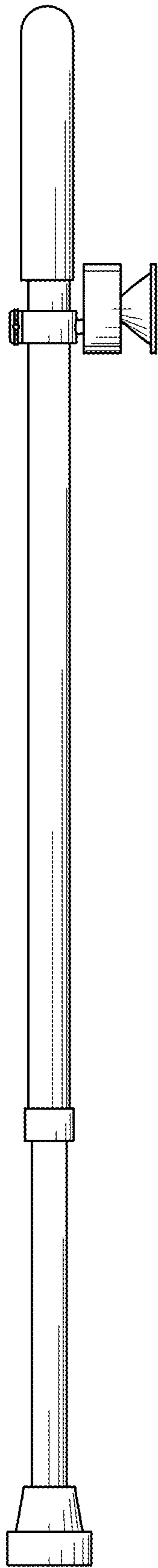


FIG. 4

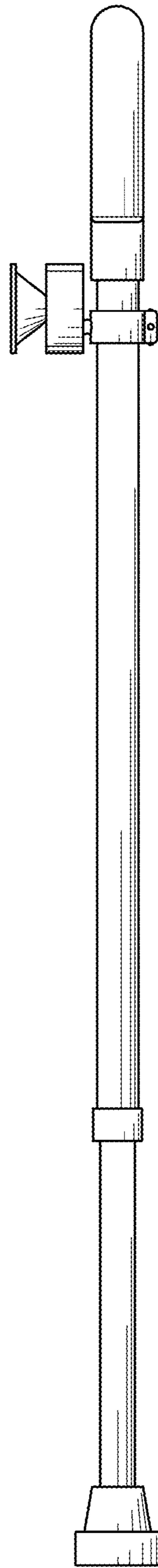


FIG. 5

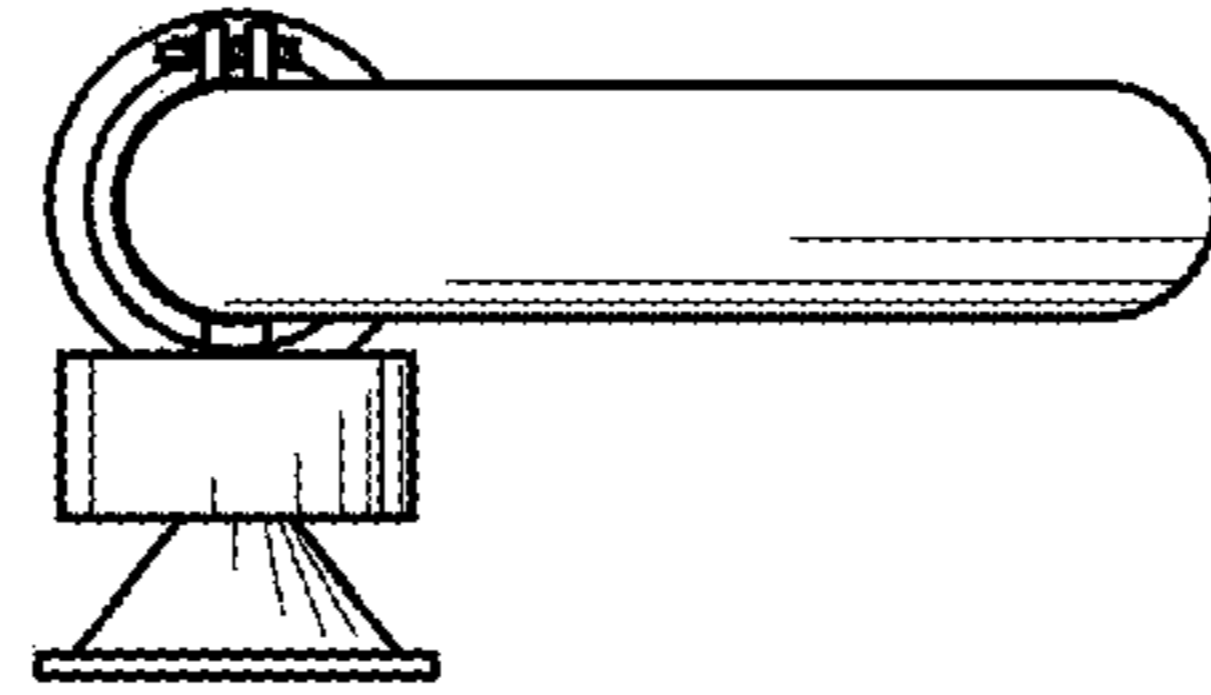


FIG. 6

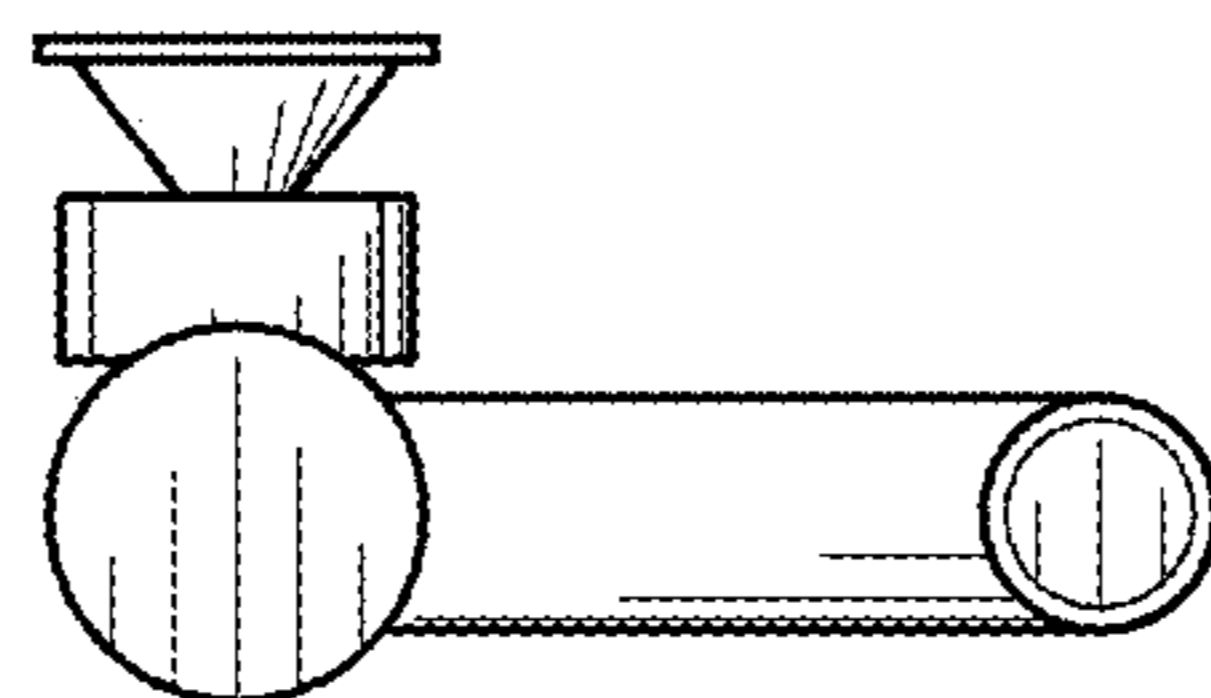


FIG. 7