



US00D898339S

(12) **United States Design Patent** (10) **Patent No.:** **US D898,339 S**
Prybella (45) **Date of Patent:** **** Oct. 13, 2020**

(54) **TREAD DESIGN FOR SOCKS**

(71) Applicant: **INTEPLAST GROUP CORPORATION**, Livingston, NJ (US)

(72) Inventor: **John R. Prybella**, Lake Grove, NY (US)

(73) Assignee: **Inteplast Group Corporation**, Livingston, NJ (US)

(**) Term: **15 Years**

(21) Appl. No.: **29/602,511**

(22) Filed: **May 1, 2017**

(51) **LOC (12) Cl.** **02-04**

(52) **U.S. Cl.**
USPC **D2/980**; D2/960

(58) **Field of Classification Search**
USPC D2/896, 900, 903, 909-911, 919, 953,
D2/960, 980, 993, 994; 36/45, 50.1, 83,
(Continued)

(56) **References Cited**

U.S. PATENT DOCUMENTS

D185,953 S 8/1959 MacLeod
D247,998 S * 5/1978 Lobosco D2/953
(Continued)

OTHER PUBLICATIONS

New!! Stedi Tred Fall Prevention Slippers. Medegen Medical Products website. www.medegenmed.com. Mar. 23, 2016 (Year: 2016).*

Primary Examiner — Rashida C. Walshon
(74) *Attorney, Agent, or Firm* — Matthew D. Thayne;
Thayne and Davis LLC

(57) **CLAIM**

The ornamental design for a tread design for socks, as shown and described herein.

DESCRIPTION

FIG. 1 is a perspective view of a tread design for socks showing my new design.

FIG. 2 is a bottom plan view thereof.

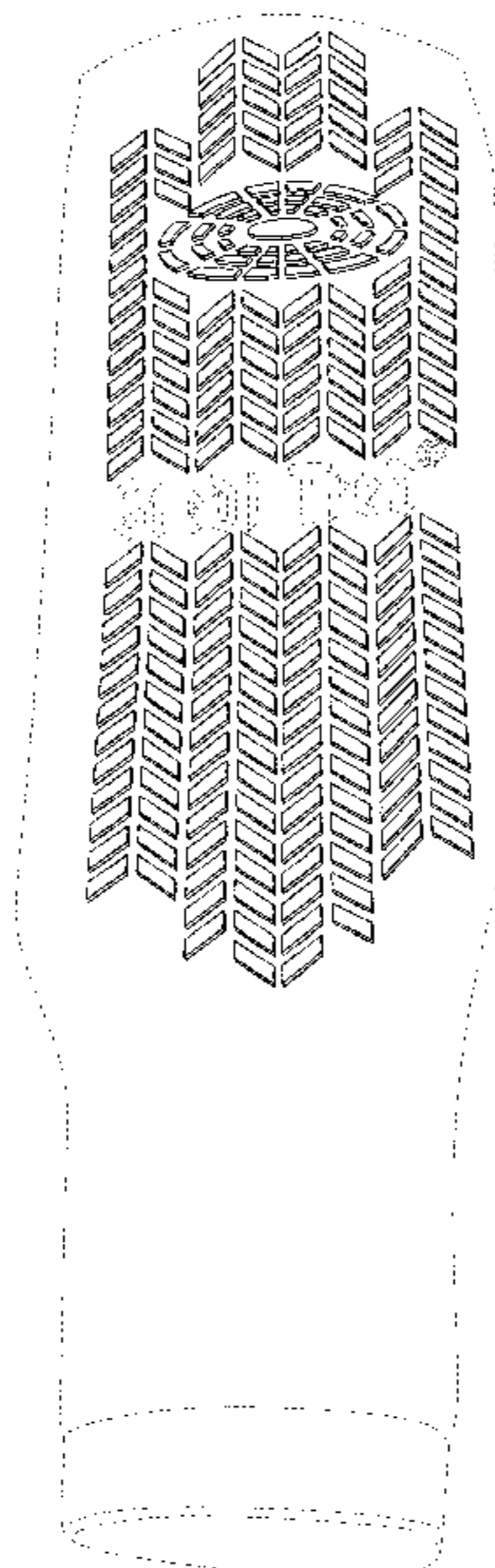
FIG. 3 is a top plan view of the tube sock of FIG. 1, indicating that the design may, for certain types of socks, be applied to both sides of the sock, although the design is shown in dashed lines in this figure to indicate that the claimed design need not be applied to both sides of a sock.

FIG. 4 is a bottom view of the tread design for socks applied to an alternative environment in use, such as a fitted sock, indicating that this design, or any of the other designs disclosed herein, may be applied to different types of socks. The opposite side of the sock is not shown, indicating that this design may be applied to partially extend over the heel portion of the sock; and,

FIG. 5 is another bottom view of the tread design for socks applied to an alternative environment in use, indicating that this design may be applied to partially extend over the heel portion of the sock.

The portions of the drawings shown in broken lines illustrate portions of the sock and/or design that form no part of the claimed design. For example, the broken lines in each of the figures illustrating the socks constitute environmental matter and form no part of the claimed design. Similarly, the broken lines in FIGS. 4 and 5 illustrating the leg of a person wearing a sock constitute environmental matter and form no part of the claimed design. The text shown in broken lines in the drawings illustrate portions of the design that form no part of the claimed design. In addition, although the entire design is illustrated in FIG. 3 in dashed lines and therefore, as mentioned above, forms no part of the claimed design, applicant reserves the right to replace these dashed lines with solid lines in subsequent applications.

1 Claim, 5 Drawing Sheets



(58) **Field of Classification Search**

USPC 36/113, 114, 127, 1.7 R, 47.3, 81, 9 R,
36/7.3, 7.1 R; D24/192

See application file for complete search history.

(56) **References Cited**

U.S. PATENT DOCUMENTS

D275,715 S	10/1984	Boone	
D292,345 S	10/1987	Hubbard	
D305,384 S *	1/1990	Hubbard	D2/919
D308,747 S *	6/1990	Brinker	D2/946
D308,905 S *	7/1990	Brinker	D2/946
D316,476 S *	4/1991	Brinker	D2/946
D476,139 S *	6/2003	Reynolds	D2/946
6,766,536 B1	7/2004	Aarons	
7,012,525 B1	3/2006	Ghioto	
7,346,935 B1	3/2008	Patterson	
D647,294 S *	10/2011	Thelin	D2/981
D649,756 S *	12/2011	Thornhill	D2/951
D664,349 S	7/2012	Sudit	
D707,034 S *	6/2014	Hennink	D2/980
D744,741 S	12/2015	Amis	
D773,796 S	12/2016	Hobgood	
D774,296 S	12/2016	Patterson	
D790,824 S *	7/2017	Shen	D2/951
D840,669 S *	2/2019	Carter	D2/980
D871,749 S *	1/2020	Shayefar	D2/980
2005/0091725 A1	5/2005	Alley	
2005/0144703 A1	7/2005	Hilbert	
2014/0298569 A1	10/2014	Lee	
2014/0311187 A1	10/2014	Amarasiriwardena et al.	

* cited by examiner

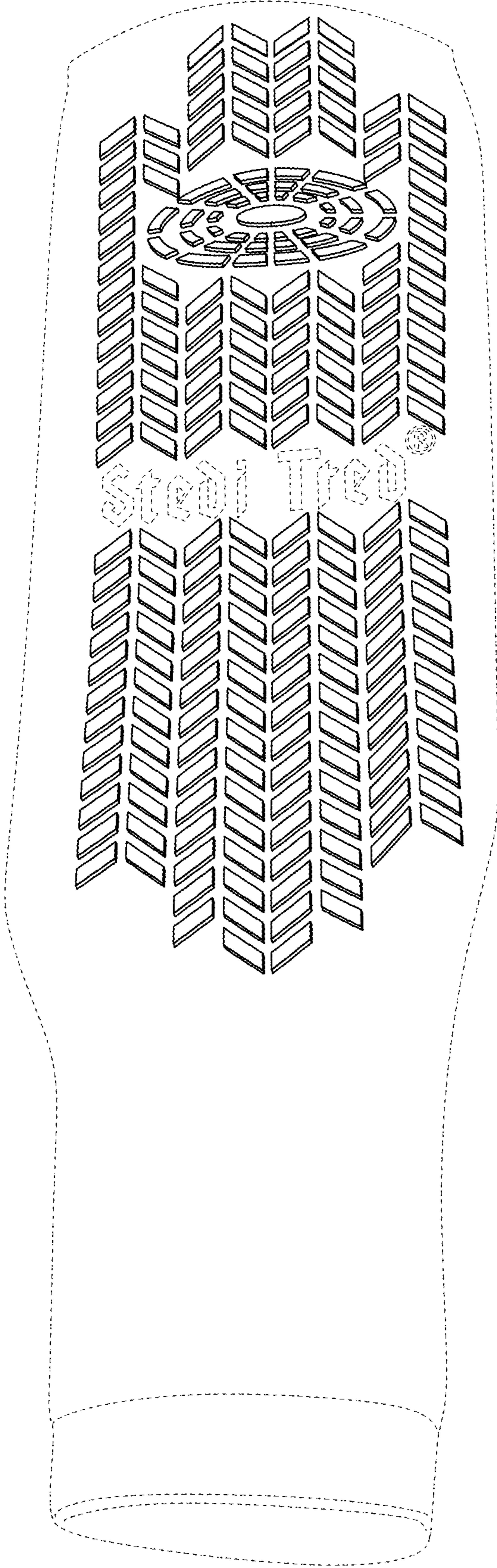


FIG. 1

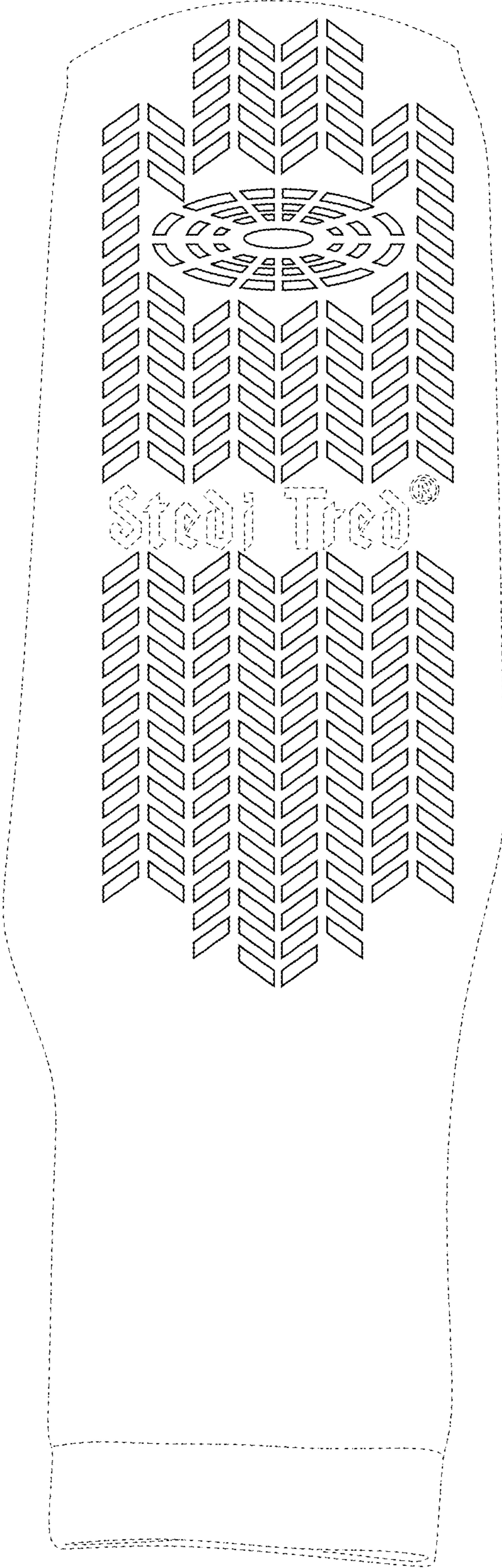


FIG. 2

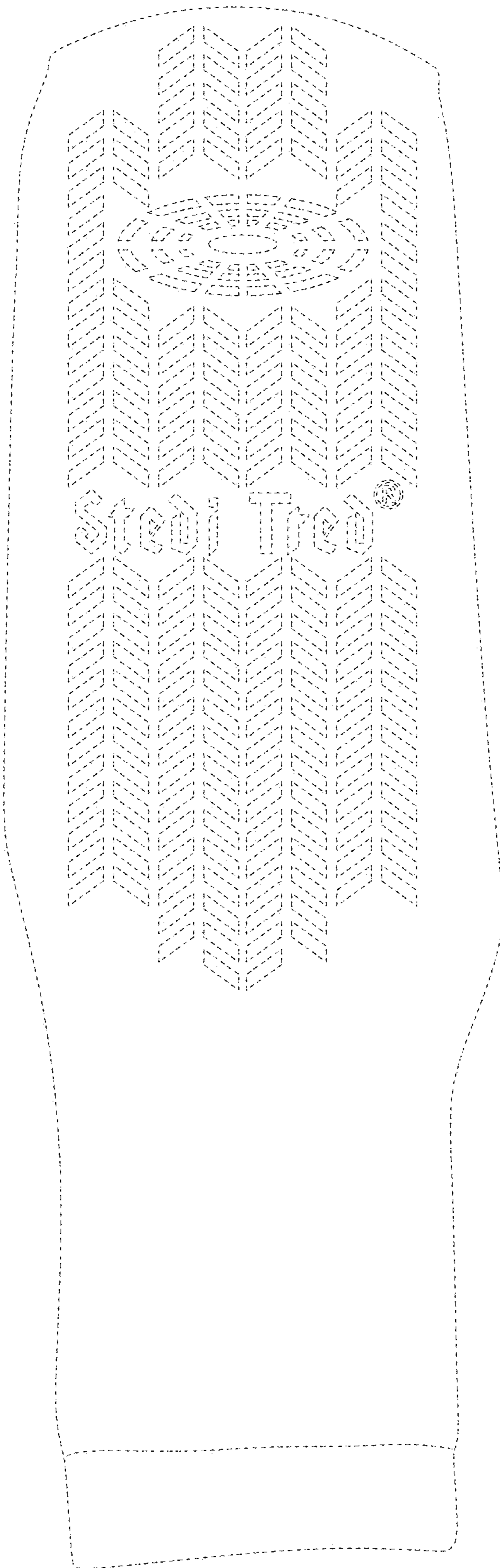


FIG. 3

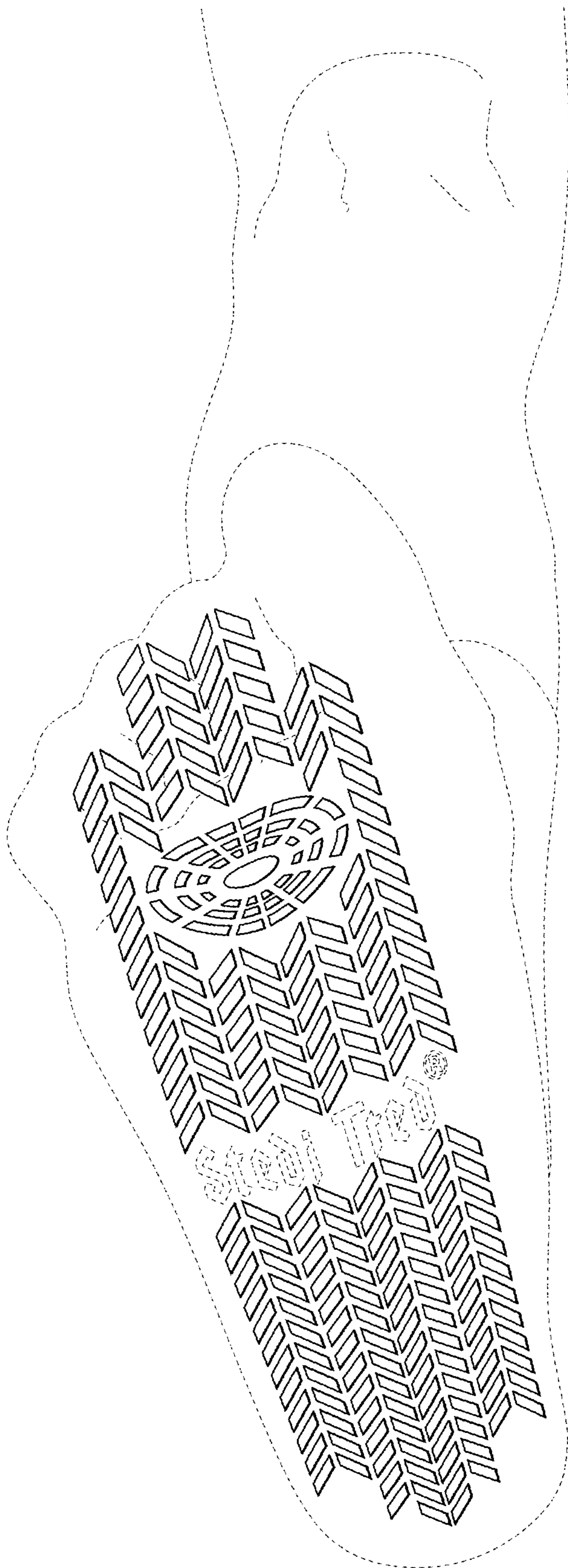


FIG. 4

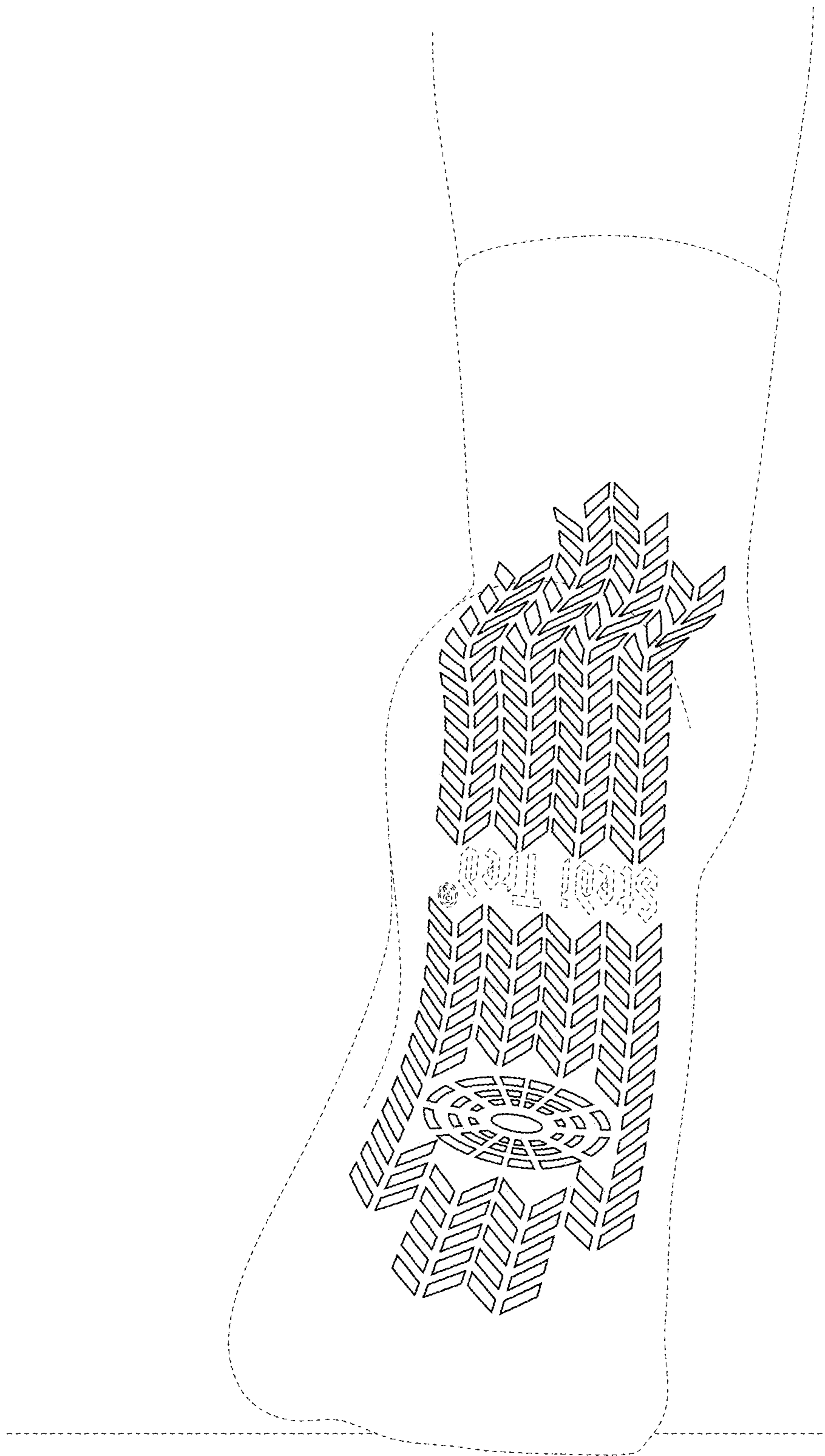


FIG. 5