



US00D898330S

(12) **United States Design Patent** (10) **Patent No.:** **US D898,330 S**
Duvall (45) **Date of Patent:** **** Oct. 13, 2020**

(54) **VISOR WITH MOVEABLE BRIM**
(71) Applicant: **The Boulevard Group, LLC,**
Alpharetta, GA (US)
(72) Inventor: **Jim Duvall,** Alpharetta, GA (US)
(73) Assignee: **The Boulevard Group, LLC,**
Alpharetta, GA (US)
(**) Term: **15 Years**
(21) Appl. No.: **29/671,953**
(22) Filed: **Nov. 30, 2018**
(51) **LOC (12) Cl.** **02-03**
(52) **U.S. Cl.**
USPC **D2/876**
(58) **Field of Classification Search**
USPC D2/865, 866, 871, 872, 873, 875, 876,
D2/882, 884, 893
CPC .. A42B 1/00; A42B 1/004; A42B 1/02; A42B
1/06; A42B 1/062; A42B 1/201; A42B
1/22; A42B 1/225; A42B 1/24
See application file for complete search history.

D424,788 S * 5/2000 Davis D2/865
D592,834 S * 5/2009 Keiser D2/884
D621,137 S * 8/2010 Byrne D2/876
D764,149 S * 8/2016 Vazquez Hernandez D2/882
9,894,952 B2 * 2/2018 Hayes A42B 1/02
2005/0283879 A1 * 12/2005 Graves A61F 9/045
2/15

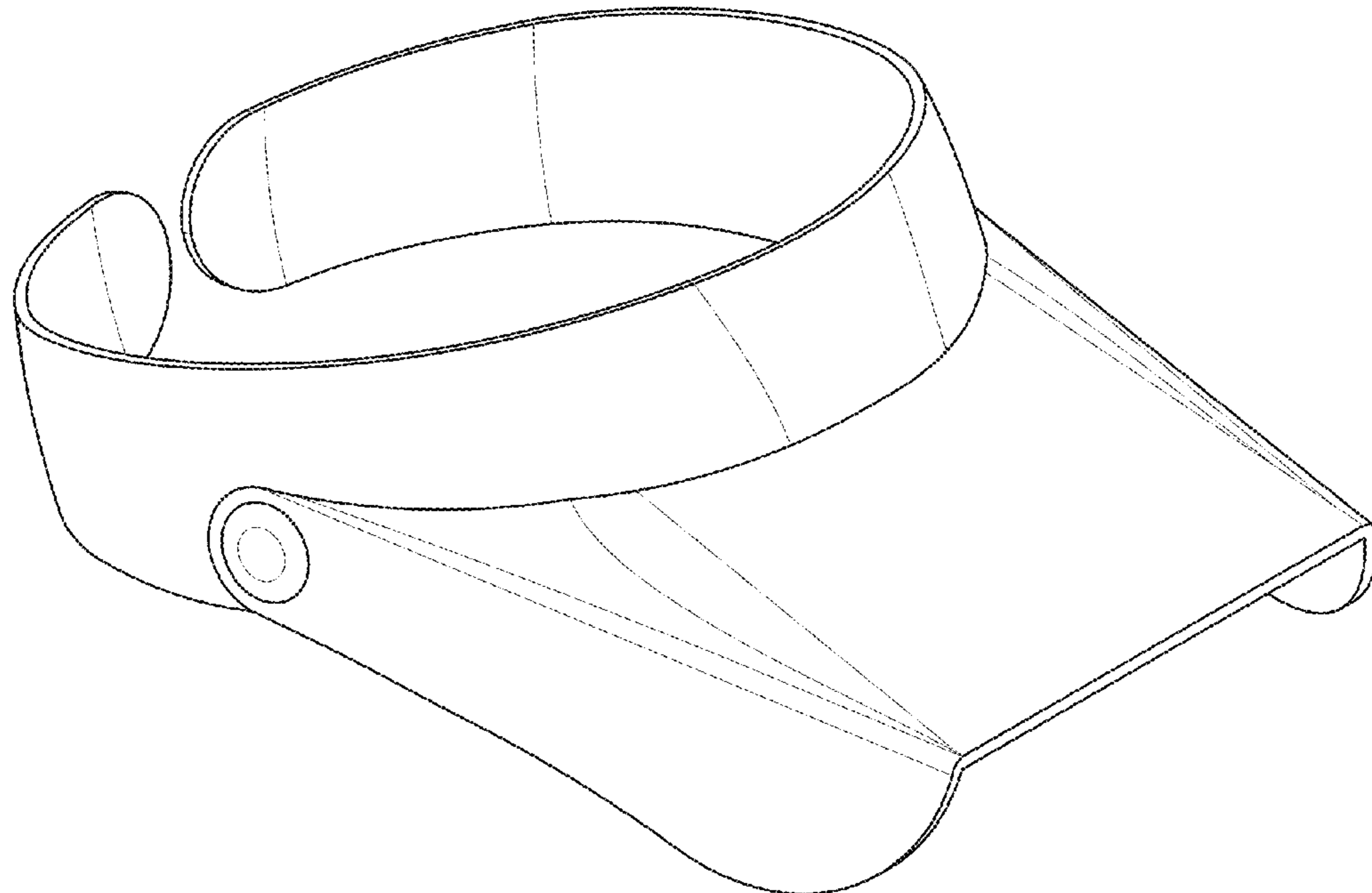
* cited by examiner
Primary Examiner — Jasmine Mlinarcik
(74) *Attorney, Agent, or Firm* — Dennen IP Law, LLC

(56) **References Cited**
U.S. PATENT DOCUMENTS
D136,539 S * 10/1943 Jones D29/109
D306,222 S * 2/1990 Lee D2/876
5,121,506 A * 6/1992 Ulrich A61F 9/045
2/171.5
5,125,113 A * 6/1992 Yun A42B 1/205
2/10
5,177,811 A * 1/1993 Ulrich A42B 1/062
2/209.3
D415,605 S * 10/1999 Ae D2/865
D423,194 S * 4/2000 Shwartz D2/876

(57) **CLAIM**
The ornamental design of a visor with moveable brim, as shown and described.

DESCRIPTION
FIG. 1 is a right, side, perspective view of a visor with movable brim in a position of use, with the brim in a downward position;
FIG. 2 is a right, top, side perspective view thereof;
FIG. 3 is a front view thereof;
FIG. 4 is a left, side view thereof;
FIG. 5 is a back view thereof;
FIG. 6 is a right, side view thereof;
FIG. 7 is a top view thereof;
FIG. 8 is a bottom view thereof; and,
FIG. 9 is a perspective view of the visor with movable brim in a position of use, with the visor in an upward position. The broken-line outline of the partial human figure assists in illustrating how the claimed design may appear when worn, but forms no part of the claimed design.

1 Claim, 9 Drawing Sheets



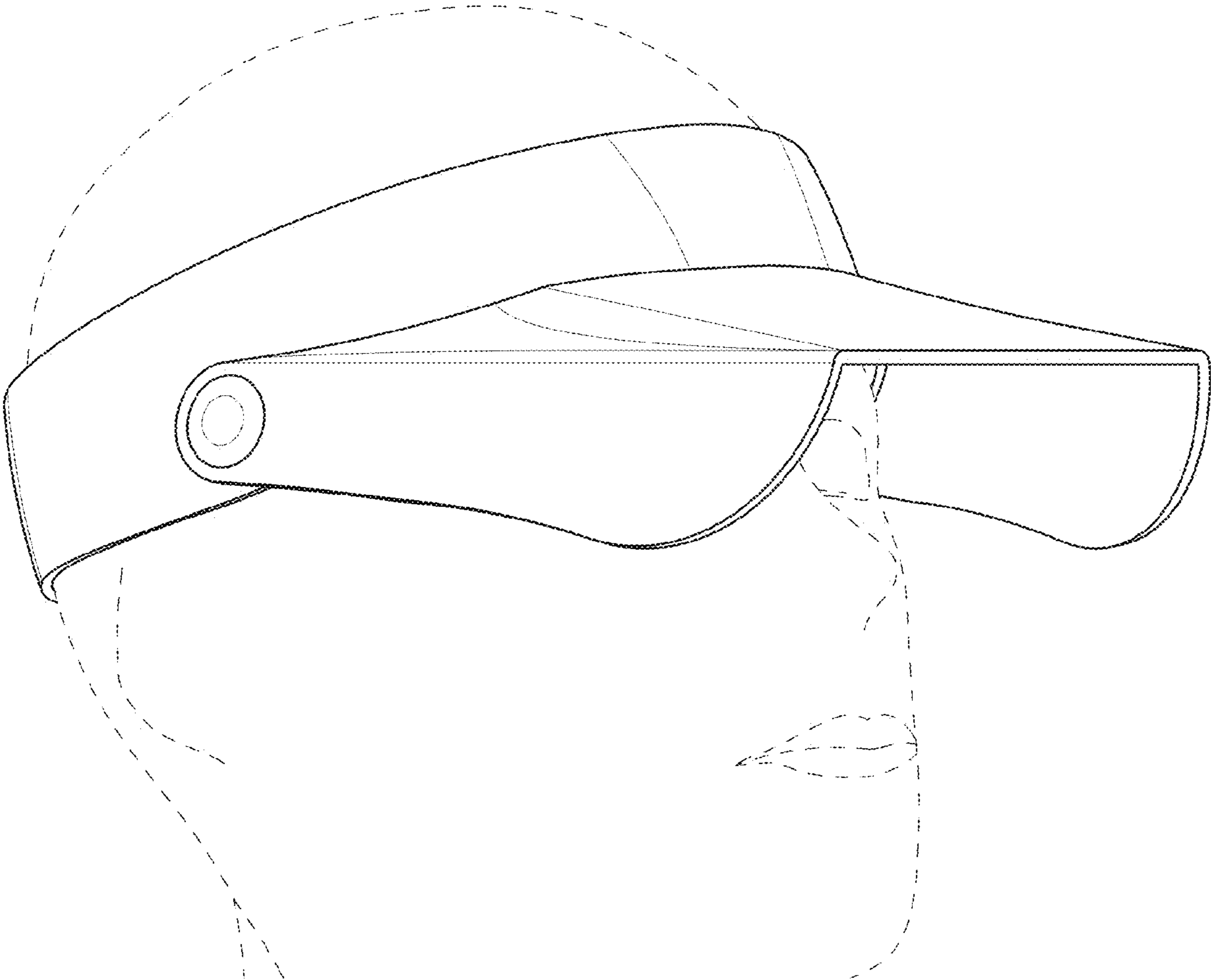


FIG. 1

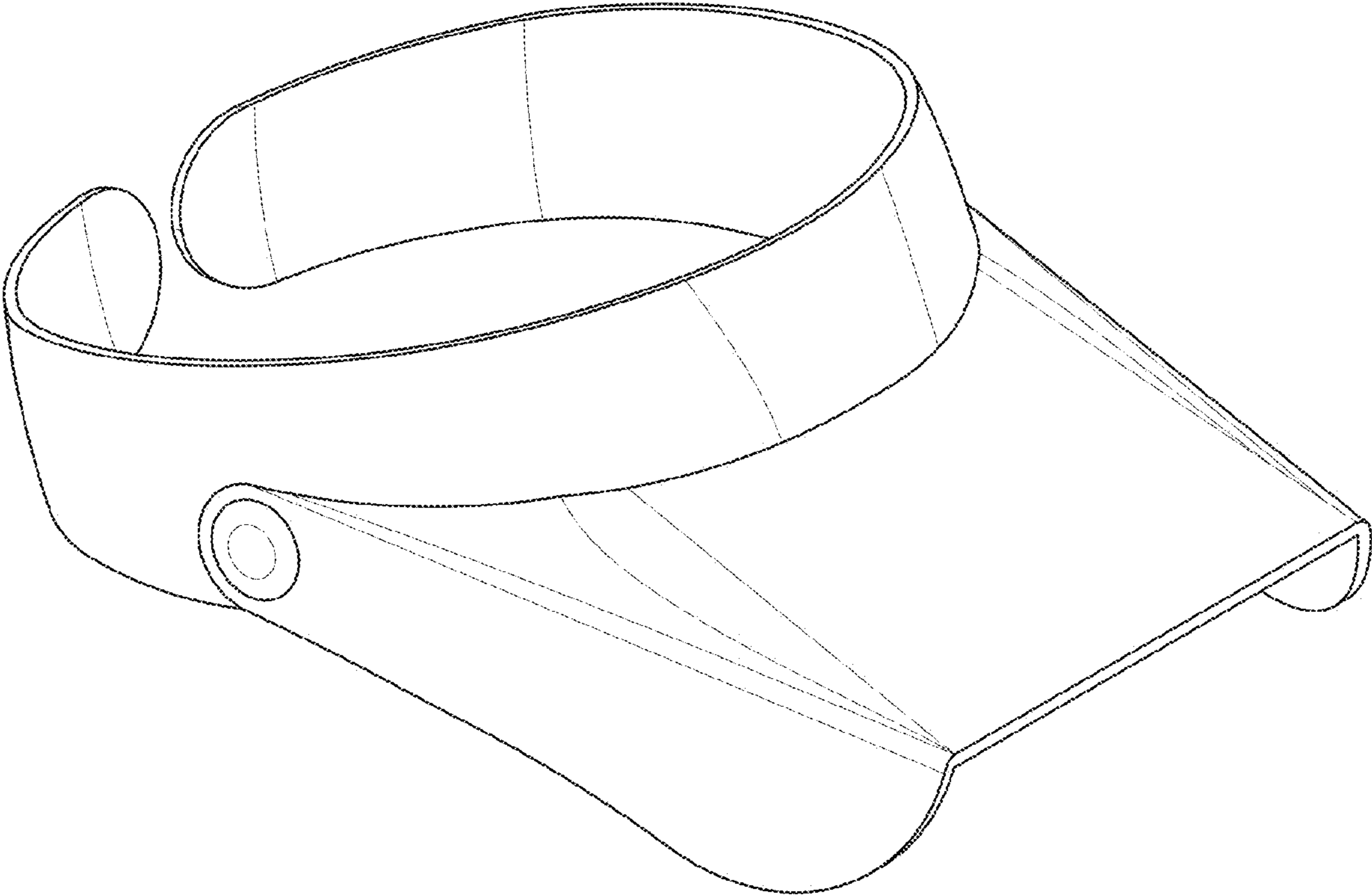


FIG. 2

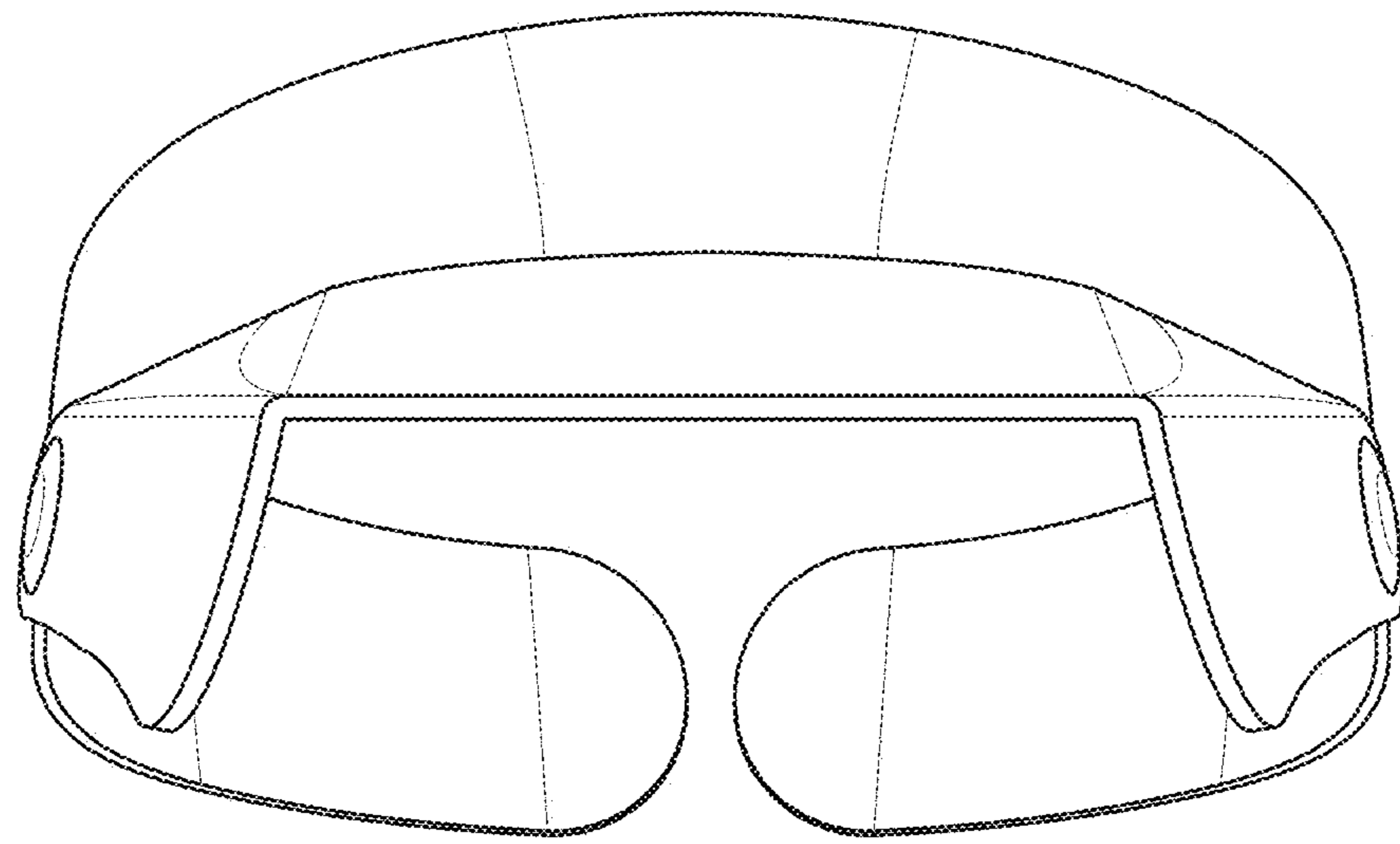


FIG. 3

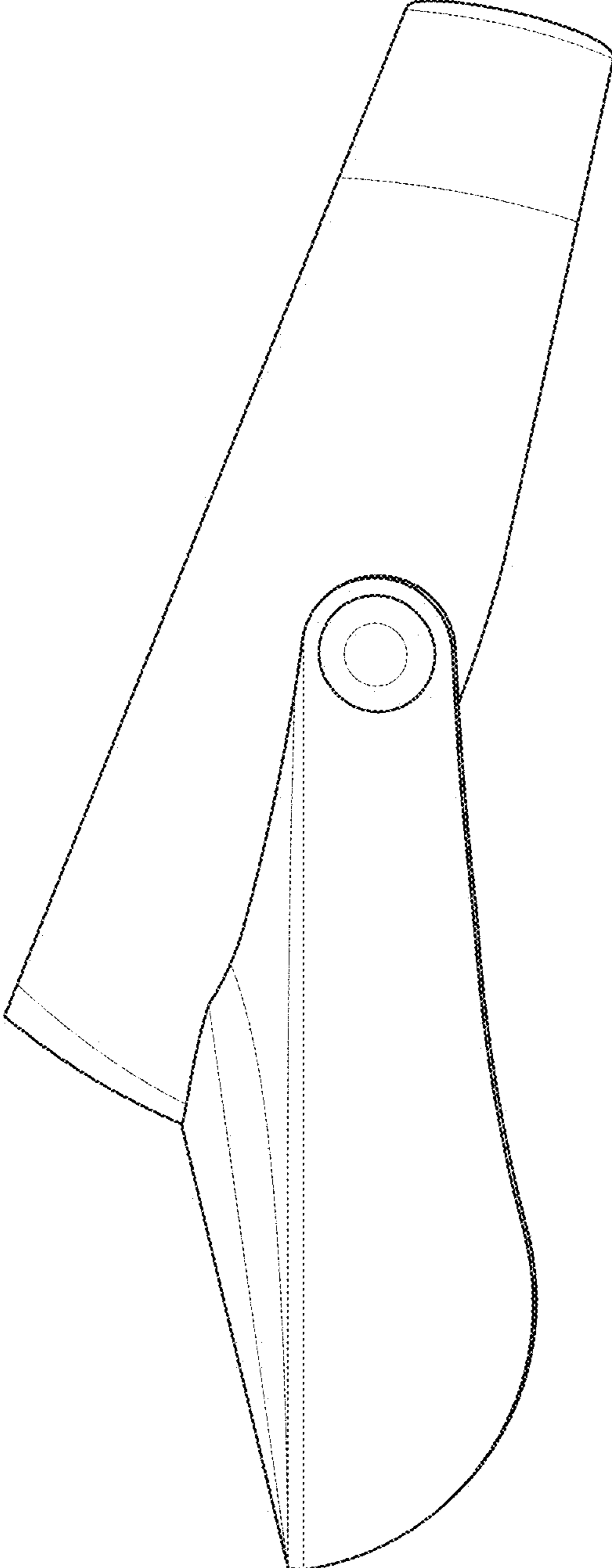


FIG. 4

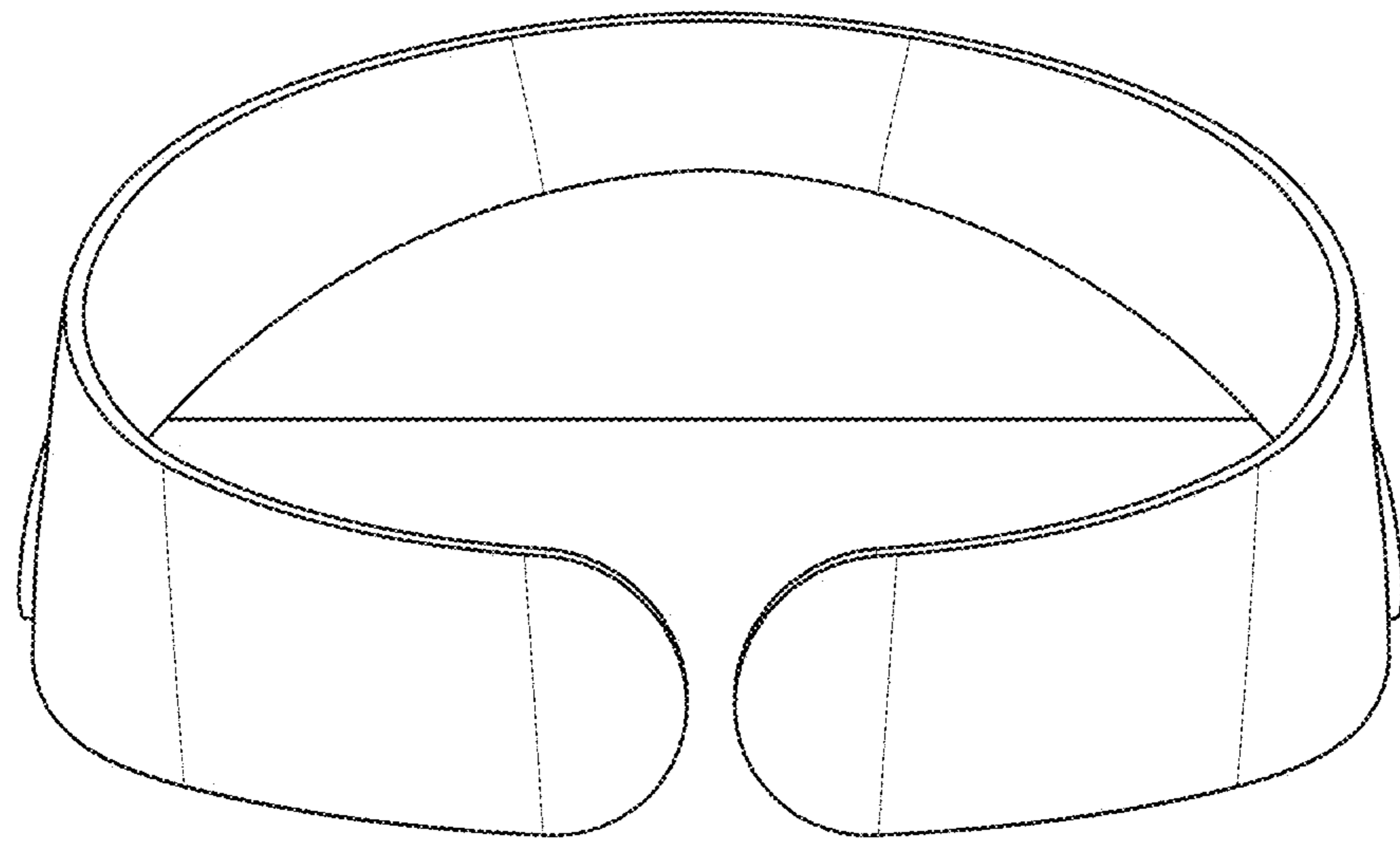


FIG. 5

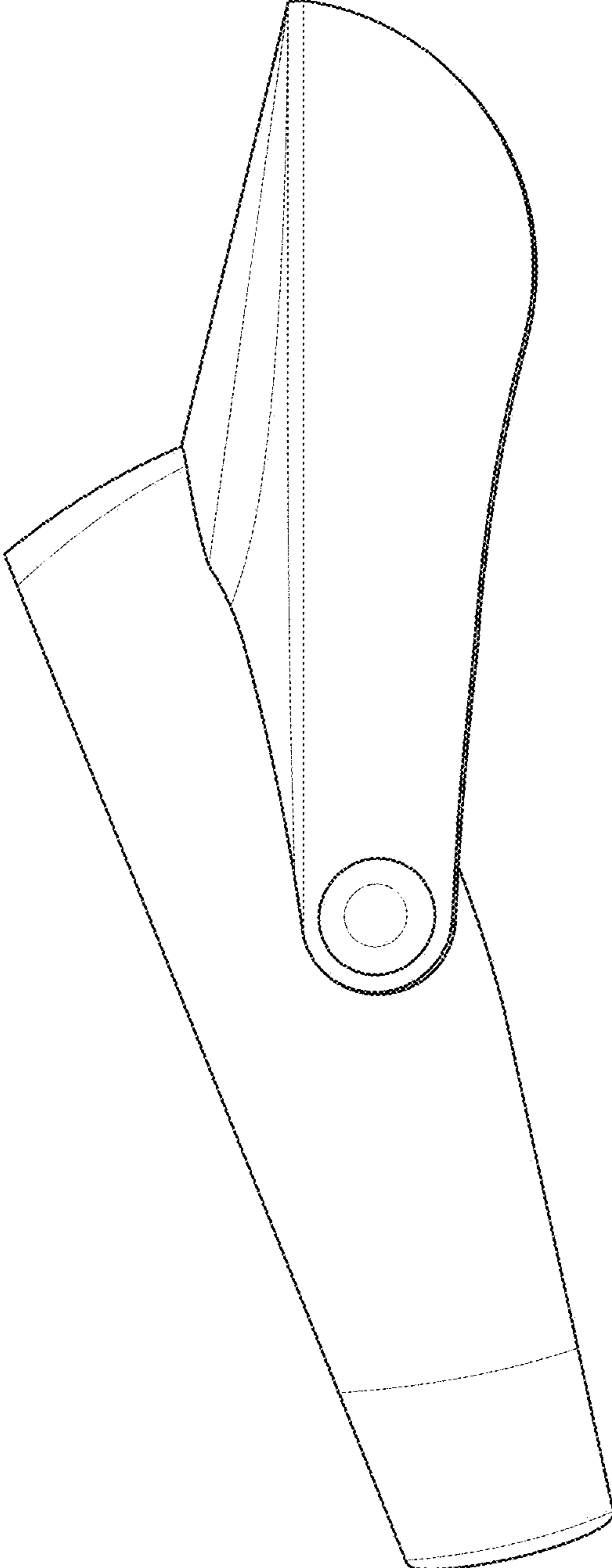


FIG. 6

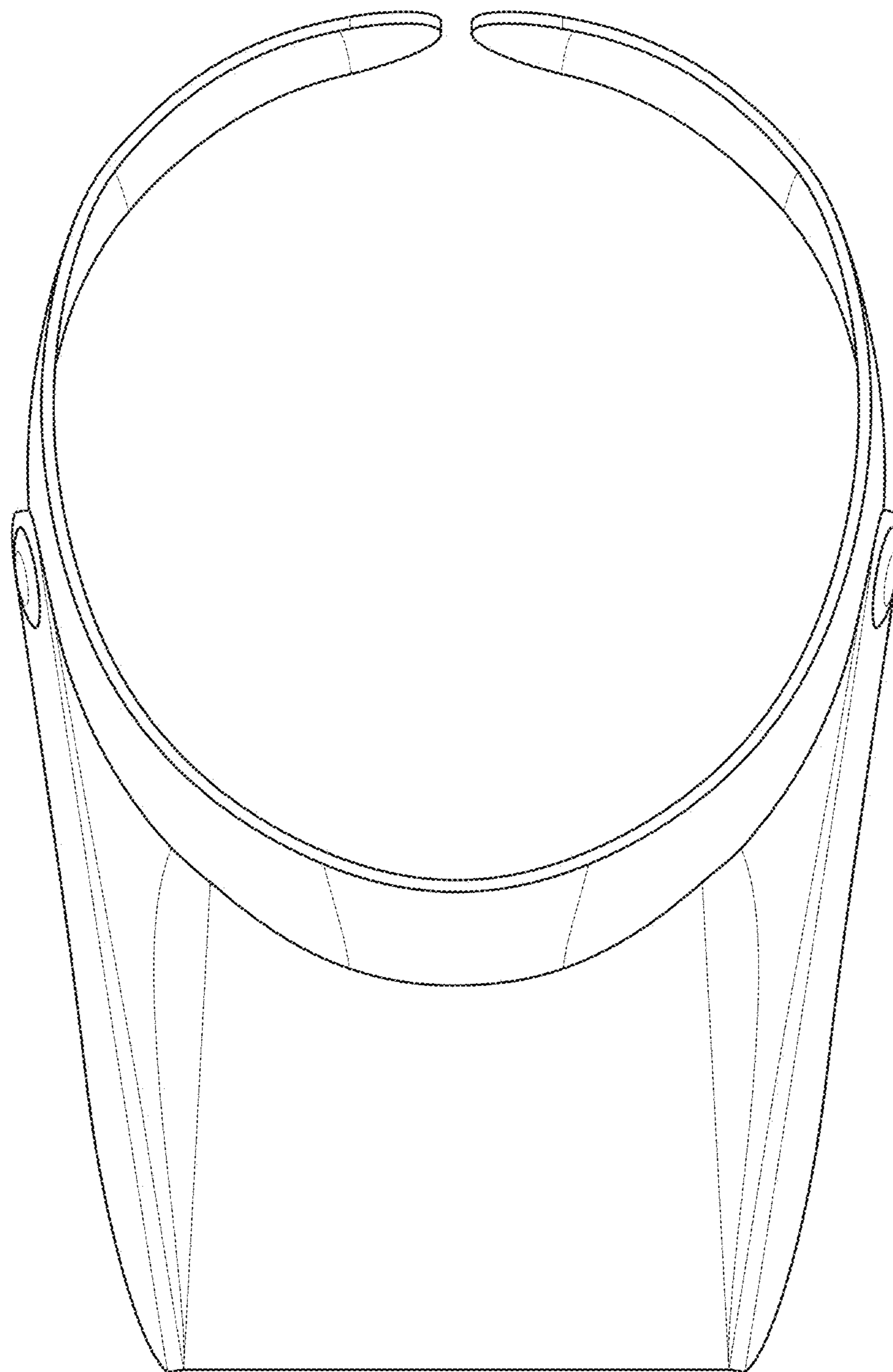


FIG. 7

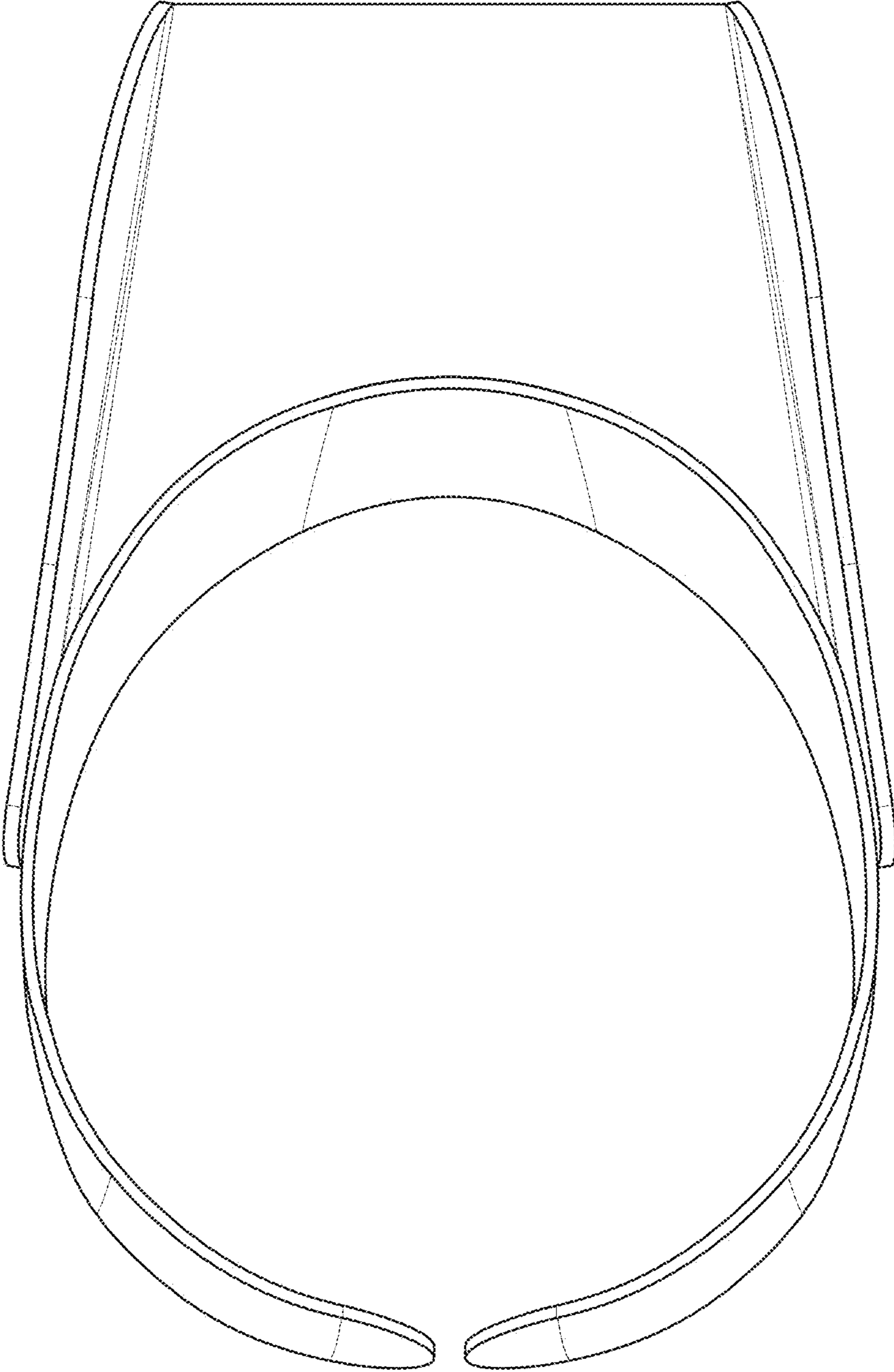


FIG. 8

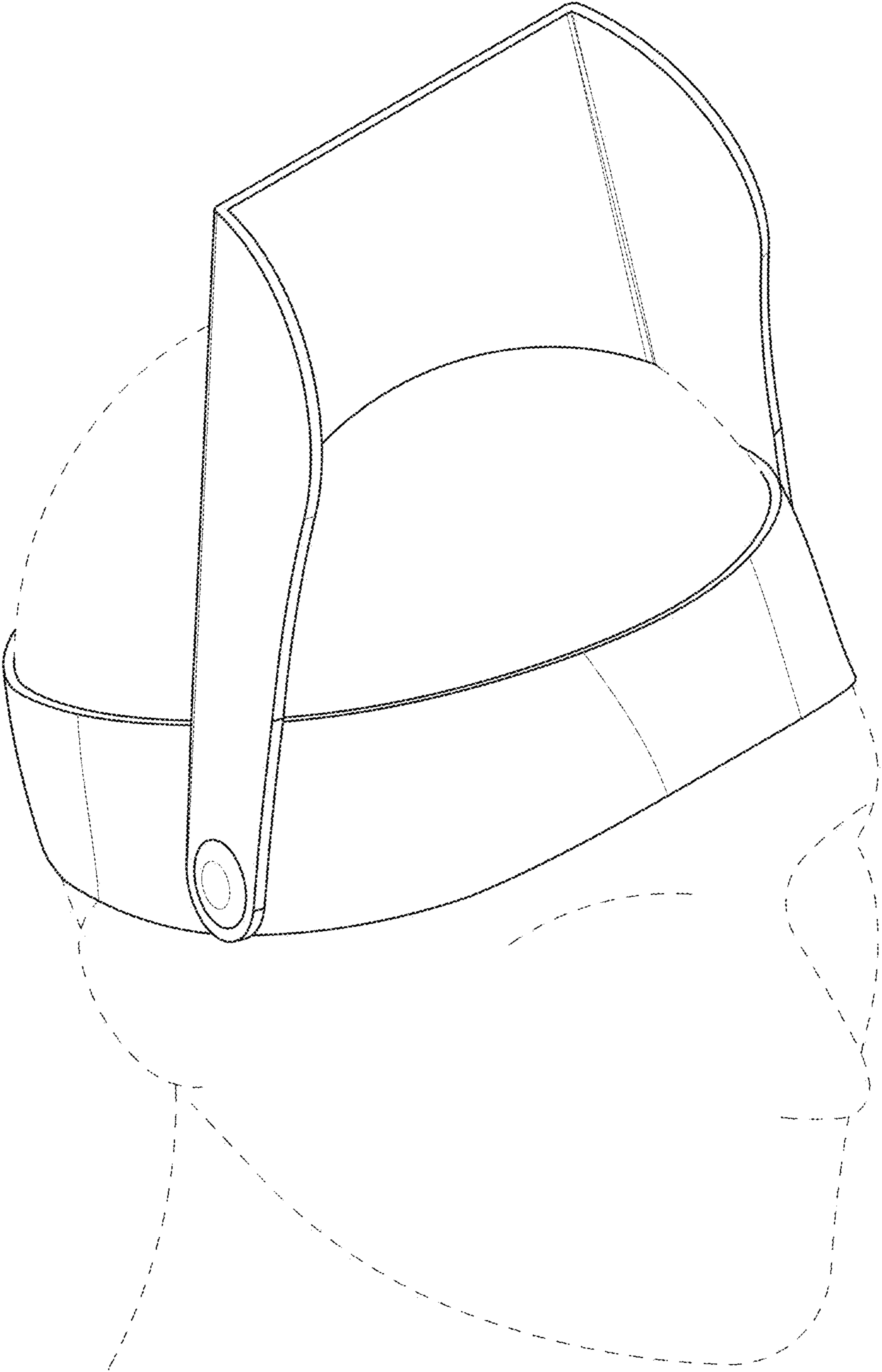


FIG. 9