



US00D898329S

(12) **United States Design Patent**
Bogdan et al.

(10) **Patent No.:** **US D898,329 S**

(45) **Date of Patent:** **** Oct. 13, 2020**

(54) **GARMENT WITH BACK OPENING**

(71) Applicant: **TARGET BRANDS, INC.**,
Minneapolis, MN (US)

(72) Inventors: **Marilyn Anderson Bogdan**,
Minneapolis, MN (US); **Katherine Nelson**,
Minneapolis, MN (US)

(73) Assignee: **TARGET BRANDS, INC.**,
Minneapolis, MN (US)

(**) Term: **15 Years**

(21) Appl. No.: **29/637,029**

(22) Filed: **Feb. 13, 2018**

(51) **LOC (12) Cl.** **02-02**

(52) **U.S. Cl.**
USPC **D2/850**

(58) **Field of Classification Search**
USPC D2/850, 840, 717, 720, 846
CPC A41D 13/1236; A41D 13/1245
See application file for complete search history.

(56) **References Cited**

U.S. PATENT DOCUMENTS

1,168,698	A *	1/1916	Andrews	A41D 1/02	2/93
1,626,024	A	4/1927	Crane			
D130,692	S	12/1941	Lardner			
2,374,643	A *	5/1945	Boettcher	A41D 13/1236	2/114
2,497,764	A *	2/1950	Doughty	A41D 13/1236	2/114
2,686,914	A *	8/1954	Weiser	A41D 13/1236	2/114
3,369,256	A *	2/1968	Kern	A41D 13/1236	2/114
4,644,590	A *	2/1987	Pincham	A41D 13/1245	2/115
4,674,132	A *	6/1987	Stein	A41D 13/1209	2/114

4,864,657	A *	9/1989	Lake	A41D 13/1236	2/114
4,920,578	A *	5/1990	Janzen	A41D 13/1236	2/114
5,084,914	A *	2/1992	Hesch	A41D 13/129	2/227

(Continued)

OTHER PUBLICATIONS

Back Snap T-Shirt Short Sleeve posted to Adaptive Clothing Showroom. Available date: Jun. 30, 2016 [site visited May 29, 2020] Available: <<https://adaptiveclothingshowroom.com/back-snap-t-shirt-short-sleeve/>> (Year: 2016).*

(Continued)

Primary Examiner — Kevin K Rudzinski

(74) *Attorney, Agent, or Firm* — JoAnn M. Seaton;
Griffiths & Seaton PLLC

(57) **CLAIM**

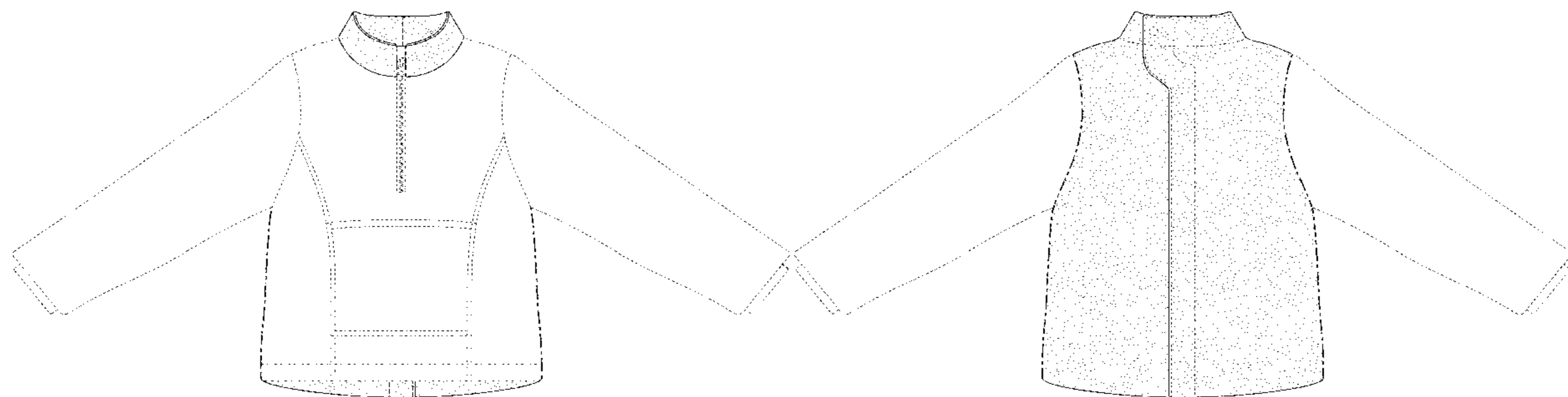
The ornamental design for a garment with back opening, as shown and described.

DESCRIPTION

FIG. 1 is a front, perspective view of a garment with back opening showing our new design; FIG. 2 is a front view thereof; FIG. 3 is a rear view thereof; FIG. 4 is a right side view thereof; FIG. 5 is a left side view thereof; FIG. 6 is a top view thereof; and, FIG. 7 is a bottom view thereof.

In the drawings, the broken lines depict unclaimed subject matter only and form no part of the claimed design. The long dash-short dash bolded broken lines indicate the bounds of the claimed design and otherwise form no part of the claimed design.

1 Claim, 4 Drawing Sheets



(56)

References Cited

U.S. PATENT DOCUMENTS

D356,204 S	3/1995	Derrickson	
5,410,758 A *	5/1995	Dupont	A41D 13/1209 2/247
5,572,742 A *	11/1996	McFadden	A41D 13/1236 2/114
5,799,330 A *	9/1998	O'Donoghue-Kitt	A41D 13/129 2/114
5,911,312 A *	6/1999	Holyfield	A41D 13/1263 2/69
D431,344 S *	10/2000	Briceno	D2/720
D435,329 S *	12/2000	Stewart	D2/840
6,216,270 B1 *	4/2001	Moquin	A41D 13/1245 2/114
D563,628 S	3/2008	Corbin et al.	
D624,280 S *	9/2010	Halseth	D2/720
D635,334 S *	4/2011	Eckman	D2/847
D635,335 S *	4/2011	Eckman	D2/849
D635,739 S *	4/2011	Toms	D2/720
8,566,964 B1	10/2013	Acosta	
D734,924 S	7/2015	Emery	
9,089,174 B1 *	7/2015	Michaelis	A41D 13/0015
D760,474 S *	7/2016	Alonzo	D2/720
D831,934 S *	10/2018	Lee	D2/739
D834,787 S *	12/2018	Picot	D2/840
D868,424 S *	12/2019	Gelati	D2/720
2004/0010837 A1 *	1/2004	Graves	A41D 13/1254 2/114
2005/0193460 A1 *	9/2005	Moore	A41D 15/00 2/53

OTHER PUBLICATIONS

Adaptive Clothing: Home Care Dressing Made Easier by Jane Zhdanova, posted to Ezra Home Care. Available date: Apr. 24, 2014 [site visited May 29, 2020] available: <<https://www.ezrahomecare.com/home-care-blog/adaptive-clothing-home-care-dressing-made-easier>> (Year: 2014).*

“Grey Zip Back Jumpsuit Style Bodysuit Wonsie”, printed from <https://wonsie.com.au/collections/back-zip-wonsie/products/zip-back-bodysuit-wonsie>, publicly available at least as early as Feb. 17, 2017, per <http://web.archive.org> (9 pages).

“Wheelchair Users Now Have a Clothing Line That Fits Their Needs”, printed from www.fastcompany.com/3057044/wheelchair-users-now-have-a-...&utm_medium=social&utm_source=facebook.com&utm_campaign=buffer, printed on Feb. 25, 2016 (3 pages).

“R215 Adults Back Fastening Hunter Jackets”, printed from www.disabled-clothing.co.uk/disabled-adults-clothing/r215-adults-back-fastening-hunter-jackets.html#.WSh5WTOZM48, publicly available at least as early as Jan. 17, 2017, per <http://web.archive.org> (2 pages).

“Dignity Pajamas Mens Cotton Short Sleeve Adaptive Open Back Hospice Patient Gown Sleepwear”, printed from www.dignitypajamas.com/Mens-Short-sleeve-hospice-sleepwear-pajama-p/ss-102.htm, publicly available at least as early as Jun. 21, 2017 (2 pages).

“Kinlock Jacket (Backopening and Rain Resistant)”, printed from www.capr-style.com/product/kinlock-jacket-backopening-and-rain-resistant-3/, publicly available at least as early as Jan. 14, 2016, per <http://web.archive.org> (3 pages).

“Chemo Cozy Boys’ Fleece Jacket”, printed from www.chemocozy.com/collections/chemo-cozy-kids/products/boys-fleece-jacket-yellow, publicly available at least as early as Oct. 10, 2014, per <http://web.archive.org> (2 pages).

“Adaptive Clothing for Men—Open Back Snap Shirt”, printed from www.pinterest.com/pin/321937073336055000/, publicly available at least as early as Jun. 29, 2017 (5 pages).

“Adapting Creatively: Split-back Wheelchair Jacket”, printed from <http://adaptingcreatively.blogspot.com/2010/11/split-back-wheelchair-jacket.html>, publicly available at least as early as Dec. 30, 2010 (12 pages).

“Ayr Jacket (Lengthened Front)”, printed from www.capr-style.com/product/ayr-jacket-lengthened-front-2/, publicly available at least as early as May 9, 2016, per <http://web.archive.org> (3 pages).

“Adaptive Winter Wheelchair Coat”, printed from www.etsy.com/il-en/listing/477279301/adaptive-winter-wheelchair-coat, publicly available at least as early as Sep. 7, 2016 (3 pages).

“Adaptive Ladies Cardigan”, printed from www.gerifashions.com/adaptive-ladies-cardigan-lat003/, publicly available at least as early as May 14, 2017, per <http://web.archive.org> (2 pages).

“Adaptive Cardigans from Debra Lynn”, printed from www.debralynncreations.ca/adaptive-cardigans.html, publicly available at least as early as Sep. 13, 2014 (4 pages).

* cited by examiner

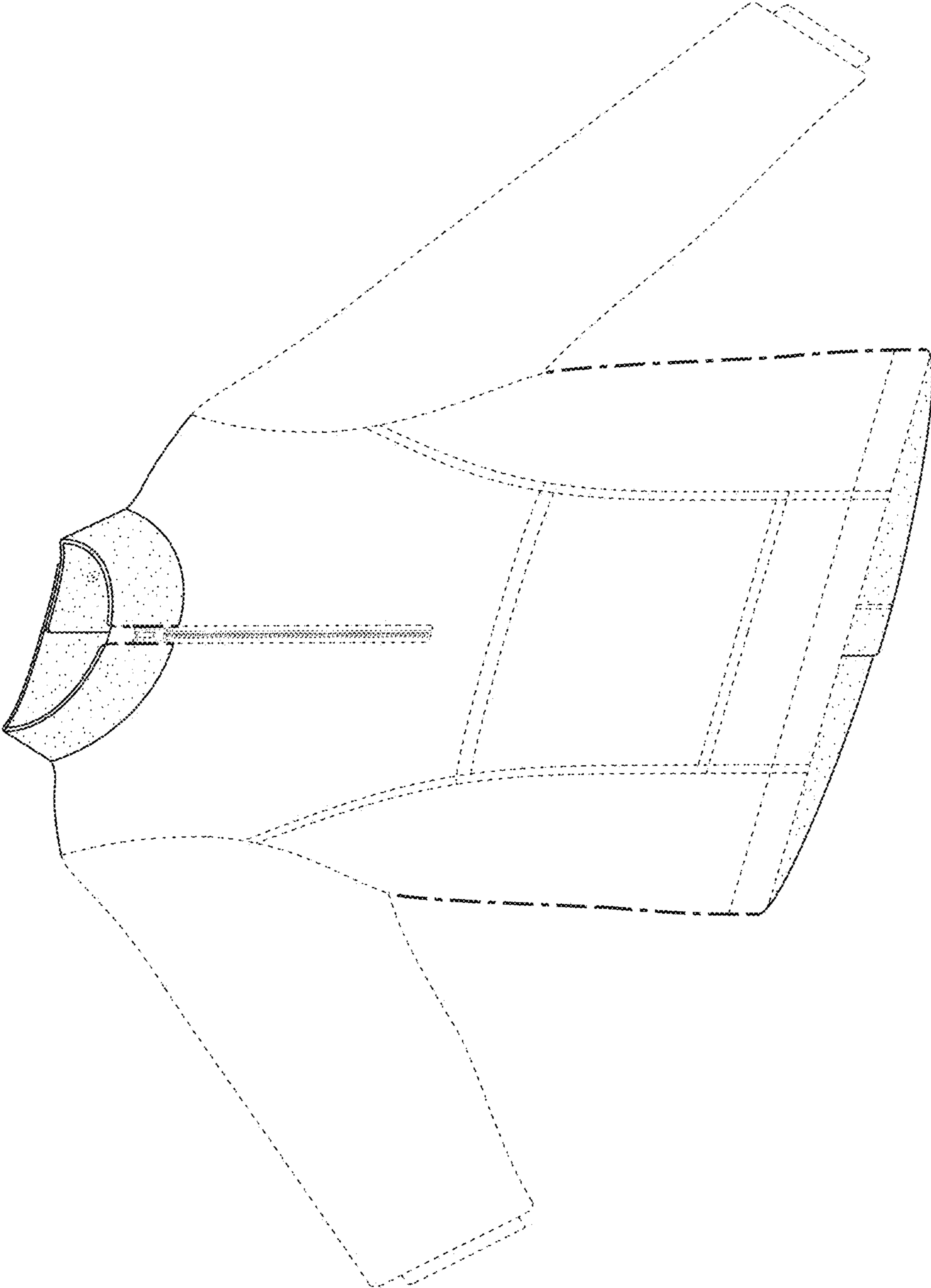


FIG. 1

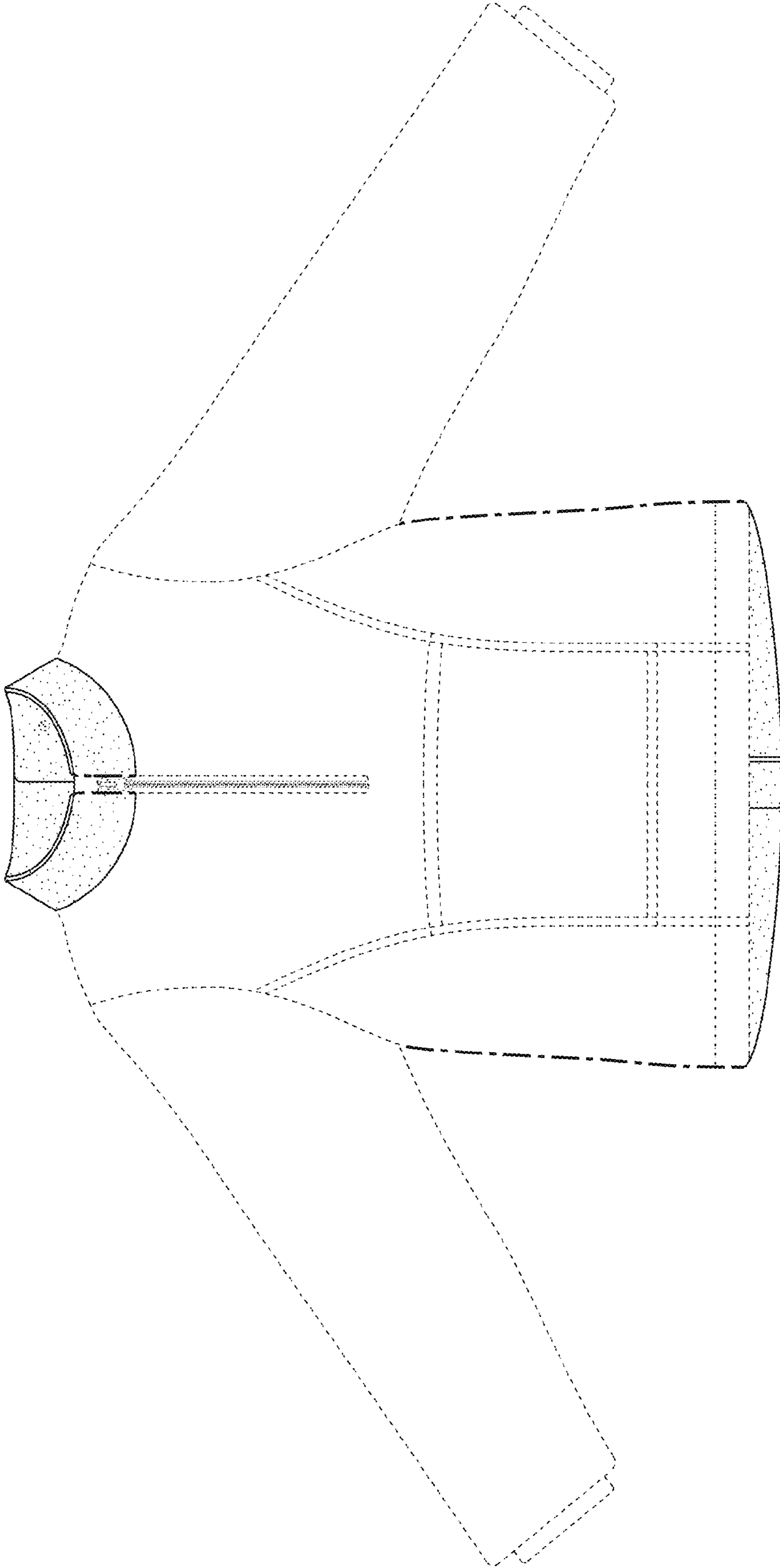


FIG. 2

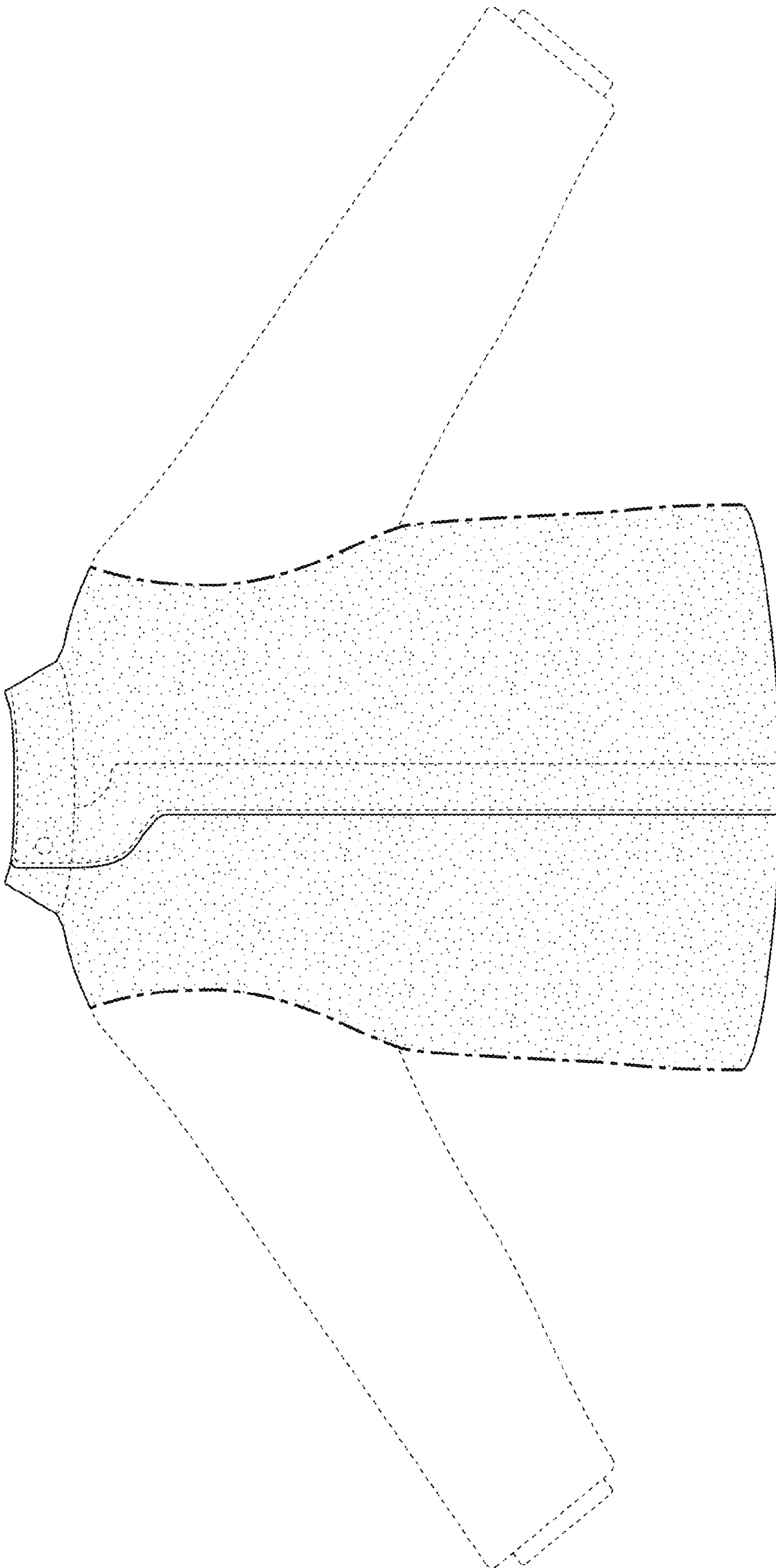


FIG. 3

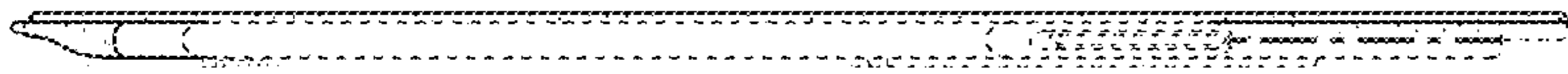


FIG. 4

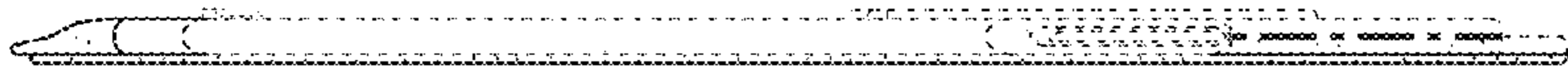


FIG. 5



FIG. 6



FIG. 7