



US00D898324S

(12) **United States Design Patent** (10) **Patent No.:** **US D898,324 S**
Patrick et al. (45) **Date of Patent:** **** Oct. 6, 2020**

(54) **PALLET TRUCK WHEELS** 2,681,202 A * 6/1954 Germond B62B 3/0618
254/2 B
(71) Applicant: **Shark Wheel, Inc.**, Lake Forest, CA 2,683,495 A 7/1954 Kopczynski
(US) 2,727,752 A * 12/1955 Gold B62B 3/06
280/43.12

(72) Inventors: **David Michael Patrick**, Ladera Ranch,
CA (US); **Robert S. Patrick**, Plano, TX
(US)

(Continued)

FOREIGN PATENT DOCUMENTS

(73) Assignee: **Shark Wheel, Inc.**, Lake Forest, CA
(US)

GB 263965 A 1/1927
WO WO2016048880 A1 3/2016

OTHER PUBLICATIONS

(**) Term: **15 Years**

Shark Wheels, 54 MM, 78A black with black hug jaws, www.
sharkwheel.com, searched Apr. 15, 2020;https://sharkwheel.com/
54mm-78a-black-with-black-hub-jaws/ (Year: 2020).*

(21) Appl. No.: **29/661,764**

(Continued)

(22) Filed: **Aug. 30, 2018**

(51) **LOC (12) Cl.** **12-05**

(52) **U.S. Cl.**
USPC **D34/35**; D21/779

(58) **Field of Classification Search**
USPC D34/34, 35; D8/375; D21/779
CPC B62B 3/0618; B62B 3/0625; B62B 3/001;
B62B 3/008; B62B 3/0606; B66F 9/24;
B60B 19/00; A63C 17/00; A63C 17/01;
A63C 17/04; A63C 17/06; A63C 17/22;
A63C 17/223

Primary Examiner — Cynthia Ramirez
(74) *Attorney, Agent, or Firm* — Cionca IP Law P.C.;
Marin Cionca

See application file for complete search history.

(57) **CLAIM**

We claim the ornamental design for pallet truck wheels, as
shown and described.

(56) **References Cited**

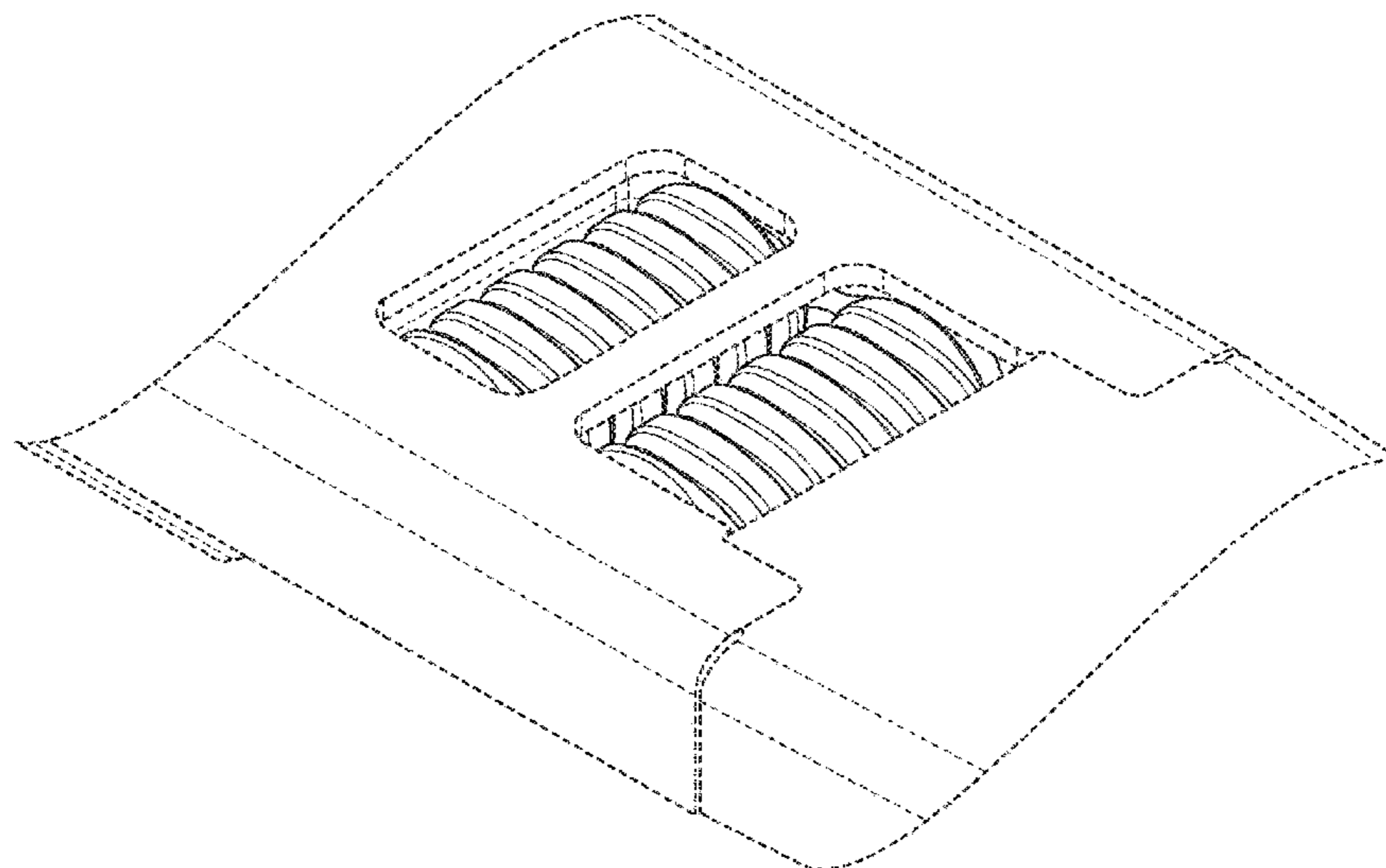
U.S. PATENT DOCUMENTS

694,303 A 2/1902 Beskow
740,035 A 9/1903 Nicholas
851,055 A 4/1907 Beskow
907,991 A 12/1908 Goodfellow
2,178,647 A * 11/1939 Raymond B62B 3/06
280/43.12
2,274,164 A * 2/1942 Quayle B62B 3/0625
254/2 C
2,498,504 A * 2/1950 Quayle B62B 3/0612
280/43.12
2,550,548 A * 4/1951 Framhein B62B 3/06
254/10 C

DESCRIPTION

FIG. 1 is a front perspective view of a pair of pallet truck
wheels, showing my new design;
FIG. 2 is a front view thereof;
FIG. 3 is a left side view thereof;
FIG. 4 is a right side view thereof;
FIG. 5 is a top view thereof; and
FIG. 6 is a bottom view thereof; and,
FIG. 7 is a cross sectional view taken from the line 7-7 in
FIG. 5.
The dash lines are included for illustrating environmental
structure and form no part of the claimed design.

1 Claim, 7 Drawing Sheets



(56)

References Cited

U.S. PATENT DOCUMENTS

2,783,905 A * 3/1957 Marcusson B62B 3/0625
414/434
2,818,989 A * 1/1958 Burke B62B 3/06
414/608
2,876,945 A * 3/1959 Blackburn B65D 3/10
229/125.21
2,964,887 A 12/1960 Orozco
2,993,703 A * 7/1961 Paradise B62B 3/0612
280/43.12
3,019,930 A * 2/1962 Allen B62B 3/0618
414/667
3,159,380 A * 12/1964 Du Broff B62B 3/0625
254/8 C
3,261,617 A * 7/1966 Becker B62B 3/0618
280/43.12
3,363,713 A 1/1968 Blonsky
3,717,380 A 2/1973 Eastwood, II
D299,733 S * 2/1989 Taminich D21/779
5,938,217 A * 8/1999 Wintz B62B 3/008
280/35
6,227,622 B1 5/2001 Roderick
D447,612 S * 9/2001 Niebuhr D34/34
7,226,060 B2 * 6/2007 Hartmann B62B 3/001
280/43.12
D613,152 S * 4/2010 Sullivan D8/375

8,752,846 B1 * 6/2014 White B66F 9/12
280/43.12
D764,738 S * 8/2016 Molnar D34/34
9,567,197 B2 * 2/2017 Mariotti B62B 3/0631
10,005,650 B2 * 6/2018 Mariotti B62B 3/0631
10,053,129 B1 * 8/2018 Turner, Jr. B62B 5/0083
10,118,439 B1 11/2018 Patrick
D879,854 S * 3/2020 Lu D15/199
2014/0132059 A1 5/2014 Patrick
2015/0102274 A1 * 4/2015 He B62B 3/0612
254/2 C
2015/0298501 A1 10/2015 Engel
2017/0341667 A1 * 11/2017 Kalinowski B62B 3/0606
2018/0162434 A1 * 6/2018 Kalinowski B62B 5/0485
2019/0300037 A1 * 10/2019 Loveless B62B 5/0006
2019/0322509 A1 * 10/2019 Jianming B66F 9/065
2019/0389705 A1 * 12/2019 Radtke B66F 9/07527
2020/0047548 A1 * 2/2020 Sugimoto B60B 19/12
2020/0070570 A1 * 3/2020 Patrick B60B 19/12

OTHER PUBLICATIONS

Kickstarter Campaign; "Shark Wheel—the Square Skateboarding Wheel that Shreds!"; Website: <https://www.kickstarter.com/projects/1537100752/shark-wheel-the-square-skateboarding-wheel-that-sh> ; Jun. 2, 2013.
Wikipedia; "Shark Wheel"; Website: https://en.wikipedia.org/wiki/Shark_Wheel; Sep. 5, 2018.

* cited by examiner

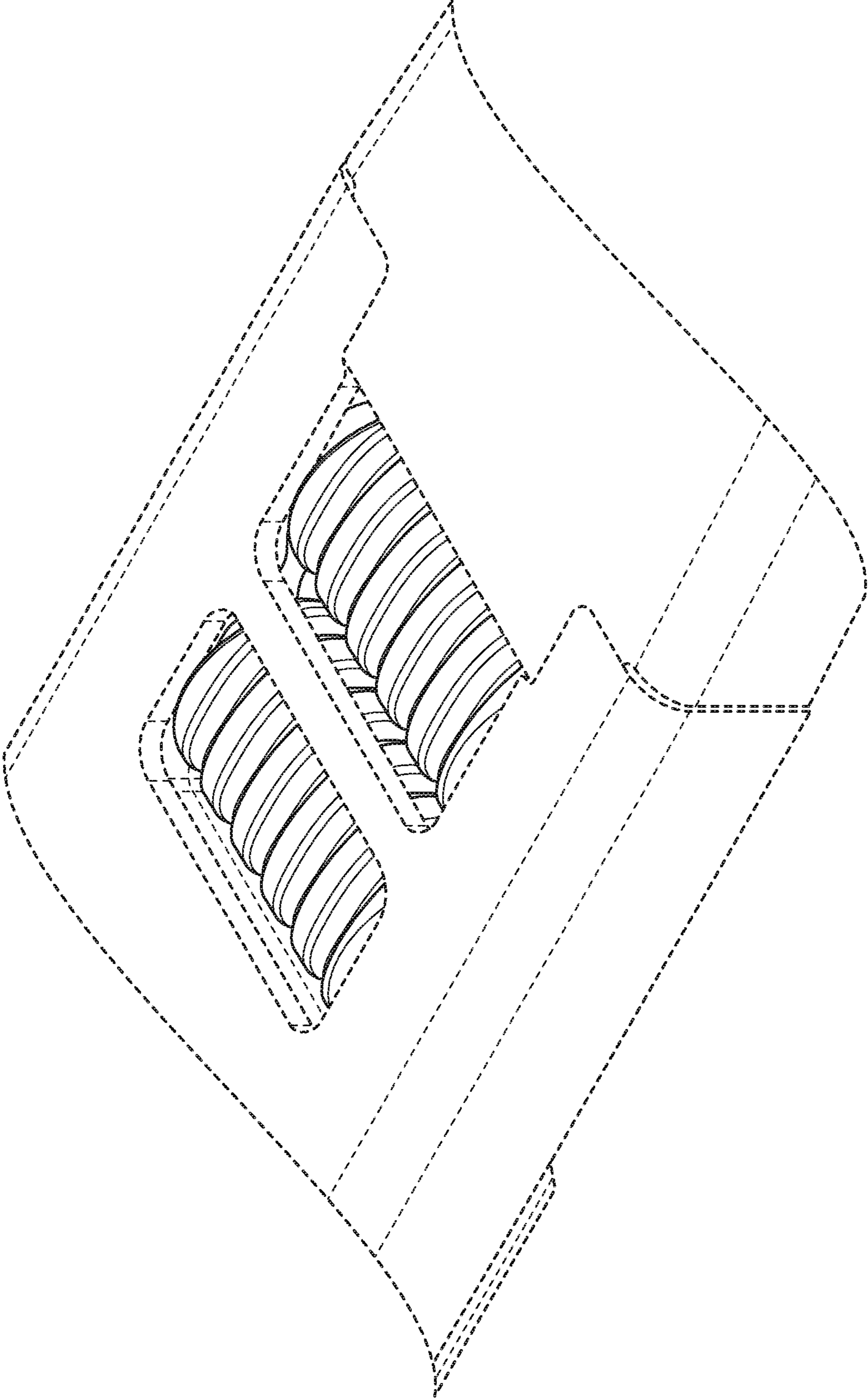


FIG. 1

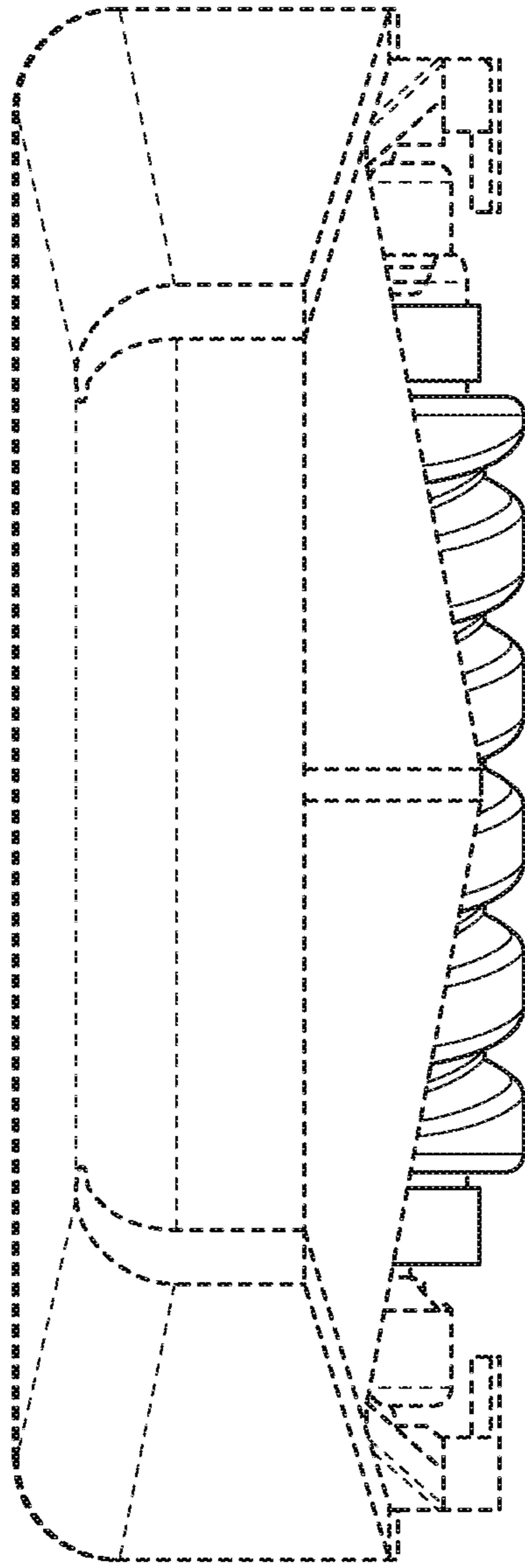


FIG. 2

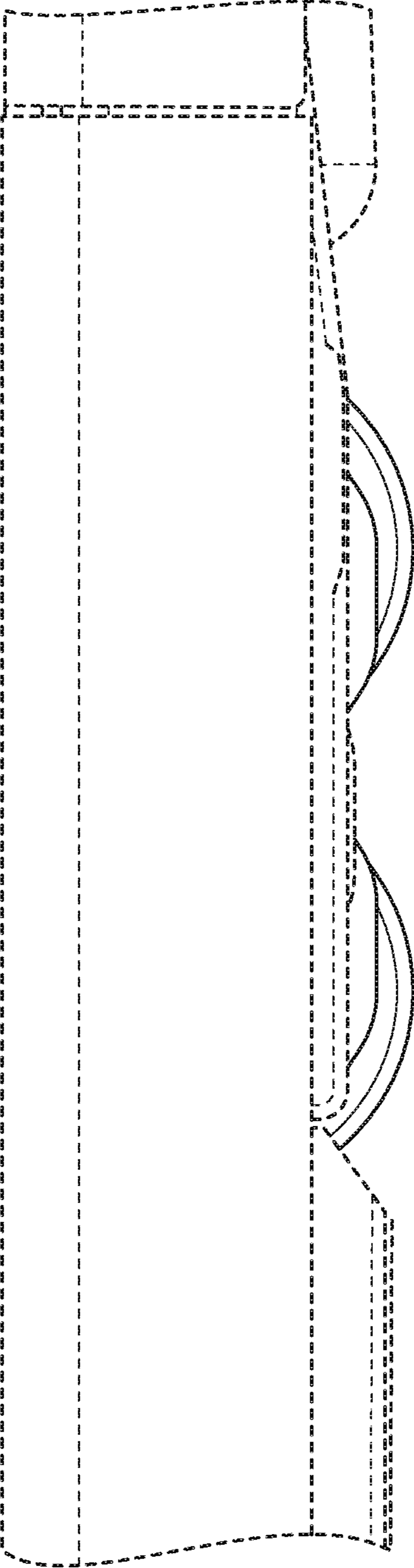


FIG. 3

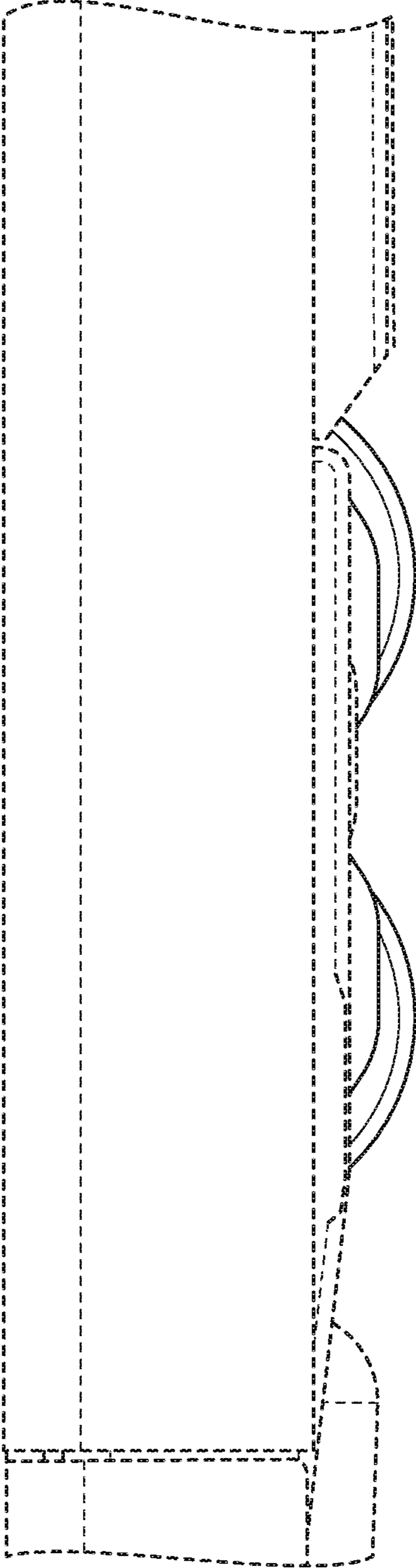


FIG. 4

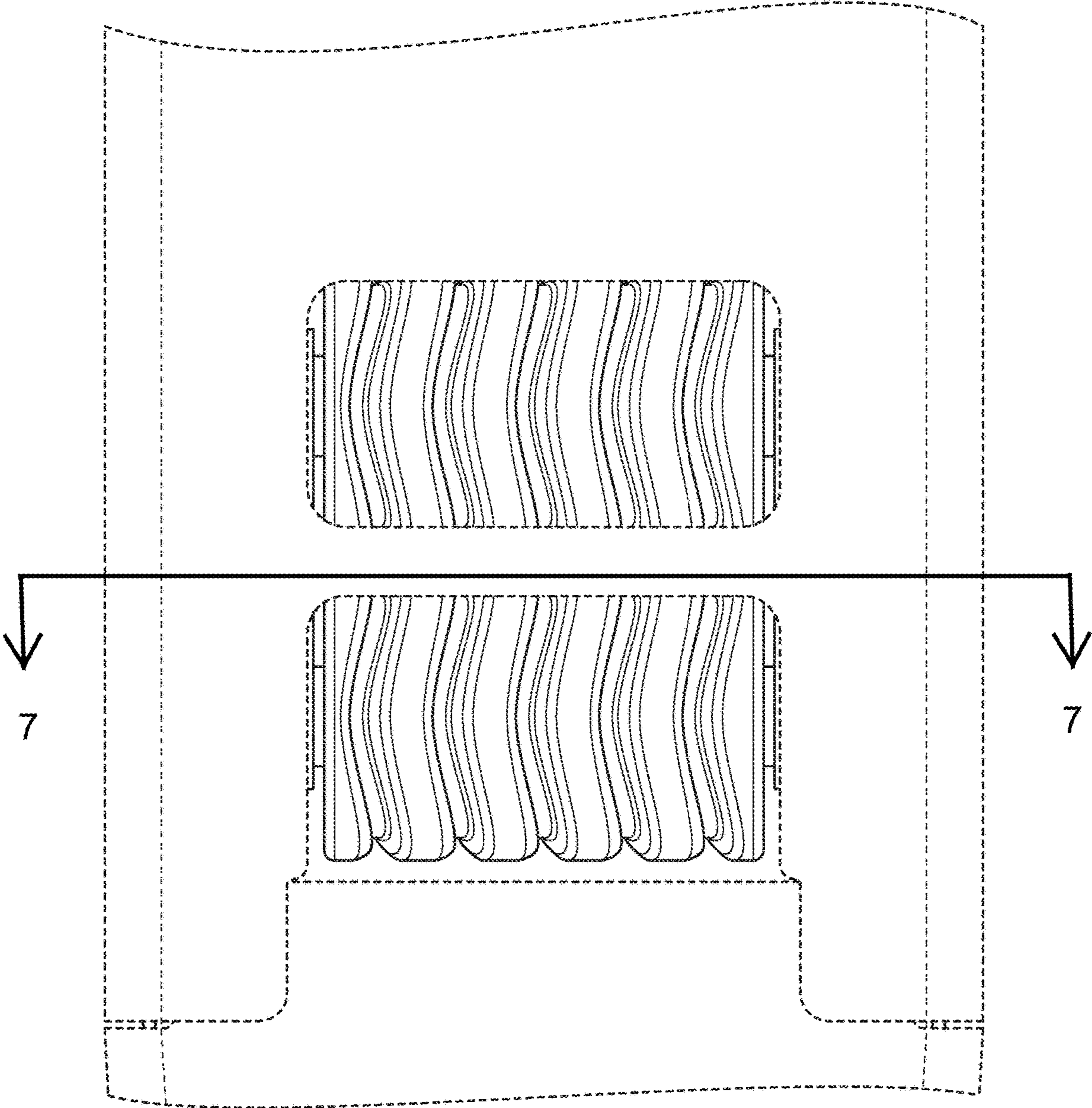


FIG. 5

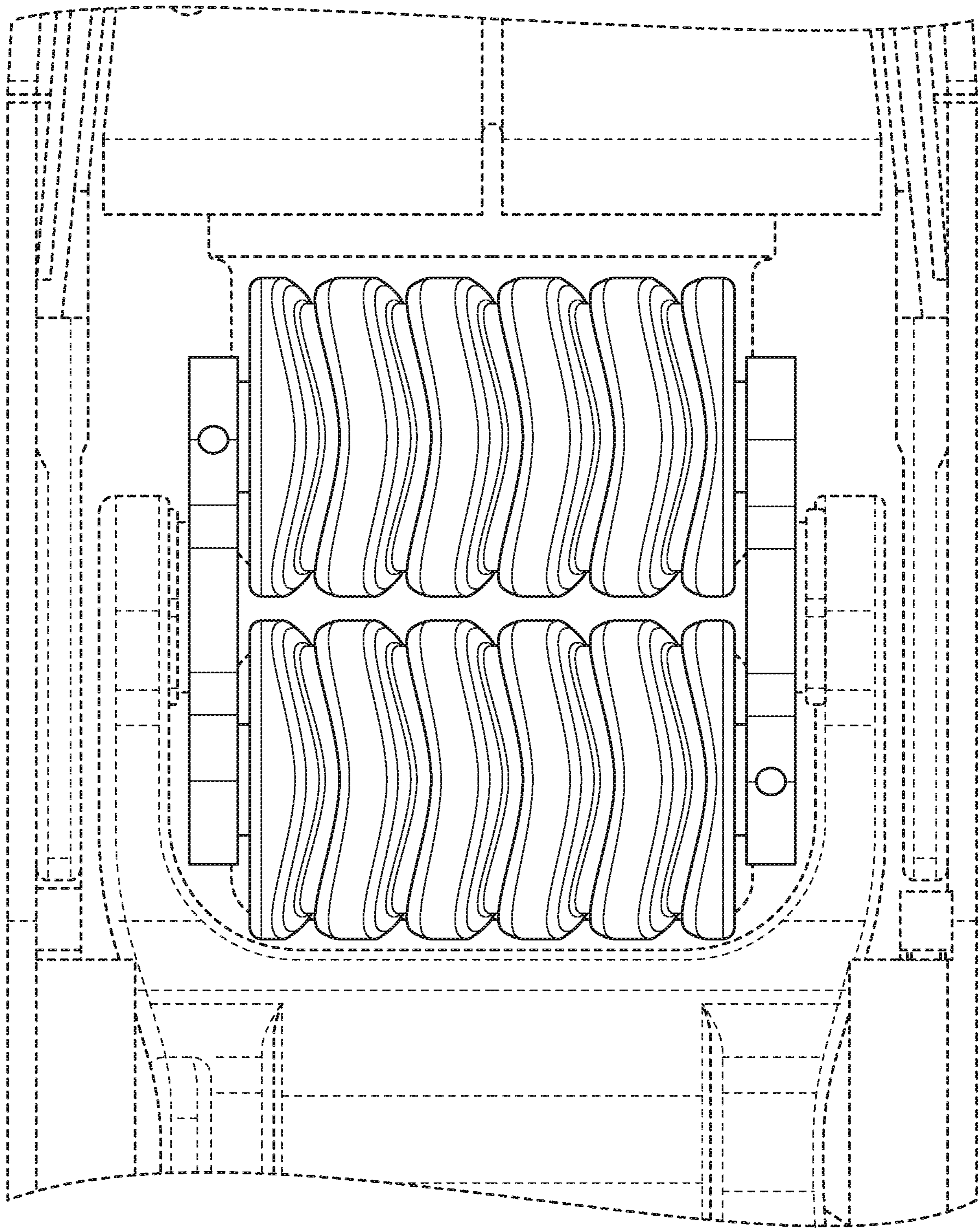


FIG. 6

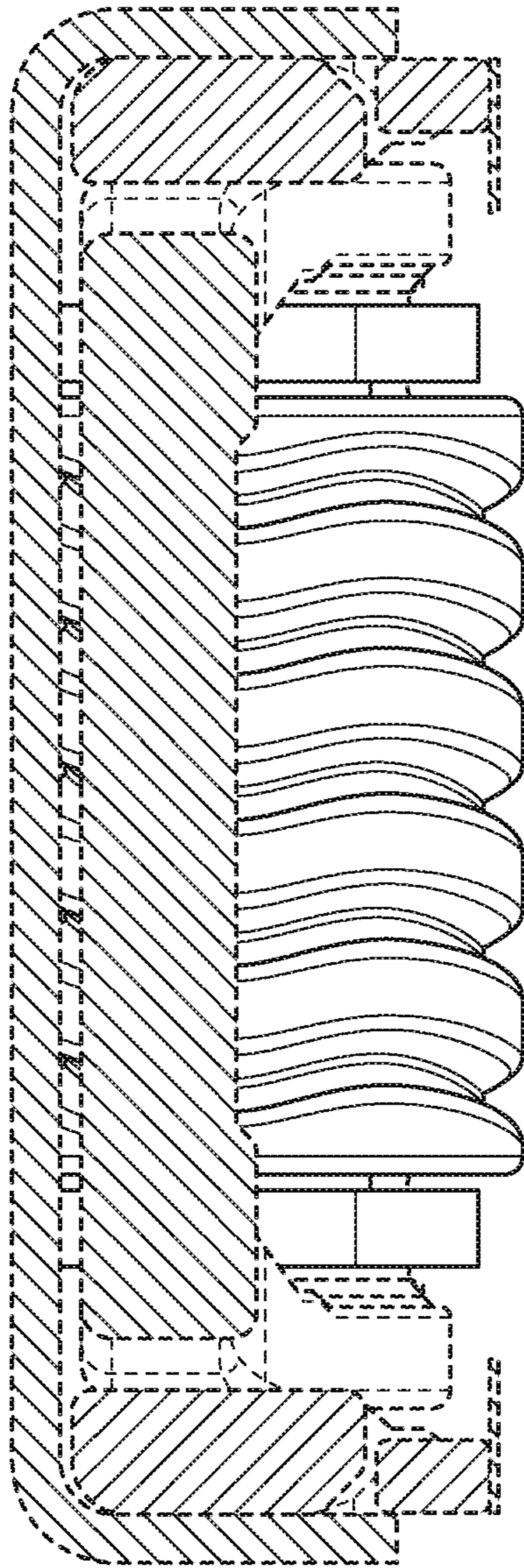


FIG. 7