



US00D898323S

(12) **United States Design Patent** (10) **Patent No.:** **US D898,323 S**
Vroegindeweij (45) **Date of Patent:** **** Oct. 6, 2020**

(54) **STAIR TRACK RAIL**

(71) Applicant: **DeVi-Group BV**, Obdam (NL)
(72) Inventor: **Dennis Vroegindeweij**, Hensbroek (NL)
(73) Assignee: **DeVi-Group BV**, Obdam (NL)
(**) Term: **15 Years**

(21) Appl. No.: **29/632,522**

(22) Filed: **Jan. 8, 2018**

(51) **LOC (12) Cl.** **12-05**

(52) **U.S. Cl.**
USPC **D34/35; D25/38.1**

(58) **Field of Classification Search**
USPC D34/28, 29, 30, 33, 34, 35; D8/354, 382;
D12/36, 42, 50; D25/38.1, 41.1, 42, 43,
D25/44, 119, 120, 121, 122, 123, 124,
D25/125, 126, 164
CPC B66B 9/08; A61G 5/12; A61G 7/10; A61G
7/1038; A61G 7/1042; A47C 7/54; B61B
12/005; B61B 12/028; B61B 12/06
See application file for complete search history.

(56) **References Cited**

U.S. PATENT DOCUMENTS

3,411,752 A * 11/1968 Bos E04F 11/181
256/22
4,728,312 A * 3/1988 Ohnuma A63H 18/04
446/314
D378,047 S * 2/1997 Chudoba D8/354
D379,424 S * 5/1997 White, Jr. D8/354
D420,568 S * 2/2000 Repmann D8/382
6,070,278 A * 6/2000 Smith A61G 7/1005
4/496
D536,098 S * 1/2007 Walker D25/38.1
D552,760 S * 10/2007 Seiling D25/122
D570,198 S * 6/2008 Mamula D8/354
D617,174 S * 6/2010 Schaefer D25/122
D658,972 S * 5/2012 Virgin D8/349

(Continued)

FOREIGN PATENT DOCUMENTS

EP 687646 A2 * 12/1995
EP 3 153 453 A1 4/2017
(Continued)

OTHER PUBLICATIONS

Devi Stairlifts, announced © 2020 [online], retrieved Mar. 10, 2020,
retrieved from internet, <https://www.devi-stairlifts.com/en/>.
(Continued)

Primary Examiner — Michelle E. Wilson
Assistant Examiner — Messina L Smith
(74) *Attorney, Agent, or Firm* — Jeffrey D. Shewchuk;
Shewchuk IP Services, LLC

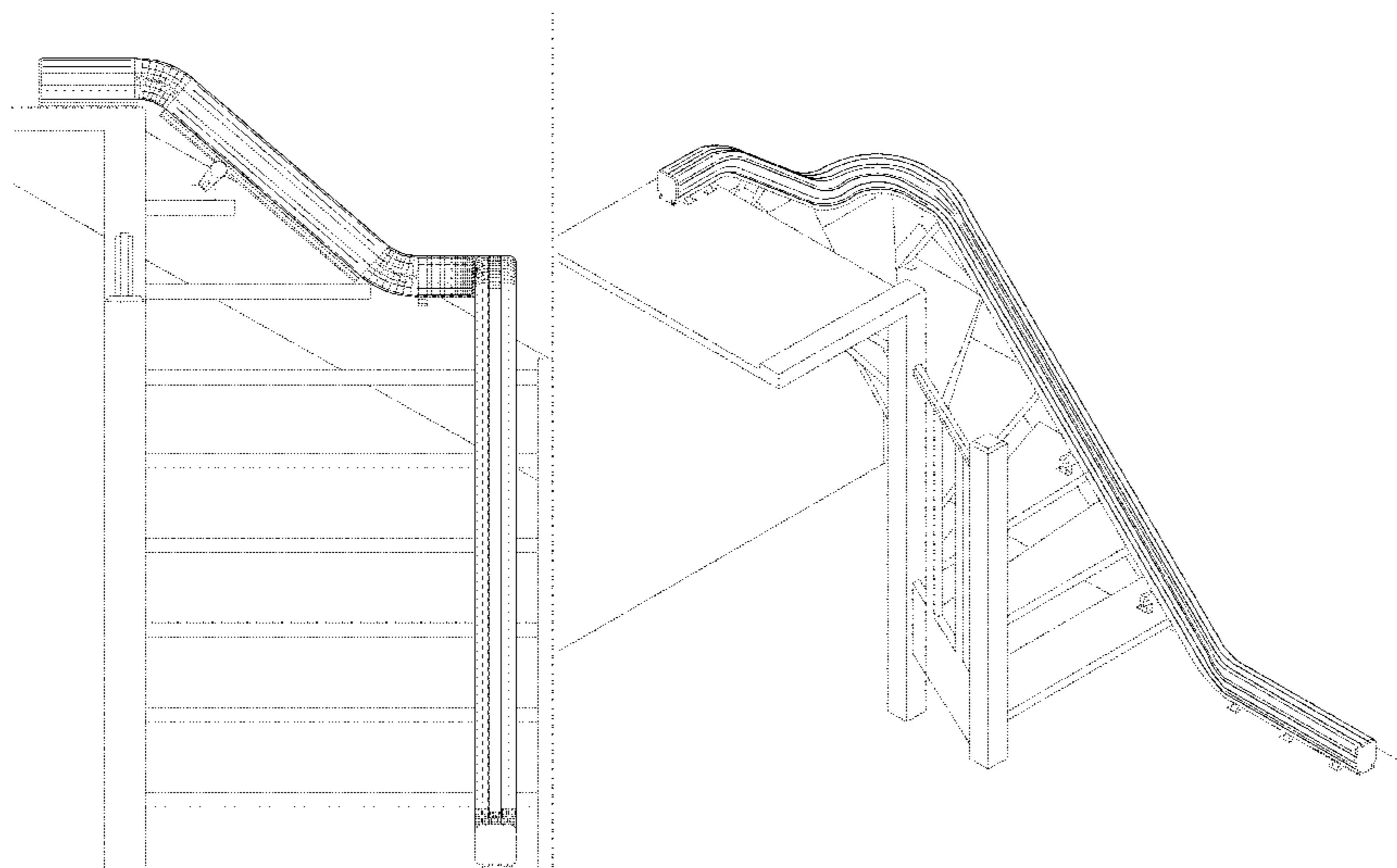
(57) **CLAIM**

The ornamental design for a stair track rail, as shown and described.

DESCRIPTION

FIG. 1 is a left perspective view of a stair track rail showing the new design;
FIG. 2 is a top view thereof;
FIG. 3 is a front view thereof;
FIG. 4 is another left perspective view of the stair track rail shown in an environment of use; and,
FIG. 5 is a left perspective view of the stair track rail of FIG. 1, with the broken line portions of the stair track rail removed to show aspects of the design that may not be apparent in the other views.
The broken lines shown on the rail in the drawings depict portions of the stair track rail that form no part of the claimed design. All other broken lines depict environment and form no part of the claimed design.

1 Claim, 5 Drawing Sheets



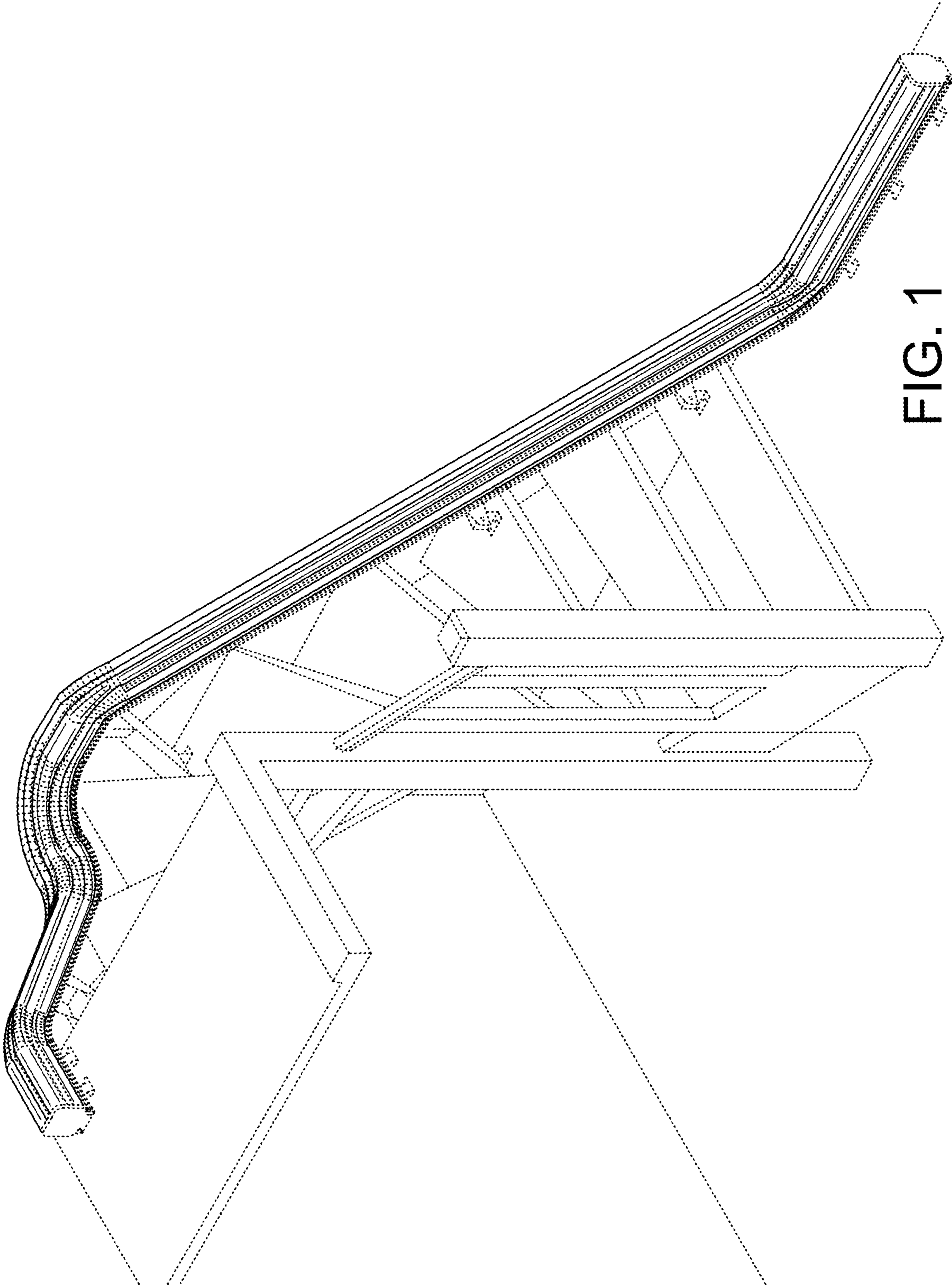


FIG. 1

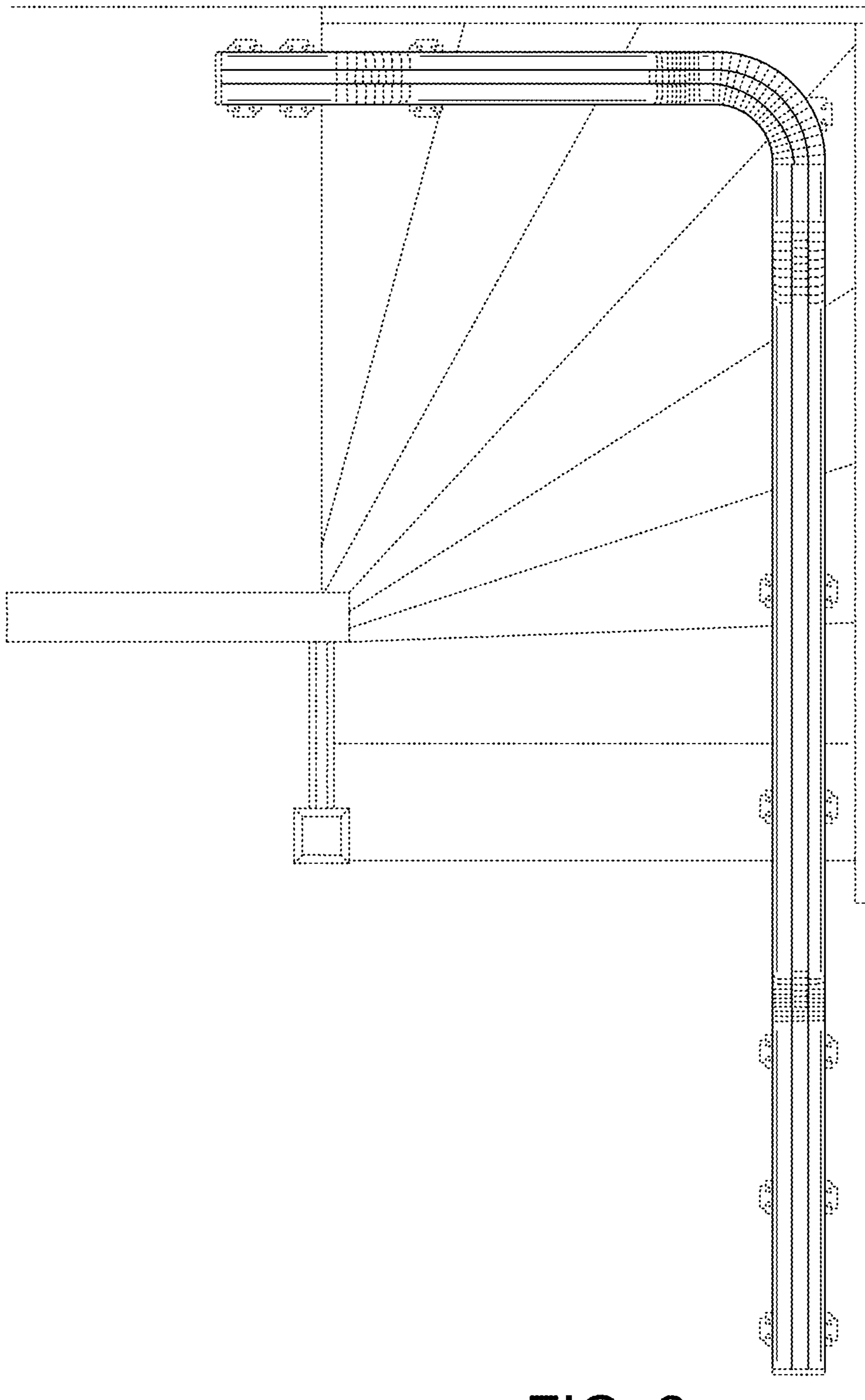


FIG. 2

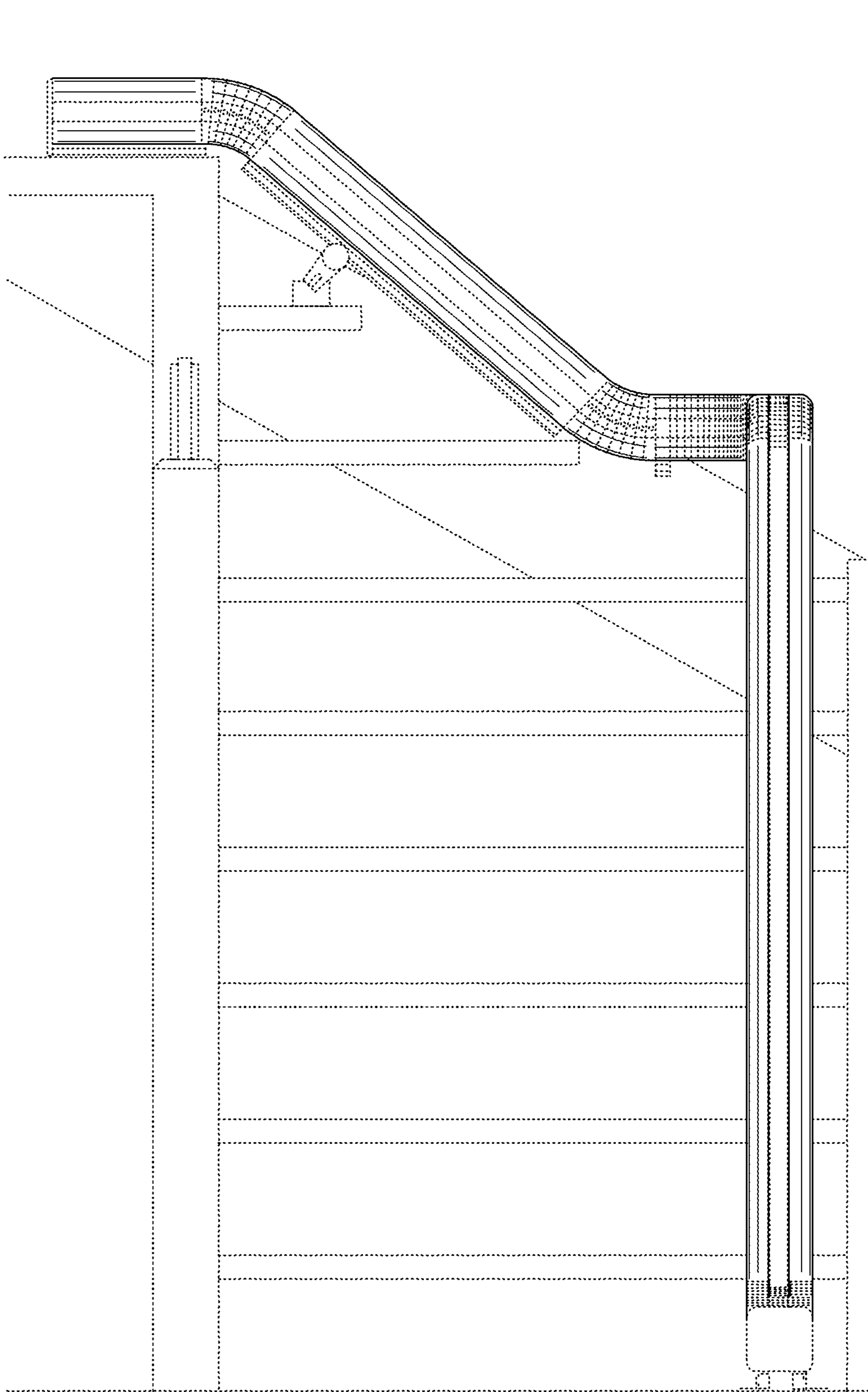


FIG. 3

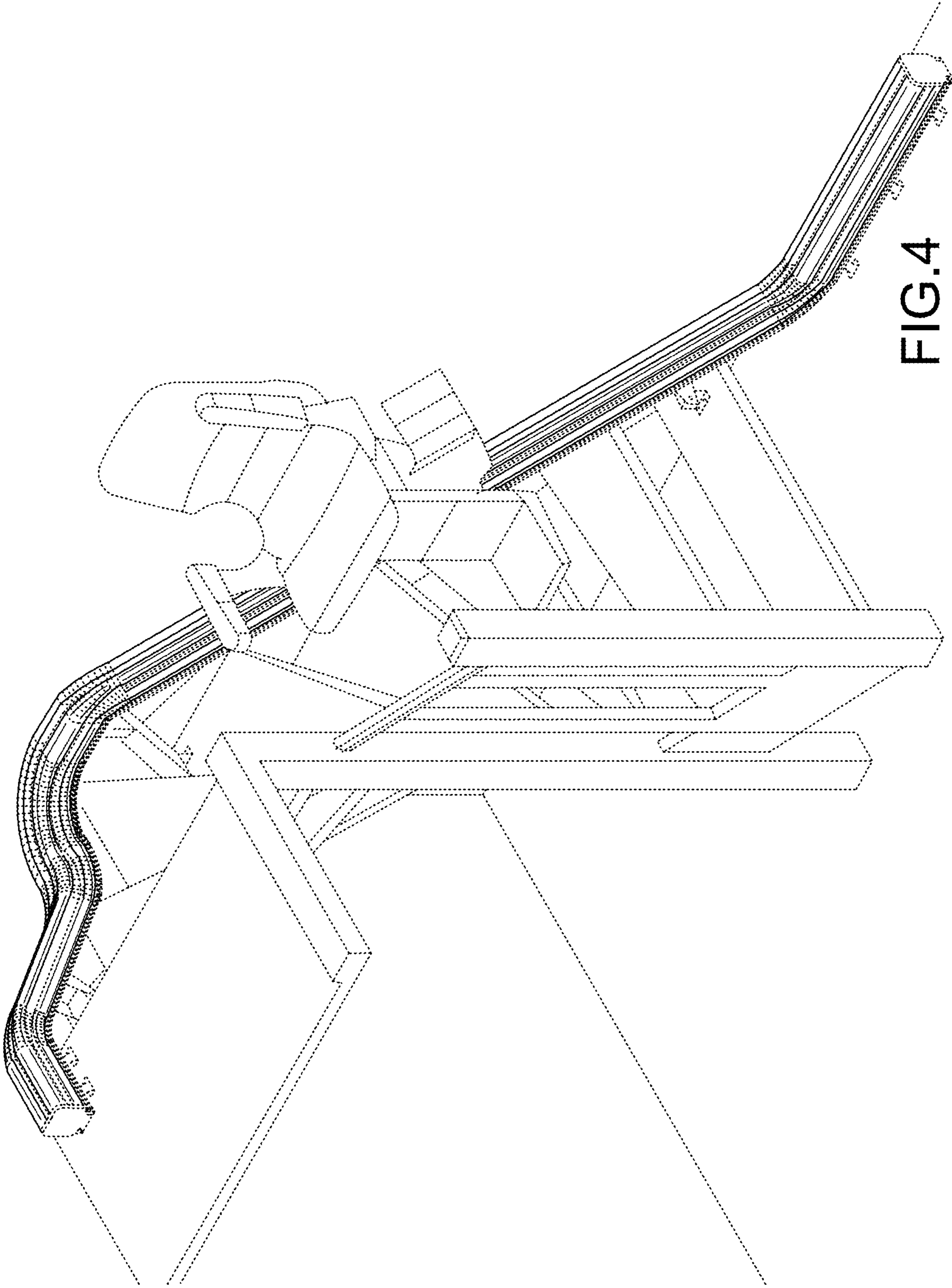


FIG. 4

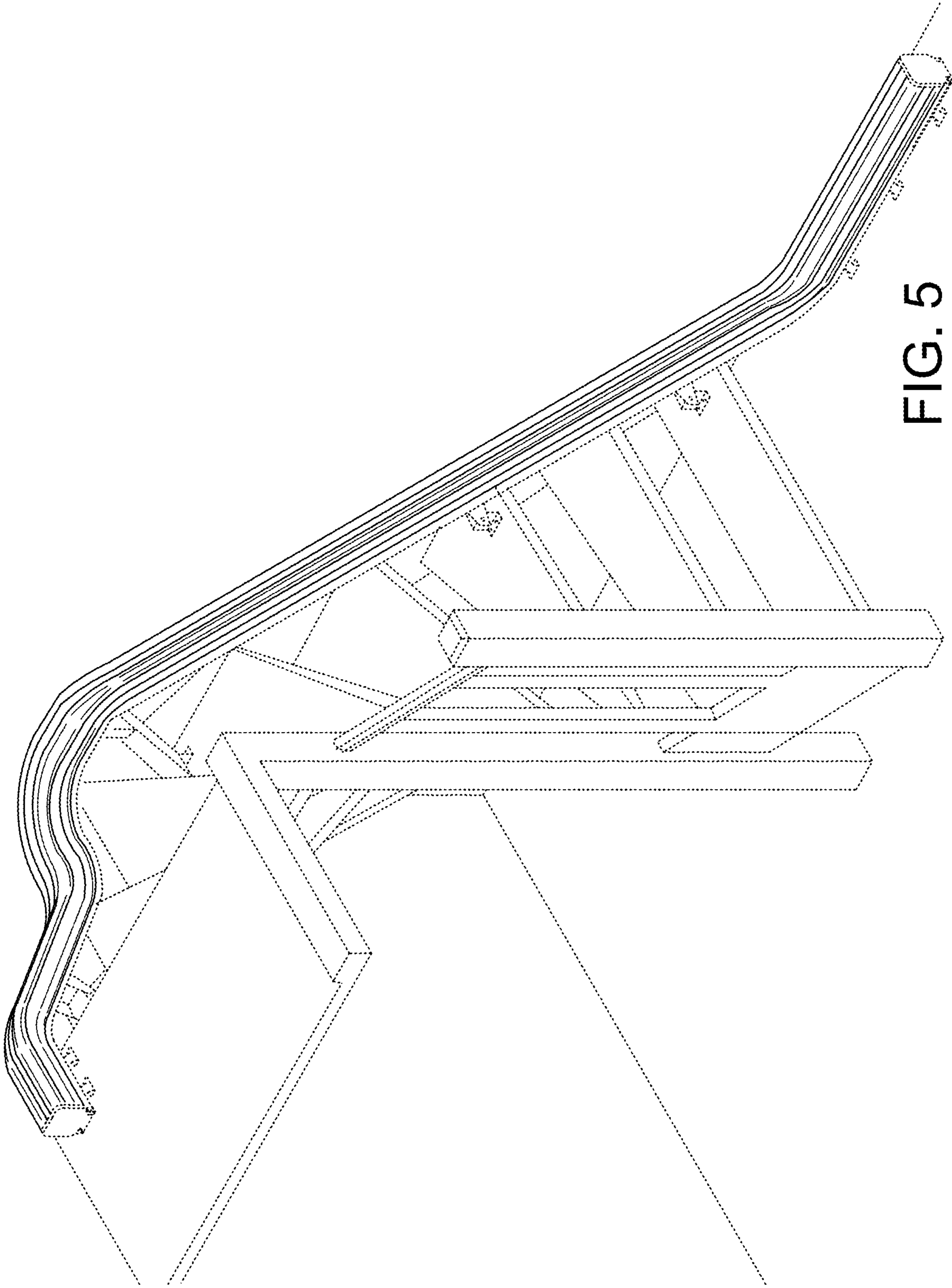


FIG. 5