



US00D898322S

(12) **United States Design Patent**
Fretz et al.

(10) **Patent No.:** **US D898,322 S**

(45) **Date of Patent:** **** Oct. 6, 2020**

- (54) **CONTROL PACK**
- (71) Applicant: **Warn Industries, Inc.**, Clackamas, OR (US)
- (72) Inventors: **Darren G. Fretz**, Oregon City, OR (US); **Eric Vaughn**, Milwaukie, OR (US); **Jackson C. Wang**, Happy Valley, OR (US)
- (73) Assignee: **WARN INDUSTRIES, INC.**, Clackamas, OR (US)

2014/0252286 A1* 9/2014 Averill B66D 1/56
254/344

2016/0096709 A1* 4/2016 Averill B66D 1/12
254/267

2018/0118528 A1* 5/2018 August H05K 7/1432

2018/0118529 A1* 5/2018 Vaughn B66D 1/22

2019/0092608 A1* 3/2019 Cui B66D 1/225

2019/0300344 A1* 10/2019 Cui B66D 1/00

* cited by examiner

Primary Examiner — Cynthia Ramirez

(74) *Attorney, Agent, or Firm* — K&L Gates LLP

(**) Term: **15 Years**

(57) **CLAIM**

(21) Appl. No.: **29/690,345**

The ornamental design for a control pack, as shown and described.

(22) Filed: **May 7, 2019**

(51) **LOC (12) Cl.** **12-05**

(52) **U.S. Cl.**
USPC **D34/33**

(58) **Field of Classification Search**
USPC D34/33
CPC ... B66D 1/14; B66D 1/28; B66D 1/38; B66D 1/04; B66D 1/22; B66D 1/39; B66D 1/7405; B66D 1/00; B66D 1/08; B66D 1/26

See application file for complete search history.

DESCRIPTION

FIG. 1 illustrates a perspective view of a control pack embodying the invention.

FIG. 2 illustrates a rear view of the control pack shown in FIG. 1.

FIG. 3 illustrates a front view of the control pack shown in FIG. 1.

FIG. 4 illustrates a right side view of the control pack shown in FIG. 1.

FIG. 5 illustrates a left side view of the control pack shown in FIG. 1.

FIG. 6 illustrates a top view of the control pack shown in FIG. 1; and,

FIG. 7 illustrates a bottom view of the control pack shown in FIG. 1.

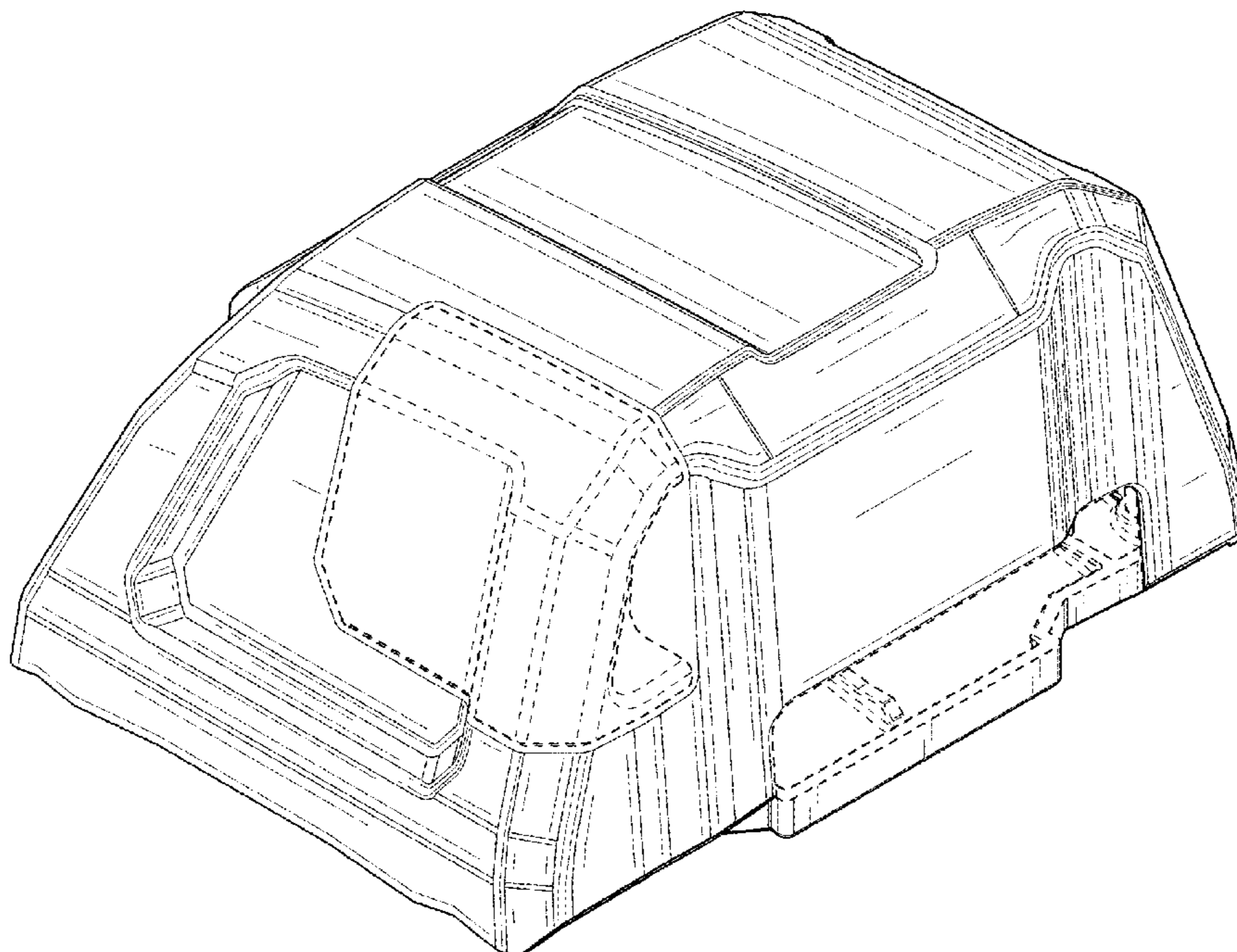
The broken lines in the figures depict portions of the control pack, which for no part of the claimed design.

(56) **References Cited**

U.S. PATENT DOCUMENTS

- D740,513 S * 10/2015 Fretz D34/33
- D744,189 S * 11/2015 Fretz D34/33
- D811,684 S * 2/2018 Fretz D34/33
- D888,360 S * 6/2020 Zheng D34/33
- 2014/0001427 A1* 1/2014 Fretz B66D 1/02
254/342

1 Claim, 7 Drawing Sheets



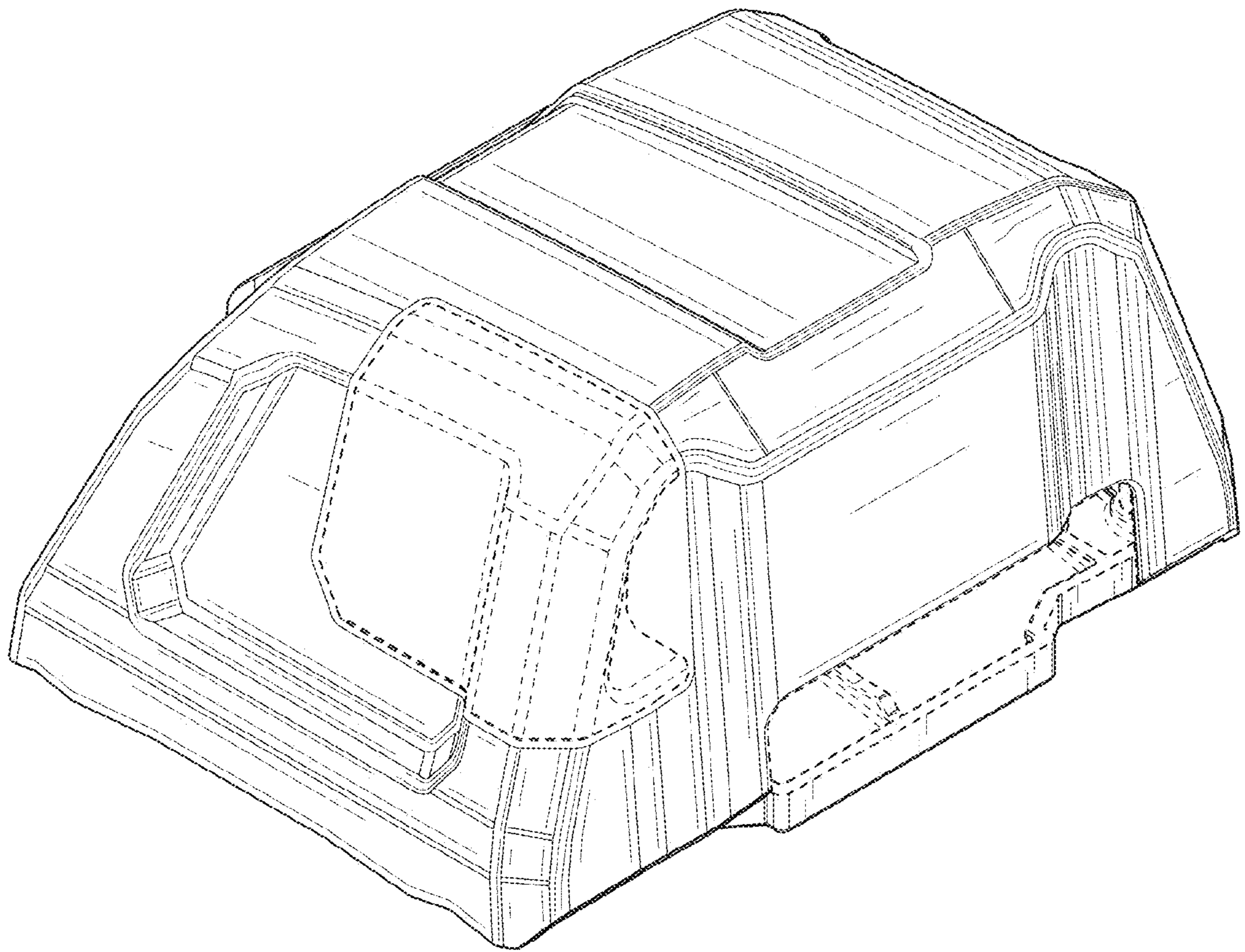


FIG. 1

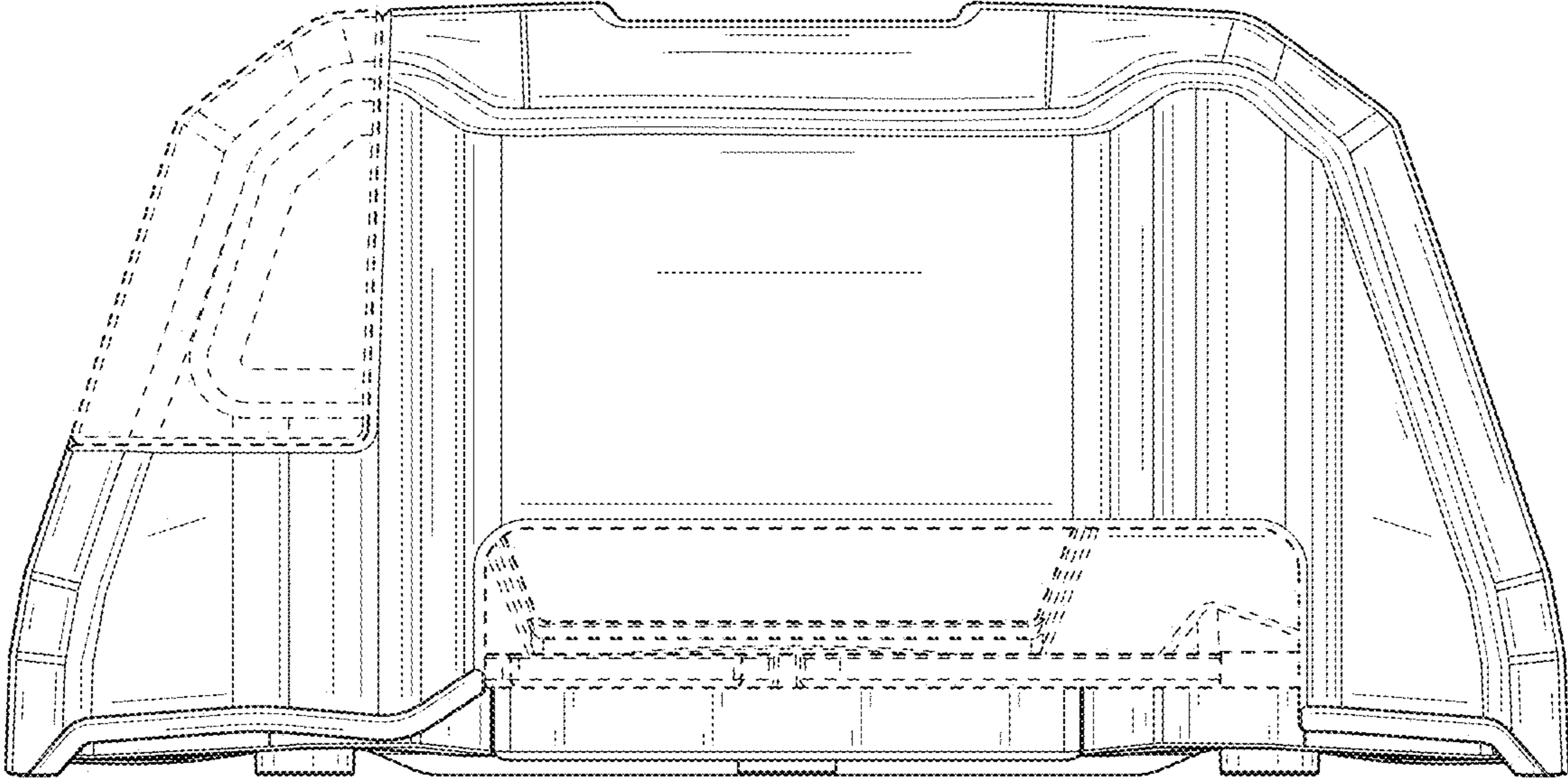


FIG. 2

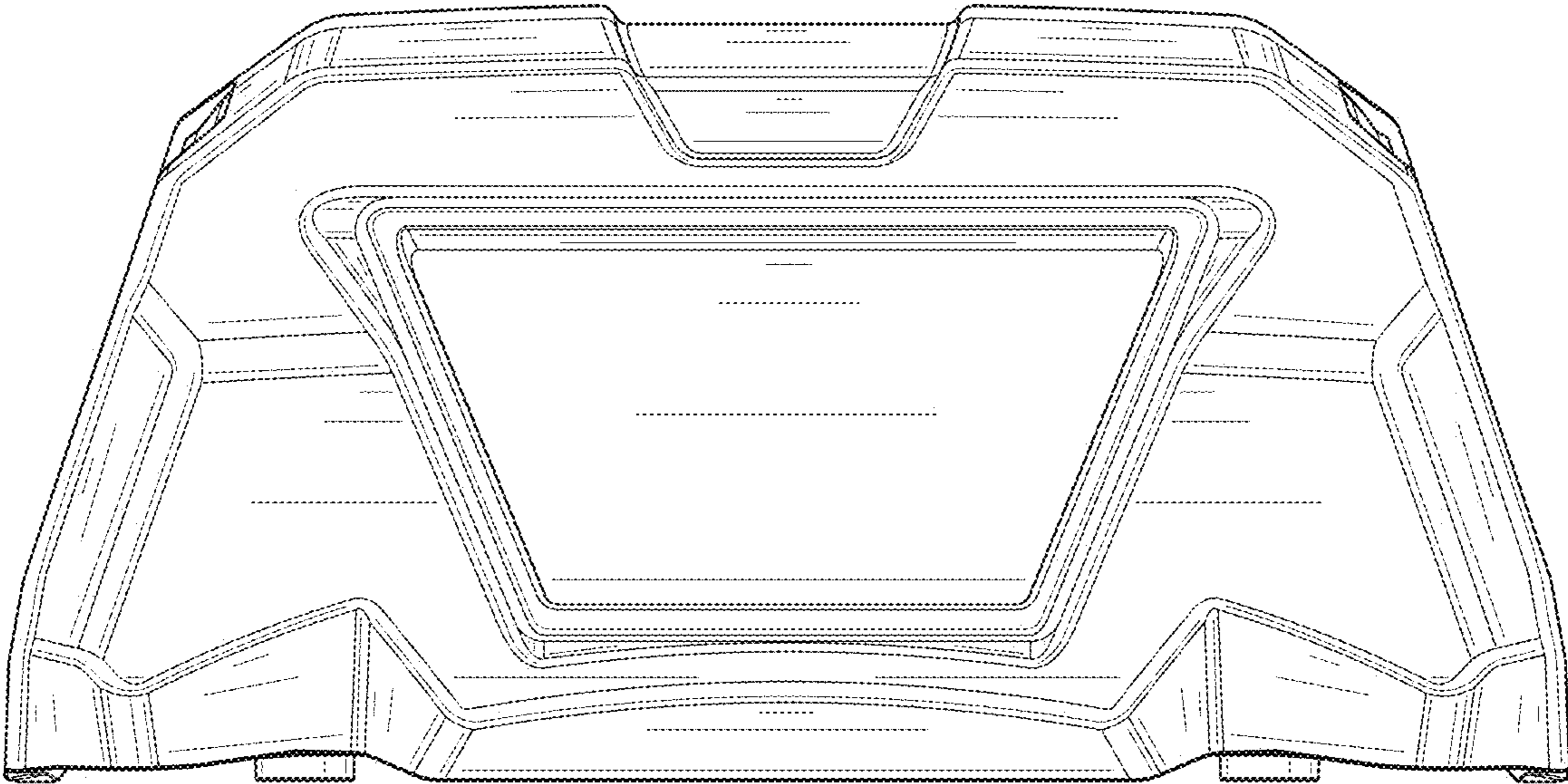


FIG. 3

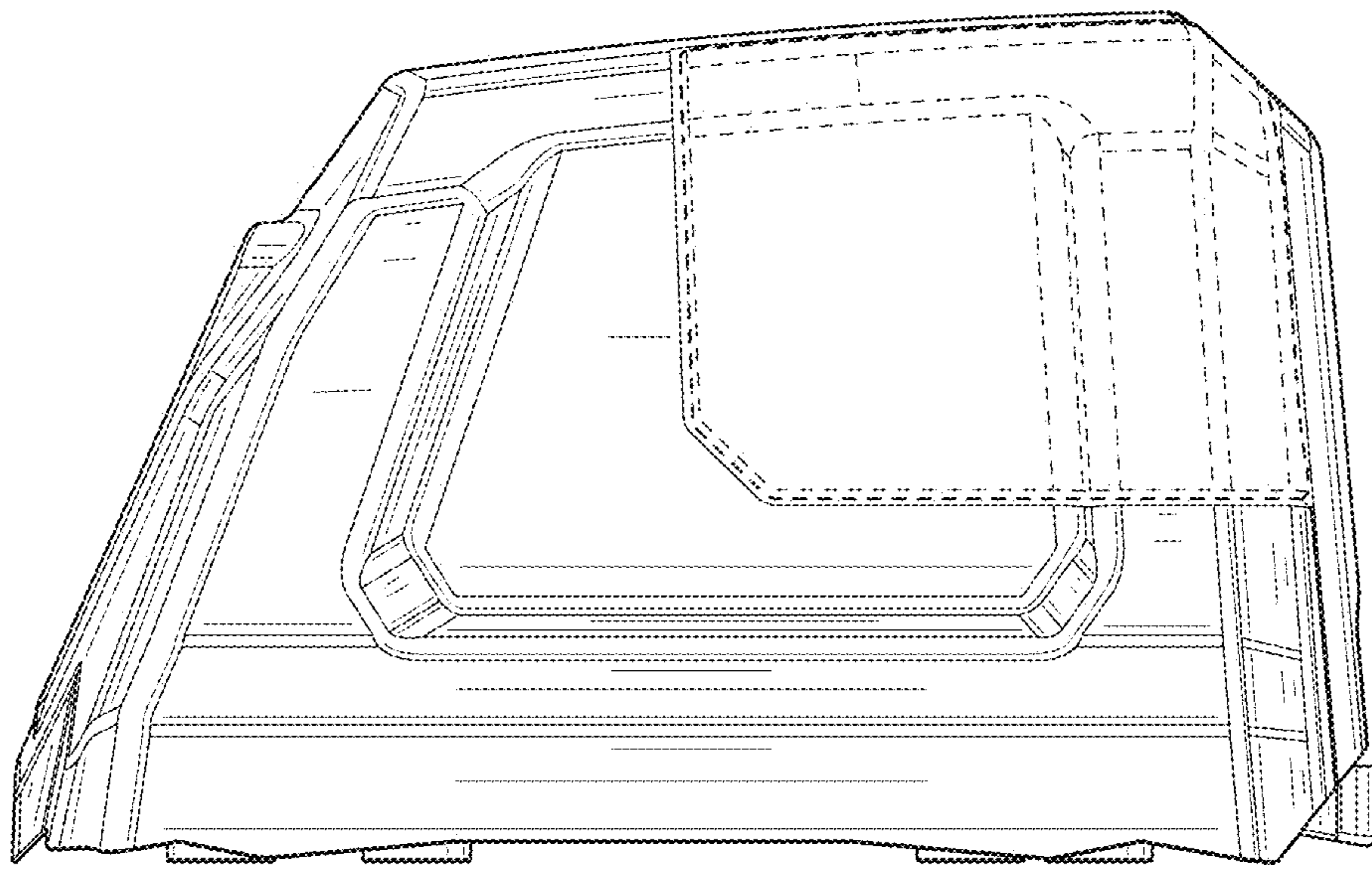


FIG. 4

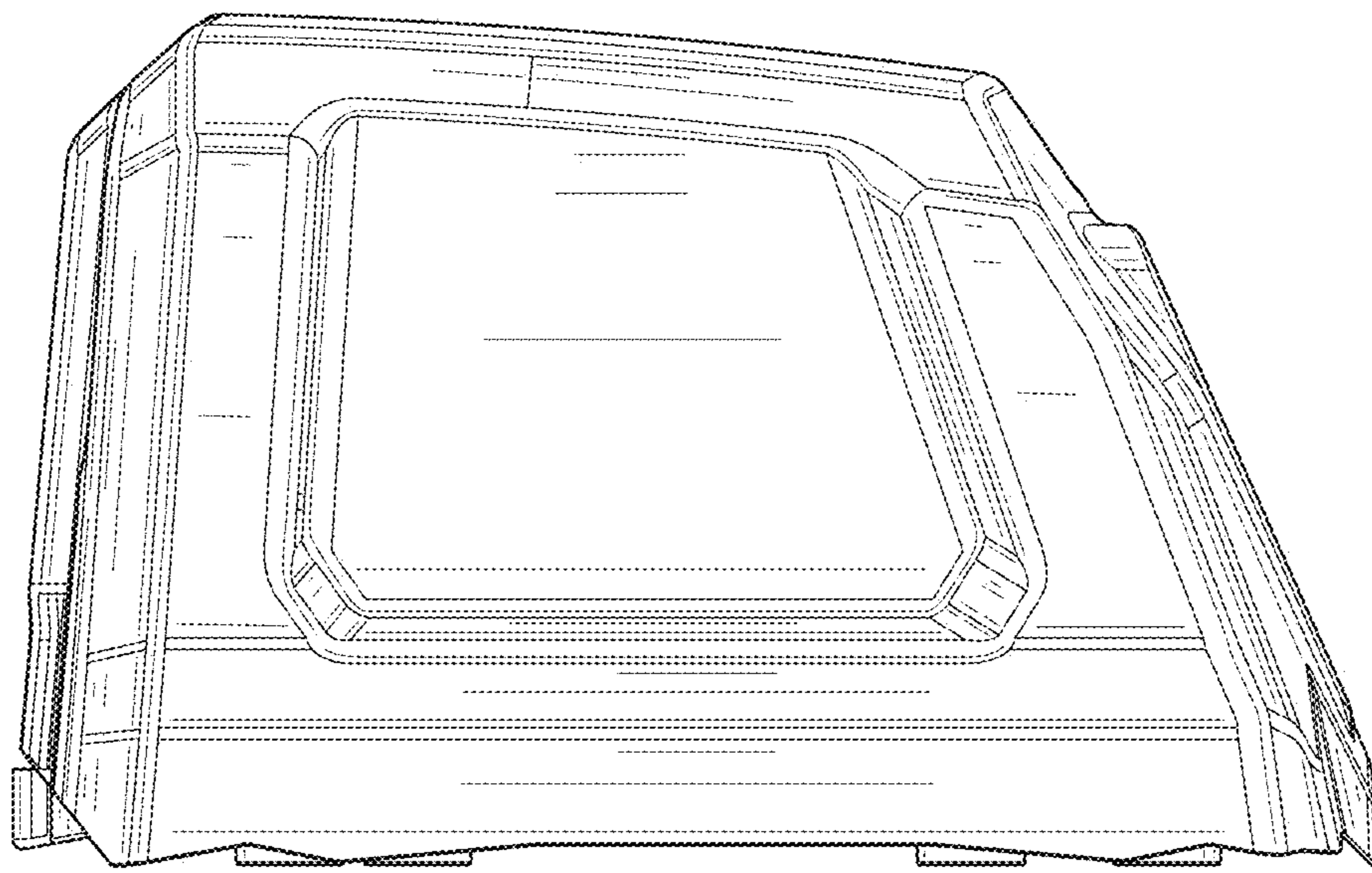


FIG. 5

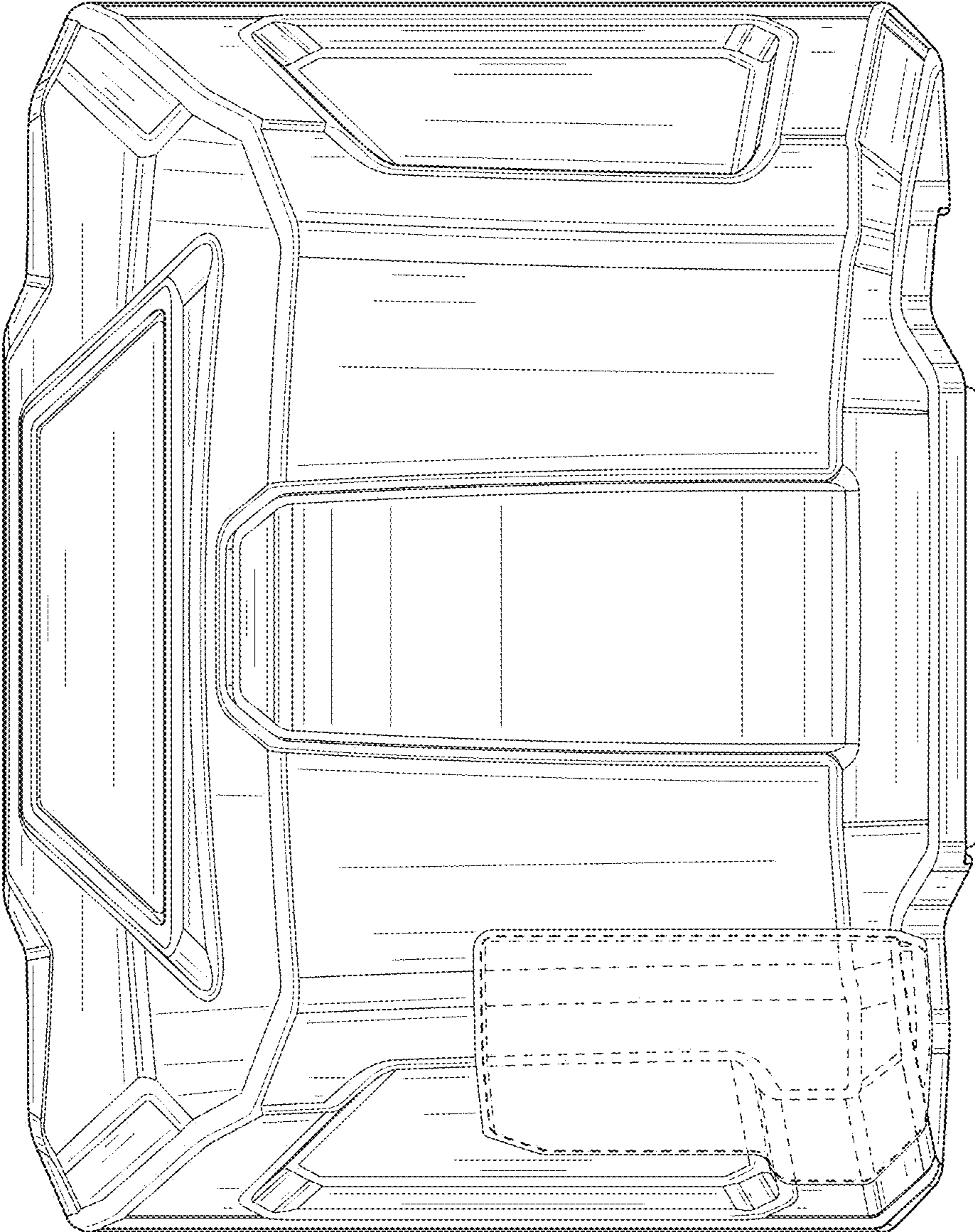


FIG. 6

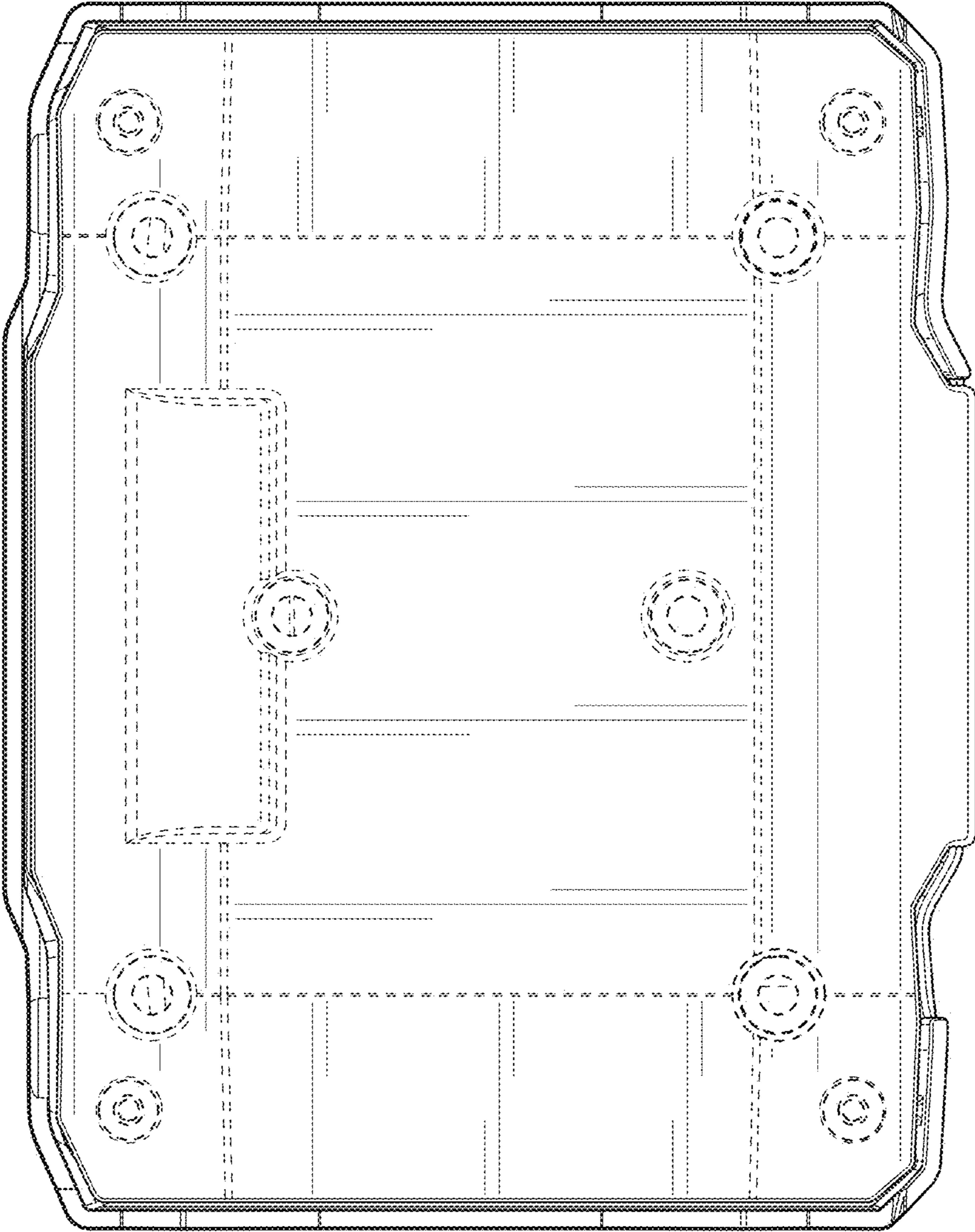


FIG. 7