



US00D898321S

(12) **United States Design Patent**
Fretz et al.

(10) **Patent No.:** **US D898,321 S**

(45) **Date of Patent:** **** Oct. 6, 2020**

(54) **WINCH**

(71) Applicant: **Warn Industries, Inc.**, Clackamas, OR
(US)

(72) Inventors: **Darren G. Fretz**, Oregon City, OR
(US); **Eric Vaughn**, Milwaukie, OR
(US); **Jackson C. Wang**, Happy Valley,
OR (US)

(73) Assignee: **WARN INDUSTRIES, INC.**,
Clackamas, OR (US)

(**) Term: **15 Years**

(21) Appl. No.: **29/690,342**

(22) Filed: **May 7, 2019**

(51) **LOC (12) Cl.** **12-05**

(52) **U.S. Cl.**
USPC **D34/33**

(58) **Field of Classification Search**
USPC D34/33
CPC ... B66D 1/16; B66D 1/12; B66D 1/40; B66D
1/56
See application file for complete search history.

(56) **References Cited**

U.S. PATENT DOCUMENTS

D489,157 S *	4/2004	Lawson	D34/33
D703,414 S *	4/2014	Fretz	D34/33
D740,513 S *	10/2015	Fretz	D34/33
D744,189 S *	11/2015	Fretz	D34/33
D849,352 S *	5/2019	Fretz	D34/33
D849,353 S *	5/2019	Fretz	D34/33
D853,072 S *	7/2019	Fretz	D34/33

D888,360 S *	6/2020	Zheng	D34/33
2014/0001427 A1 *	1/2014	Fretz	B66D 1/02 254/342
2014/0252286 A1 *	9/2014	Averill	B66D 1/56 254/344
2016/0096709 A1 *	4/2016	Averill	B66D 1/12 254/267
2018/0118528 A1 *	5/2018	August	H05K 7/1432
2018/0118529 A1 *	5/2018	Vaughn	B66D 1/22
2018/0175713 A1 *	6/2018	Fretz	H02K 7/116
2018/0273357 A1 *	9/2018	Huang	B66D 1/12
2019/0092608 A1 *	3/2019	Cui	B66D 1/225

* cited by examiner

Primary Examiner — Cynthia Ramirez

(74) *Attorney, Agent, or Firm* — K&L Gates LLP

(57) **CLAIM**

The ornamental design for a winch, as shown and described.

DESCRIPTION

FIG. 1 illustrates a perspective view of a winch embodying the invention.

FIG. 2 illustrates a rear view of the winch shown in FIG. 1.

FIG. 3 illustrates a front view of the winch shown in FIG. 1.

FIG. 4 illustrates a right side view of the winch shown in FIG. 1.

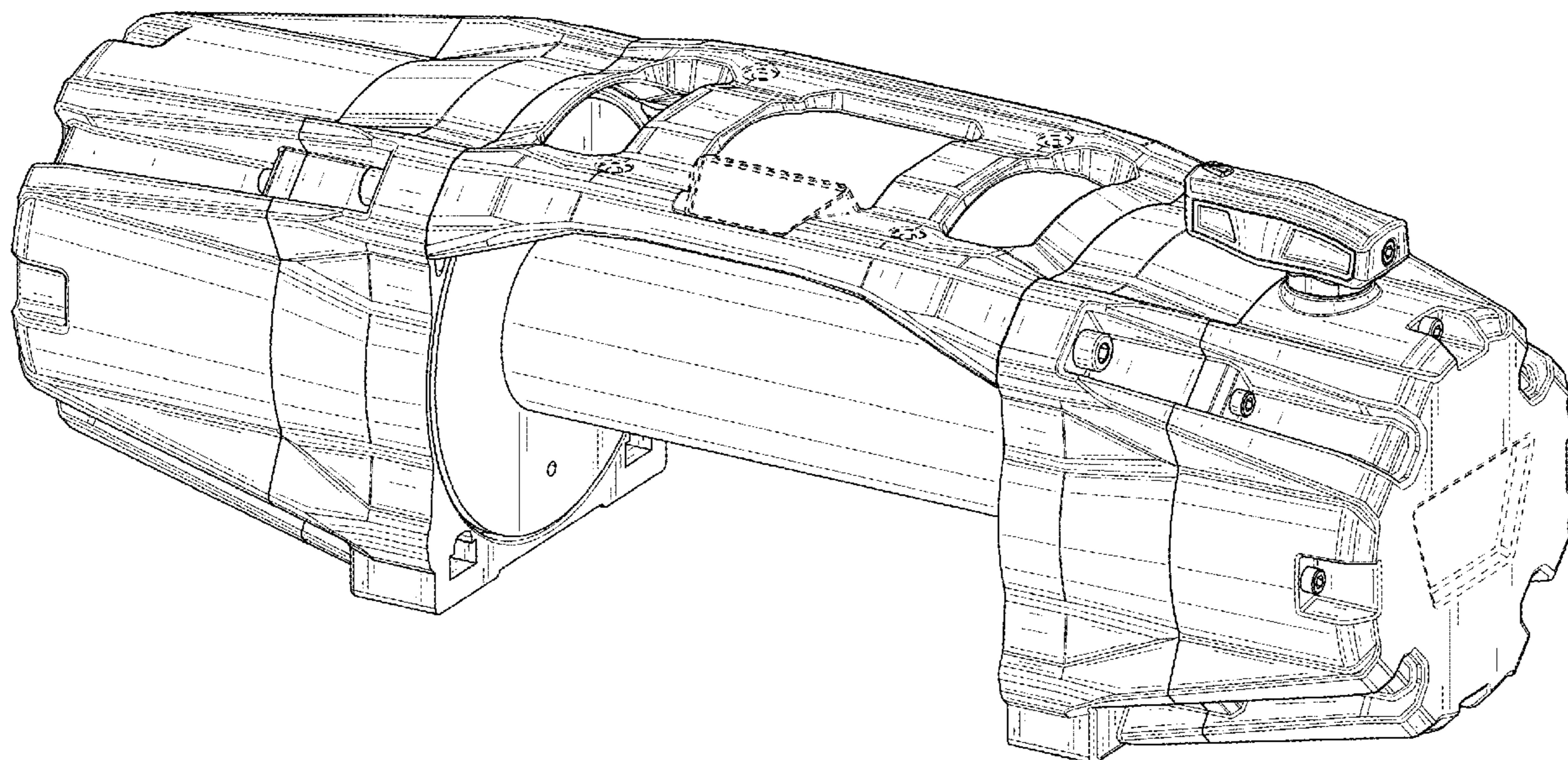
FIG. 5 illustrates a left side view of the winch shown in FIG. 1.

FIG. 6 illustrates a top view of the winch shown in FIG. 1; and,

FIG. 7 illustrates a bottom view of the winch shown in FIG. 1.

The broken lines in the figures show portions of the winch, which form no part of the claimed design.

1 Claim, 7 Drawing Sheets



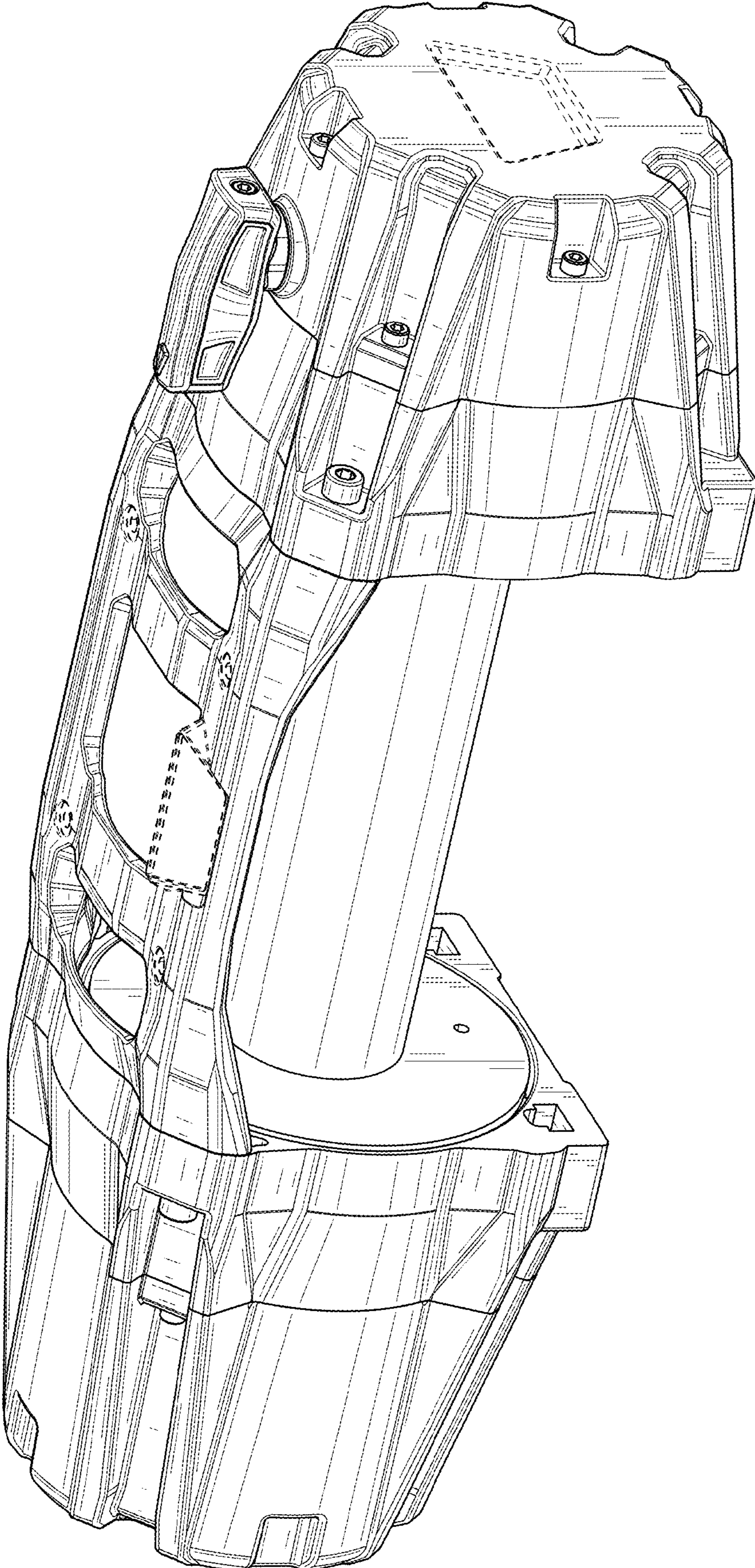


FIG. 1

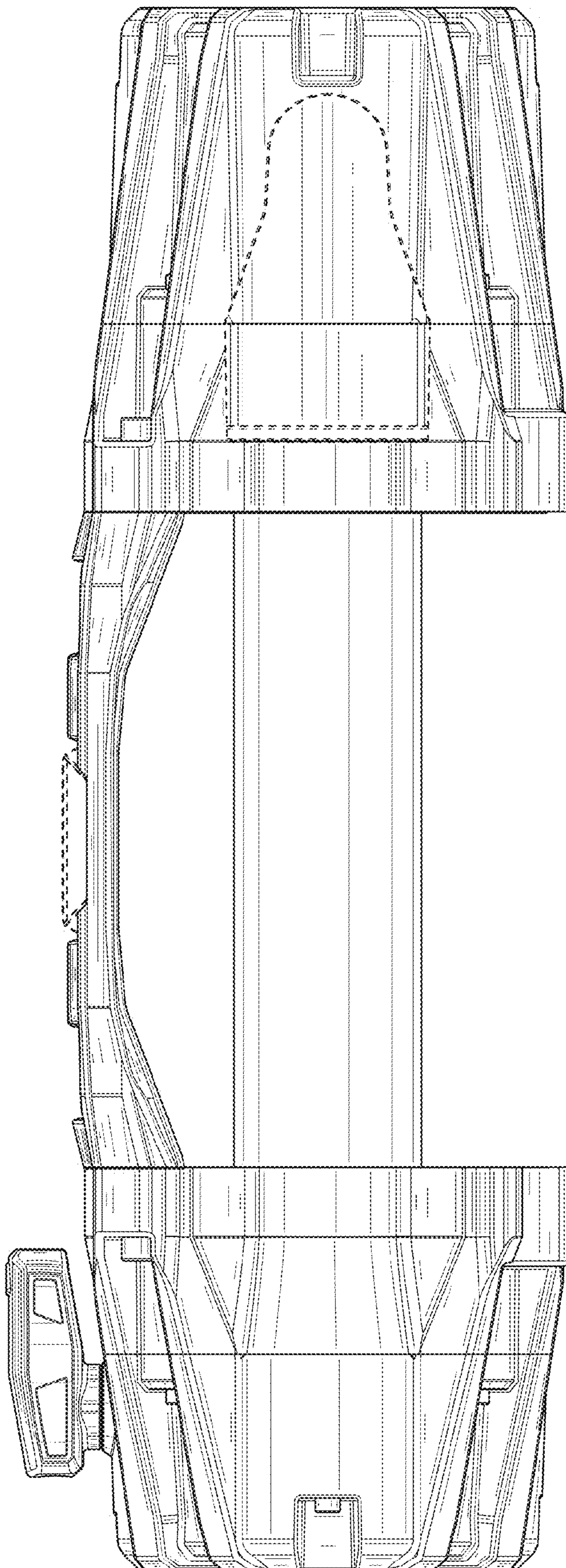


FIG. 2

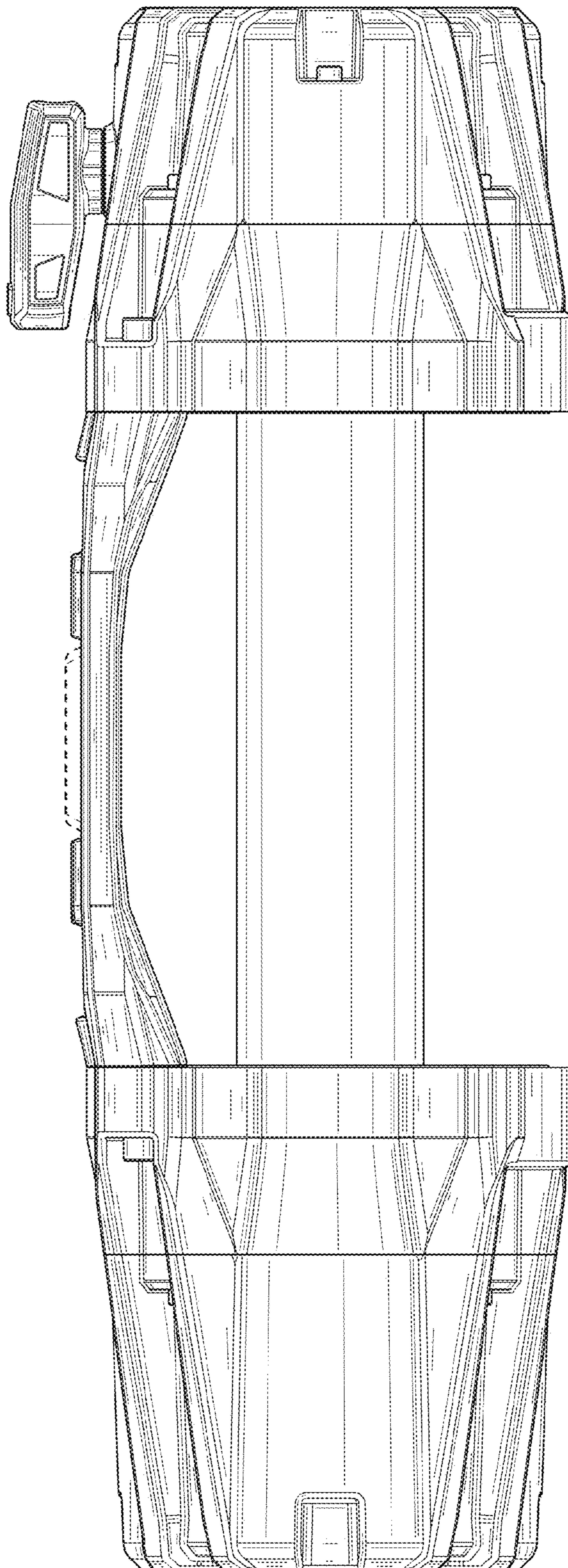


FIG. 3

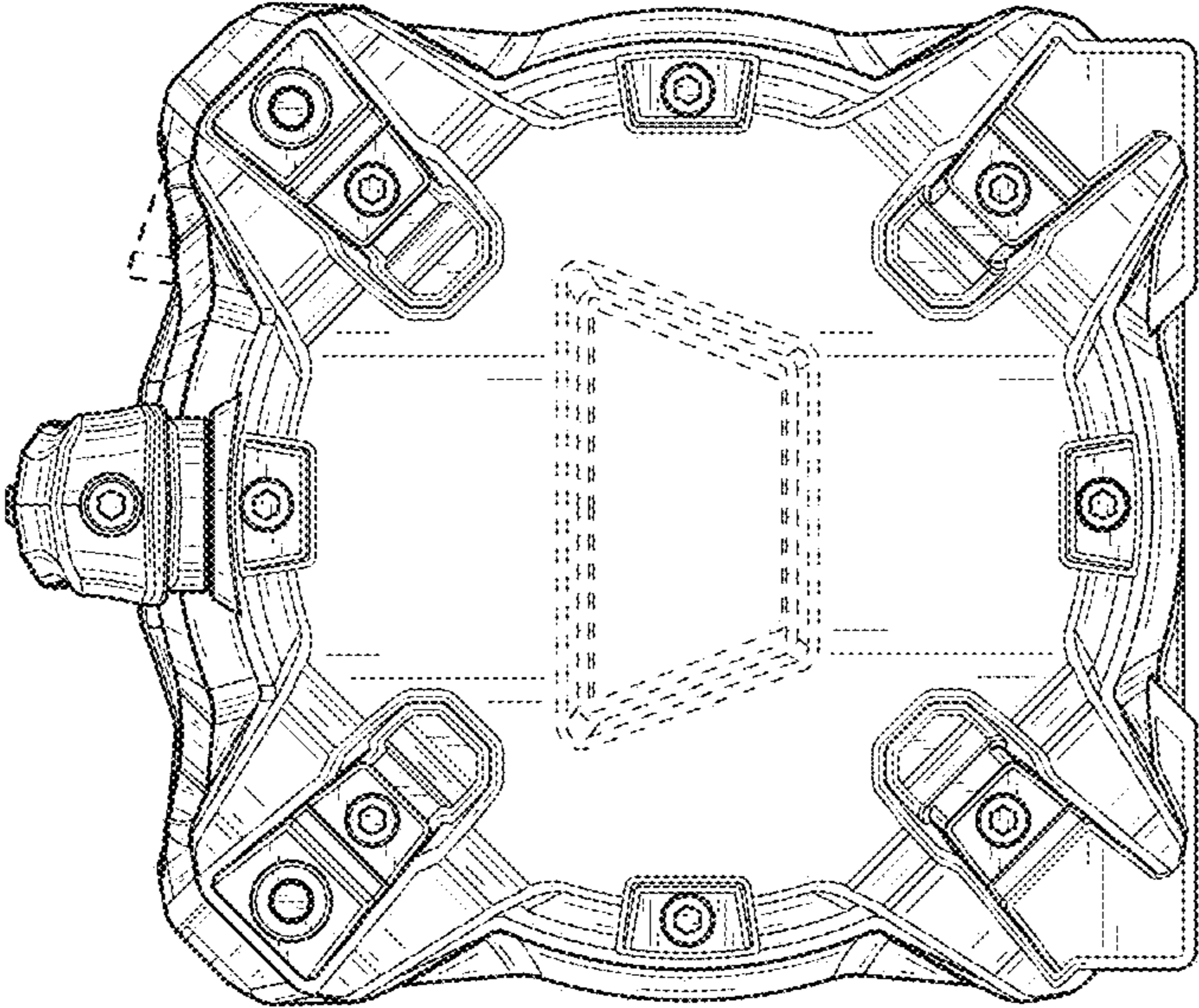


FIG. 4

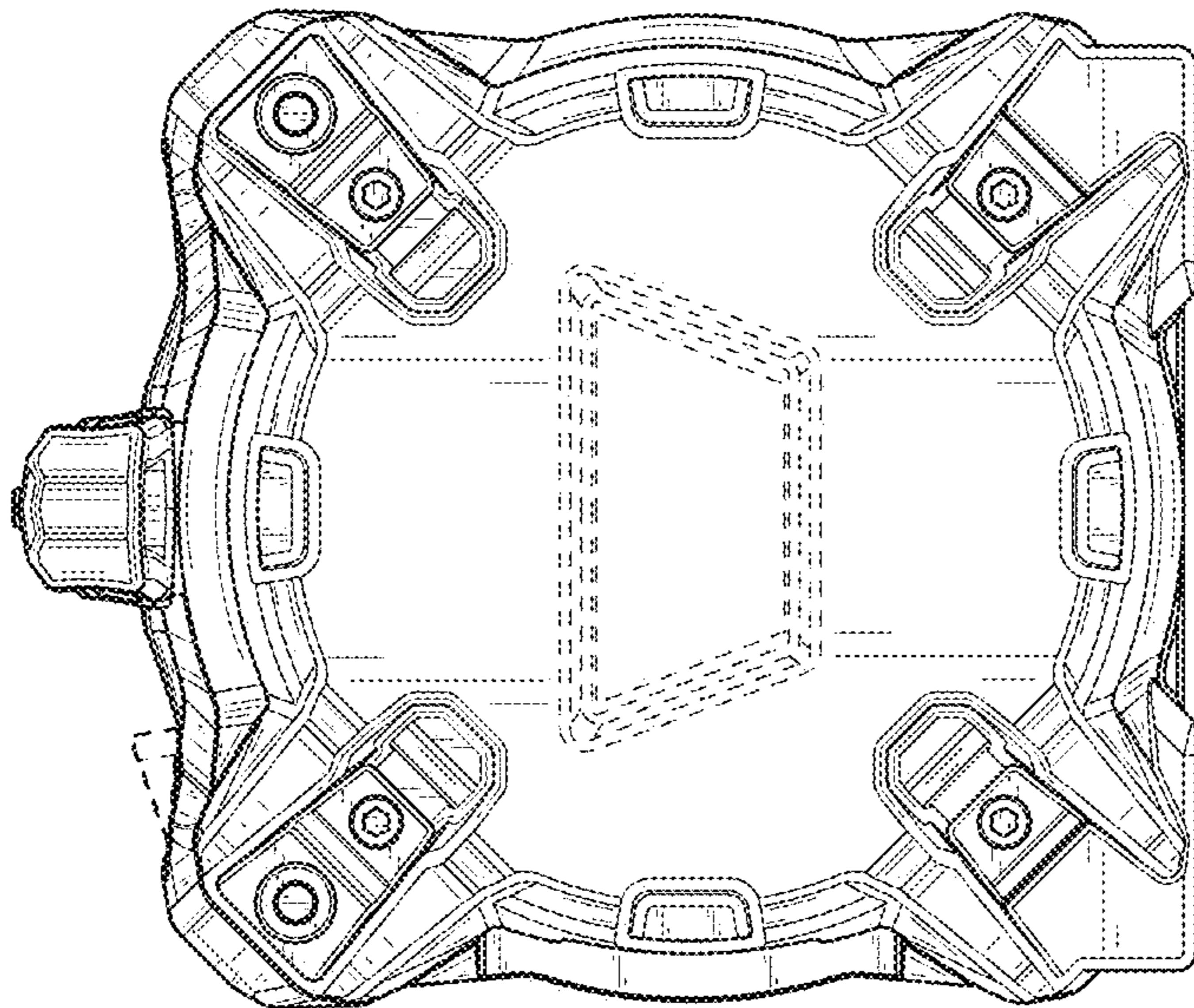


FIG. 5

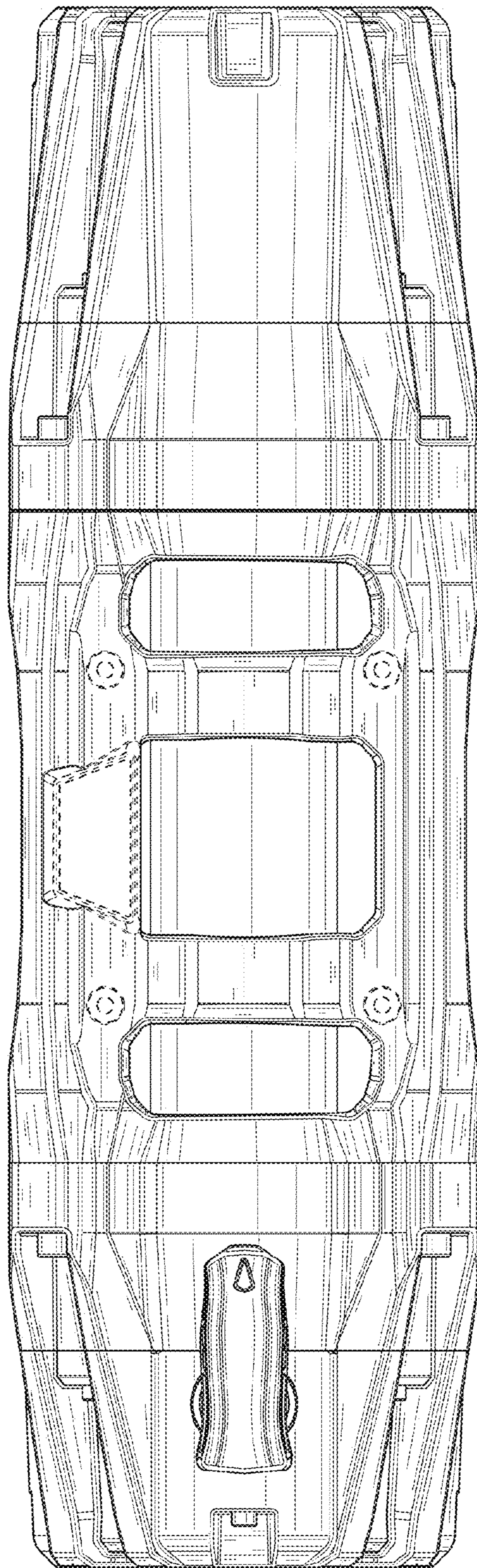


FIG. 6

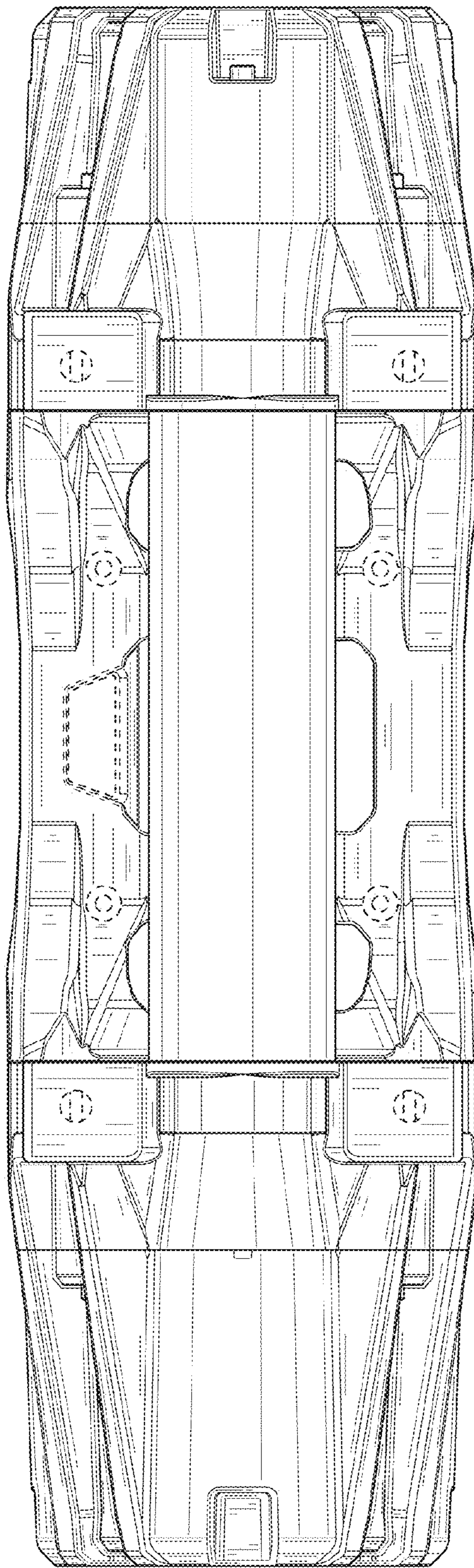


FIG. 7