



US00D898318S

(12) **United States Design Patent** (10) **Patent No.:** **US D898,318 S**
Pareek et al. (45) **Date of Patent:** **** Oct. 6, 2020**

(54) **SUPPORT ASSEMBLY FOR A GAS CYLINDER**

(56) **References Cited**

(71) Applicants: **Mayank Pareek**, Amherst, NY (US); **Ashwini K Sinha**, East Amherst, NY (US); **Stanely M Smith**, Clarence Center, NY (US); **Ranko Bursac**, Libertyville, IL (US); **Amber L Boll**, Elma, NY (US); **Merry Riehm-Constantino**, Buffalo, NY (US); **Amy Beth Hangen**, Clarence, NY (US)

U.S. PATENT DOCUMENTS

3,064,991 A * 11/1962 Huthsing, Jr. B62B 1/264
280/47.24
5,180,179 A * 1/1993 Salvucci B62B 1/264
16/422

(Continued)

FOREIGN PATENT DOCUMENTS

CN 107323506 A 11/2017
CN 107351895 A 11/2017
DE 202015102466 U1 8/2016

Primary Examiner — Gino Colan

(74) *Attorney, Agent, or Firm* — Nilay S. Dalal

(72) Inventors: **Mayank Pareek**, Amherst, NY (US); **Ashwini K Sinha**, East Amherst, NY (US); **Stanely M Smith**, Clarence Center, NY (US); **Ranko Bursac**, Libertyville, IL (US); **Amber L Boll**, Elma, NY (US); **Merry Riehm-Constantino**, Buffalo, NY (US); **Amy Beth Hangen**, Clarence, NY (US)

(57) **CLAIM**

We claim the ornamental design for a support assembly for a gas cylinder, as shown and described.

(73) Assignee: **Praxair Technology, Inc.**, Danbury, CT (US)

DESCRIPTION

(**) Term: **15 Years**

(21) Appl. No.: **29/663,856**

(22) Filed: **Sep. 19, 2018**

(51) **LOC (12) Cl.** **12-02**

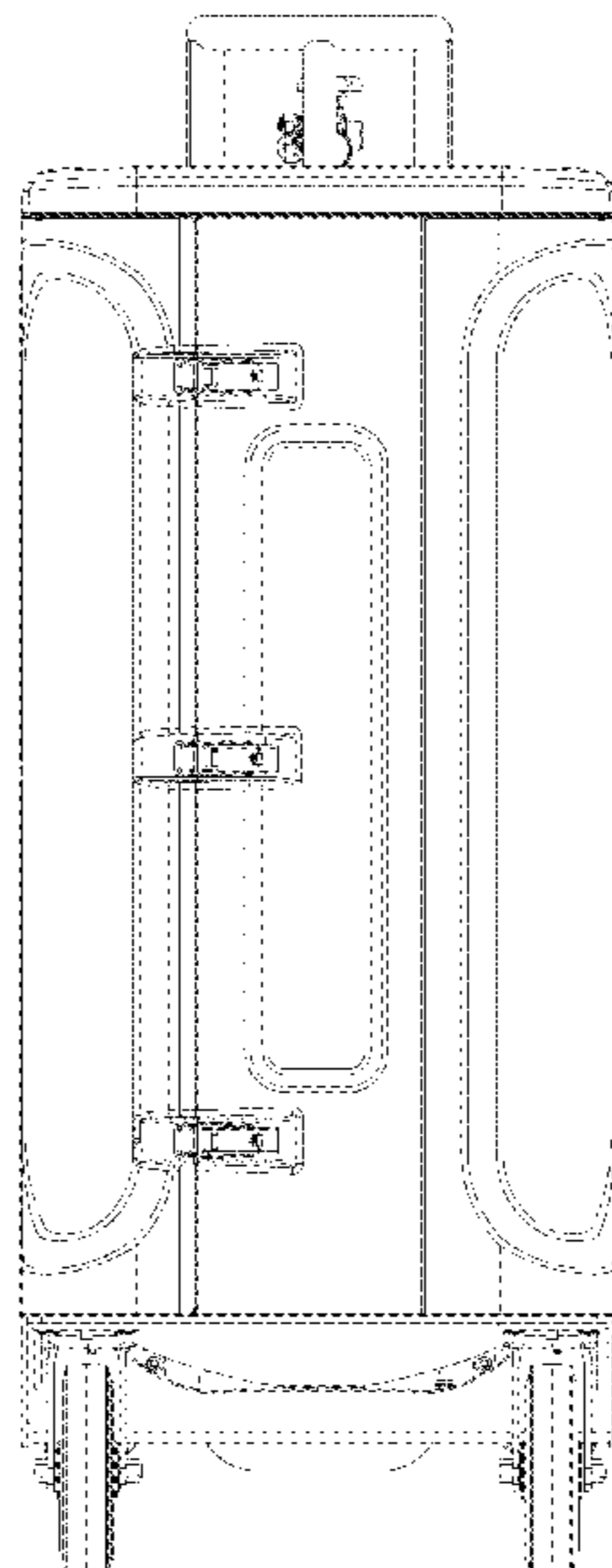
(52) **U.S. Cl.**
USPC **D34/18**

(58) **Field of Classification Search**
USPC D34/12-14, 16, 17, 18, 19-23, 25-27;
280/79.5, 47.24; 16/422; D24/164
CPC B62B 1/12; B62B 3/02; B62B 1/16; B62B
1/20; B62B 2205/006; B62B 2206/006;
B62B 3/002; B62B 3/027; B62B 5/0438;
B62B 1/04; B62B 1/042; B62B 2202/022;
B62B 1/264; B62B 2205/32; B62B 1/22;

FIG. 1 is a rear elevation view of a support assembly for a gas cylinder, showing our new design;
FIG. 2 is a front elevation view thereof;
FIG. 3 is a right side elevation view thereof;
FIG. 4 is a left side elevation view thereof;
FIG. 5 is a top plan view thereof;
FIG. 6 is a bottom plan view thereof;
FIG. 7 is a top, front and left side perspective view thereof;
FIG. 8 is a top, front and right side perspective view thereof;
FIG. 9 is a top, rear and right side perspective view thereof;
and,
FIG. 10 is a top, rear and left side perspective view thereof.
The broken lines shown in the figures are included for the purpose of illustrating portions of the support assembly for a gas cylinder and form no part of the claimed design.

(Continued)

1 Claim, 5 Drawing Sheets



(58) **Field of Classification Search**

CPC B62B 3/0606; B60B 2200/432; A61G
12/001; A61H 3/04

See application file for complete search history.

(56) **References Cited**

U.S. PATENT DOCUMENTS

6,953,200 B2 * 10/2005 Hartsock B62B 3/04
280/79.5
D632,041 S * 2/2011 Hittle D34/18
D776,279 S * 1/2017 Newman D24/164
D807,510 S * 1/2018 Newman D24/164
10,053,124 B2 * 8/2018 Intravatola F17C 13/084
D854,274 S * 7/2019 Intravatola D34/18
2004/0104550 A1 6/2004 Do
2005/0194218 A1 9/2005 D Arca
2006/0163829 A1 7/2006 Livengood et al.
2008/0164669 A1 7/2008 Stone
2010/0021275 A1 1/2010 Ratermann
2011/0309076 A1 12/2011 Liebenberg et al.
2011/0318149 A1 12/2011 Barnes et al.
2012/0289765 A1 11/2012 Kaushansky et al.
2015/0167898 A1 6/2015 Hilton

* cited by examiner

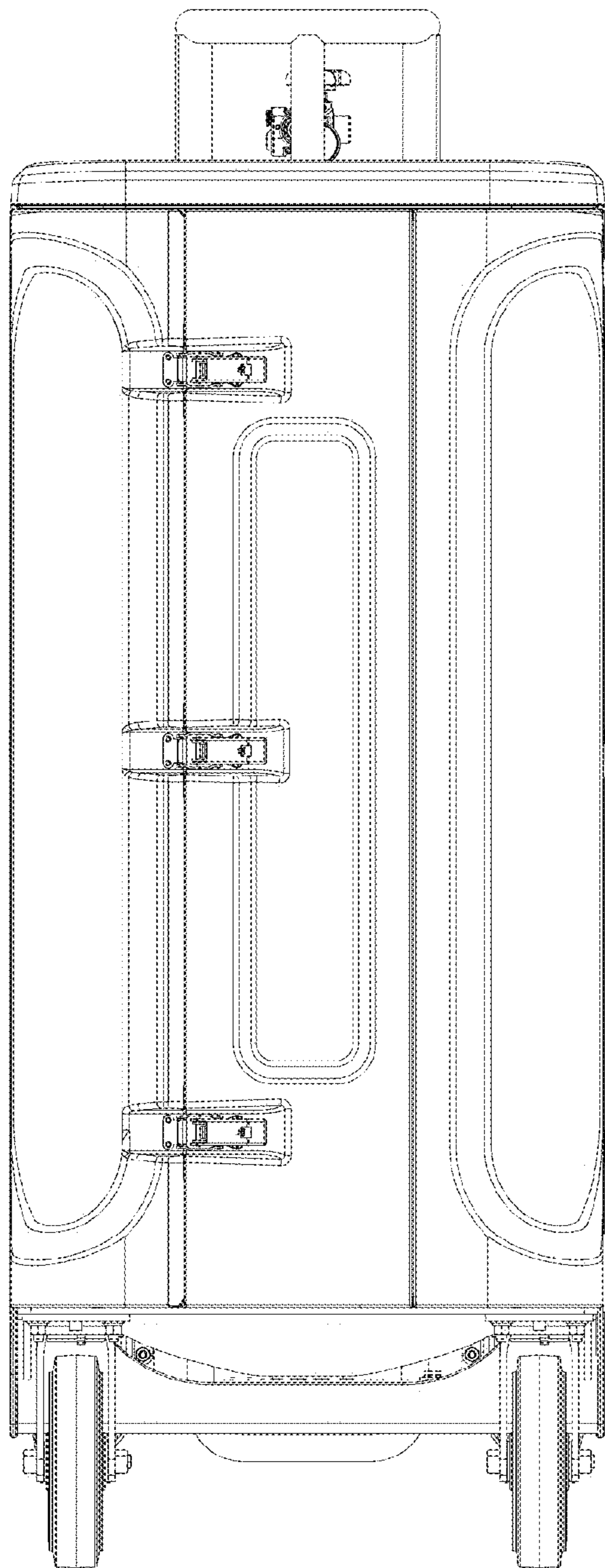


FIG. 1

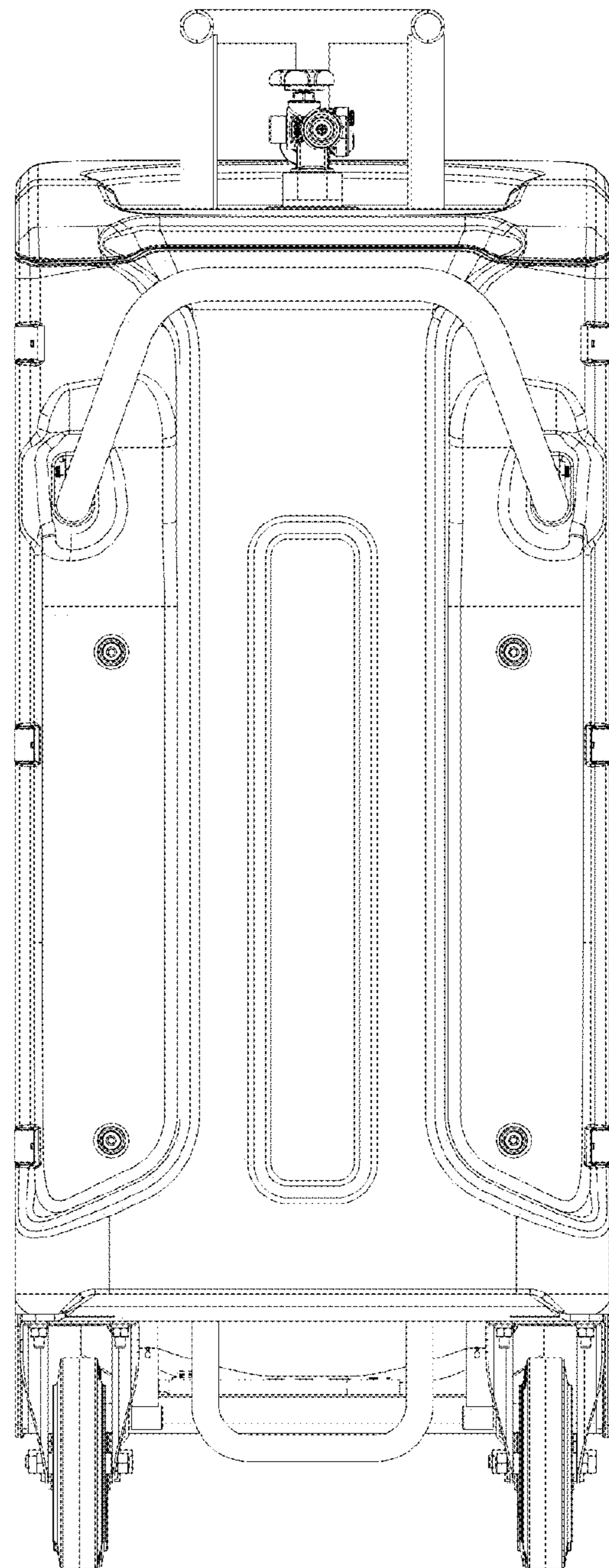


FIG. 2

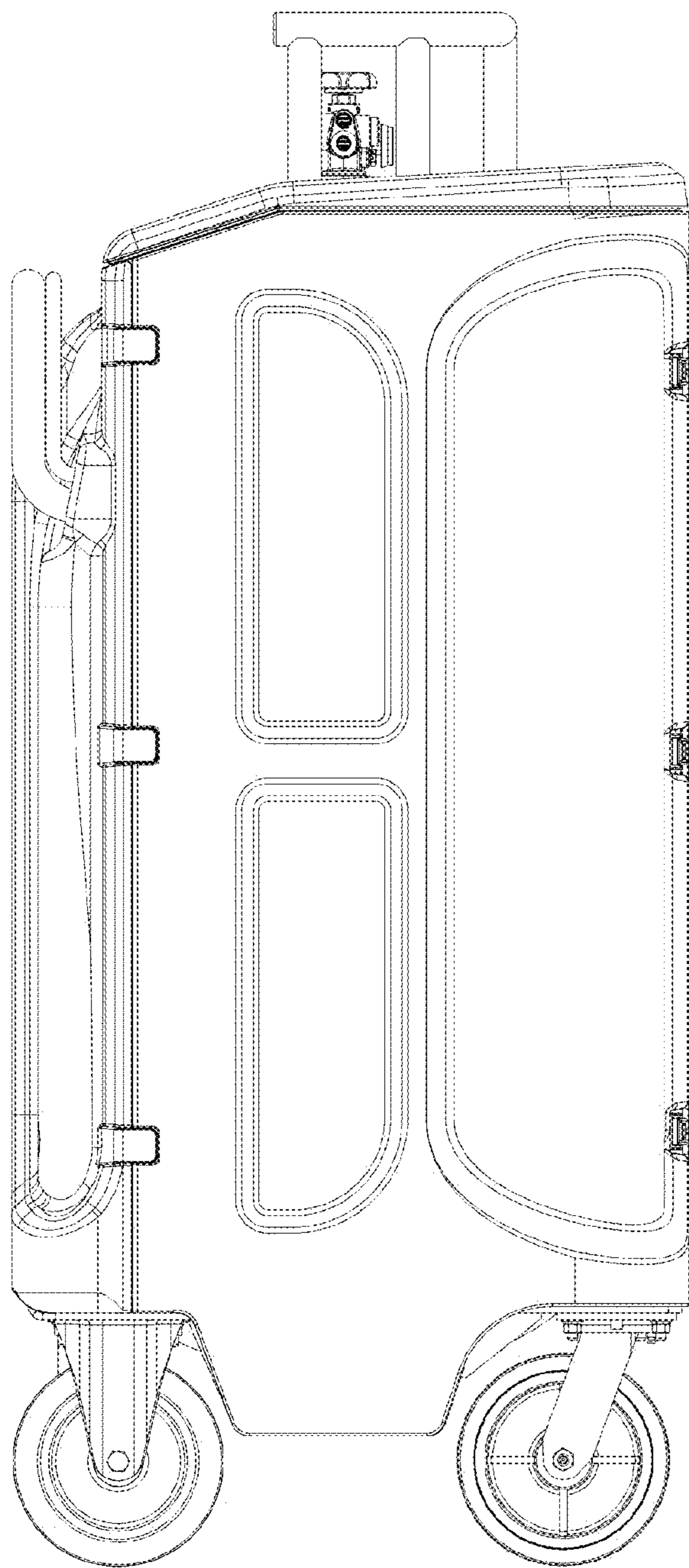


FIG. 3

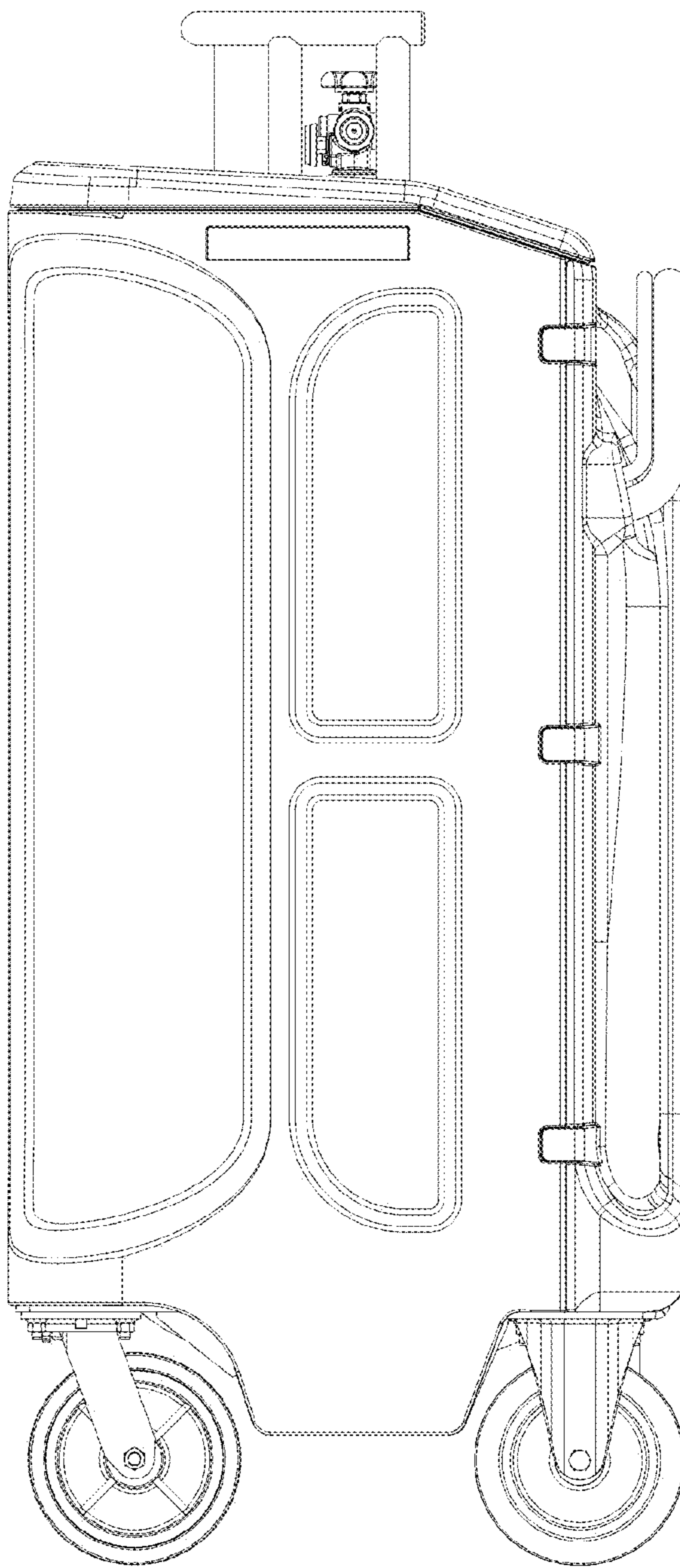


FIG. 4

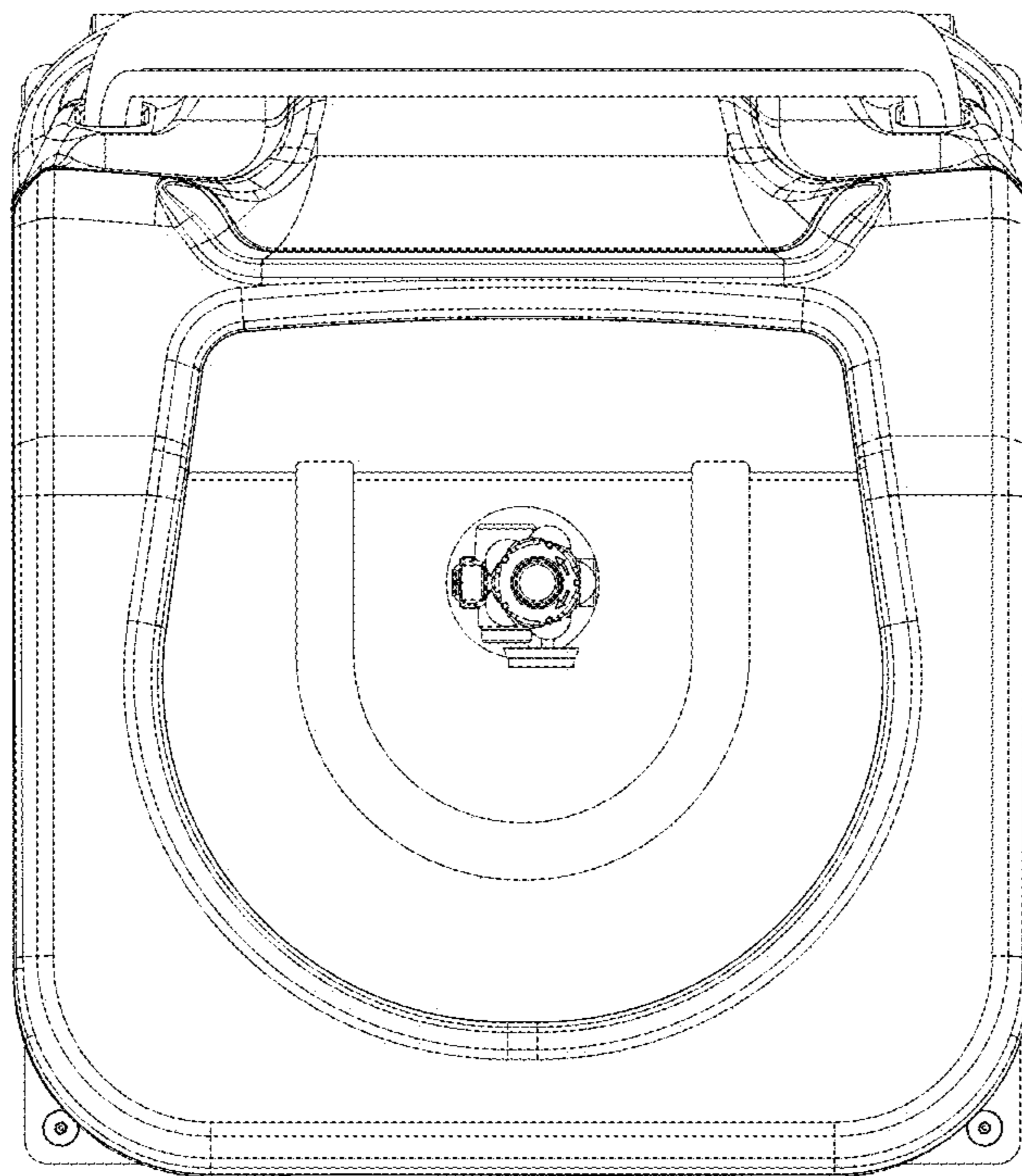


FIG. 5

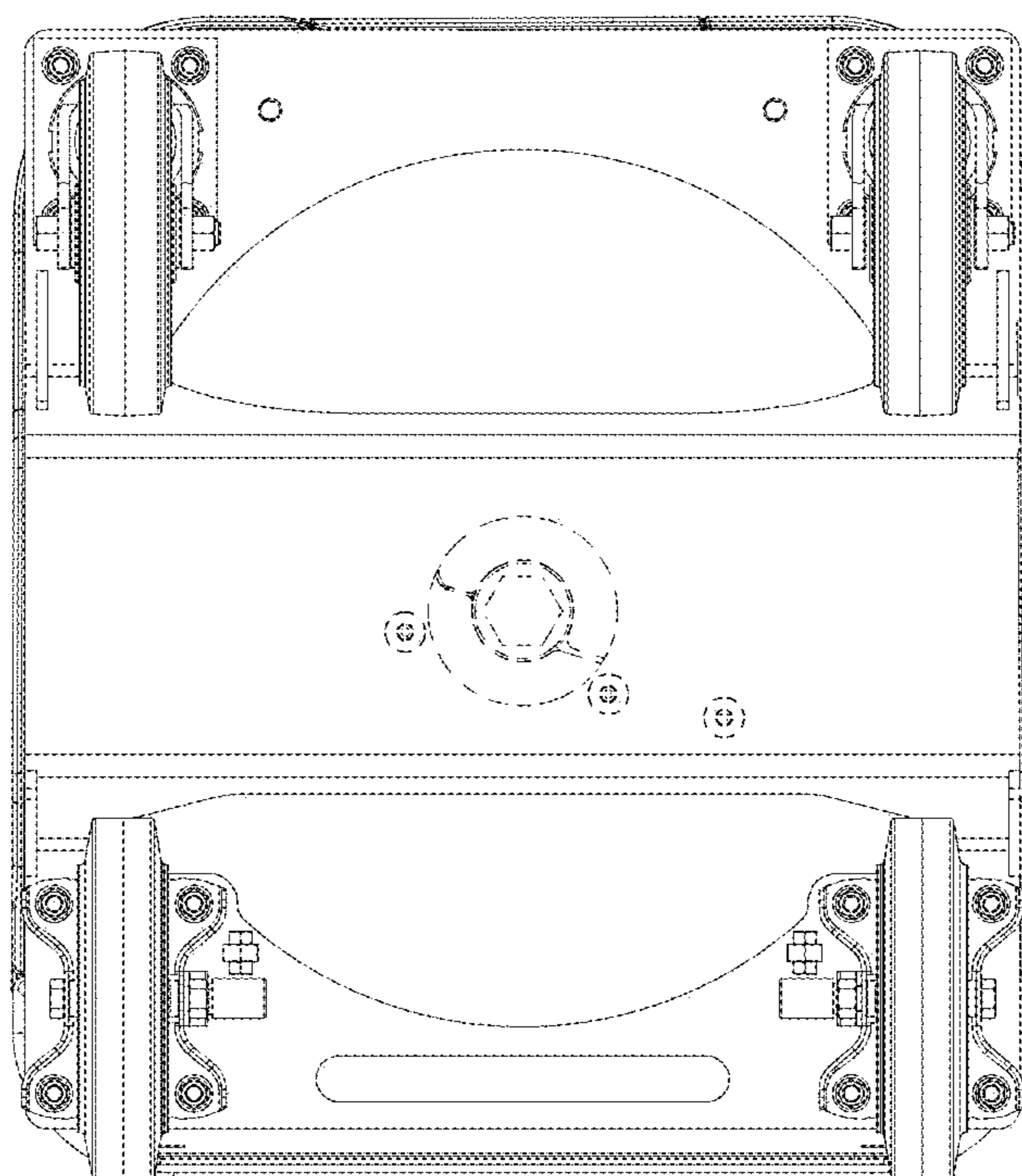


FIG. 6

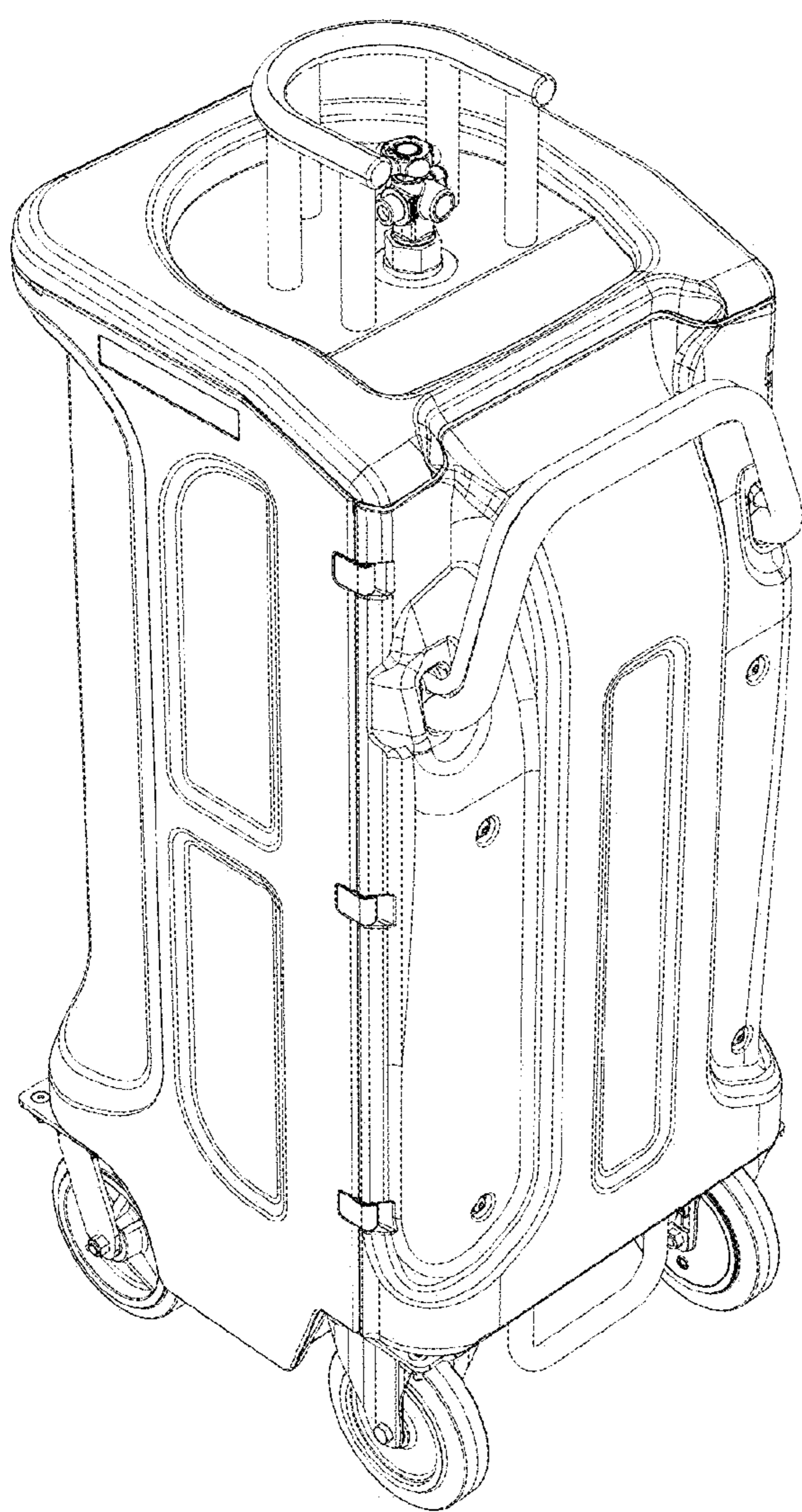


FIG. 7

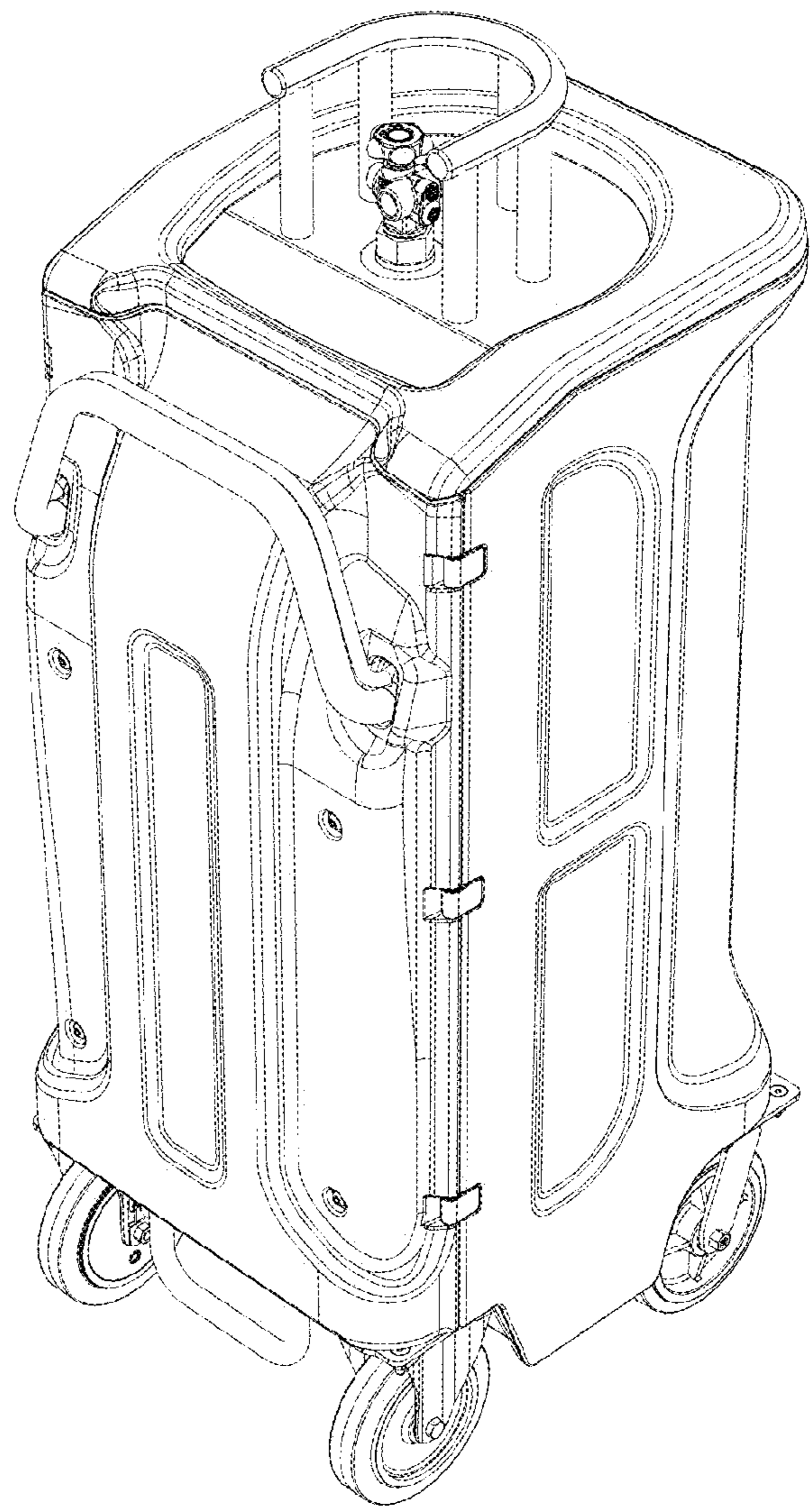


FIG. 8

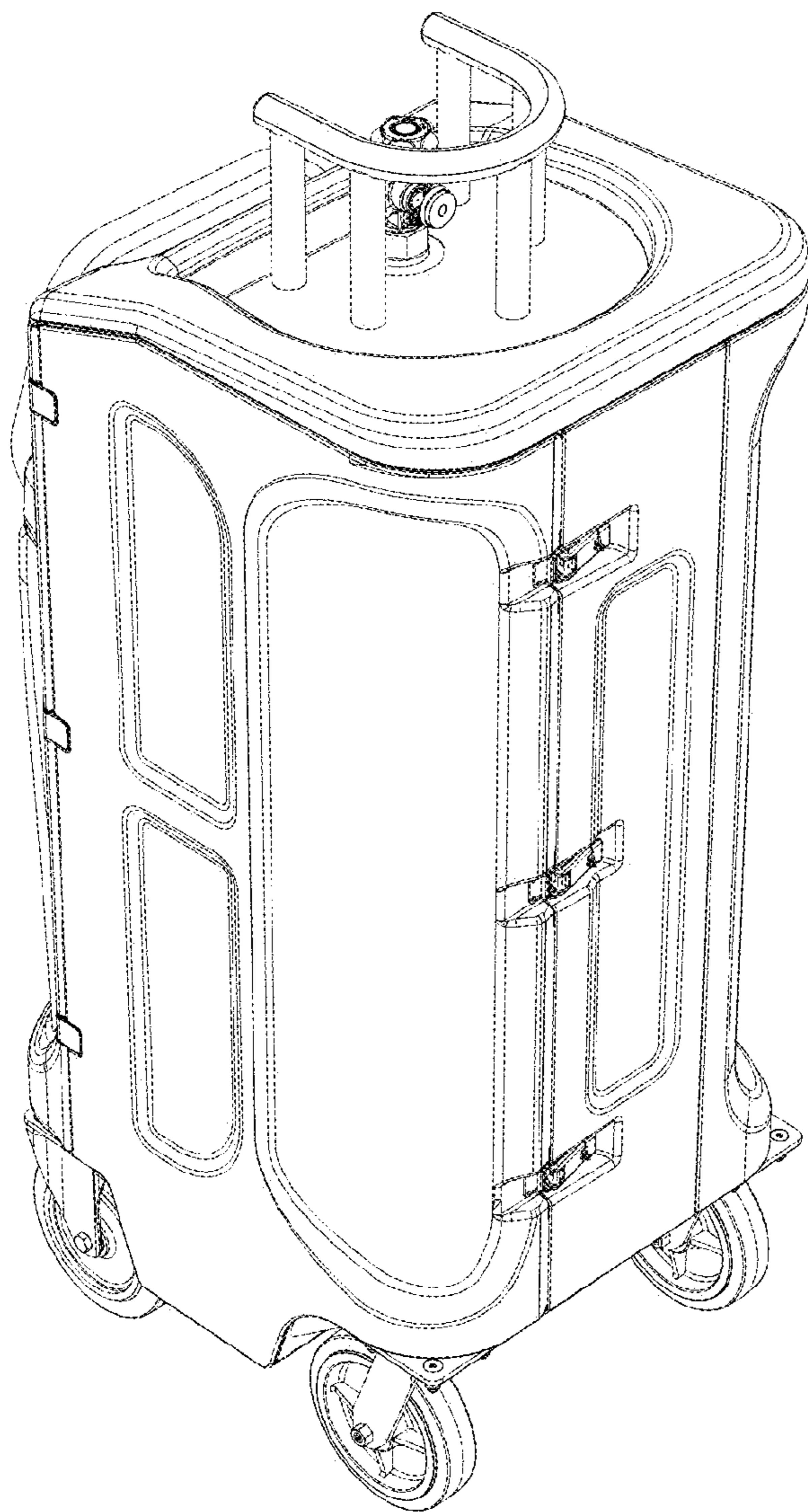


FIG. 9

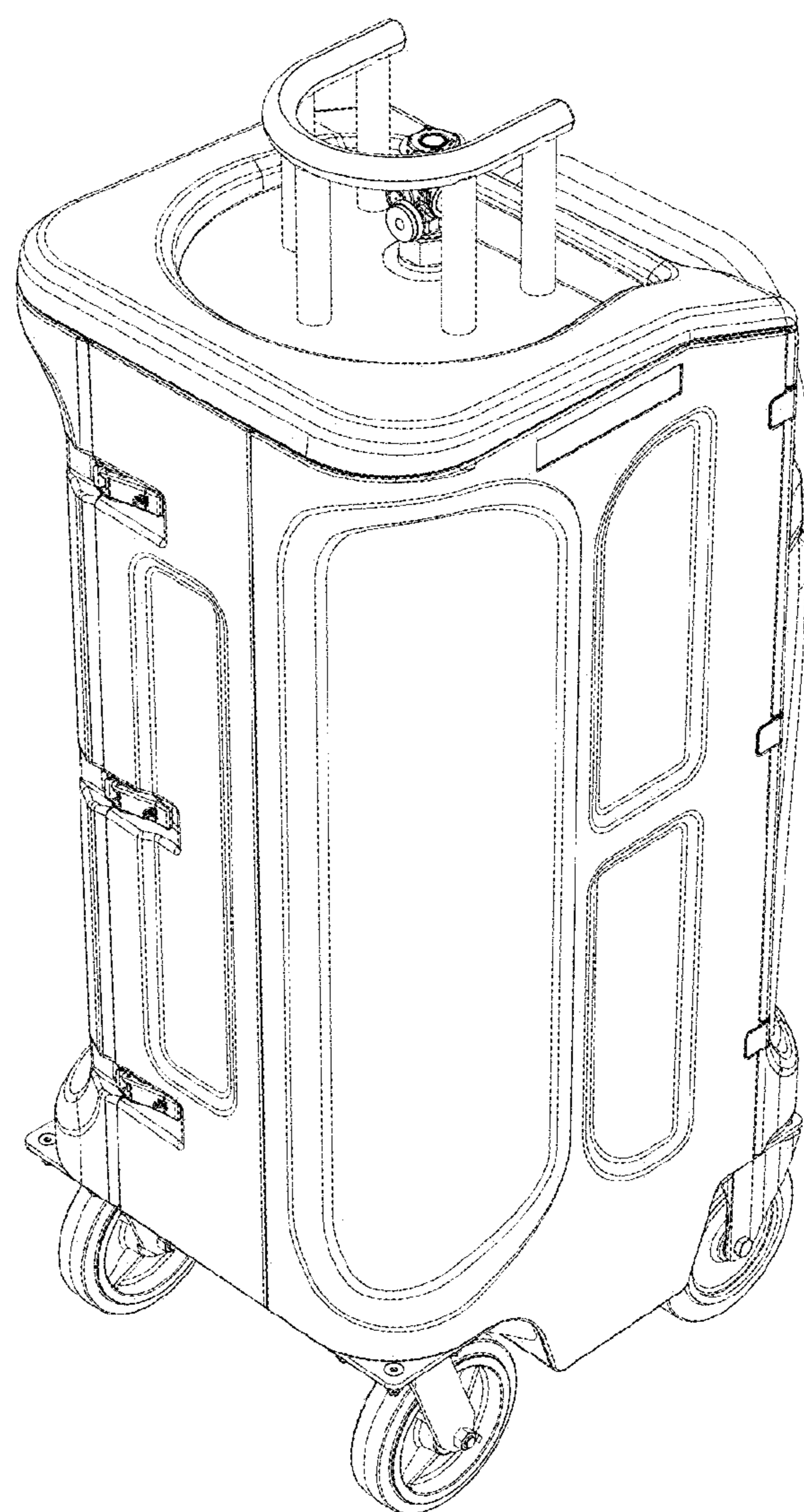


FIG. 10