



US00D898317S

(12) **United States Design Patent**
Hilmerson

(10) **Patent No.:** **US D898,317 S**
(45) **Date of Patent:** **** Oct. 6, 2020**

- (54) **GUARDRAIL CART ASSEMBLY**
- (71) Applicant: **Debra Lee Hilmerson**, Savage, MN
(US)
- (72) Inventor: **Debra Lee Hilmerson**, Savage, MN
(US)
- (**) Term: **15 Years**
- (21) Appl. No.: **29/732,387**
- (22) Filed: **Apr. 23, 2020**

5,018,629 A 5/1991 Lamar
 5,713,584 A 2/1998 Crane
 6,109,390 A 8/2000 Giannopoulos
 (Continued)

OTHER PUBLICATIONS

Garlock Safety-Systems, Trailer Guardrail System, 2020, Grainger website: <https://www.grainger.com/product/GARLOCK-SAFETY-SYSTEMS-Trailer-Guardrail-System-493M95>.
 (Continued)

Primary Examiner — Cynthia Ramirez
 (74) *Attorney, Agent, or Firm* — Fantastic IP Consulting; Eduardo E. Drake

Related U.S. Application Data

- (63) Continuation-in-part of application No. 16/024,418, filed on Jun. 29, 2018, now abandoned, and a continuation of application No. 16/828,904, filed on Mar. 24, 2020, which is a continuation of application No. 16/529,621, filed on Aug. 1, 2019, now Pat. No. 10,597,057, which is a continuation of application No. 16/024,418, filed on Jun. 29, 2018, now abandoned, which is a continuation-in-part of application No. 29/640,861, filed on Mar. 16, 2018.
- (51) **LOC (12) Cl.** **12-02**
- (52) **U.S. Cl.**
USPC **D34/17**
- (58) **Field of Classification Search**
USPC D34/12, 14, 17, 26
CPC .. B62B 1/186; B62B 1/22; B62B 1/24; B62B 1/262; B62B 5/0086; B60K 17/10; E04G 5/004; E04G 5/00
See application file for complete search history.

(57) **CLAIM**

The ornamental design for a guardrail cart assembly, as shown and described.

DESCRIPTION

A portion of this document contains material subject to copyright protection. The copyright owner has no objection to the facsimile reproduction by anyone of the patent document or the patent disclosure, as it appears in the Patent and Trademark Office patent files or records, but otherwise reserves all copyrights whatsoever. The following notice applies to this document: Copyright © 2020, Hilmerson Safety Services, Inc.

FIG. 1 is a perspective view of a rail cart assembly incorporating the claimed design.
 FIG. 2 is front view thereof.
 FIG. 3 is back view thereof.
 FIG. 4 is a left side view thereof.
 FIG. 5 is a right side view thereof.
 FIG. 6 is top view thereof; and,
 FIG. 7 is a bottom view thereof.

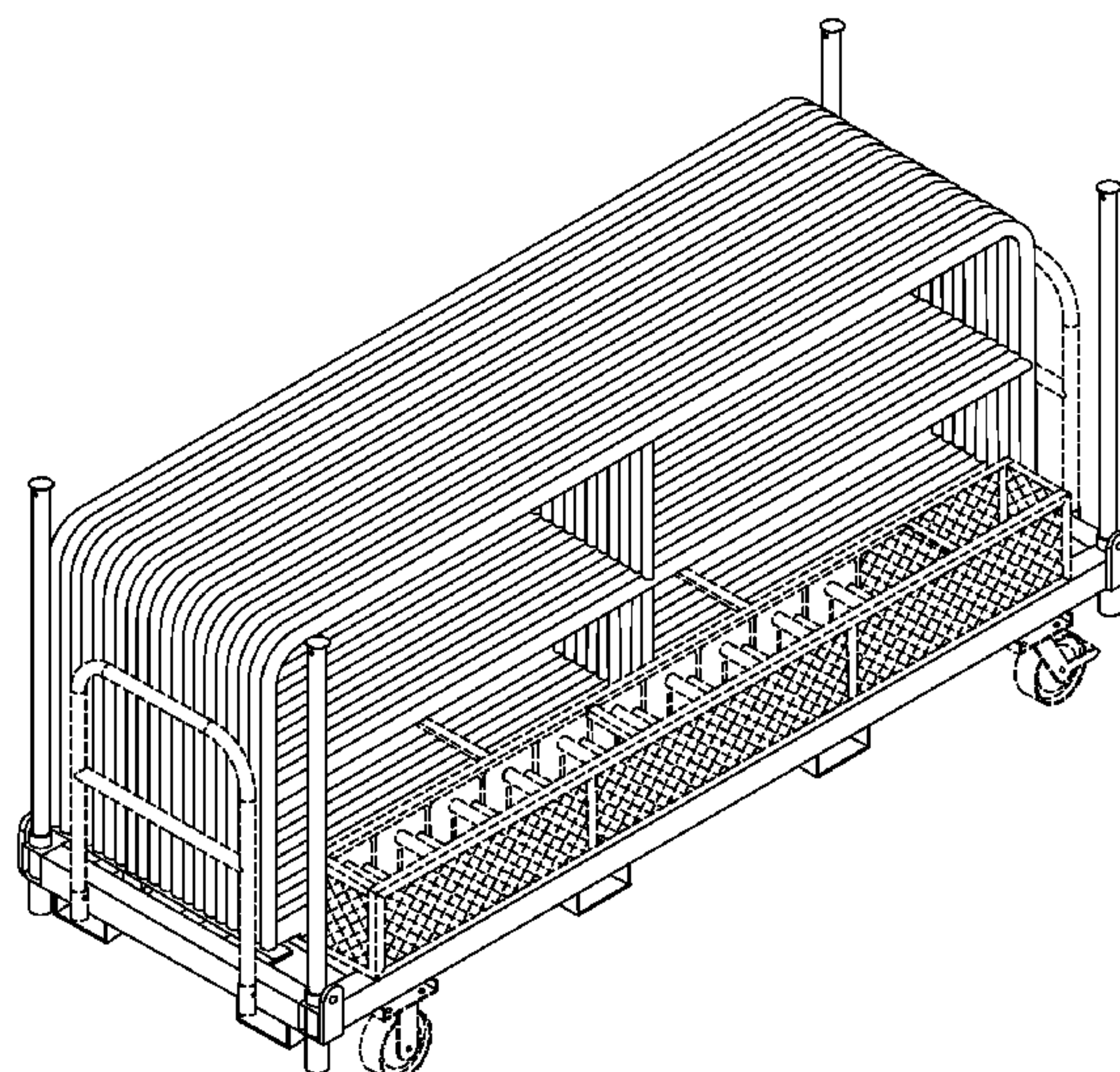
The broken lines in the drawings show portions of the guardrail cart assembly, which form no part of the claimed design.

(56) **References Cited**

U.S. PATENT DOCUMENTS

- D203,585 S * 2/1966 Triggs D34/17
- 3,479,010 A 11/1969 Harmon
- 4,901,650 A 2/1990 Armstead
- 4,952,114 A 8/1990 Langer
- D313,099 S * 12/1990 Tasley D34/12

1 Claim, 7 Drawing Sheets



(56)

References Cited

U.S. PATENT DOCUMENTS

D439,719 S * 3/2001 Kleinschmidt D34/12
 6,669,213 B2 12/2003 Woerner
 6,691,826 B1 2/2004 Dean
 6,955,384 B1 10/2005 Good
 7,392,993 B1 7/2008 Prohl
 7,878,338 B2 2/2011 Maxson
 8,342,544 B1 * 1/2013 Blewett B62B 3/022
 211/189
 D747,586 S * 1/2016 Ludchen D34/17
 9,826,710 B1 11/2017 McNew
 D810,379 S * 2/2018 Sarian D34/17
 D810,381 S * 2/2018 Prichard D34/28
 9,969,416 B2 5/2018 Tarrant
 D826,507 S * 8/2018 Wernberg D34/12
 10,160,467 B2 12/2018 Josephsen
 D842,575 S * 3/2019 Yu D34/12
 D855,921 S * 8/2019 Yu B62B 3/022
 D34/12
 10,464,750 B2 11/2019 Pruskauer

10,507,992 B2 12/2019 Tackett
 10,597,057 B1 * 3/2020 Hilmerson E04G 5/001
 2001/0045718 A1 * 11/2001 Boirum E04G 5/00
 280/47.26
 2014/0084036 A1 * 3/2014 Hemann B62B 5/00
 224/411
 2018/0154916 A1 * 6/2018 Yu B62B 3/04
 2019/0301431 A1 * 10/2019 Uyunuk B62B 5/0086

OTHER PUBLICATIONS

Garlock Safety Systems, Speedguard II Flatbed Fall Protection, Apr. 10, 2017; <https://web.archive.org/web/20170703010948/http://www.garlocksafety.com:80/speedguard-ii>.
 Staging Concepts, Production & Rental Catalog, Copyright 2013, p. 15
 Staging Concepts, Guardrail Cart, Copyright Unlisted, Minneapolis, Minnesota, USA <https://www.stagingconcepts.com/products/storagetransport-carts/guardrail-cart/>.

* cited by examiner

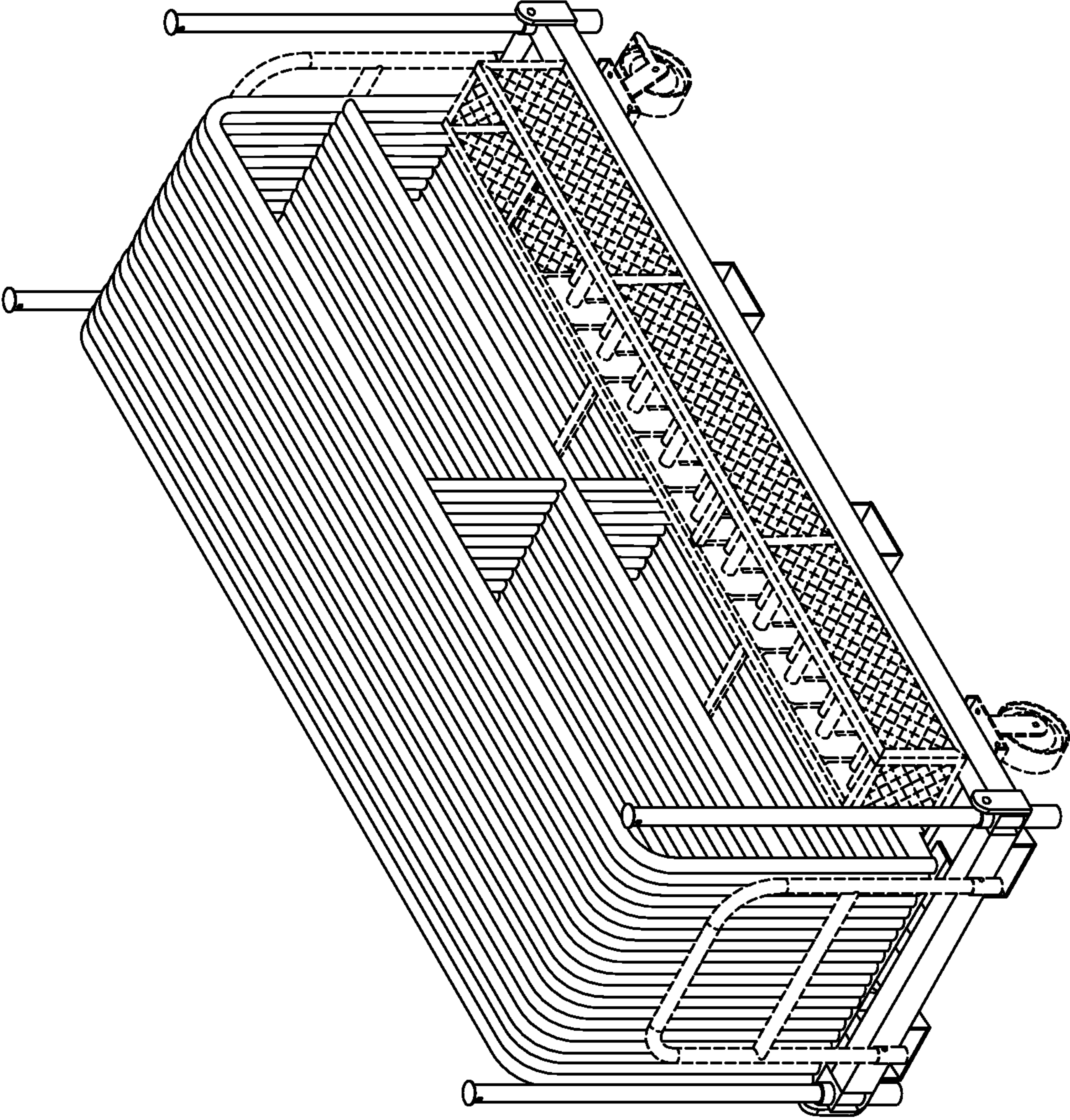


Fig. 1

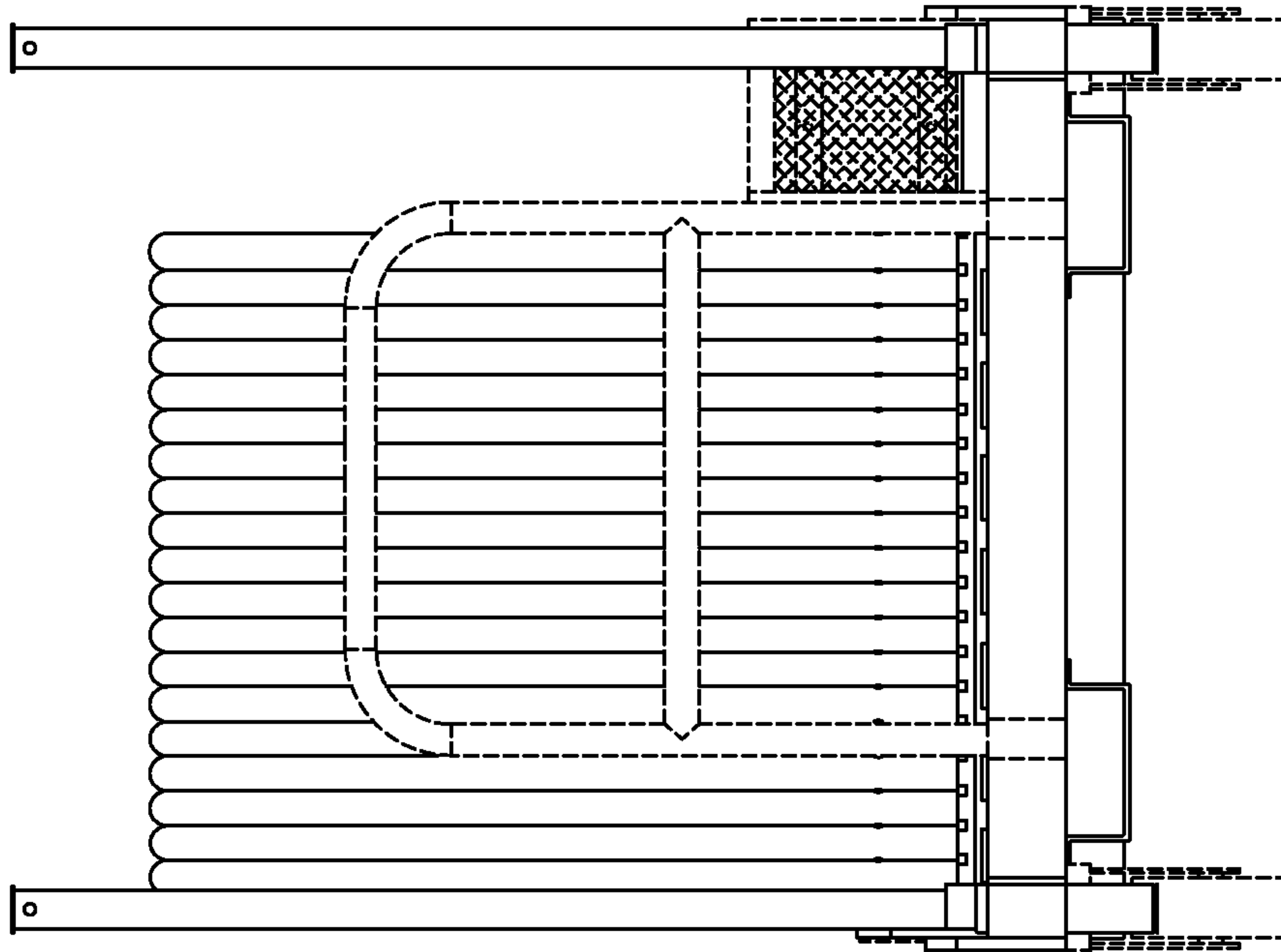


Fig. 2

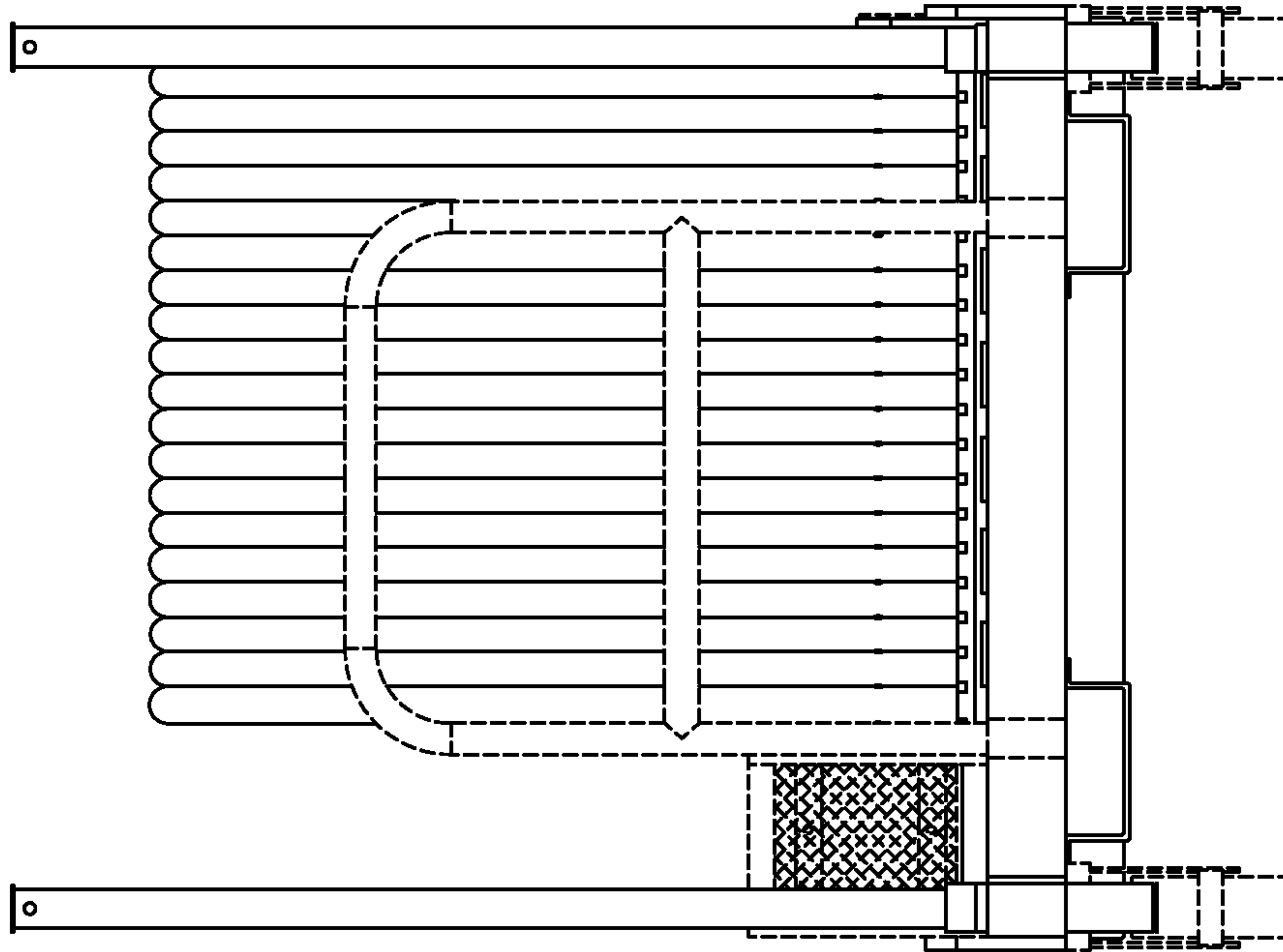


Fig. 3

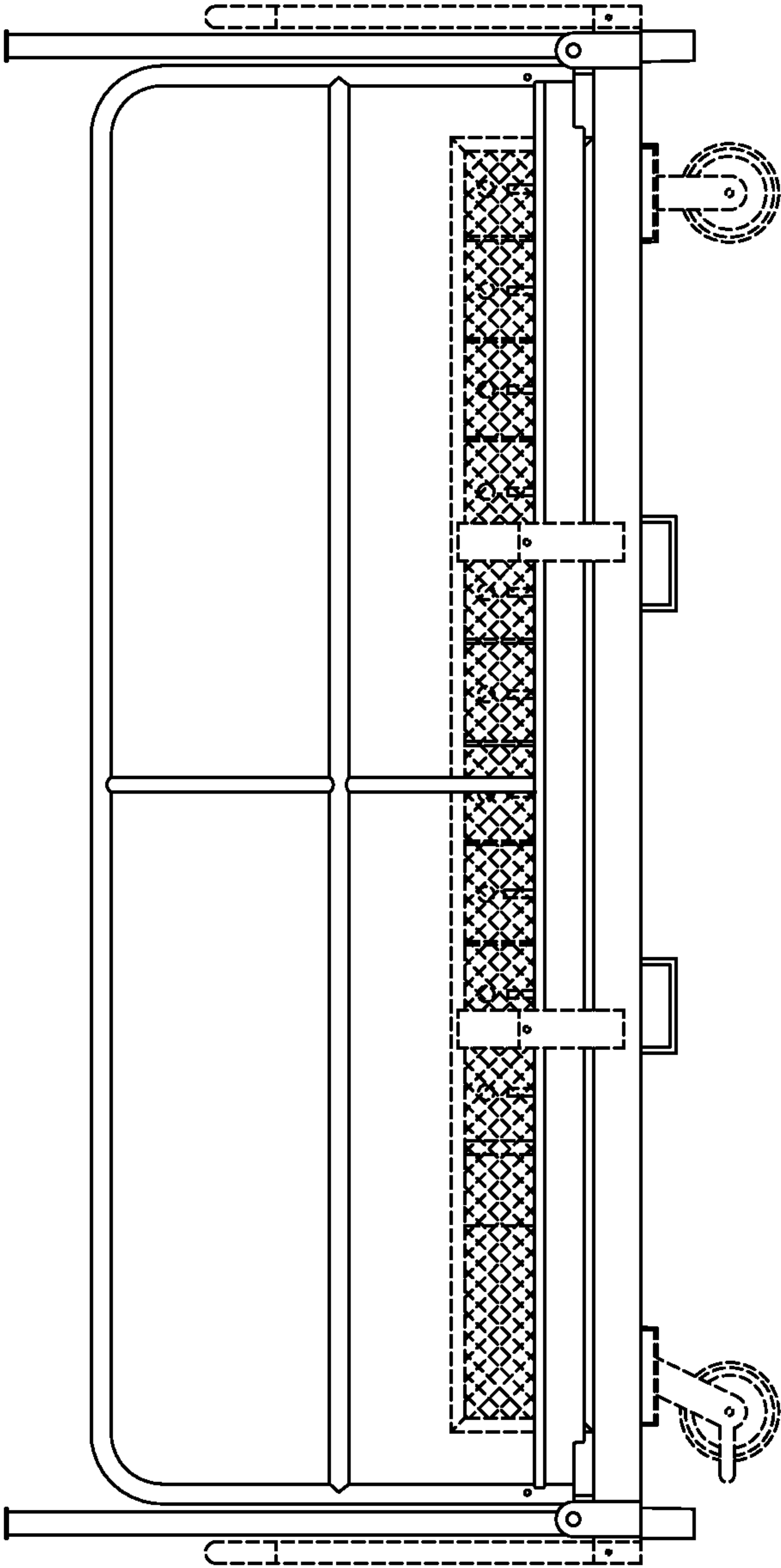


Fig. 4

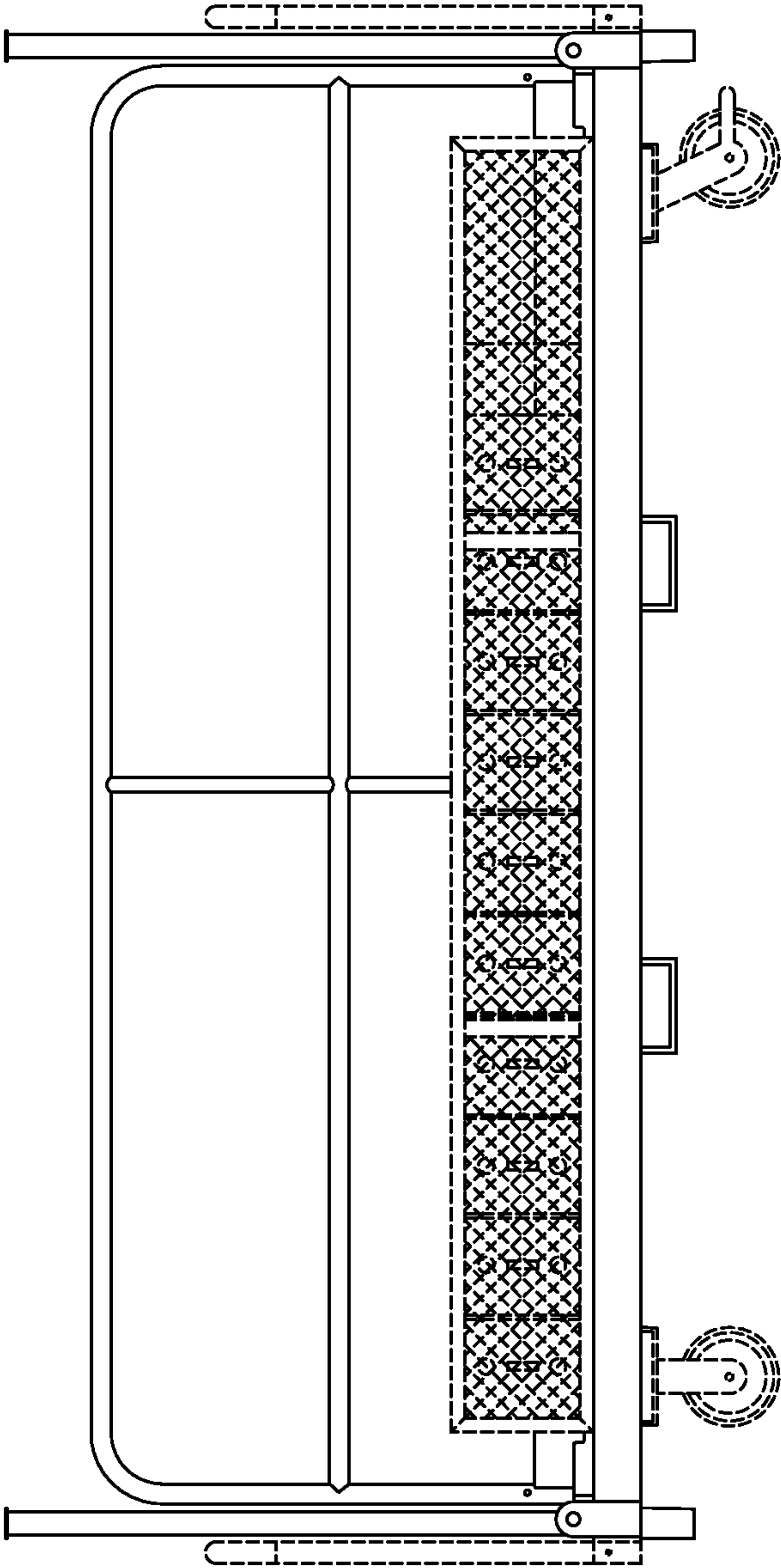


Fig. 5

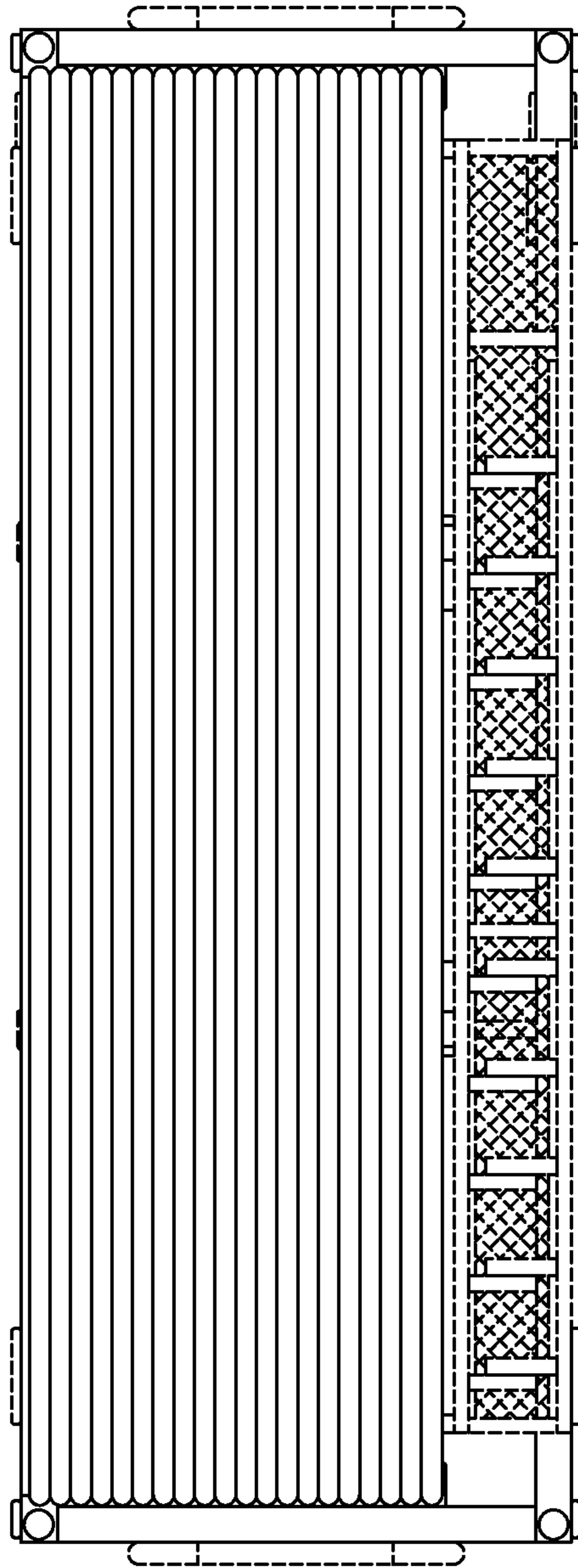


Fig. 6

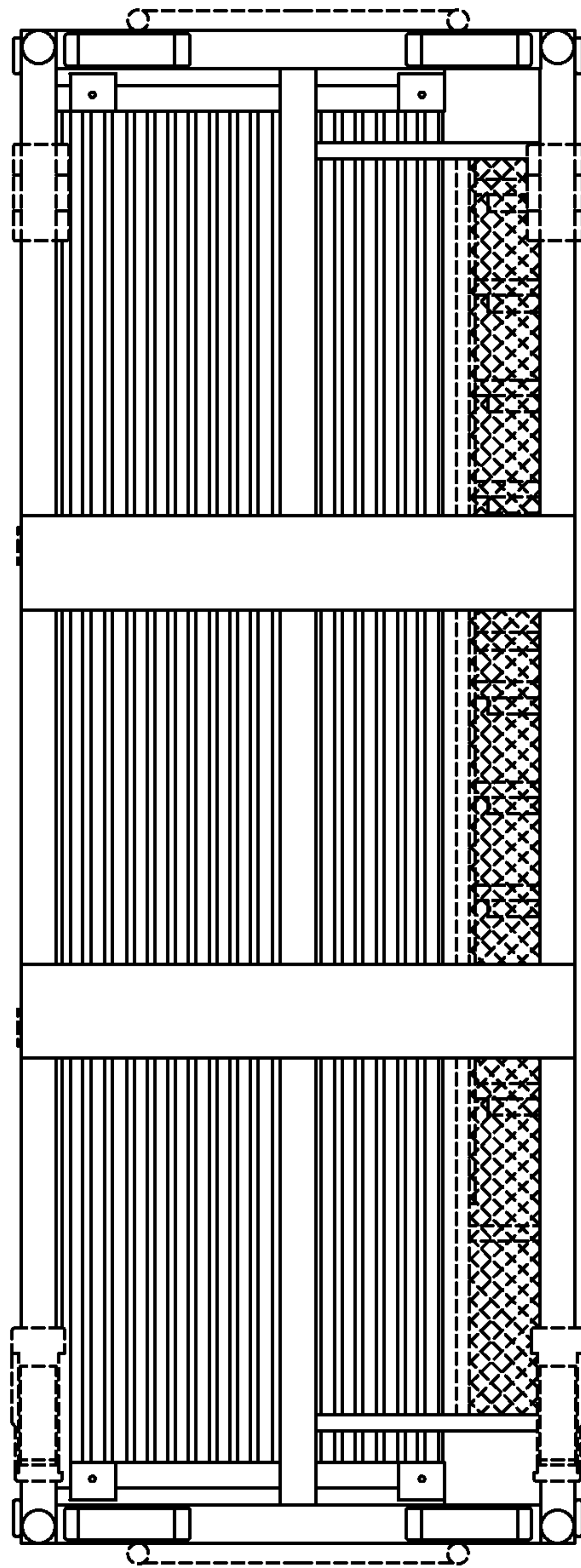


Fig. 7