



US00D898316S

(12) **United States Design Patent**  
**Higginbotham**

(10) **Patent No.:** **US D898,316 S**

(45) **Date of Patent:** **\*\* Oct. 6, 2020**

(54) **PLANTER WAGON**  
(71) Applicant: **Benny Higginbotham**, Covington, GA  
(US)  
(72) Inventor: **Benny Higginbotham**, Covington, GA  
(US)

6,962,370 B2 \* 11/2005 Simpson ..... B62D 63/061  
280/47.34  
8,091,916 B2 \* 1/2012 Shapiro ..... B62B 3/007  
280/47.34  
D672,521 S \* 12/2012 Cooper ..... D34/16  
D751,263 S \* 3/2016 Hiestand ..... D34/16  
D763,532 S \* 8/2016 Huang ..... D34/12  
10,071,757 B1 \* 9/2018 Cheatham ..... B60R 9/055

(\*\*) Term: **15 Years**

\* cited by examiner

(21) Appl. No.: **29/659,739**

*Primary Examiner* — Gino Colan

(22) Filed: **Aug. 10, 2018**

(74) *Attorney, Agent, or Firm* — Furr Law Firm; Jeffrey Furr, Esq.

(51) **LOC (12) Cl.** ..... **12-02**

(52) **U.S. Cl.**  
USPC ..... **D34/16**

(57) **CLAIM**

The ornamental design for a planter wagon, as shown and described.

(58) **Field of Classification Search**  
USPC ..... D34/12-27; 280/47.24, 651, 47.19,  
280/47.35, 655, 47.34, 47.315, 47.17,  
280/47.371, 204, 656, 30, 769  
CPC .... B62B 1/20; B62B 1/24; B62B 3/02; B62L  
31/20

**DESCRIPTION**

See application file for complete search history.

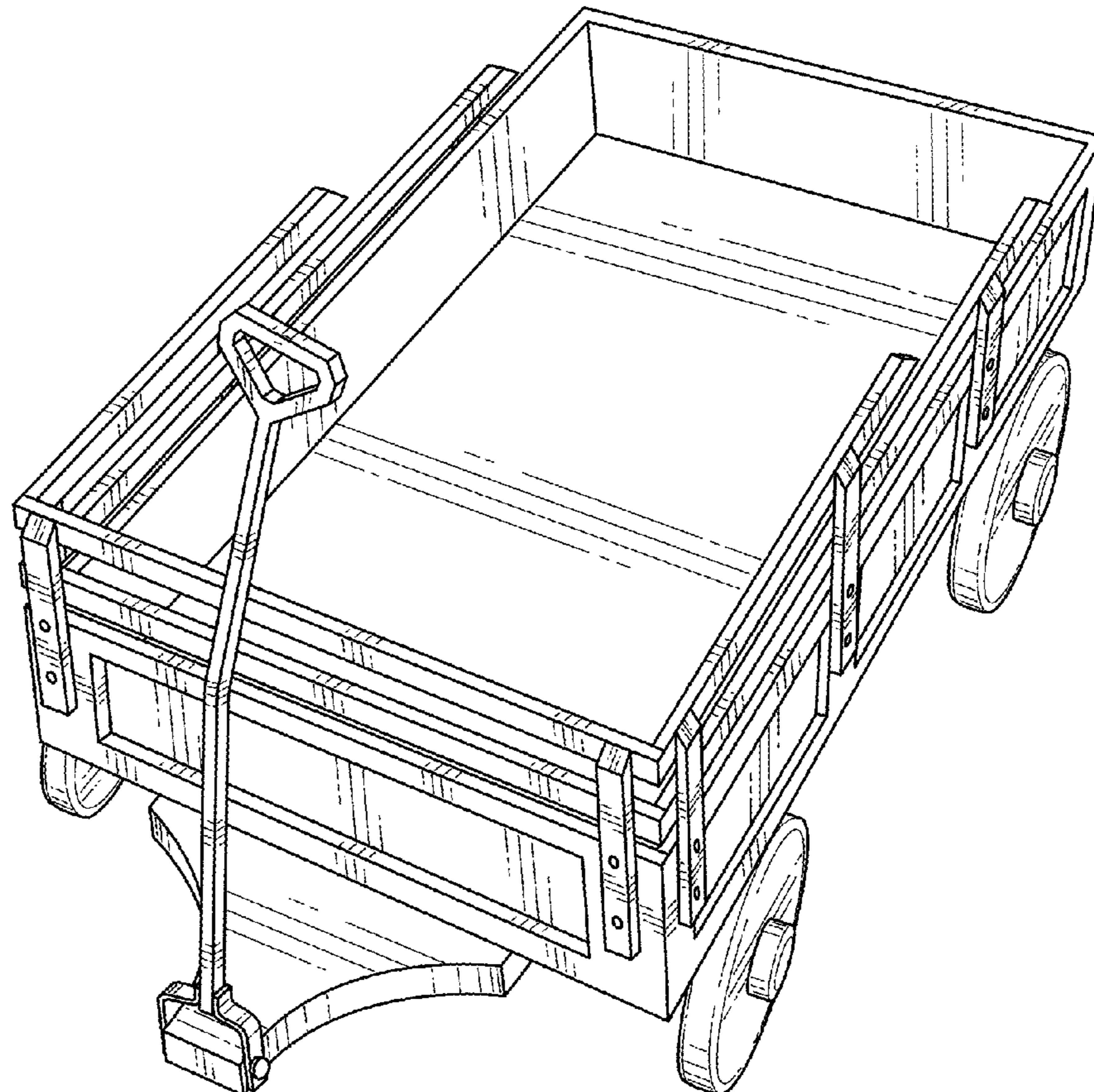
FIG. 1 is a perspective view of a planter wagon showing my new design;  
FIG. 2 is a rear view thereof;  
FIG. 3 is a front view thereof;  
FIG. 4 is a right side view thereof;  
FIG. 5 is a left side view thereof;  
FIG. 6 is a top plan view thereof; and,  
FIG. 7 is a bottom plan view thereof.  
The left and right sides are mirror images of each other.

(56) **References Cited**

**U.S. PATENT DOCUMENTS**

4,856,810 A \* 8/1989 Smith ..... B62B 3/02  
280/639  
5,833,251 A \* 11/1998 Peck ..... B62B 3/001  
280/87.01

**1 Claim, 7 Drawing Sheets**



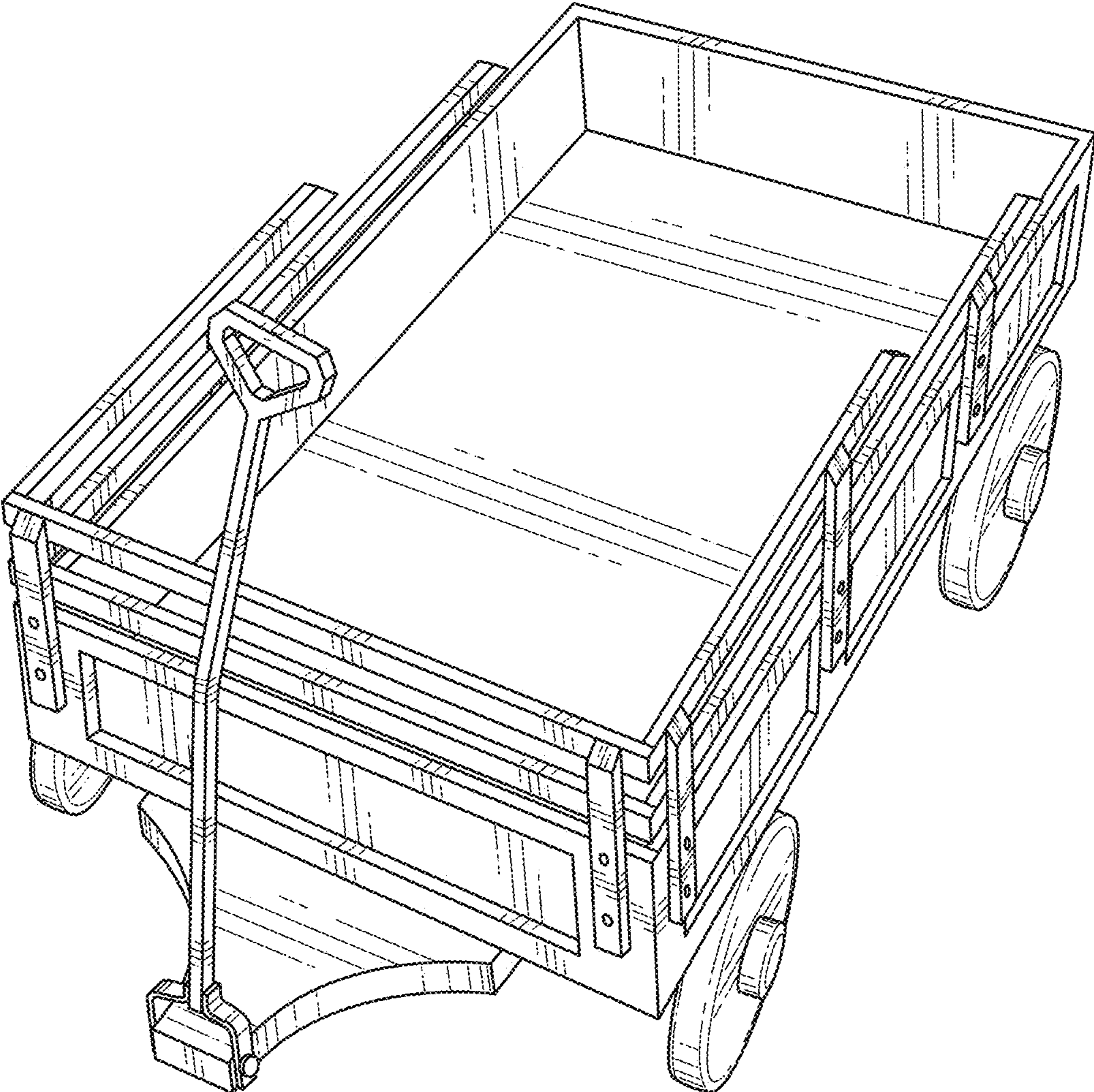


FIG. 1

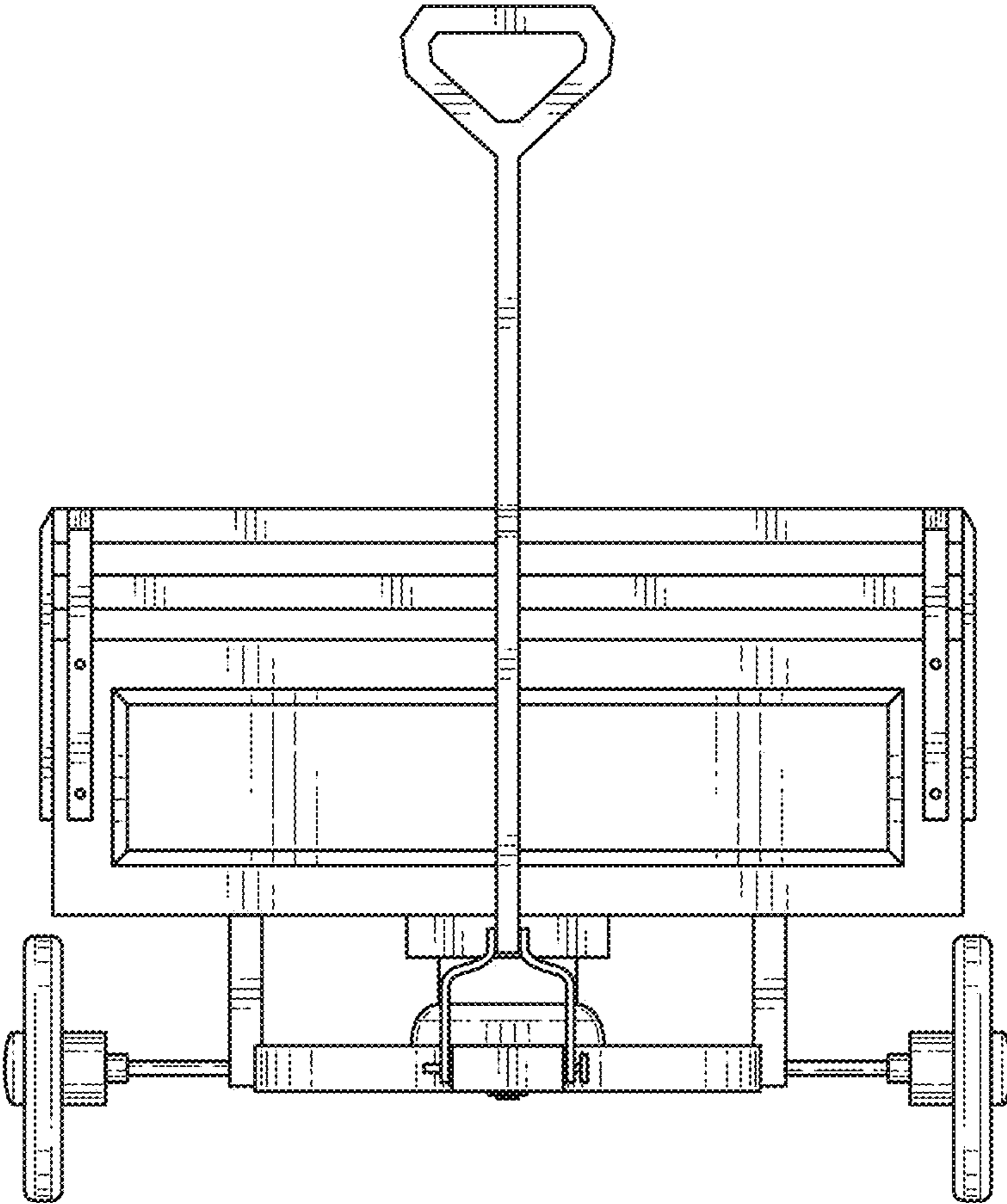


FIG. 2

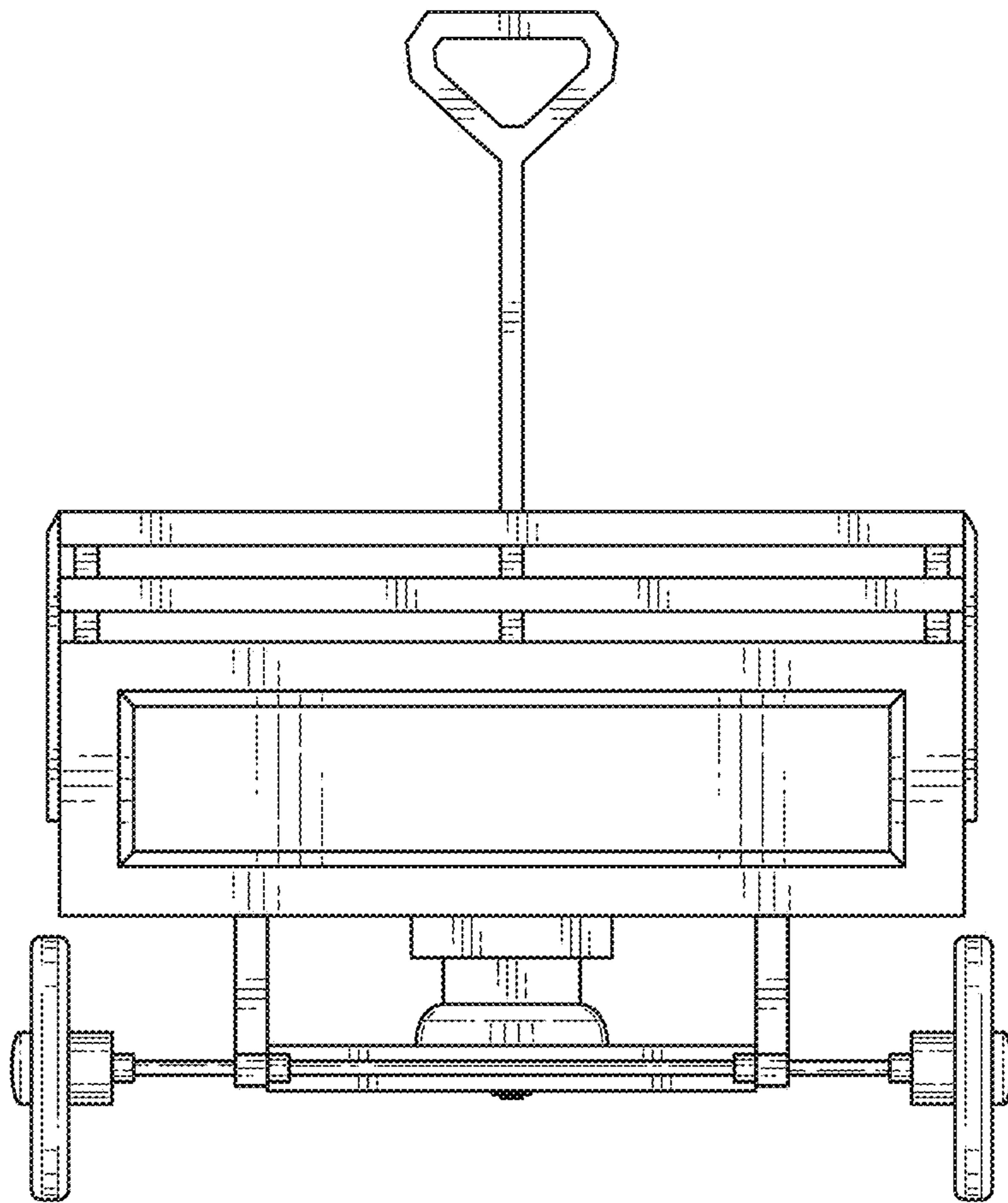


FIG. 3

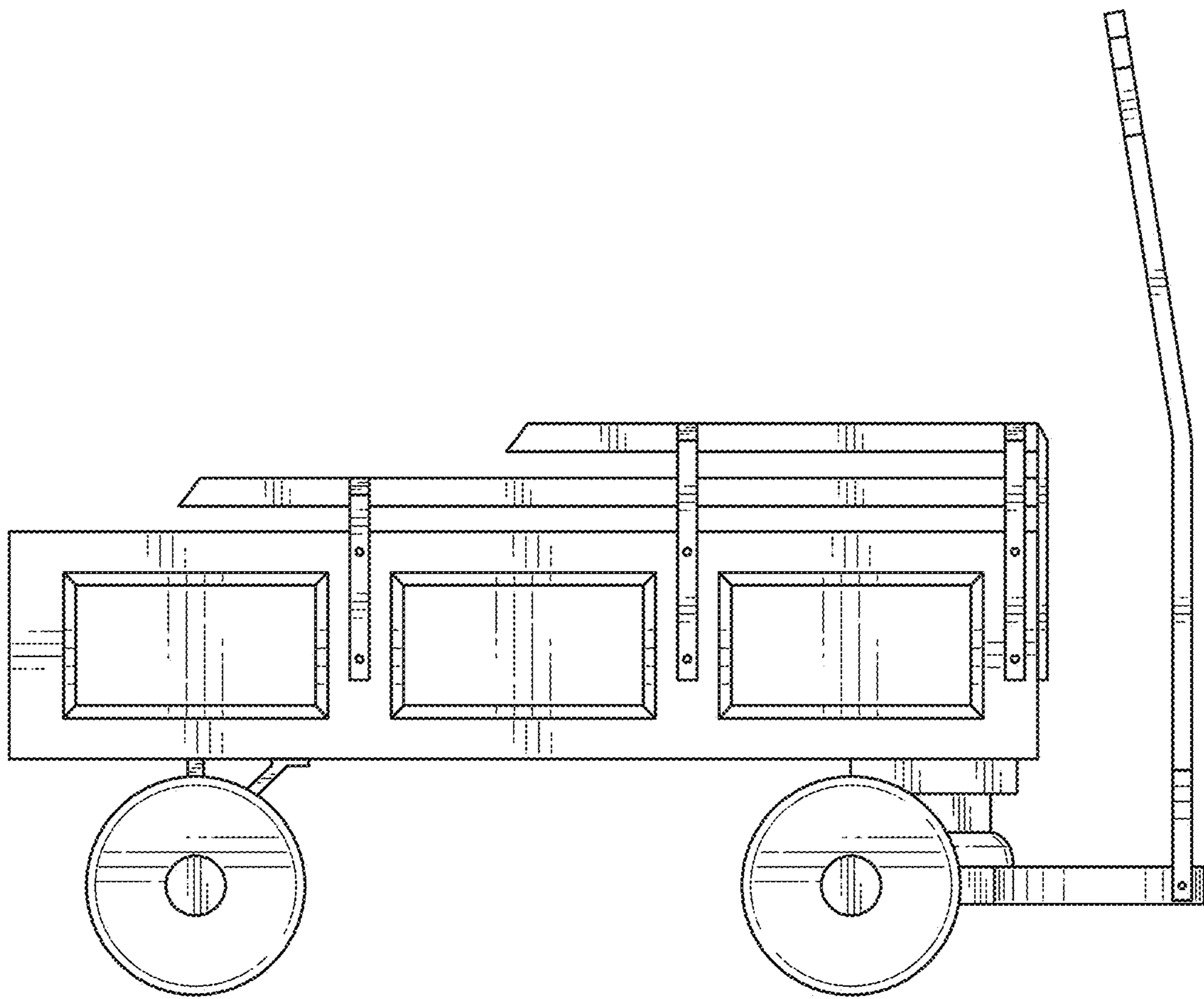


FIG. 4

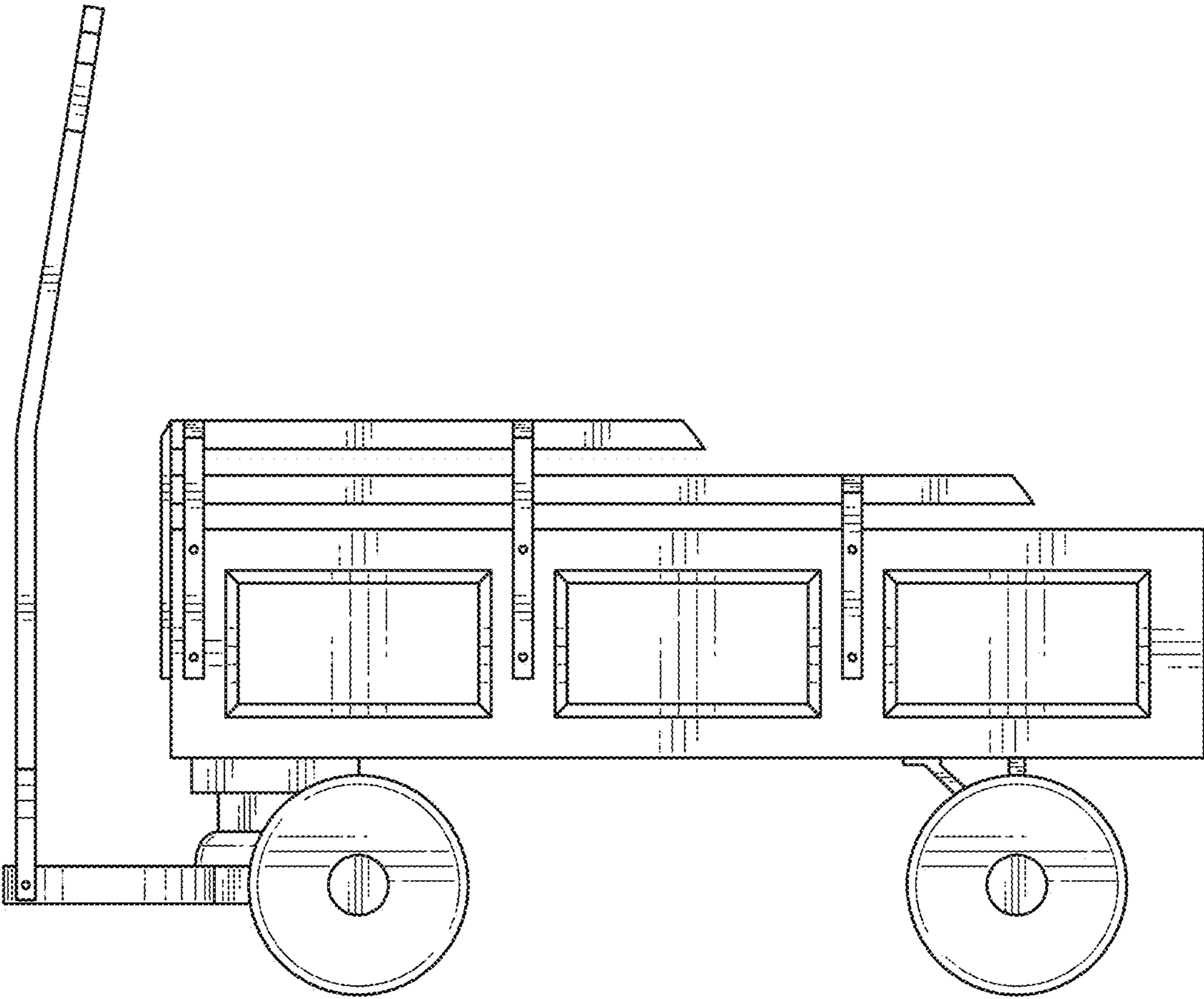


FIG. 5

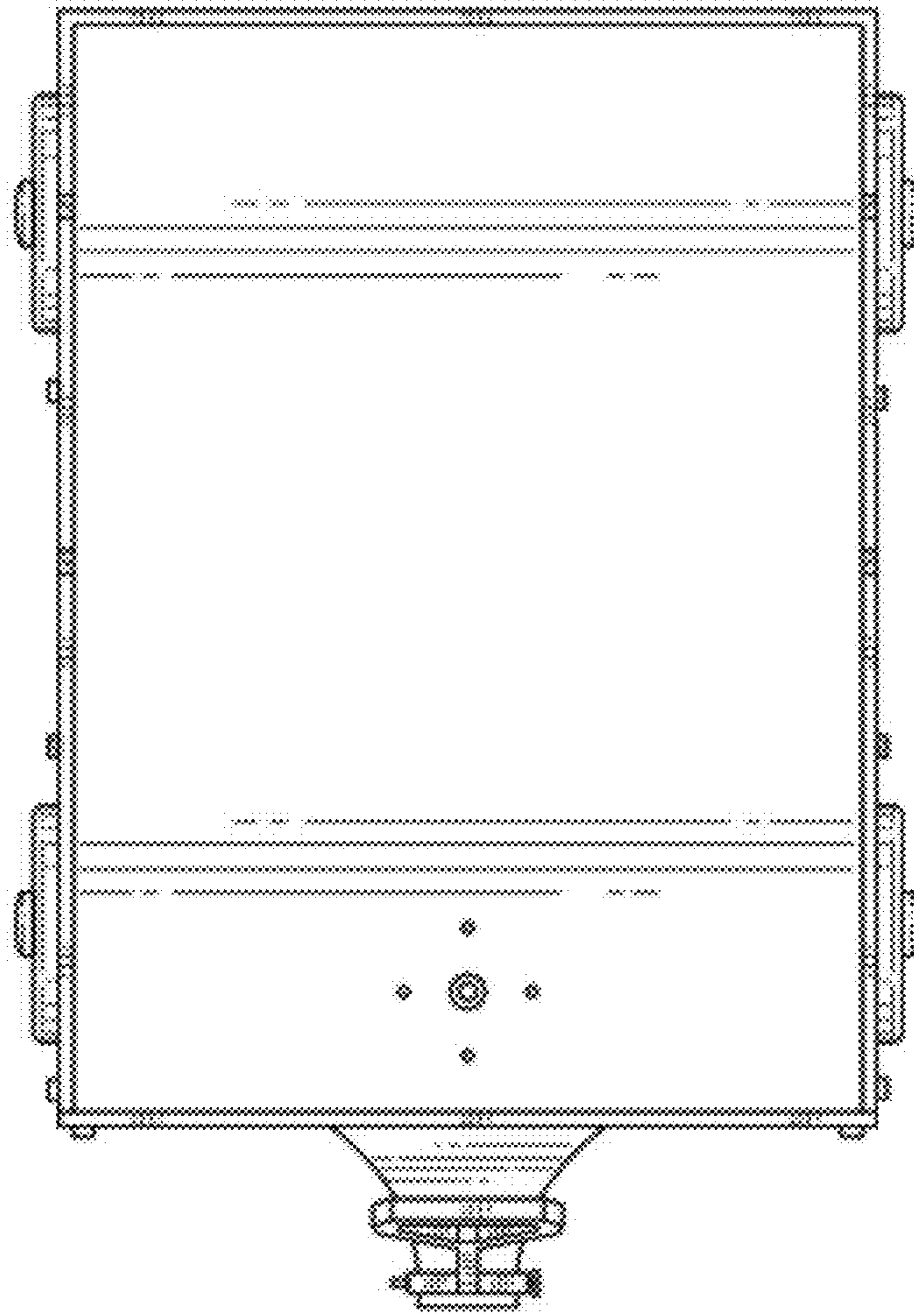


FIG. 6

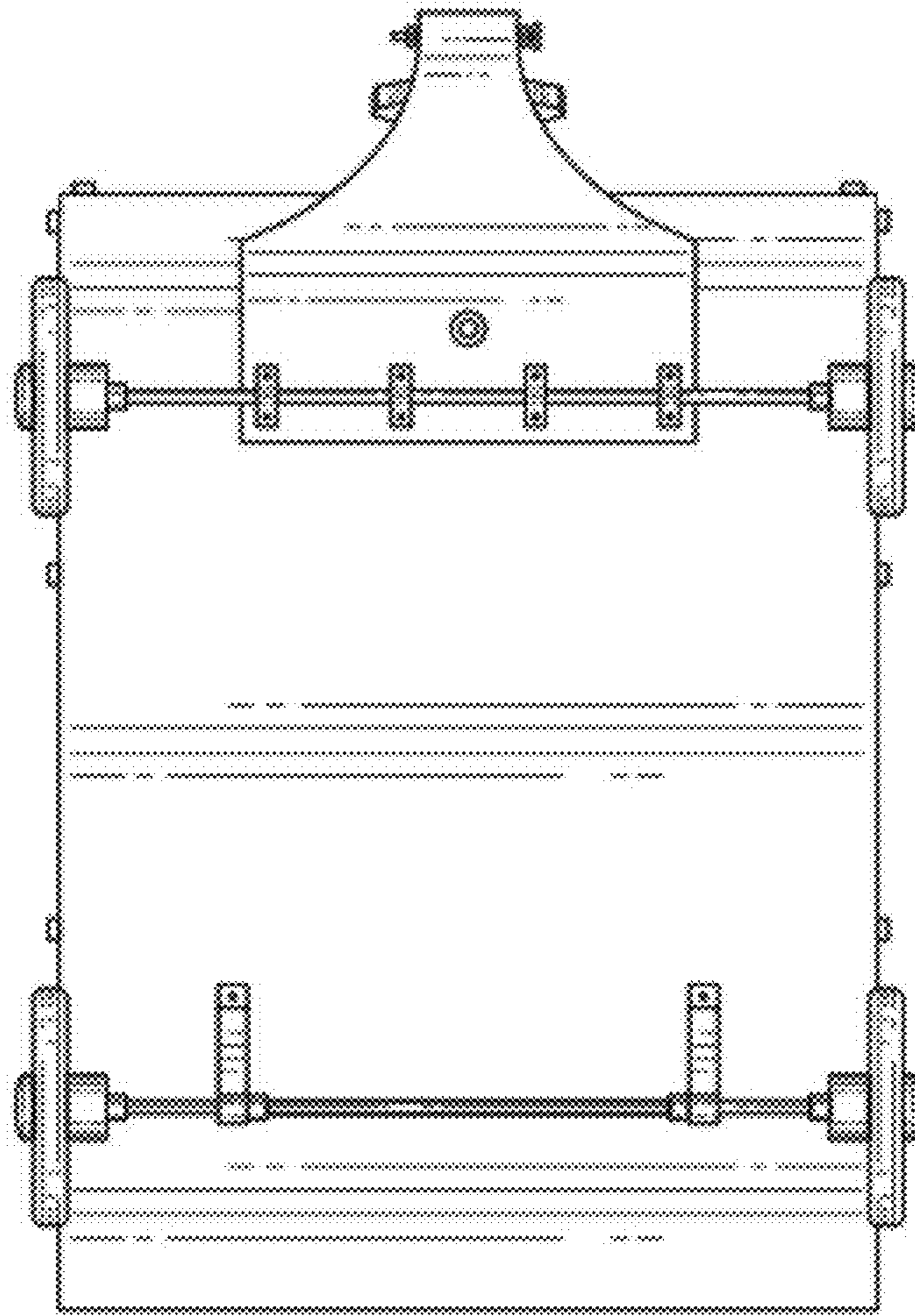


FIG. 7