



US00D898315S

(12) **United States Design Patent** (10) **Patent No.:** **US D898,315 S**  
**Wernberg et al.** (45) **Date of Patent:** **\*\* Oct. 6, 2020**

(54) **STEEL CART SIDE PANEL**

(71) Applicant: **Tricam Industries, Inc.**, Eden Prairie, MN (US)

(72) Inventors: **Benjamin M. Wernberg**, Savage, MN (US); **Joseph P. Foley**, St. Paul, MN (US); **Benjamin P. Williams**, Chaska, MN (US)

(73) Assignee: **Tricam Industries, Inc.**, Eden Prairie, MN (US)

(\*\*) Term: **15 Years**

(21) Appl. No.: **29/674,472**

(22) Filed: **Dec. 21, 2018**

(51) **LOC (12) Cl.** ..... **12-02**

(52) **U.S. Cl.**  
USPC ..... **D34/12**

(58) **Field of Classification Search**  
USPC ..... D34/12, 13, 14, 15, 16, 17, 18, 19, 20, D34/23, 24, 25, 26, 27, 28, 33, 34  
CPC ..... B60P 1/00  
See application file for complete search history.

(56) **References Cited**

**U.S. PATENT DOCUMENTS**

4,647,101	A *	3/1987	Ruggeri	.....	B61D 17/045
					296/10
D345,130	S *	3/1994	Schattner	.....	D12/133
D738,436	S *	9/2015	Cummings	.....	D21/425
2004/0164512	A1 *	8/2004	Gunter	.....	B62B 3/001
					280/87.021
2009/0232633	A1 *	9/2009	Stamps	.....	B62B 3/02
					414/814

**OTHER PUBLICATIONS**

Steel wagon cart gor-2345, announced 2020 [online], [site visited Mar. 5, 2020]. Available from internet, URL: <https://gorillacarts.com/product/gor-2345/> (Year: 2020).\*

Steel wagon gor800com, announced 2020 [online], [site visited Mar. 5, 2020]. Available from internet, URL: <https://www.sears.com/gorilla-carts-gor800com-800-lb-capacity-steel-utility/p-SPM14713438528> (Year: 2020).\*

NT Steel cart, announced 2020 [online], [site visited Mar. 5, 2020]. Available from internet, URL: [https://www.northerntool.com/shop/tools/product\\_200640327\\_200640327](https://www.northerntool.com/shop/tools/product_200640327_200640327) (Year: 2020).\*

\* cited by examiner

*Primary Examiner* — George A Bugg

*Assistant Examiner* — Tamara L Hahn

(74) *Attorney, Agent, or Firm* — Patterson Thuent Pedersen, P.A.

(57) **CLAIM**

We claim the ornamental design for a steel cart side panel, as shown and described.

**DESCRIPTION**

FIG. 1 is a perspective view of a cart showing our new design;

FIG. 2 is a front elevational view thereof;

FIG. 3 is a rear elevational view thereof;

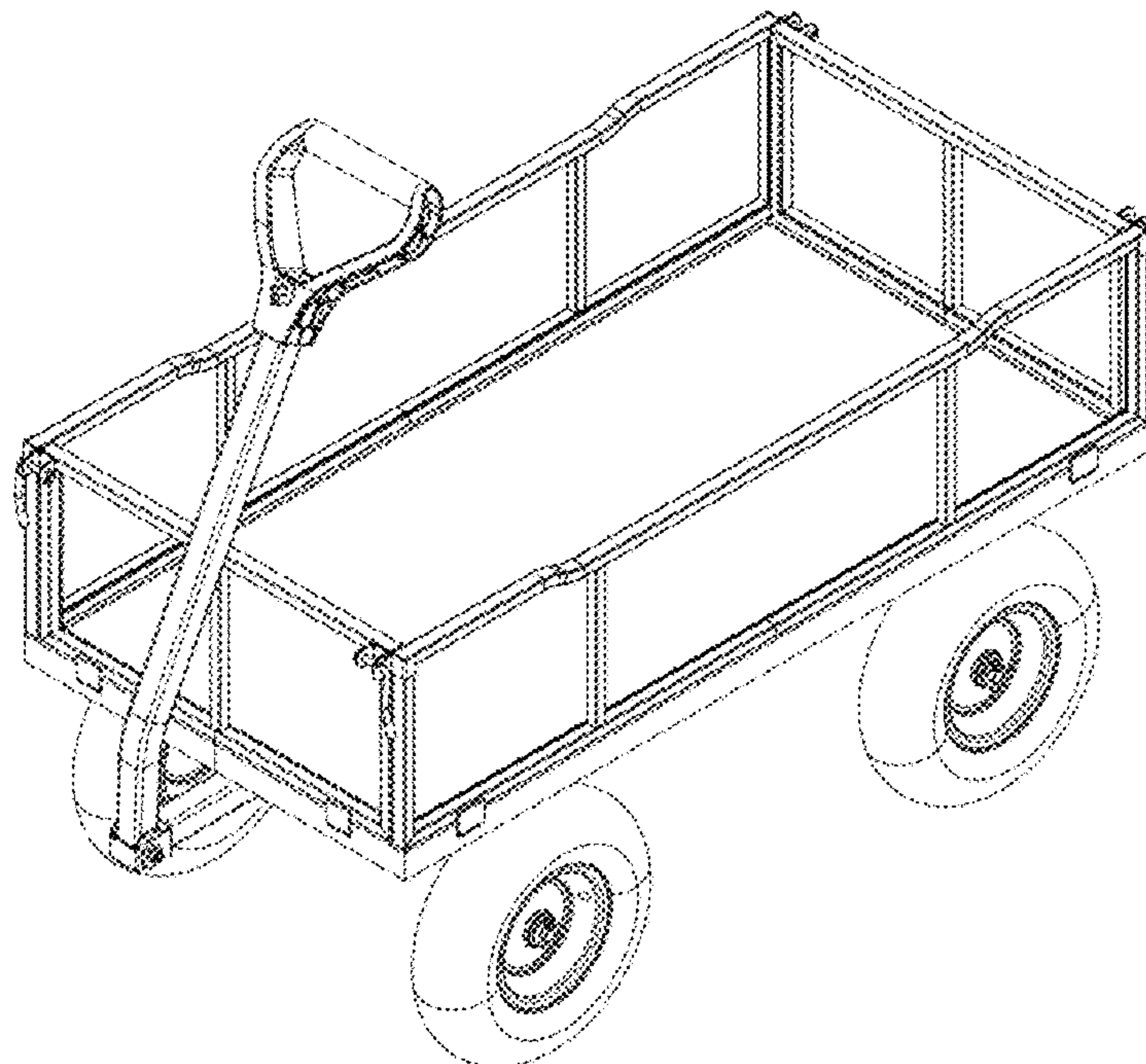
FIG. 4 is a right side elevational view thereof;

FIG. 5 is a left side elevational view thereof; and,

FIG. 6 is a top view thereof.

The broken lines represent the bounds and environment of the article and form no part of the claimed design.

**1 Claim, 6 Drawing Sheets**



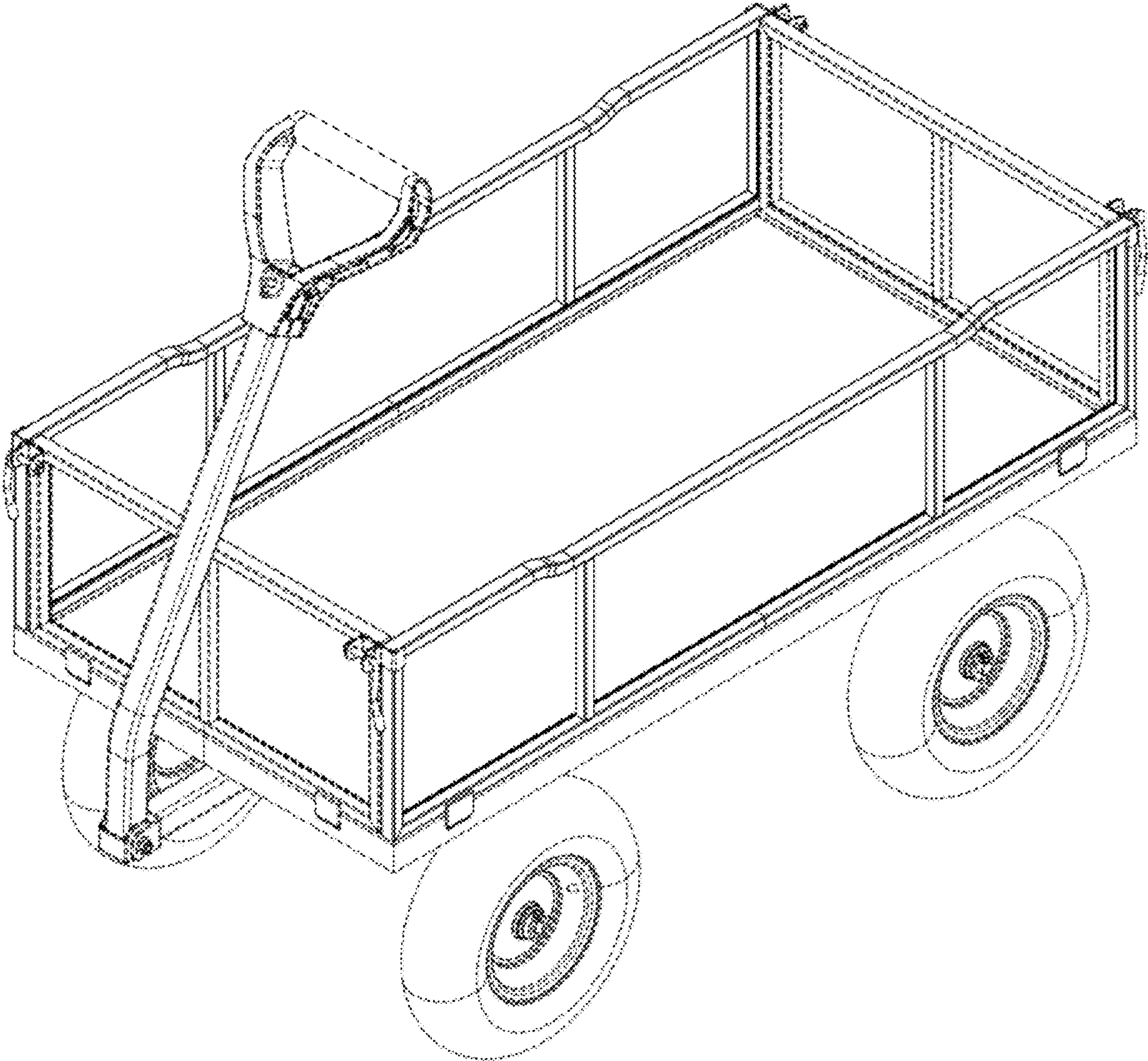


FIG. 1



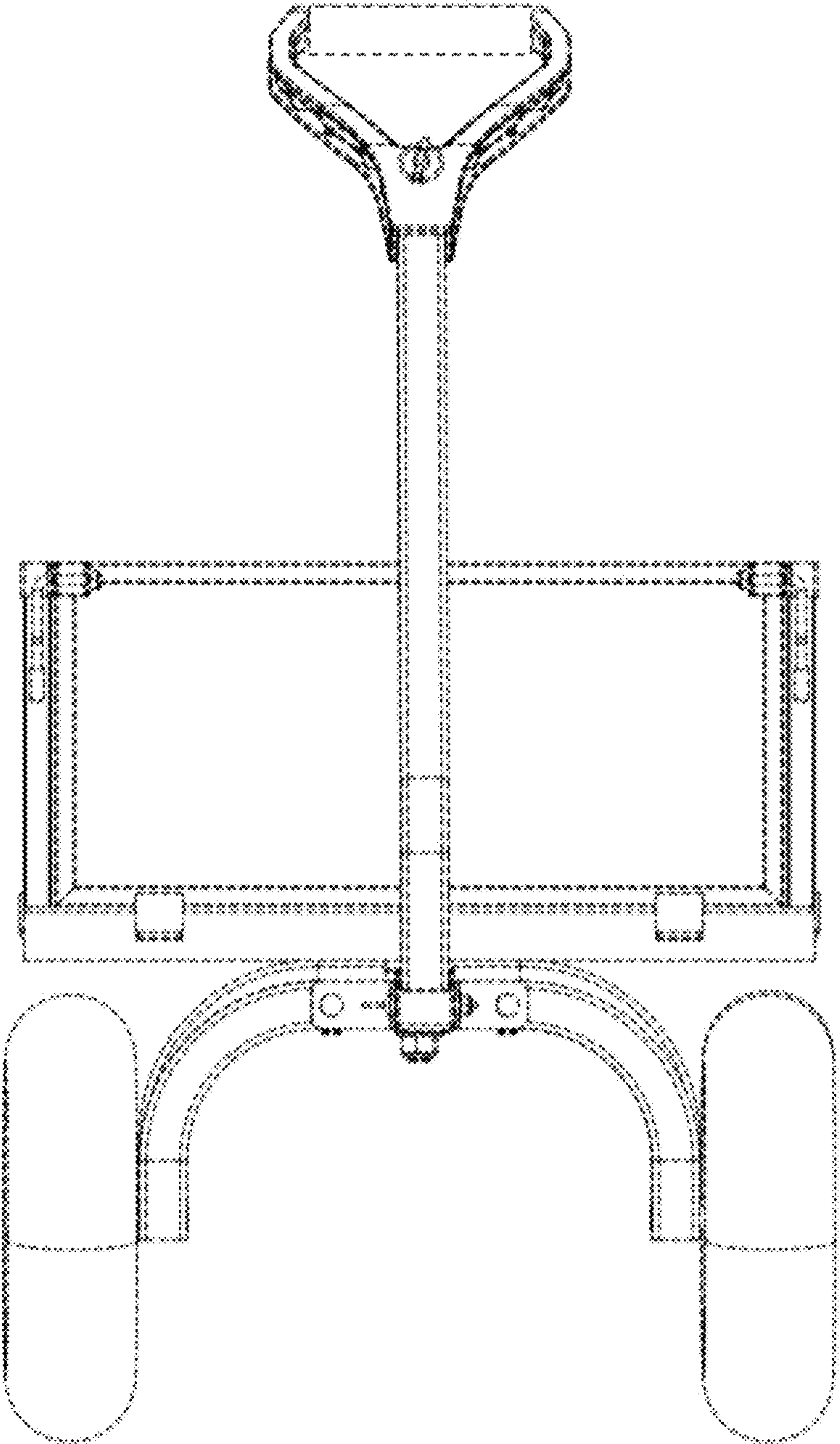


FIG. 2

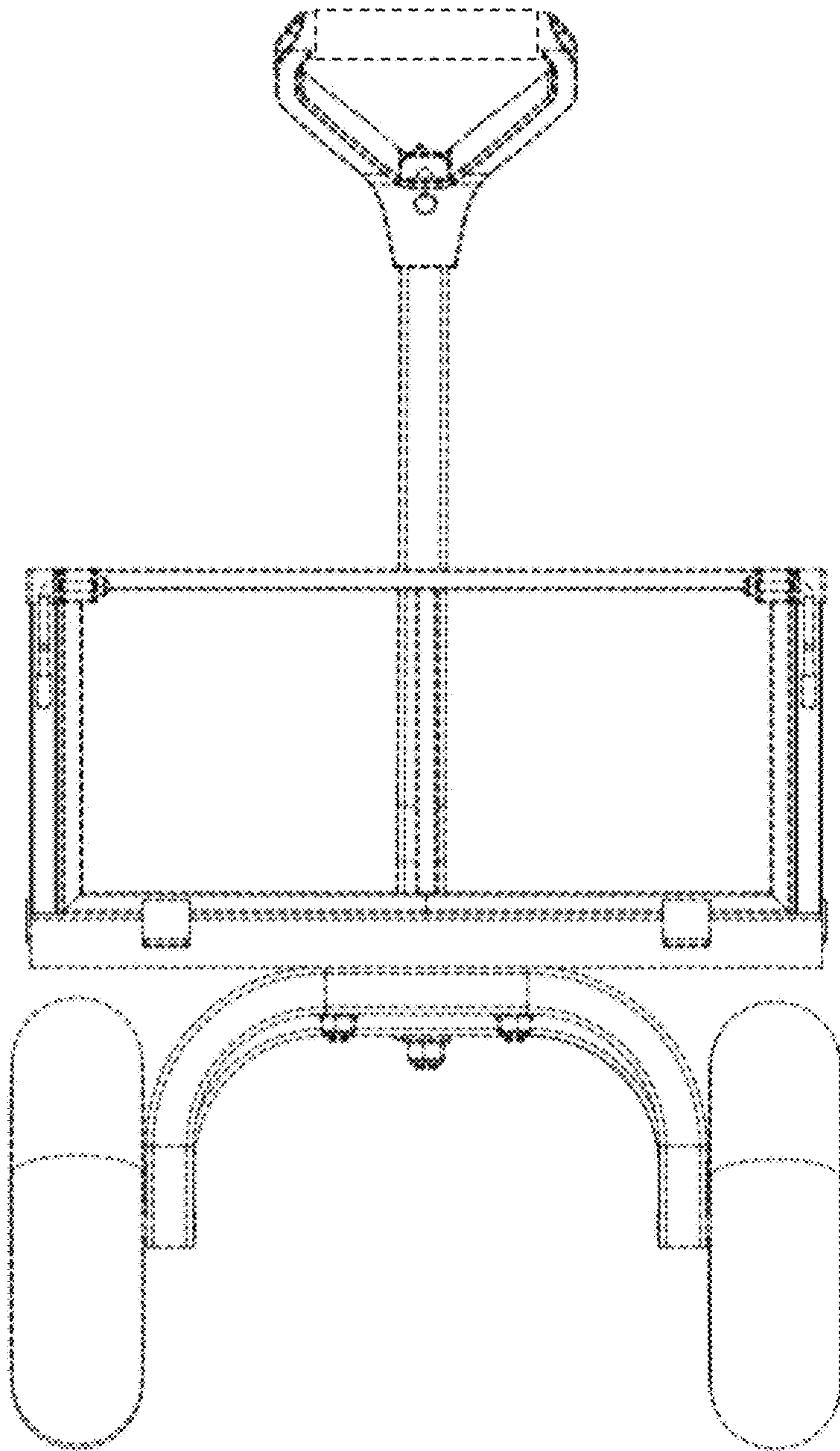


FIG. 3

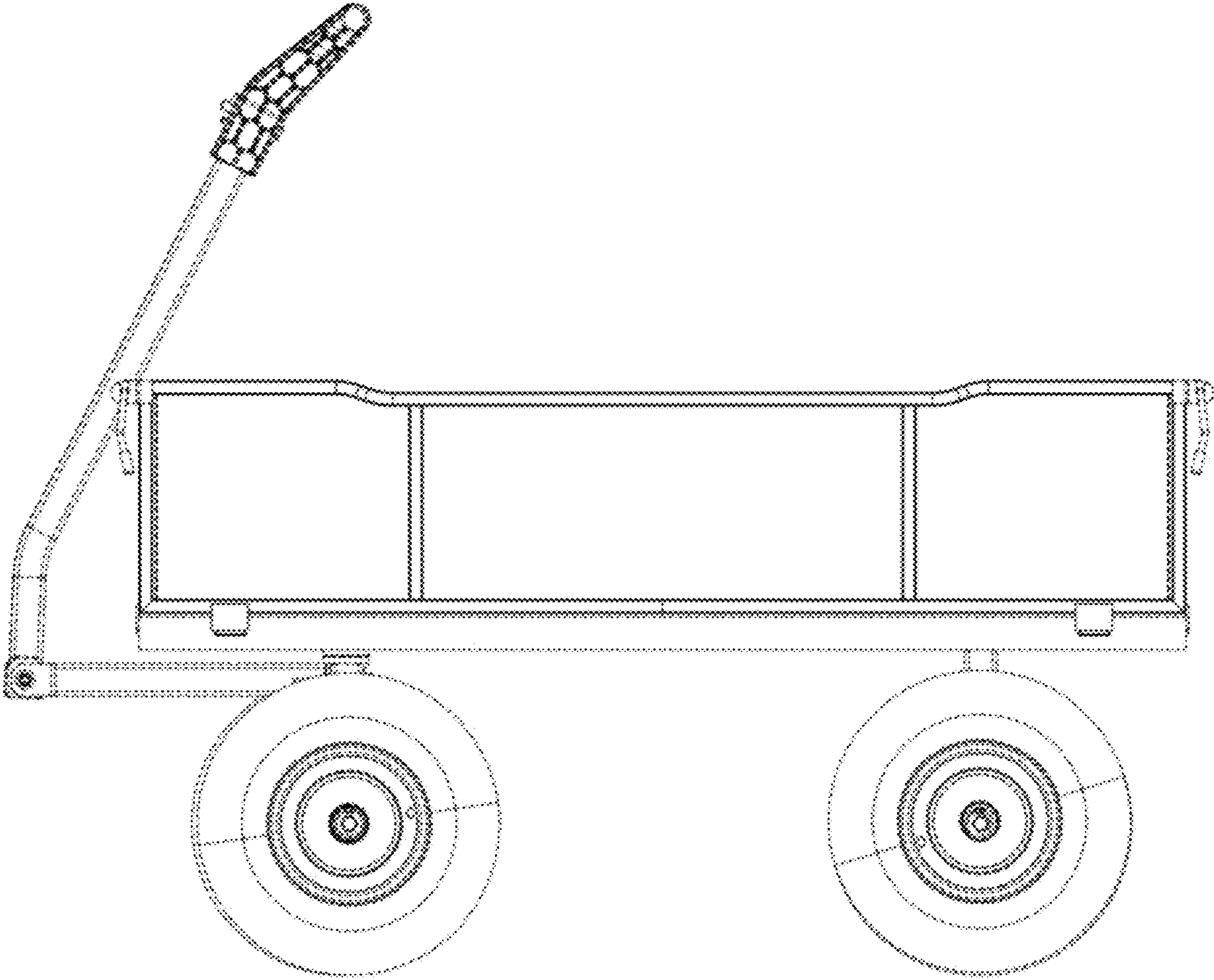


FIG. 4

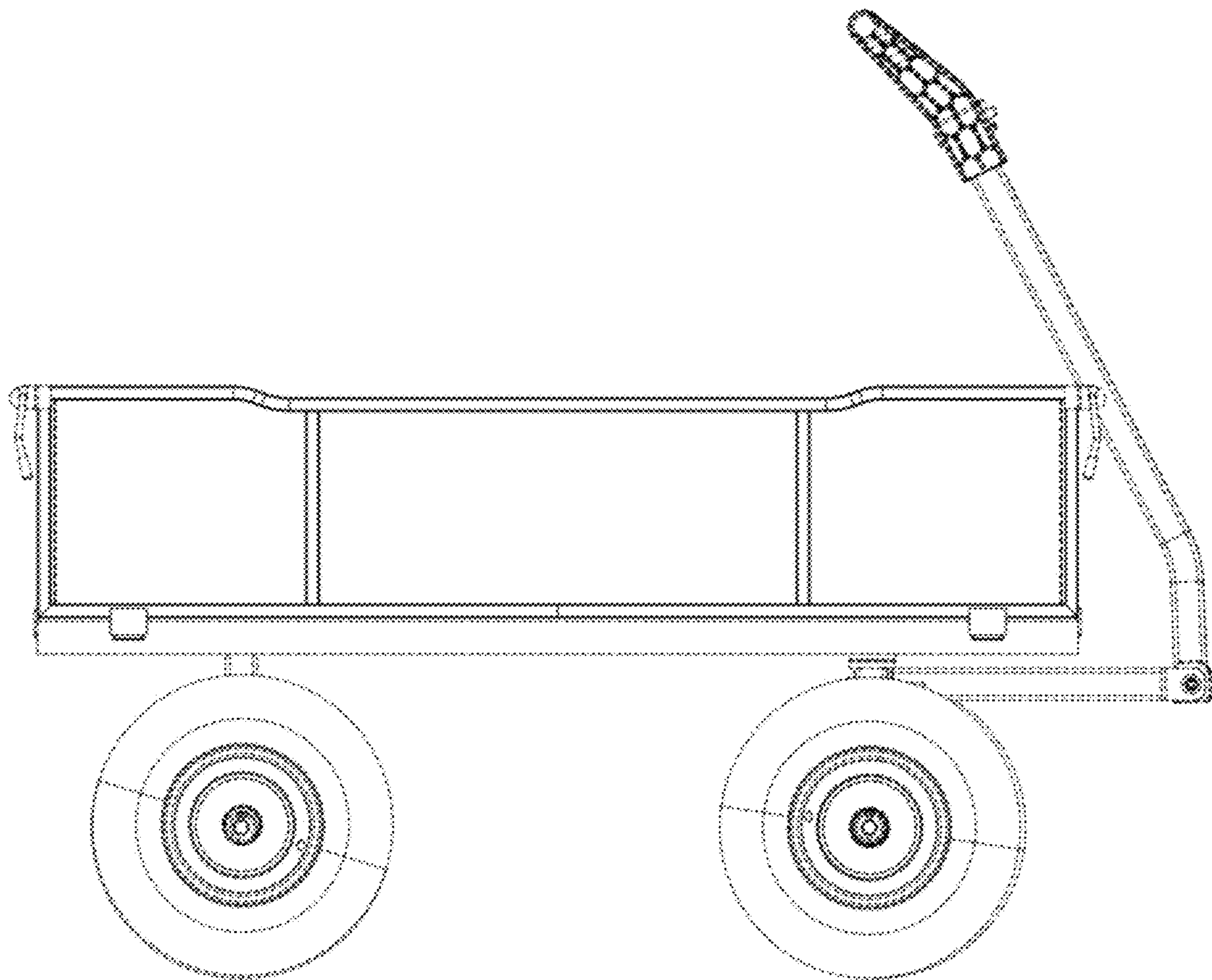


FIG. 5



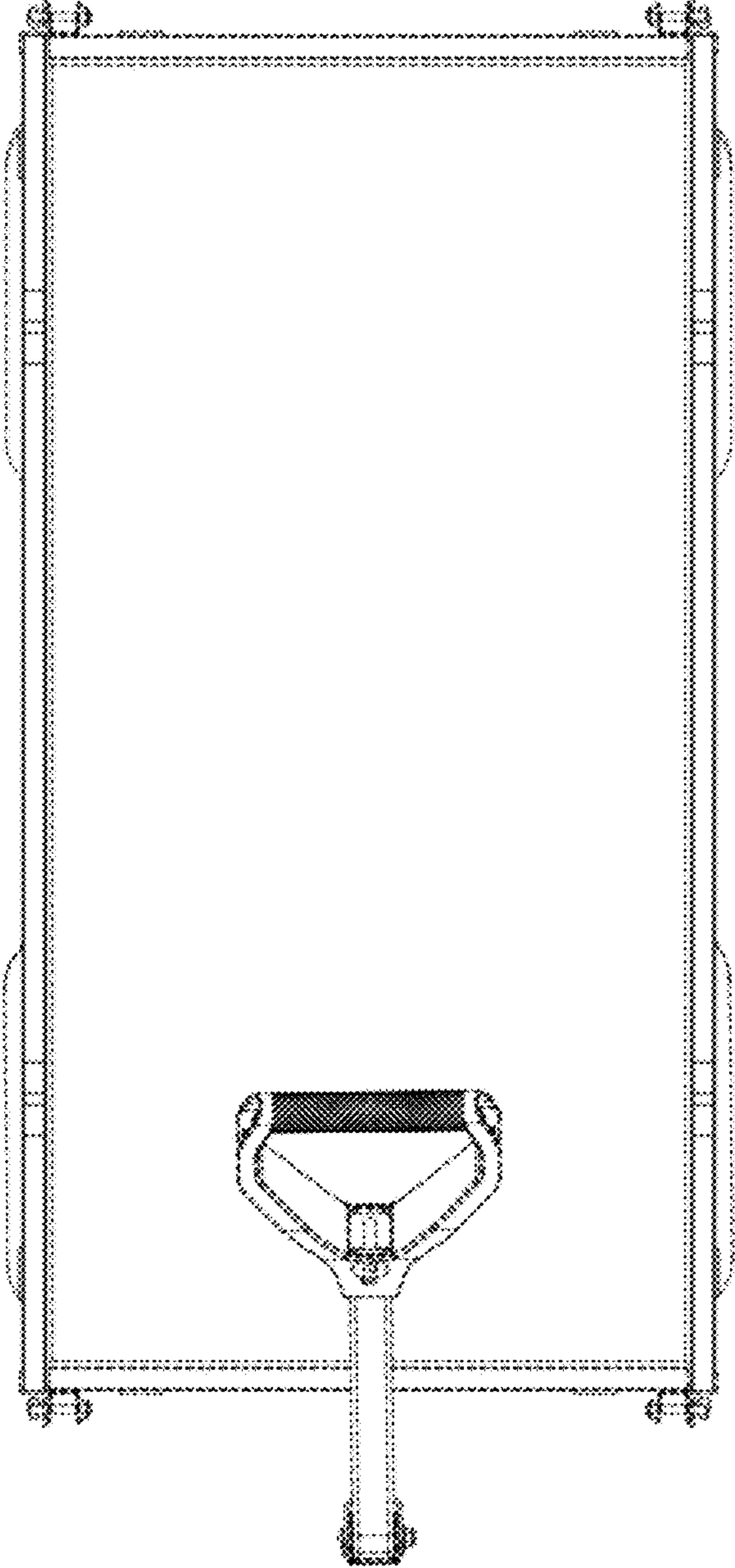


FIG. 6