



US00D898313S

(12) **United States Design Patent** (10) **Patent No.:** **US D898,313 S**
Corbin (45) **Date of Patent:** **** Oct. 6, 2020**

(54) **BROOM**
(71) Applicant: **Anthony Corbin**, Bridgetown (BB)
(72) Inventor: **Anthony Corbin**, Bridgetown (BB)
(**) Term: **15 Years**
(21) Appl. No.: **29/657,779**
(22) Filed: **Jul. 25, 2018**
(51) **LOC (12) Cl.** **07-05**
(52) **U.S. Cl.**
USPC **D32/50**
(58) **Field of Classification Search**
USPC .. D32/50-53, 40, 45, 17-18, 21-22, 24-25;
D4/127, 130-132, 134-136, 138;
D8/1-14, 80, 94, 107
CPC A47L 13/52; A47L 13/12; A47L 13/00;
A47L 13/20; A47L 13/24; A47L 13/22;
A47L 13/512; A47L 13/10; A47L 5/22;
A47L 5/24; B43M 11/02; A46B 5/00;
A46D 1/00
See application file for complete search history.

D307,517 S * 5/1990 Mallory D32/41
D308,741 S * 6/1990 Tsukamoto D32/51
D380,303 S * 7/1997 Wolfenden D32/50
5,839,158 A 11/1998 Schupp
(Continued)

FOREIGN PATENT DOCUMENTS

CN 304713541 * 7/2018
GB 3000554 * 2/2002

OTHER PUBLICATIONS

Oreck® Sweep-N-Go Cordless Electric Broom | Twin City Janitor Supply, Inc. website 2019, <http://catalog.tcjsupply.com/p/SNG/Oreck-Sweep-N-Go-Cordless-Electric-Broom/>, site visited Jun. 19, 2019.*

Primary Examiner — John R Yeh

(57) **CLAIM**

The ornamental design for a broom, as shown and described.

DESCRIPTION

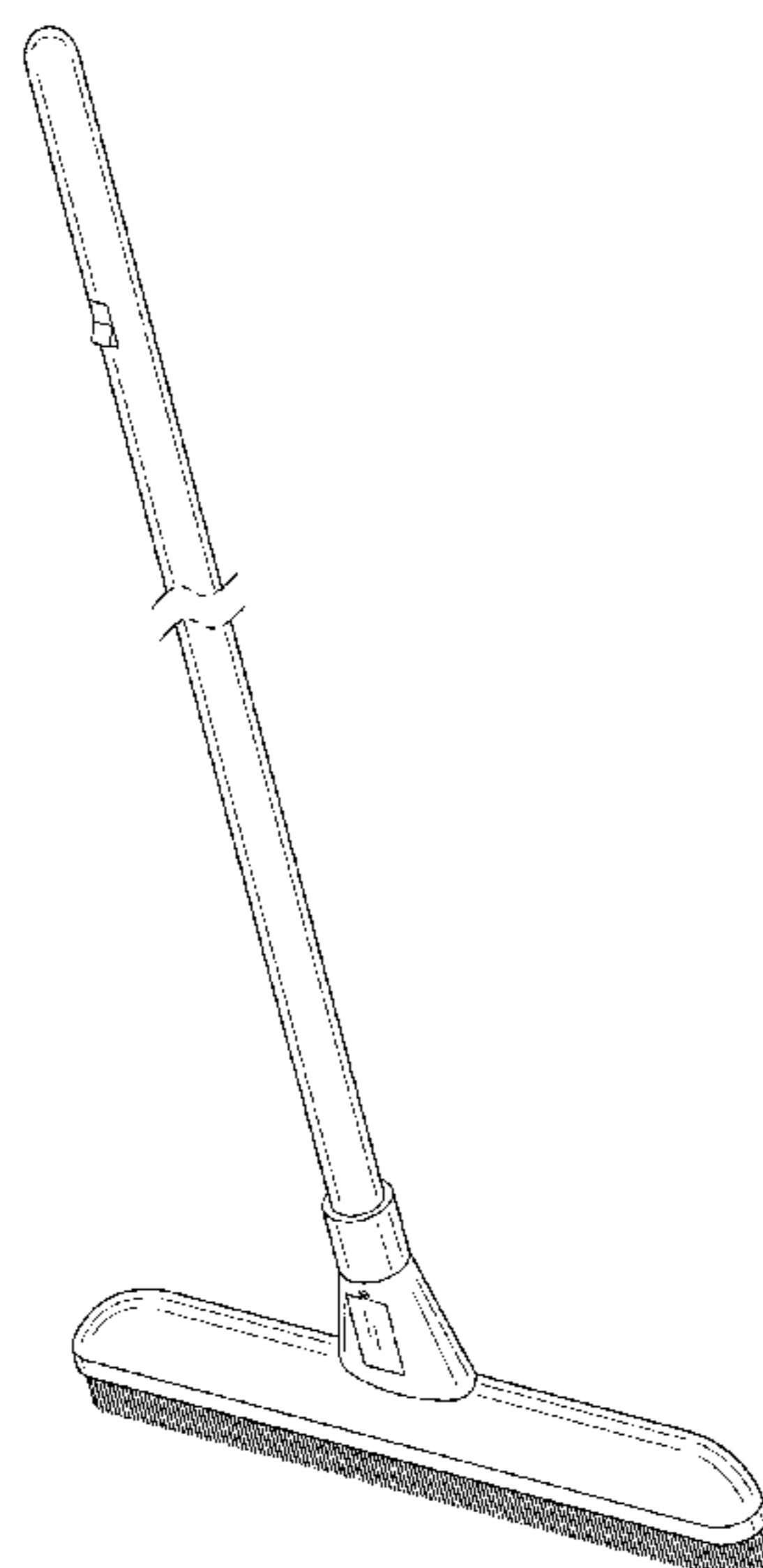
FIG. 1 is a top front side perspective view of a broom showing my new design;
FIG. 2 is an enlarged front view of the broom;
FIG. 3 is an enlarged rear view of the broom;
FIG. 4 is an enlarged left side view of the broom, an enlarged right side view being a mirror image thereof;
FIG. 5 is a top view of the broom;
FIG. 6 is a bottom view of the broom;
FIG. 7 is an enlarged cross-sectional view of the broom taken along line 7-7 of FIG. 6; and,
FIG. 8 is an enlarged bottom front side perspective view thereof.
The broken lines in the drawings depict portions of the broom that form no part of the claimed design.
The broken away symbols form no part of the claimed design.

1 Claim, 6 Drawing Sheets

(56) **References Cited**

U.S. PATENT DOCUMENTS

D30,092 S * 1/1899 Hoke D4/132
D30,728 S * 5/1899 Hoke D4/132
1,764,095 A * 6/1930 Cave B25G 3/12
403/253
1,868,305 A * 7/1932 Craven A47L 13/512
15/246
1,901,542 A * 3/1933 Wansor A46B 3/08
15/171
D99,111 S * 3/1936 Bickel D4/132
D132,813 S * 6/1942 Schwartz D4/130
D143,537 S * 1/1946 Le Febrve D4/132
3,076,217 A * 2/1963 Scholl B25G 3/30
15/145
D277,524 S * 2/1985 Kubick D32/50
D289,338 S * 4/1987 Sartori D32/50
D299,289 S * 1/1989 Machacek D32/50



US D898,313 S

Page 2

(56)

References Cited

U.S. PATENT DOCUMENTS

<p>5,918,340 A * 7/1999 Young A47L 13/24 15/115</p> <p>D415,616 S * 10/1999 Camp, Jr. D4/199</p> <p>5,966,771 A * 10/1999 Stroud A46B 3/005 15/117</p> <p>D417,325 S * 11/1999 Tintelnot D32/50</p> <p>6,029,311 A 2/2000 Scanni</p> <p>D424,263 S * 5/2000 Canni Ferrari D32/22</p> <p>6,058,551 A * 5/2000 Tagliavini A46B 5/0054 15/144.1</p> <p>6,108,854 A * 8/2000 Dingert A46B 9/02 15/188</p> <p>D487,847 S * 3/2004 Vosbikian D4/132</p> <p>7,320,150 B2 1/2008 Stewart</p> <p>D572,487 S * 7/2008 Miller D4/118</p> <p>7,707,683 B2 5/2010 Nurudeen</p>	<p>D663,533 S * 7/2012 Pottes D4/199</p> <p>8,449,682 B2 * 5/2013 Perelli A46B 5/0033 134/42</p> <p>8,745,816 B2 6/2014 Salvato</p> <p>D777,393 S * 1/2017 Vandenbroucke D32/40</p> <p>D786,520 S * 5/2017 Thoma D32/50</p> <p>D786,565 S * 5/2017 Lauridsen D4/135</p> <p>D828,668 S * 9/2018 Libman D32/50</p> <p>D851,347 S * 6/2019 Sunila D32/50</p> <p>2006/0245820 A1 * 11/2006 Kresse A47L 13/20 401/276</p> <p>2009/0094769 A1 * 4/2009 Wilson A46B 5/0075 15/144.1</p> <p>2010/0132151 A1 6/2010 Khalil</p> <p>2010/0212096 A1 * 8/2010 Libman A46B 7/04 15/145</p> <p>2013/0031736 A1 * 2/2013 Martin A46B 7/04 15/105</p> <p>2019/0167063 A1 * 6/2019 Balz A46B 15/00</p> <p>* cited by examiner</p>
--	--

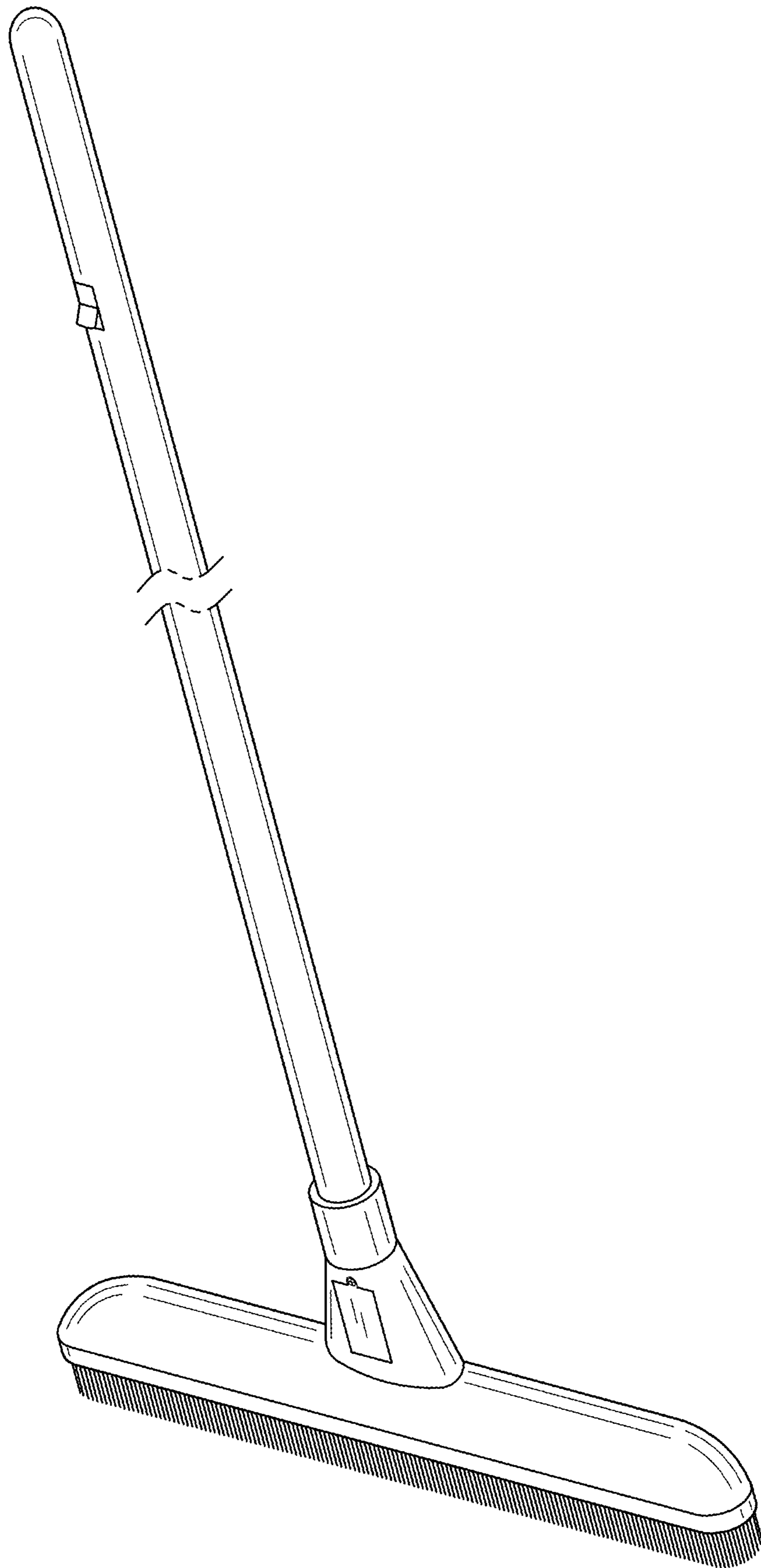


FIG. 1

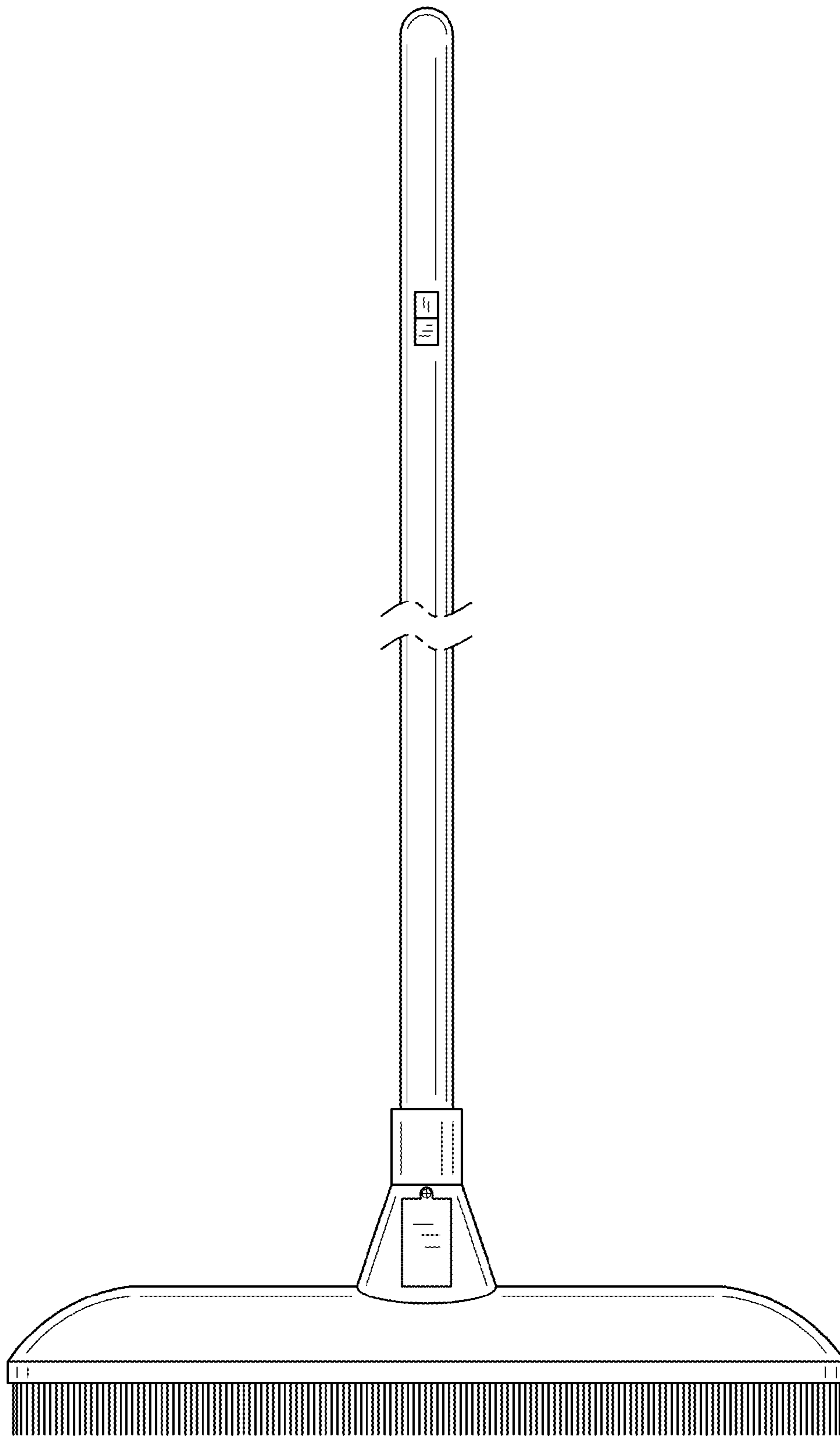


FIG. 2

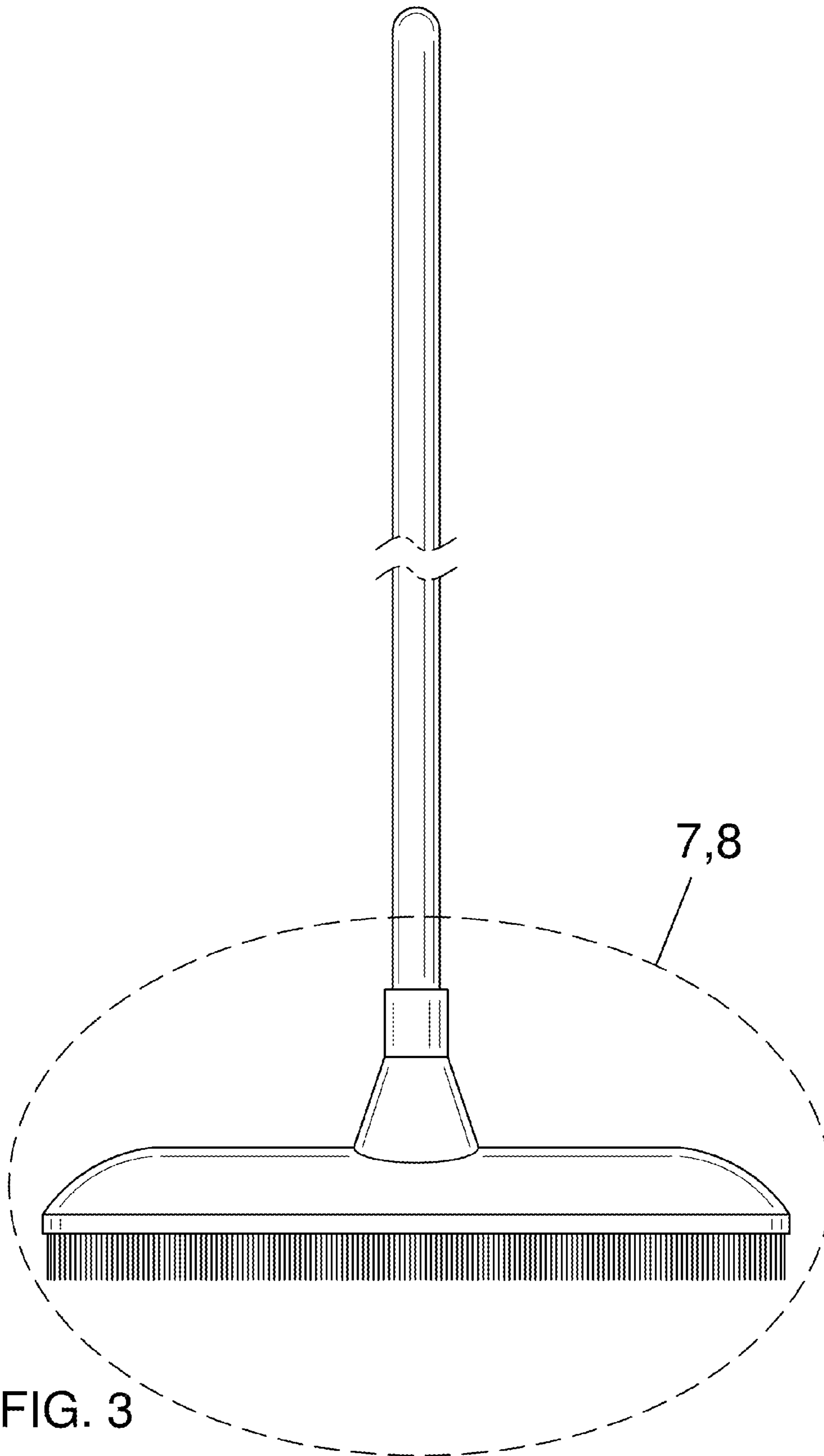


FIG. 3

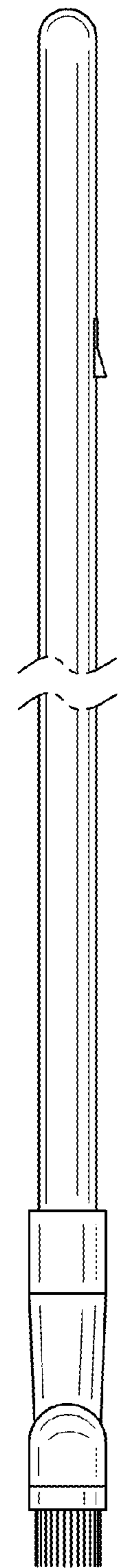


FIG. 4

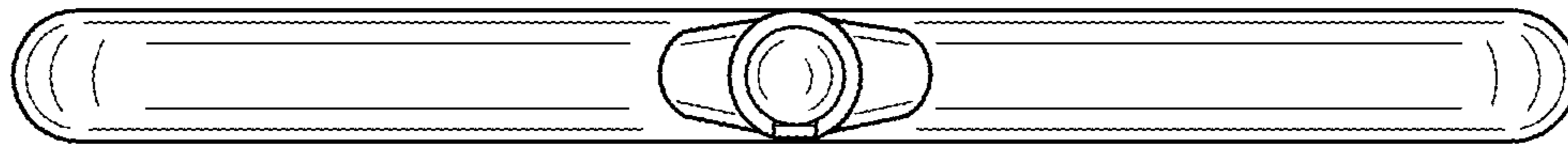


FIG. 5



FIG. 6

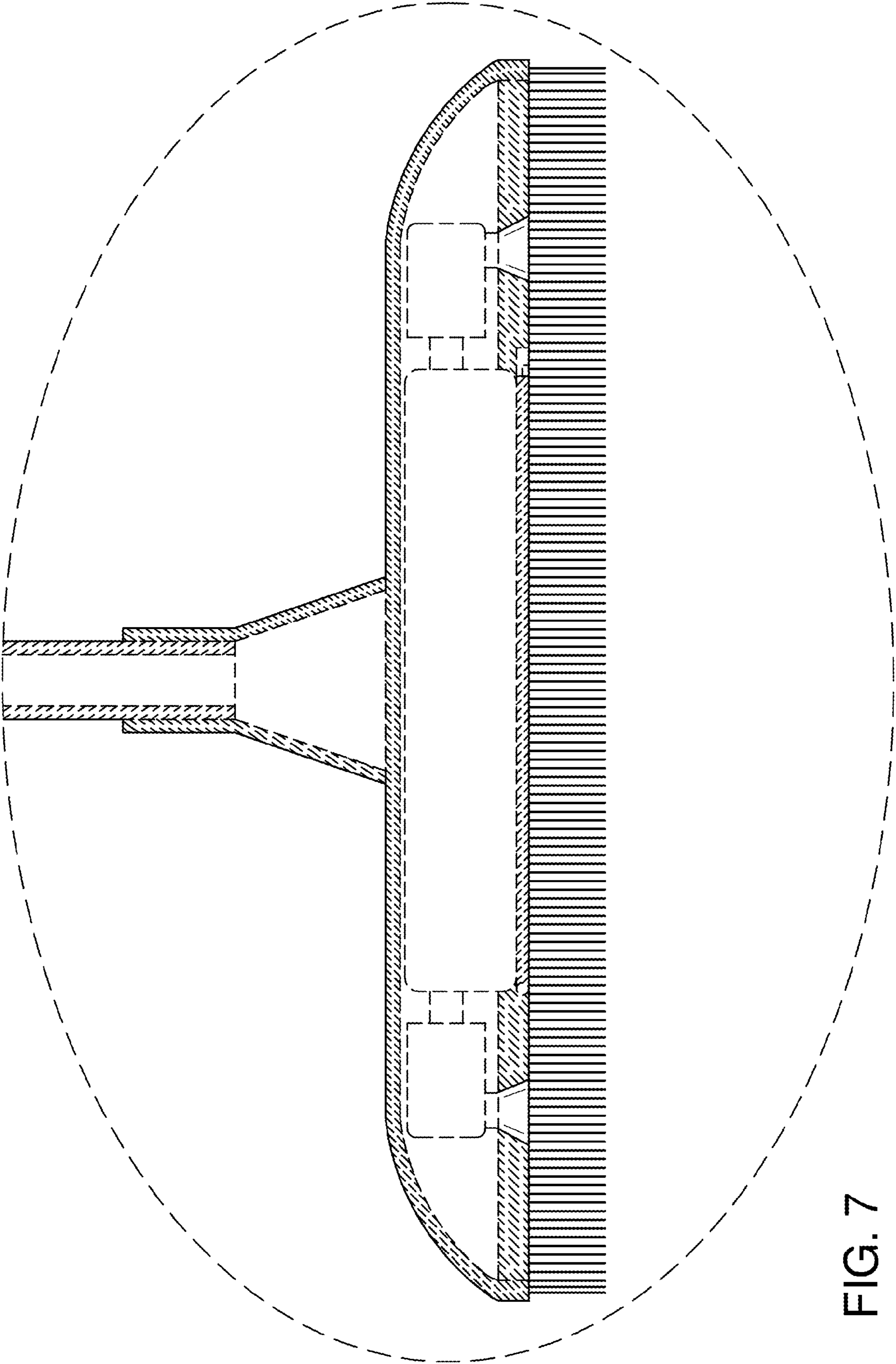


FIG. 7

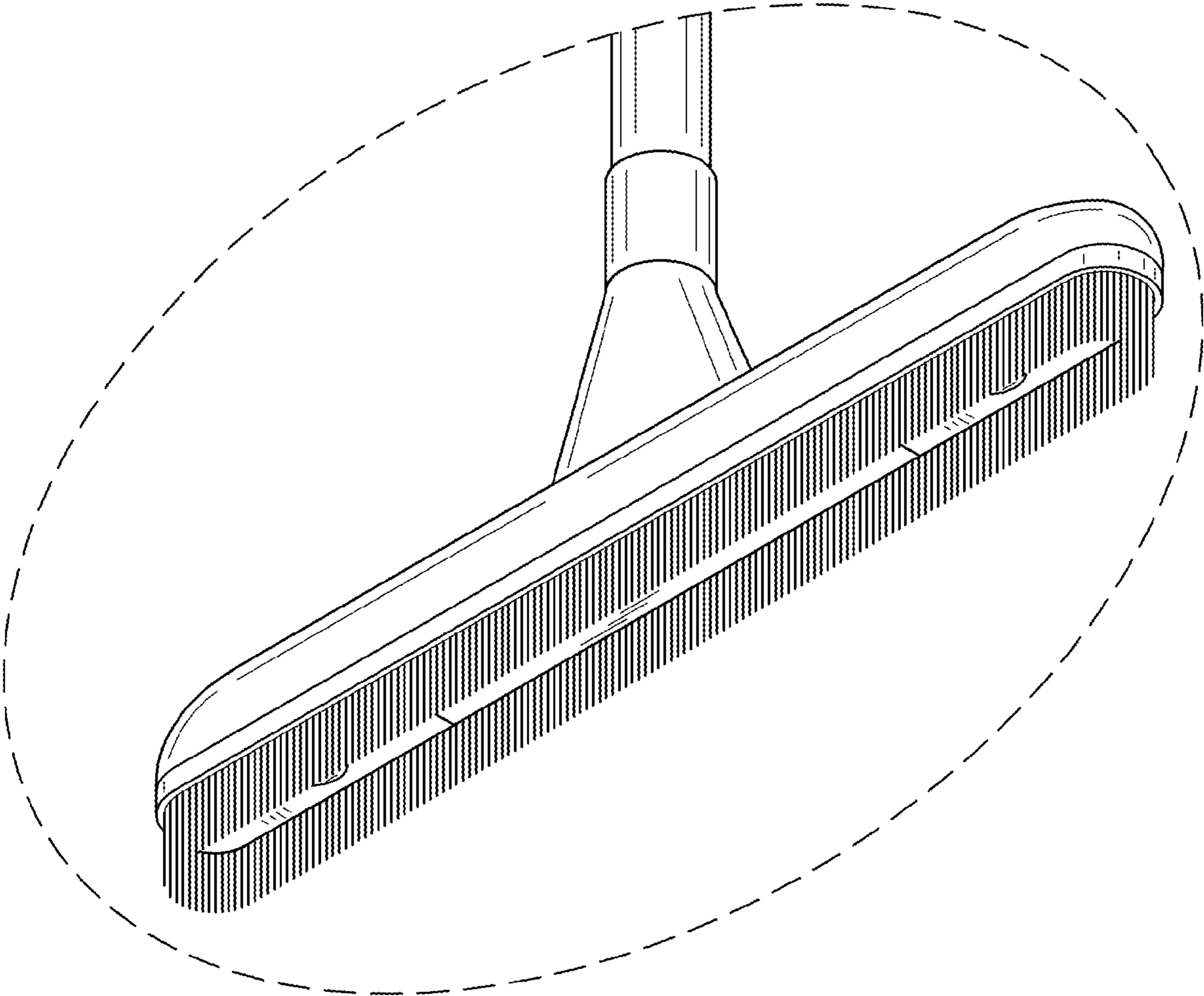


FIG. 8