



US00D898312S

(12) **United States Design Patent**
Yoon et al.

(10) **Patent No.:** **US D898,312 S**

(45) **Date of Patent:** **** Oct. 6, 2020**

(54) **WASHING MACHINE**

OTHER PUBLICATIONS

(71) Applicant: **SAMSUNG ELECTRONICS CO., LTD.**, Suwon-si, Gyeonggi-do (KR)

Samsung Front Load Washing Machine, Home Depot website reviews Apr. 2019, [https://www.homedepot.com/p/Samsung-4-5-cu-ft-High-Efficiency-Champagne-Front-Load . . .](https://www.homedepot.com/p/Samsung-4-5-cu-ft-High-Efficiency-Champagne-Front-Load...) site visited Jun. 8, 2020.*

(72) Inventors: **Sanghoon Yoon**, Suwon-si (KR);
Myunggyu Kim, Suwon-si (KR);
Jaejin Lee, Suwon-si (KR)

Primary Examiner — John R Yeh

(73) Assignee: **SAMSUNG ELECTRONICS CO., LTD.**, Gyeonggi-Do (KR)

(74) *Attorney, Agent, or Firm* — Cantor Colburn LLP

(**) Term: **15 Years**

(57) **CLAIM**

(21) Appl. No.: **29/684,179**

The ornamental design for a washing machine, as shown and described.

(22) Filed: **Mar. 19, 2019**

(30) **Foreign Application Priority Data**

DESCRIPTION

Nov. 19, 2018 (KR) 30-2018-0053587

(51) **LOC (12) Cl.** **15-05**

(52) **U.S. Cl.**
USPC **D32/25**

(58) **Field of Classification Search**
USPC D32/2-3, 5-7, 12-13, 25-29.1, 30
CPC A47L 15/42; A47L 15/00; B65D 47/06;
D06F 23/06; D06F 37/26

See application file for complete search history.

FIG. 1 is a front perspective view of a washing machine, showing our new design;
FIG. 2 is a front view thereof;
FIG. 3 is a rear view thereof;
FIG. 4 is a left-side view thereof;
FIG. 5 is a right-side view thereof;
FIG. 6 is a top view thereof;
FIG. 7 is a bottom view thereof;
FIG. 8 is an enlarged view of the encircled portion 8 in FIG. 1;
FIG. 9 is an enlarged view of the encircled portion 9 in FIG. 2;
FIG. 10 is an enlarged view of the encircled portion 10 in FIG. 4;
FIG. 11 is an enlarged view of the encircled portion 11 in FIG. 5; and,
FIG. 12 is an enlarged view of the encircled portion 12 in FIG. 6.

(56) **References Cited**

U.S. PATENT DOCUMENTS

D517,258 S * 3/2006 Ha D32/6
D552,807 S * 10/2007 Jeon D32/6
D564,719 S * 3/2008 Eicher D32/28
D571,064 S * 6/2008 Eicher D32/28
D582,105 S * 12/2008 Cho D32/6
D658,343 S * 4/2012 Jeon D32/29.1

(Continued)

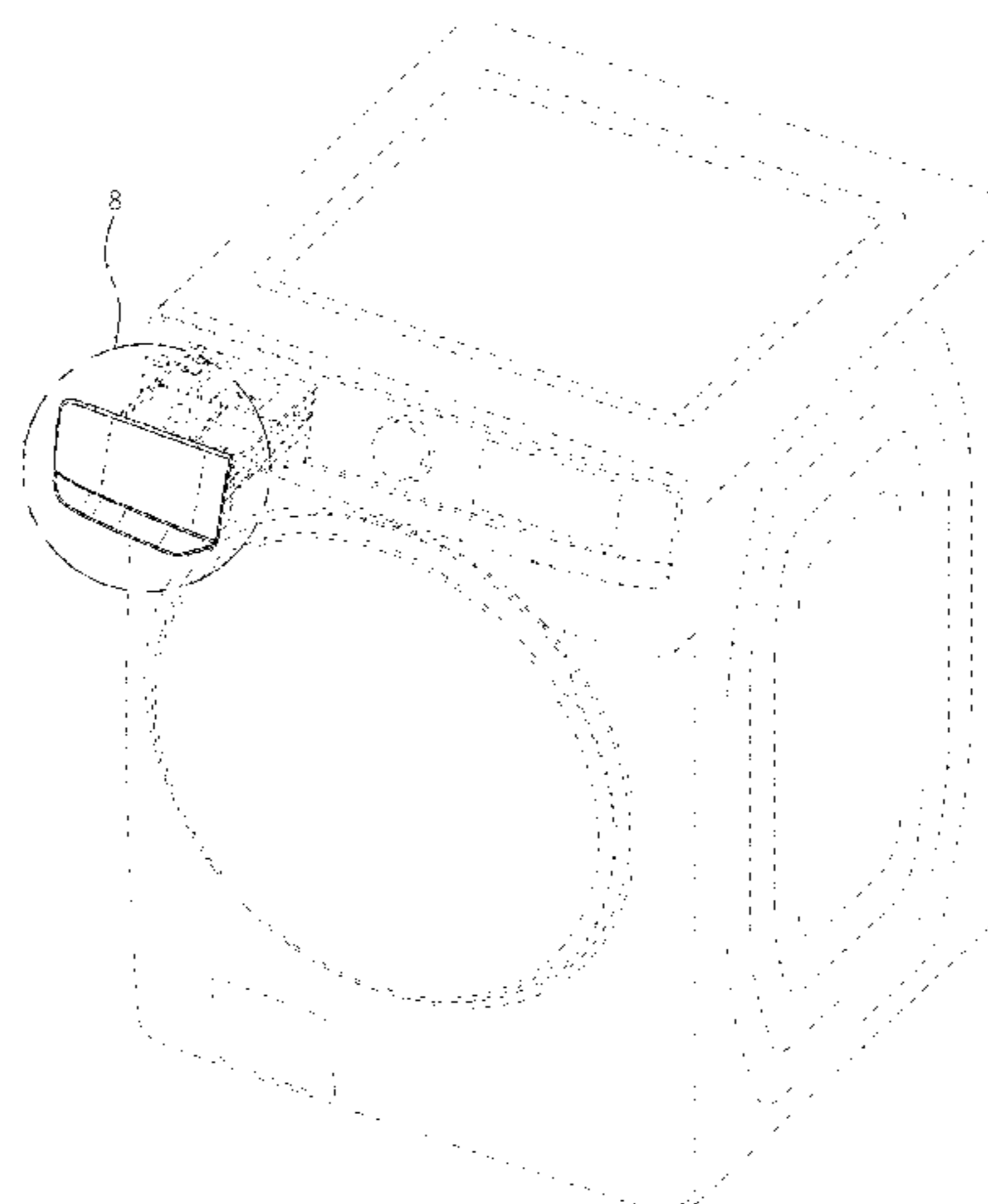
FOREIGN PATENT DOCUMENTS

CN 301959228 S 6/2012
CN 302054512 S 8/2012

(Continued)

The even-dash broken lines illustrating portions of the washing machine form no part of the claimed design. The dot-dash broken lines encircling enlargement portions of the claimed design form no part of the claimed design.

1 Claim, 12 Drawing Sheets



(56)

References Cited

U.S. PATENT DOCUMENTS

D695,472 S * 12/2013 Borjesson D32/6
D698,509 S * 1/2014 Cho D32/29.1
D732,763 S * 6/2015 Hwang D32/6
D732,777 S * 6/2015 Ha D32/28
D773,134 S * 11/2016 Armstrong D32/28
D785,256 S * 4/2017 Yoon D32/25
D785,257 S * 4/2017 Kim D32/25
D787,763 S * 5/2017 Kim D32/29.1
D794,269 S * 8/2017 Kim D32/29.1
D794,886 S * 8/2017 Kim D32/29.1
D794,887 S * 8/2017 Kim D32/29.1
D811,029 S * 2/2018 Yoon D32/29.1
D824,617 S * 7/2018 Yoon D32/29.1
D827,230 S * 8/2018 Ha D32/6
D830,653 S * 10/2018 Joo D32/28
D848,095 S * 5/2019 Joo D32/28

FOREIGN PATENT DOCUMENTS

CN 303089921 S 1/2015
CN 303358777 S 9/2015
EM 002175778-0001 1/2013
KR 301022959.0000 * 9/2019

* cited by examiner

FIG. 1

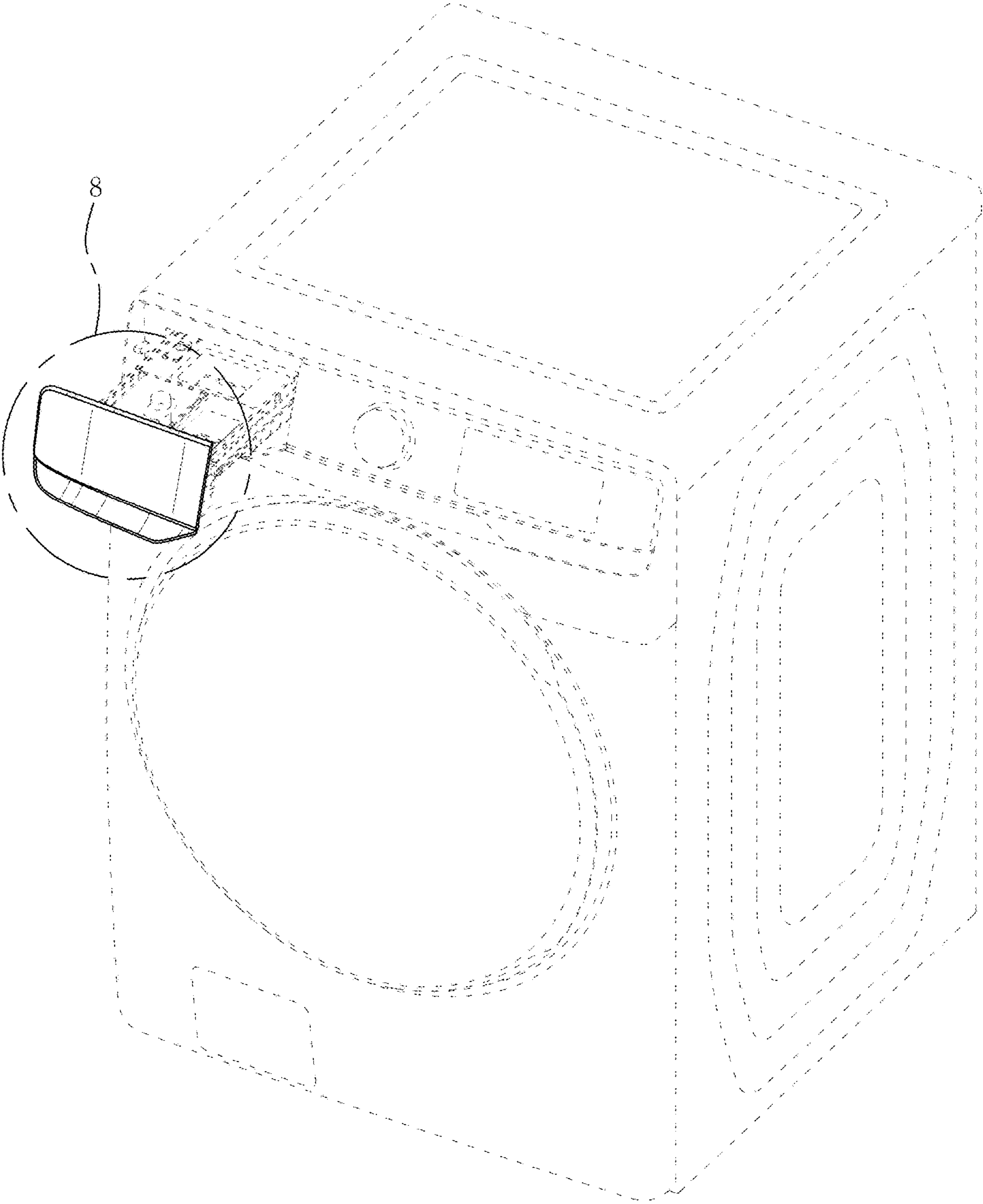


FIG. 2

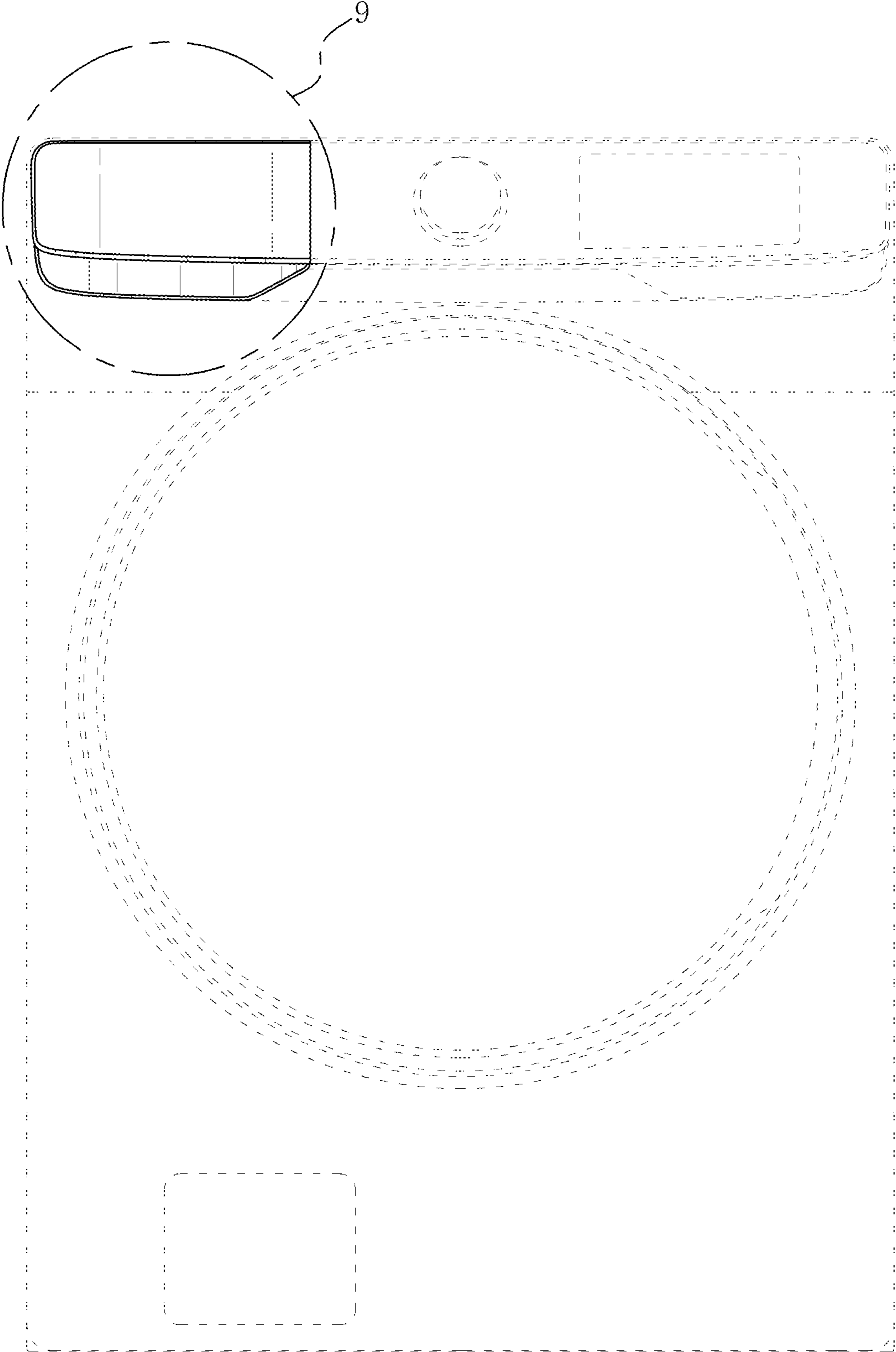


FIG. 3



FIG. 4

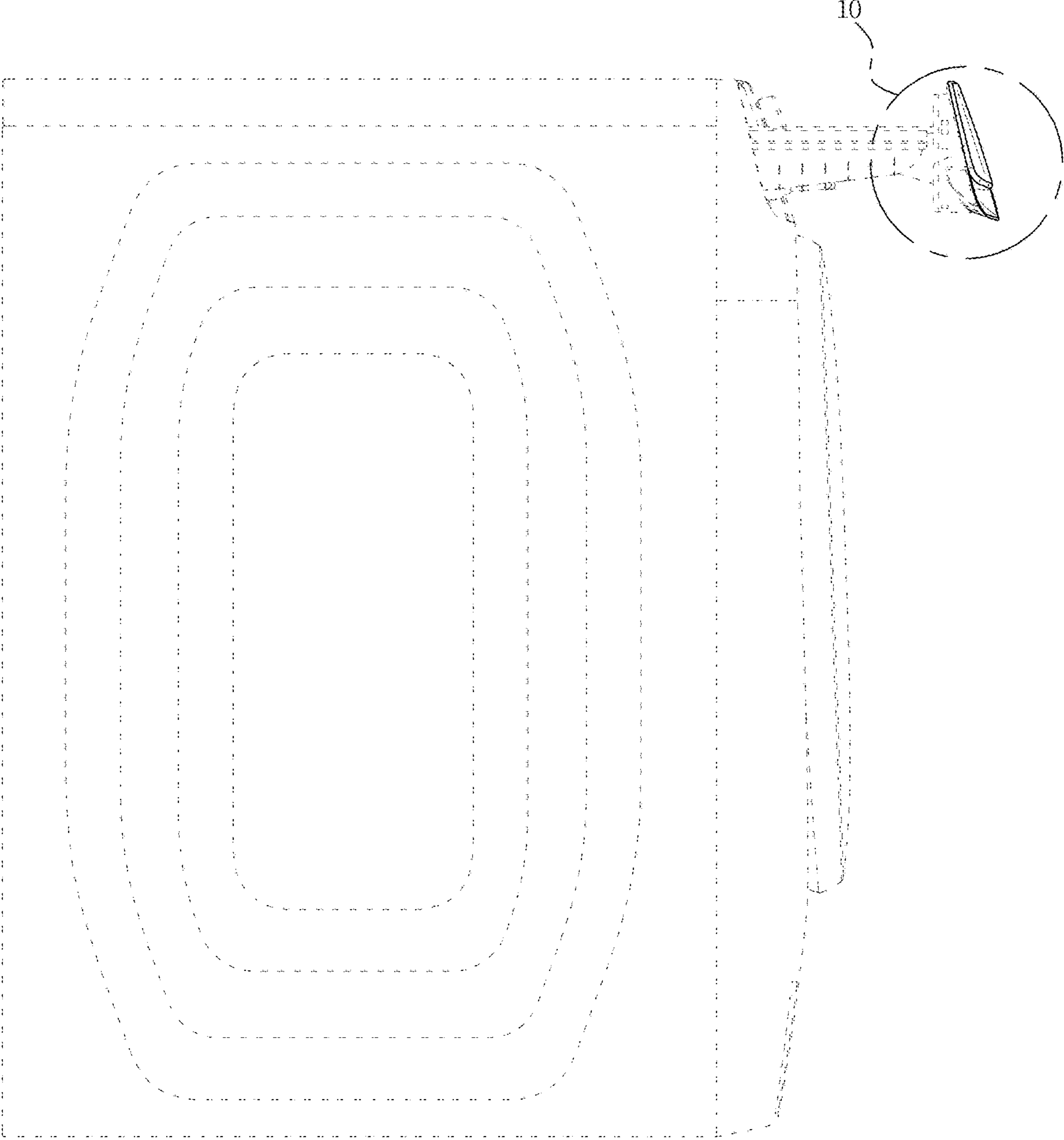


FIG. 5

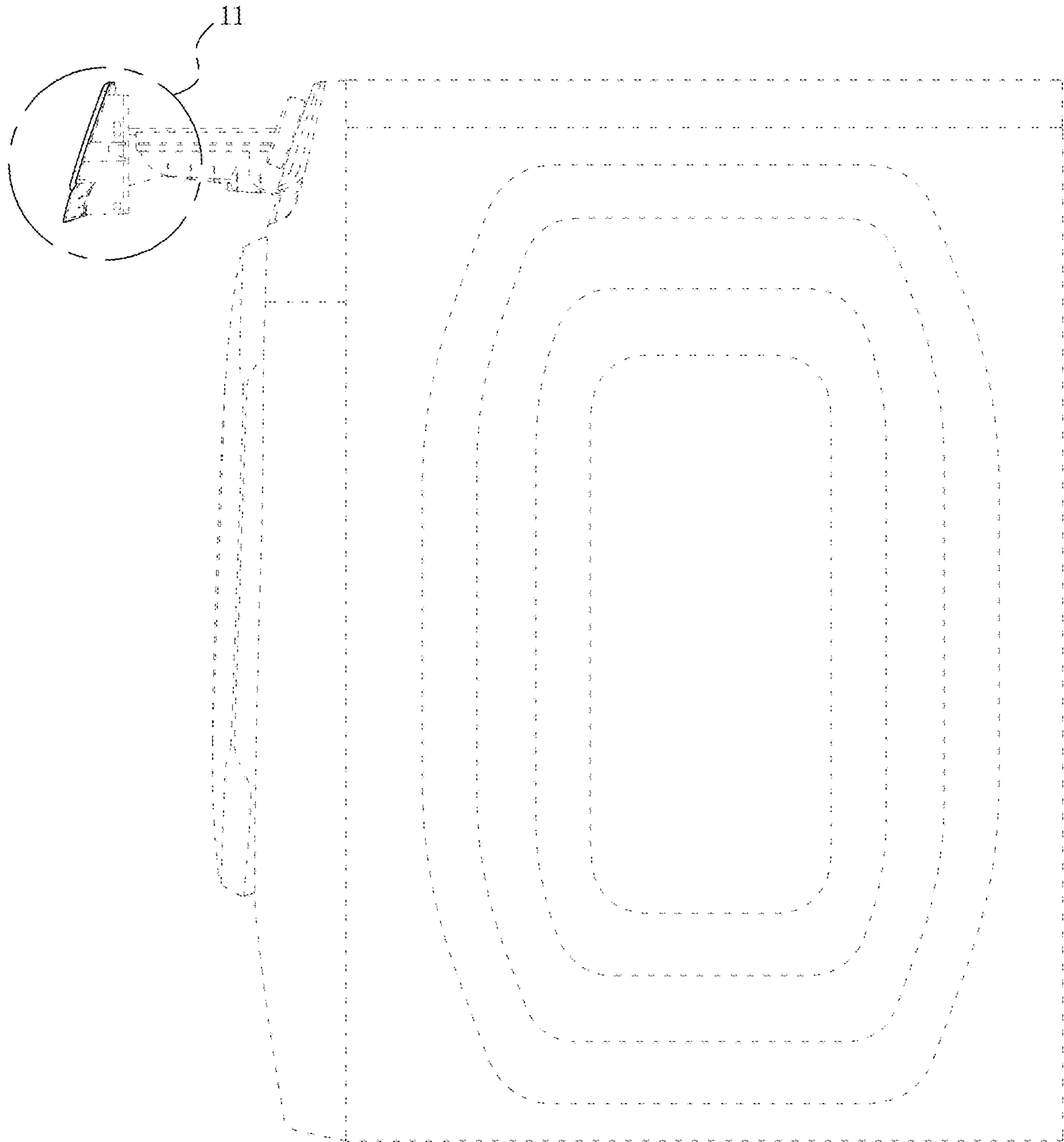


FIG. 6

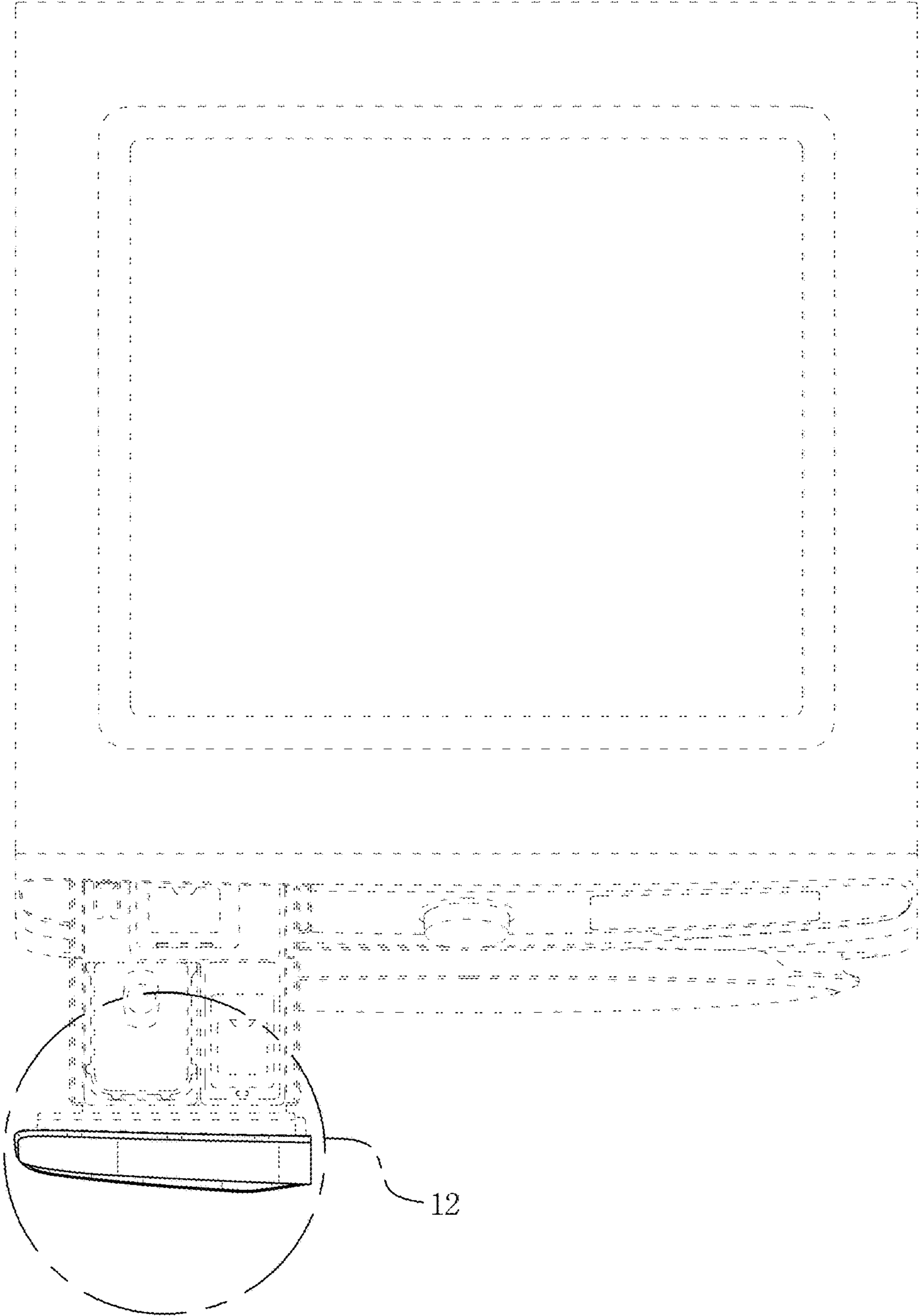


FIG. 7

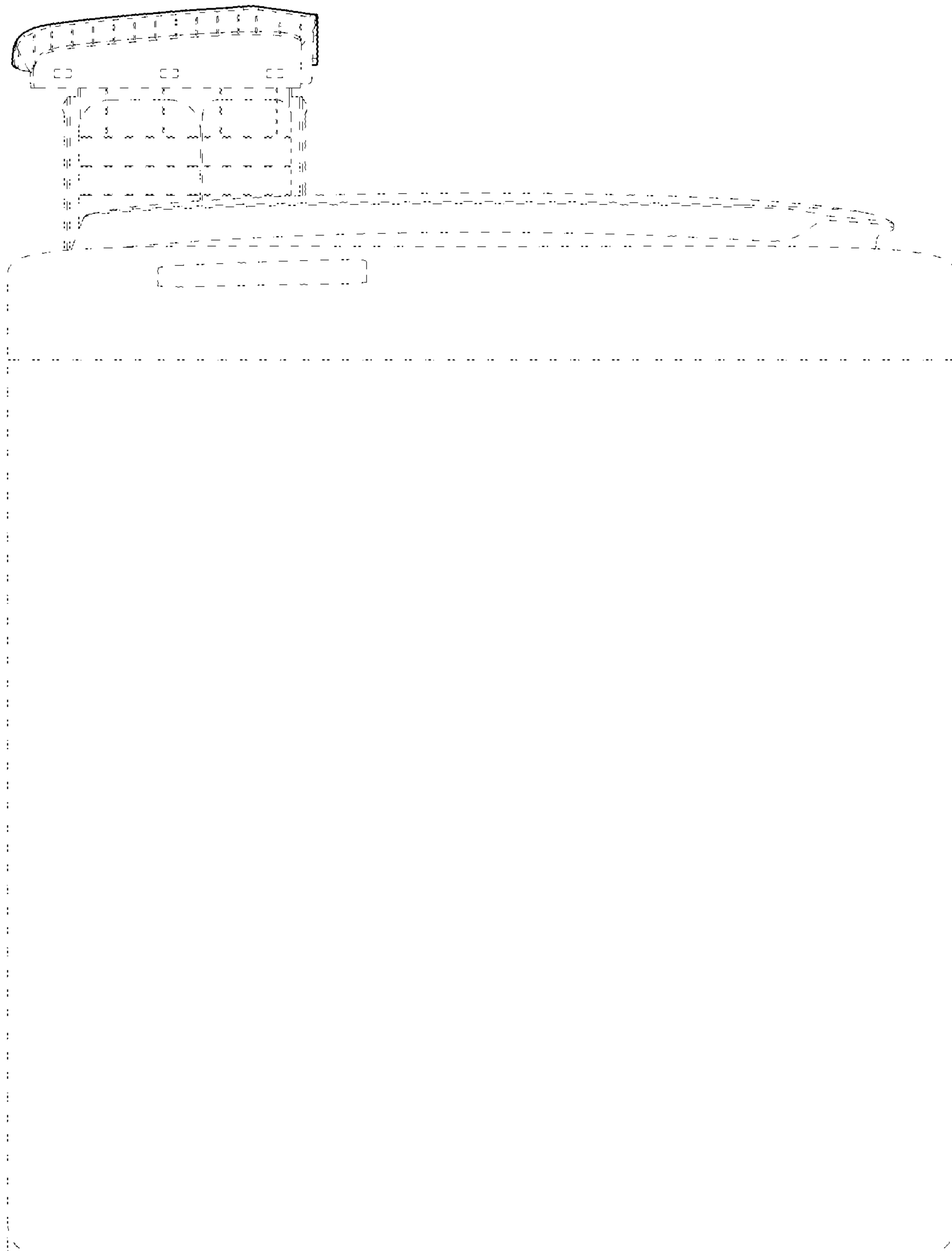


FIG. 8

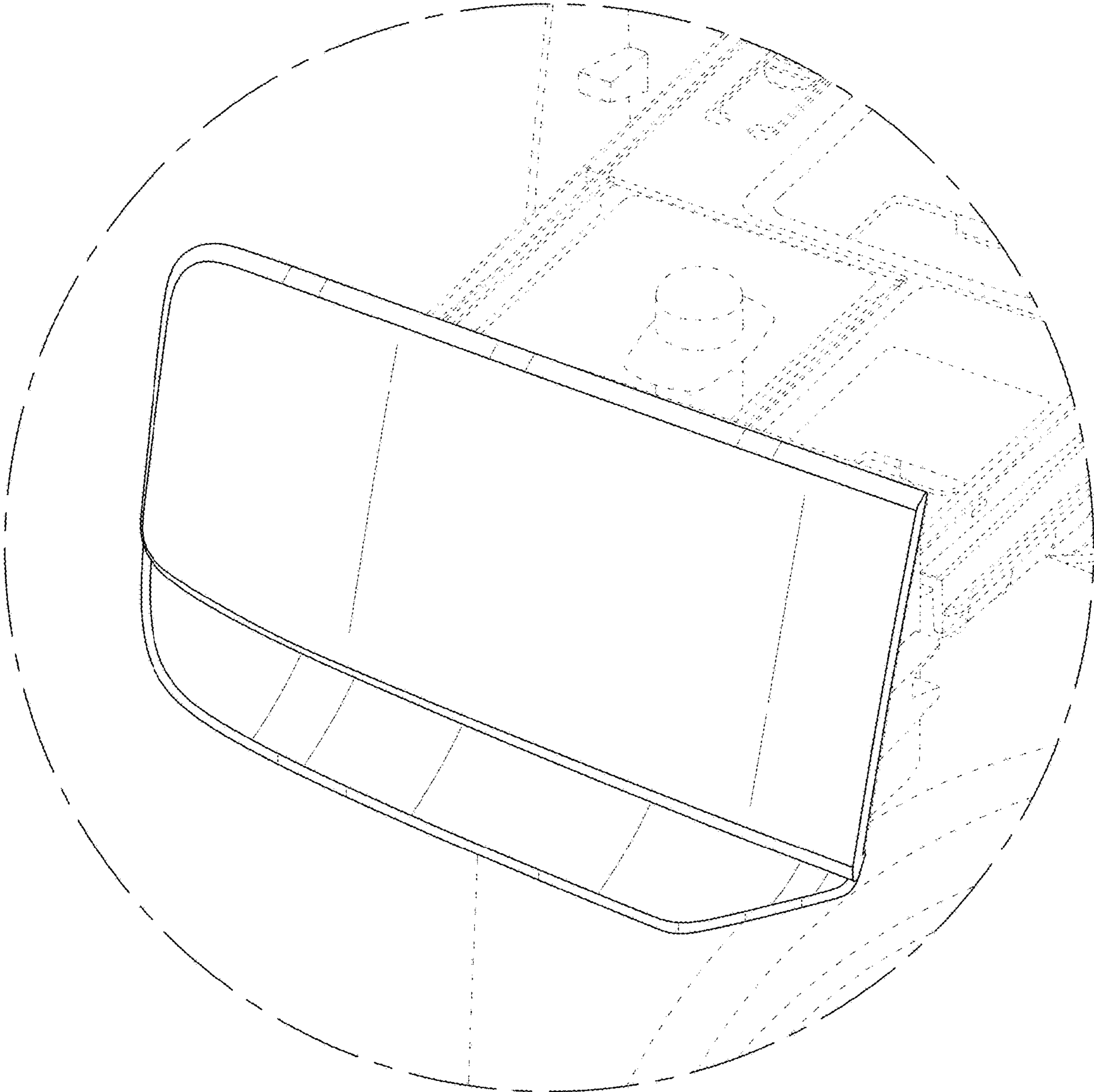


FIG. 9

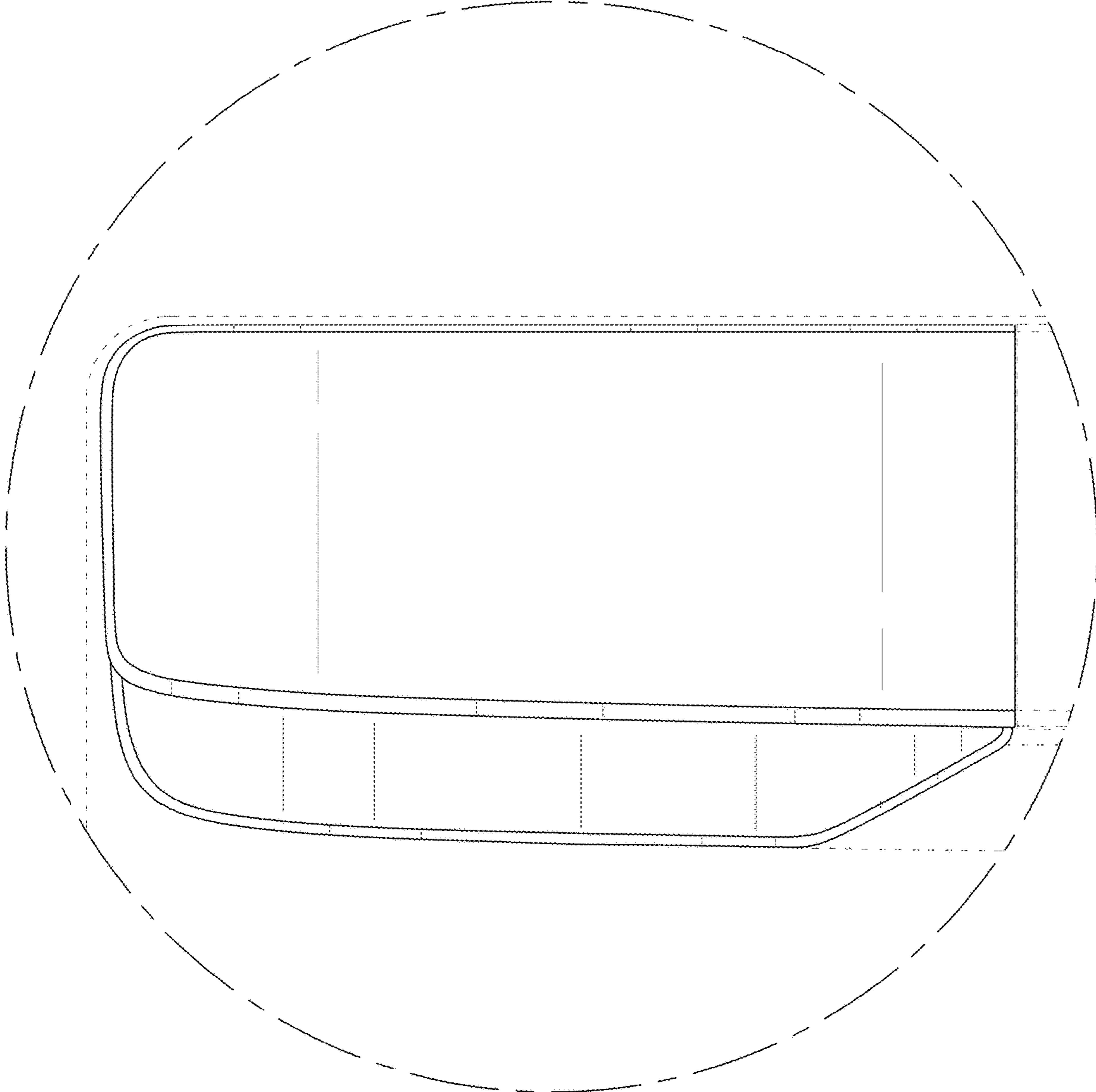


FIG. 10

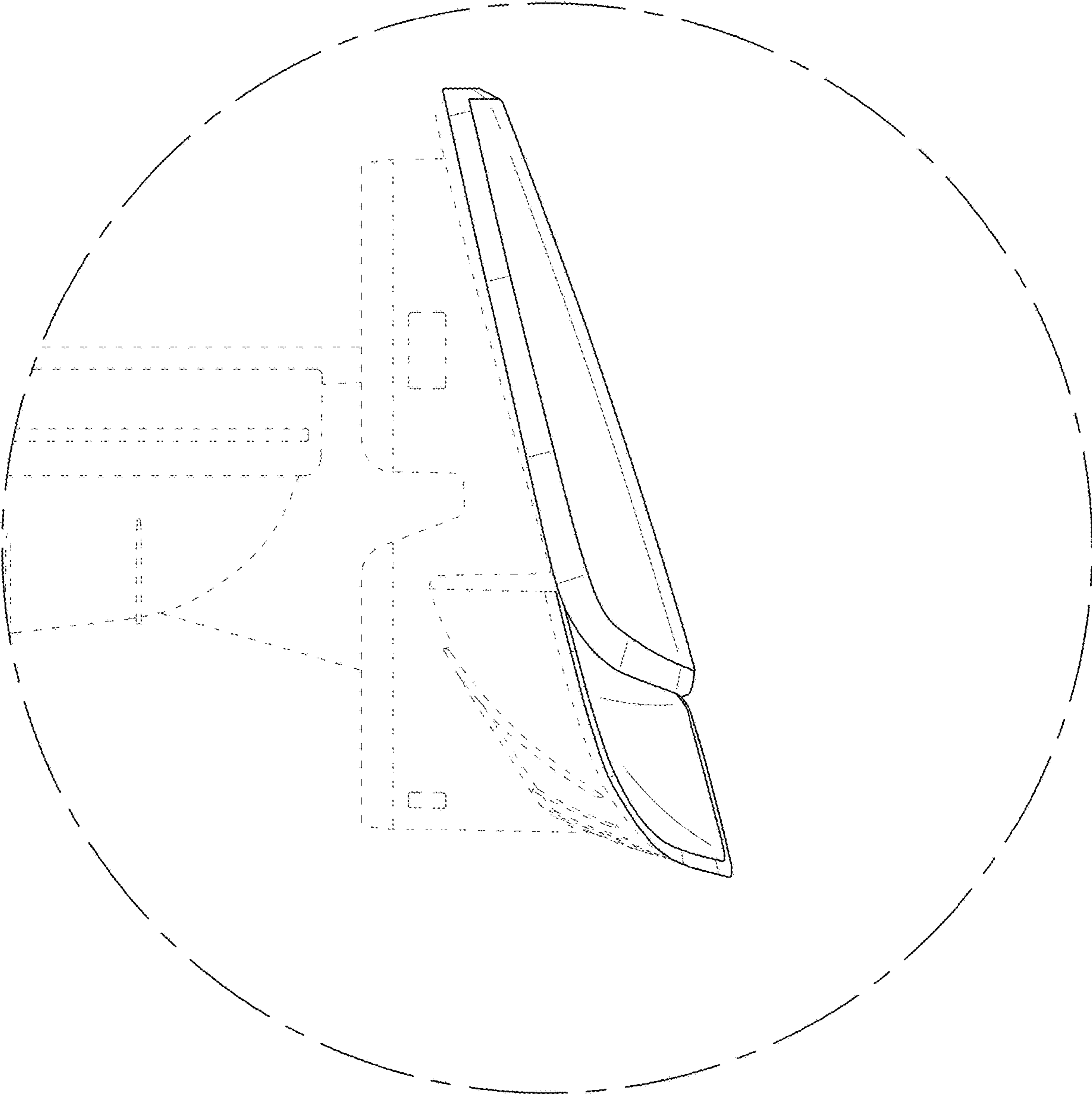


FIG. 11

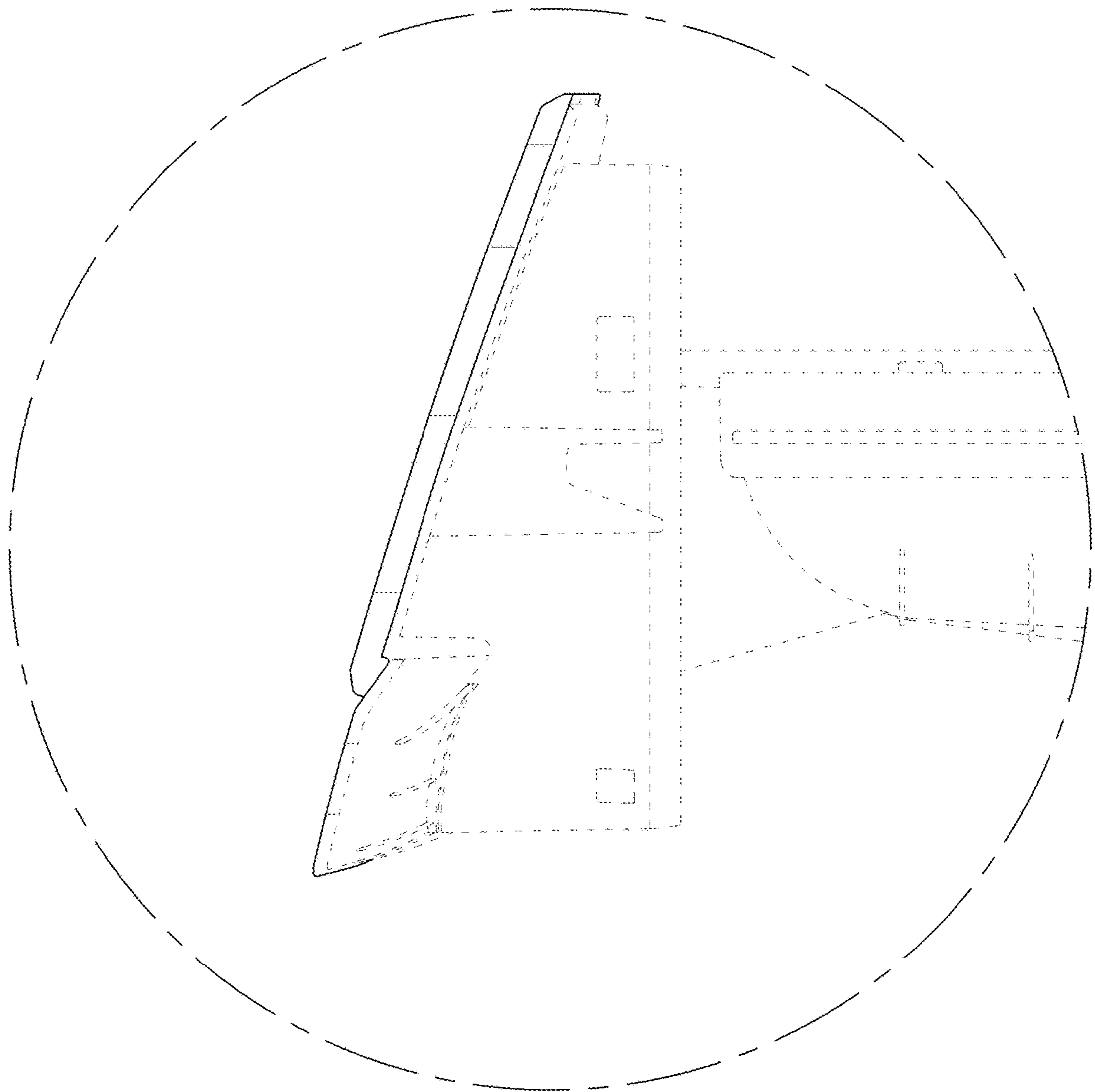


FIG. 12

