



US00D898309S

(12) **United States Design Patent**
Yang

(10) **Patent No.:** **US D898,309 S**
(45) **Date of Patent:** **** Oct. 6, 2020**

(54) **REMOTE CONTROLLED DOG TRAINING DEVICE**

(71) Applicant: **Xiaoni Yang**, Guangdong (CN)

(72) Inventor: **Xiaoni Yang**, Guangdong (CN)

(**) Term: **15 Years**

(21) Appl. No.: **29/692,574**

(22) Filed: **May 28, 2019**

(51) **LOC (12) Cl.** **30-99**

(52) **U.S. Cl.**
USPC **D30/199; D10/104.1**

(58) **Field of Classification Search**

USPC D30/151-155, 144, 199, 160;
119/792-798, 850, 855-859, 863-865,
119/654, 905, 907, 815, 712, 802, 784,
119/769, 760, 776, 862, 908, 860,
119/719-721; 242/381.1-381.2, 385.4,
242/378.3, 376.1, 385.1, 916, 601, 570,
242/405, 404, 371, 223, 170, 388.1,
242/405.2, 377, 381.3, 381.6, 405.3,
242/388.6, 384.7, 382, 396.1, 404.1, 380;
362/108; 33/767, 769, 414; D12/400;
D3/229, 230, 207, 208, 215; 40/1.5, 455,
40/640, 303; 206/63.3, 459.5, 702, 408;
D6/515; D8/358, 360, 347, 360.1, 359,
D8/356, DIG. 1; D24/145, 167, 186, 146,
D24/169; D10/57, 72, 106.1, 104.1,
D10/104.2, 109.2, 70, 97, 98, 78, 65;
D20/28; 224/666, 678; 16/445; 283/74,
283/70; D11/232, 200, 216, 1, 2, 86, 87,
D11/201, 206-210, 212-215, 218;
24/163 K, 122.3, 323, 702, 600.4-600.7,
24/163 R, 169-171, 173, 177-179, 191,
24/94, 195, 197, 200, 303, 616, 635, 313,
24/615, 3, 6, 3 K, 599.2, 96, 221, 237,
24/311, 312, 314, 321, 338, 339, 309;
428/3, 4; 54/76, 1, 71; 63/29.1, 3;
191/12.2 R, 12.4; D13/154, 153, 137.4,

D13/155, 103, 168; D19/69, 67;
379/438; 446/26; 473/576; D22/140;
174/135; 439/504, 13, 501; D34/33;
188/83, 82.1, 65.1; 254/134.3 FT;
D29/124; D2/627, 624, 633, 625;
132/145, 146, 148; 2/314; 59/79.1;
340/573.3, 573.1, 573, 573.4,
340/539.13-539.19; 343/895;
278/8 AES; 231/7; 361/232; D14/344,
D14/341, 137, 155, 496, 203.5, 203.3,
(Continued)

(56) **References Cited**

U.S. PATENT DOCUMENTS

4,612,719 A * 9/1986 de Jong A44B 11/12
40/658
5,434,759 A * 7/1995 Endo G09F 13/22
362/103

(Continued)

Primary Examiner — Susan Moon Lee

(74) *Attorney, Agent, or Firm* — Prakash Nama; Global IP Services, PLLC

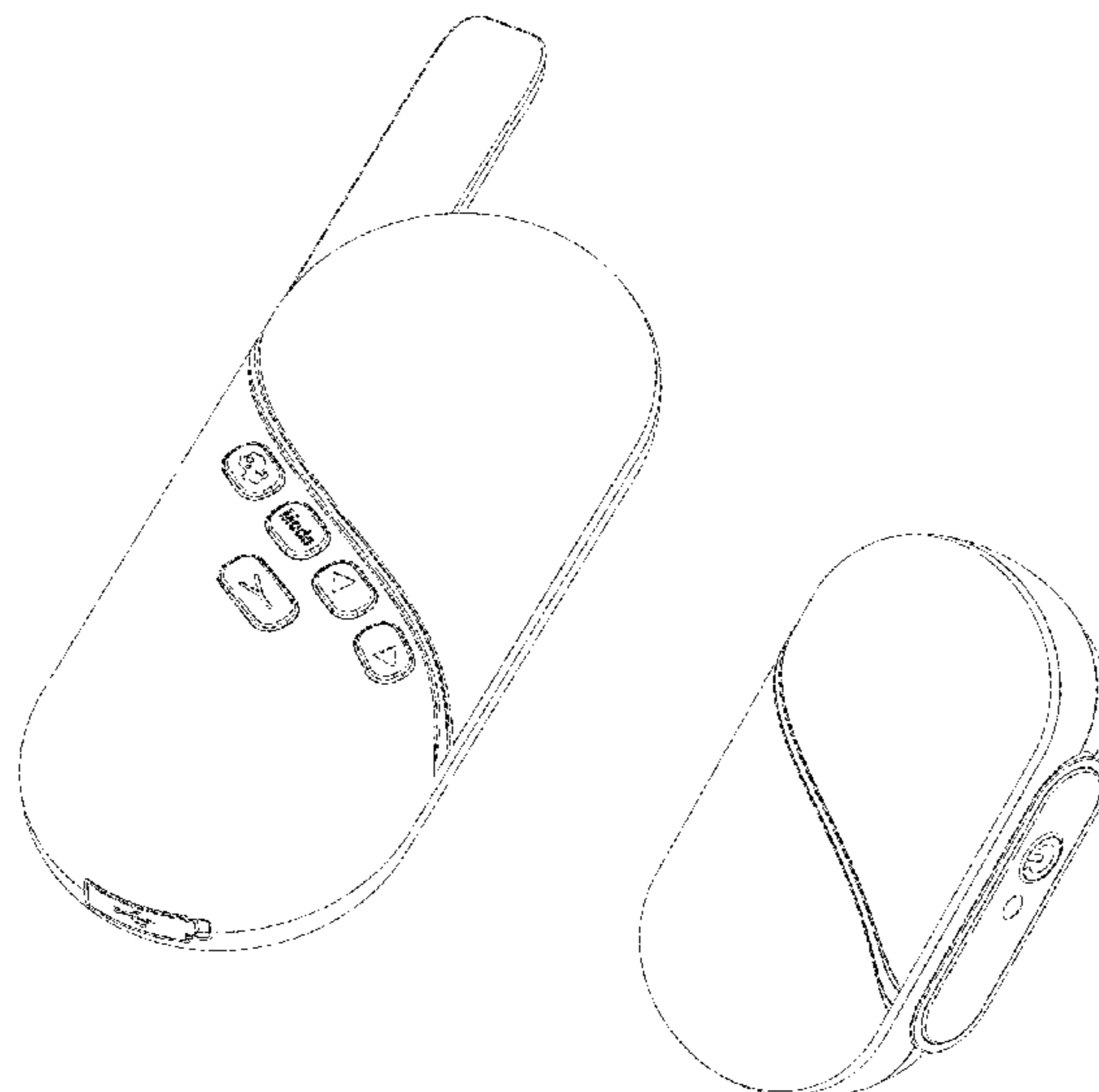
(57) **CLAIM**

The ornamental design for a remote controlled dog training device, as shown.

DESCRIPTION

FIG. 1 is a front elevational view of a remote controlled dog training device showing my new design;
FIG. 2 is a rear elevational view thereof;
FIG. 3 is a left side view thereof;
FIG. 4 is a right side view thereof;
FIG. 5 is a top plan view thereof;
FIG. 6 is a bottom plan view thereof;
FIG. 7 is a perspective view thereof; and,
FIG. 8 is another perspective view thereof.

1 Claim, 8 Drawing Sheets



(58) **Field of Classification Search**
 USPC D14/144, 218, 188, 216, 192;
 342/357.51, 357.57, 357.52, 357.55;
 455/100, 352, 456.1, 550.1; 315/291
 CPC A01K 15/021; A01K 15/02; A01K 15/022;
 A01K 15/023; A01K 15/029; A01K
 15/04; A01K 15/00; A01K 15/006; A01K
 12/022; A01K 27/009; A01K 27/00;
 A01K 27/001; A01K 27/006-008; A01K
 29/005; A01K 29/00; A61B 5/0002-0028;
 A61B 5/681; A61B 5/6822; A61B
 5/6824; A61B 5/6829; G01S 5/0294
 See application file for complete search history.

(56) **References Cited**

U.S. PATENT DOCUMENTS

D387,898 S * 12/1997 Ronzani D3/215
 D389,827 S * 1/1998 Oross D14/137
 D395,882 S * 7/1998 Oross D14/137
 D398,923 S * 9/1998 Tokiyama D14/137
 D400,115 S * 10/1998 Yaron D10/104.1
 D400,458 S * 11/1998 Titus D10/104.1
 D408,396 S * 4/1999 Tyneski D14/137
 D410,206 S * 5/1999 Slater D10/104.1
 D427,177 S * 6/2000 Yamazaki D14/192
 D428,866 S * 8/2000 You D14/137
 D455,411 S * 4/2002 Wong D14/137
 D460,368 S * 7/2002 Apotheloz D10/70
 D462,916 S * 9/2002 Fleetwood D10/104.1
 6,474,269 B2 * 11/2002 So A01K 15/021
 119/719
 D472,826 S * 4/2003 Sanoner D10/70
 6,598,563 B2 * 7/2003 Kim A01K 15/021
 119/719
 D479,831 S * 9/2003 Ng D14/137
 D480,694 S * 10/2003 Heath D10/104.1
 D481,023 S * 10/2003 Heath D10/104.1
 D497,149 S * 10/2004 Daniels D10/104.1
 6,860,240 B2 * 3/2005 Kim A01K 15/021
 119/718
 D510,046 S * 9/2005 Li D10/106.1
 D510,333 S * 10/2005 Lodato D14/138 AB
 D520,894 S * 5/2006 Zakharyan D30/199
 D523,998 S * 6/2006 Nottingham D10/104.1
 D545,790 S * 7/2007 Jameson D10/104.1
 D545,791 S * 7/2007 Jameson D10/104.1
 D571,768 S * 6/2008 Shi D14/138 AA
 D572,220 S * 7/2008 Tran D14/137
 D573,564 S * 7/2008 Goetzl D10/104.1
 D576,127 S * 9/2008 Tran D14/137
 7,552,699 B2 * 6/2009 Moore A01K 15/021
 119/719
 D615,438 S * 5/2010 Goetzl D10/104.1
 D622,685 S * 8/2010 Garra D14/137
 D632,269 S * 2/2011 Garra D14/137
 D649,135 S * 11/2011 Hocherman D14/159
 D657,098 S * 4/2012 So D30/152
 8,181,607 B2 * 5/2012 Kim A01K 15/021
 119/720
 D665,952 S * 8/2012 Guo D30/152
 D673,334 S * 12/2012 Guo D30/152
 D676,136 S * 2/2013 Arimitsu D24/186
 D679,673 S * 4/2013 Wheaton D14/137
 D685,757 S * 7/2013 Liu D14/155
 D706,159 S * 6/2014 Ma D11/3
 D706,500 S * 6/2014 Hu D30/152
 D711,758 S * 8/2014 Heath D10/104.1
 8,803,692 B2 * 8/2014 Goetzl A01K 27/009
 340/573.3
 8,833,309 B2 * 9/2014 So A01K 15/021
 119/712
 D715,675 S * 10/2014 Ma D11/3
 8,881,686 B2 * 11/2014 So A01K 15/021
 119/712

8,887,670 B2 * 11/2014 So A01K 15/021
 119/712
 D721,861 S * 1/2015 Guo D10/104.1
 D726,052 S * 4/2015 Henning D10/70
 D737,004 S * 8/2015 Russell D30/199
 D740,950 S * 10/2015 Osness D24/186
 D742,817 S * 11/2015 Lammers-Meis D13/103
 9,332,812 B2 * 5/2016 Ma A44C 15/0015
 D759,908 S * 6/2016 Russell D30/199
 D771,327 S * 11/2016 Hu D10/104.1
 D774,935 S * 12/2016 Liu D10/104.1
 9,578,856 B2 * 2/2017 Van Curen A01K 15/023
 D798,003 S * 9/2017 Dong D30/199
 D801,840 S * 11/2017 Dwyer D10/104.1
 D805,701 S * 12/2017 Li D30/199
 9,861,076 B2 * 1/2018 Rochelle A01K 15/023
 9,861,080 B1 * 1/2018 Hathway A01K 27/009
 D811,016 S * 2/2018 Liu D30/152
 D812,499 S * 3/2018 Kuh D10/70
 D813,473 S * 3/2018 Ni D30/199
 D816,918 S * 5/2018 Li D30/152
 D819,280 S * 5/2018 Li D30/199
 D822,516 S * 7/2018 Van Curen D10/104.1
 D822,915 S * 7/2018 McKee D30/152
 D822,921 S * 7/2018 Wen D30/199
 D835,364 S * 12/2018 Lee D30/199
 D835,860 S * 12/2018 Li D30/199
 10,159,219 B2 * 12/2018 Van Curen A01K 15/022
 D858,904 S * 9/2019 Zinn D30/152
 D864,138 S * 10/2019 Attwood D14/137
 D879,390 S * 3/2020 Cai D30/199
 D881,486 S * 4/2020 Li D30/199
 D883,829 S * 5/2020 Nytko D10/104.1
 D884,995 S * 5/2020 Ni D30/199
 10,653,114 B2 * 5/2020 So A01K 27/001
 2005/0059909 A1 * 3/2005 Burgess A61F 7/007
 601/15
 2005/0145196 A1 * 7/2005 Crist A01K 15/022
 119/718
 2005/0145200 A1 * 7/2005 Napolez A01K 15/022
 119/718
 2005/0211187 A1 * 9/2005 Harman A01K 15/023
 119/721
 2006/0000194 A1 * 1/2006 Duncan A01K 27/009
 54/71
 2006/0112901 A1 * 6/2006 Gomez A01K 15/023
 119/721
 2006/0207520 A1 * 9/2006 Moore A01K 27/009
 119/720
 2006/0220880 A1 * 10/2006 Yasur G08B 21/22
 340/573.1
 2007/0012260 A1 * 1/2007 Boyd A01K 11/00
 119/720
 2007/0221138 A1 * 9/2007 Mainini A01K 27/009
 119/720
 2007/0221140 A1 * 9/2007 Warren A01K 11/008
 119/859
 2008/0036610 A1 * 2/2008 Hokuf A01K 15/021
 340/573.3
 2009/0205583 A1 * 8/2009 So A01K 15/021
 119/719
 2010/0154721 A1 * 6/2010 Gerig A01K 15/021
 119/719
 2011/0030622 A1 * 2/2011 So A01K 15/021
 119/719
 2011/0232585 A1 * 9/2011 Rich G01S 5/14
 119/721
 2012/0160181 A1 * 6/2012 So A01K 15/021
 119/720
 2012/0160182 A1 * 6/2012 So A01K 15/021
 119/720
 2012/0160183 A1 * 6/2012 So A01K 15/021
 119/720
 2012/0272924 A1 * 11/2012 So A01K 15/021
 119/720
 2013/0027207 A1 * 1/2013 Goetzl H01Q 1/40
 340/573.3

(56)

References Cited

U.S. PATENT DOCUMENTS

| | | | | |
|--------------|------|---------|-----------------|-------------------------|
| 2013/0112153 | A1 * | 5/2013 | So | A01K 15/021 119/720 |
| 2013/0197720 | A1 * | 8/2013 | Kraimer | G05D 1/0016 701/2 |
| 2013/0233252 | A1 * | 9/2013 | Bellon | A01K 15/029 119/720 |
| 2013/0239904 | A1 * | 9/2013 | Kim | A01K 15/023 119/719 |
| 2013/0239905 | A1 * | 9/2013 | Kim | A01K 15/023 119/720 |
| 2014/0261233 | A1 * | 9/2014 | So | A01K 27/009 119/720 |
| 2014/0320347 | A1 * | 10/2014 | Rochelle | A01K 15/023 342/385 |
| 2015/0033794 | A1 * | 2/2015 | Ma | A01K 27/006 63/1.13 |
| 2015/0040839 | A1 * | 2/2015 | Goetzl | A01K 27/009 119/720 |
| 2015/0128878 | A1 * | 5/2015 | Van Curen | G06K 9/00671 119/721 |
| 2016/0100552 | A1 * | 4/2016 | So | A01K 27/001 119/719 |
| 2018/0132450 | A1 * | 5/2018 | Goetzl | A01K 15/021 |
| 2018/0153138 | A1 * | 6/2018 | Goetzl | A01K 15/029 |

* cited by examiner

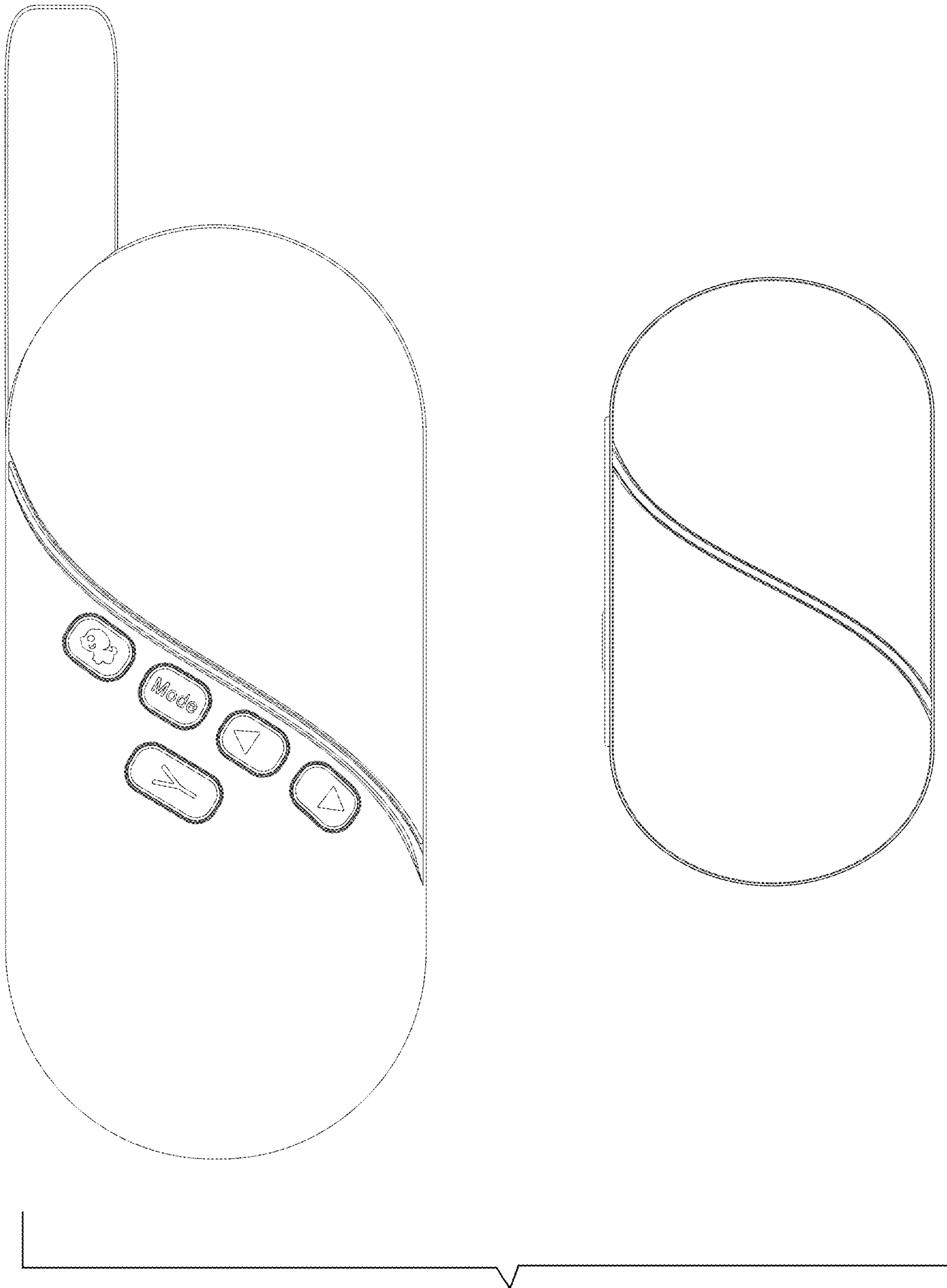


Fig. 1

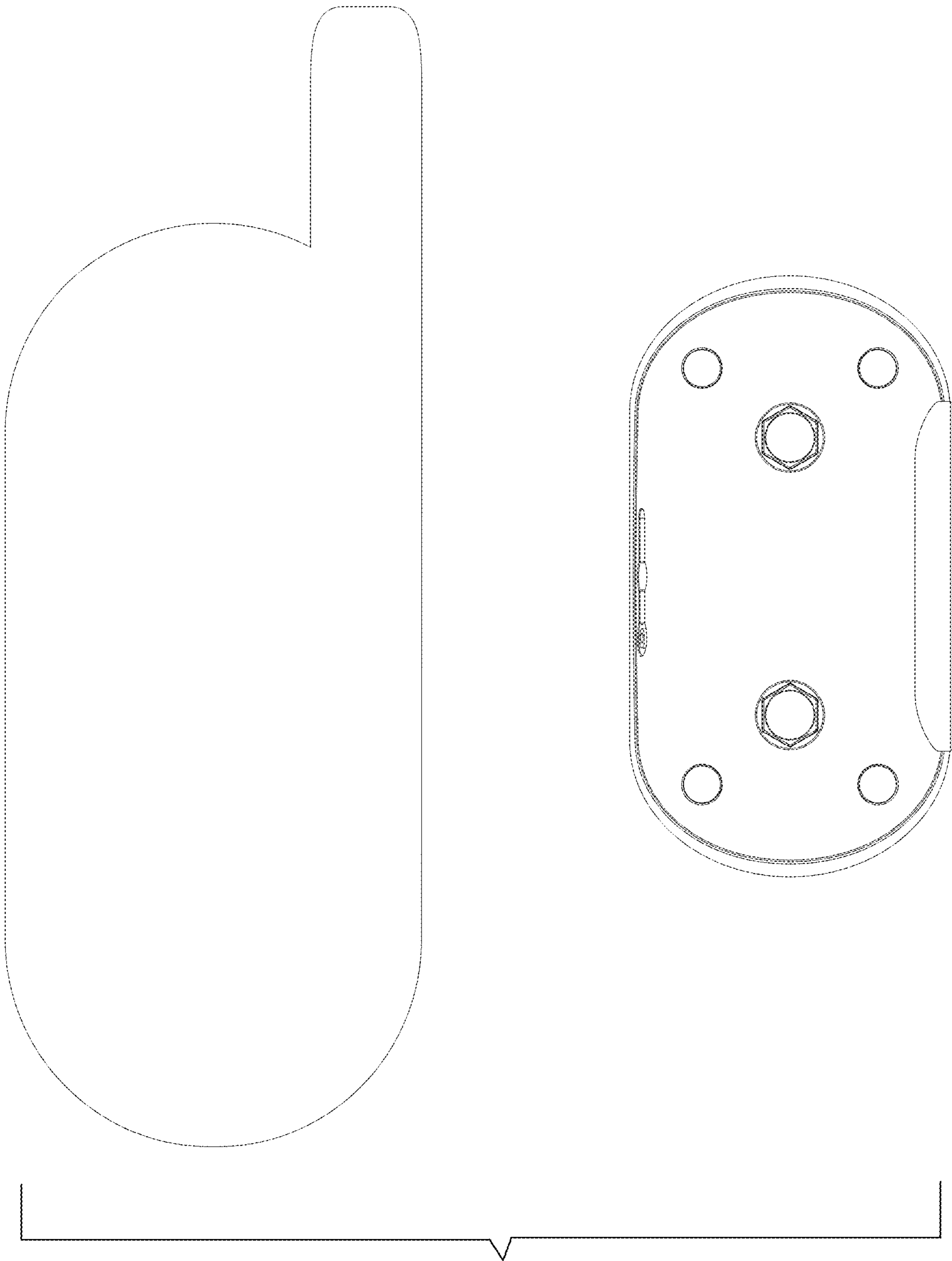


Fig. 2

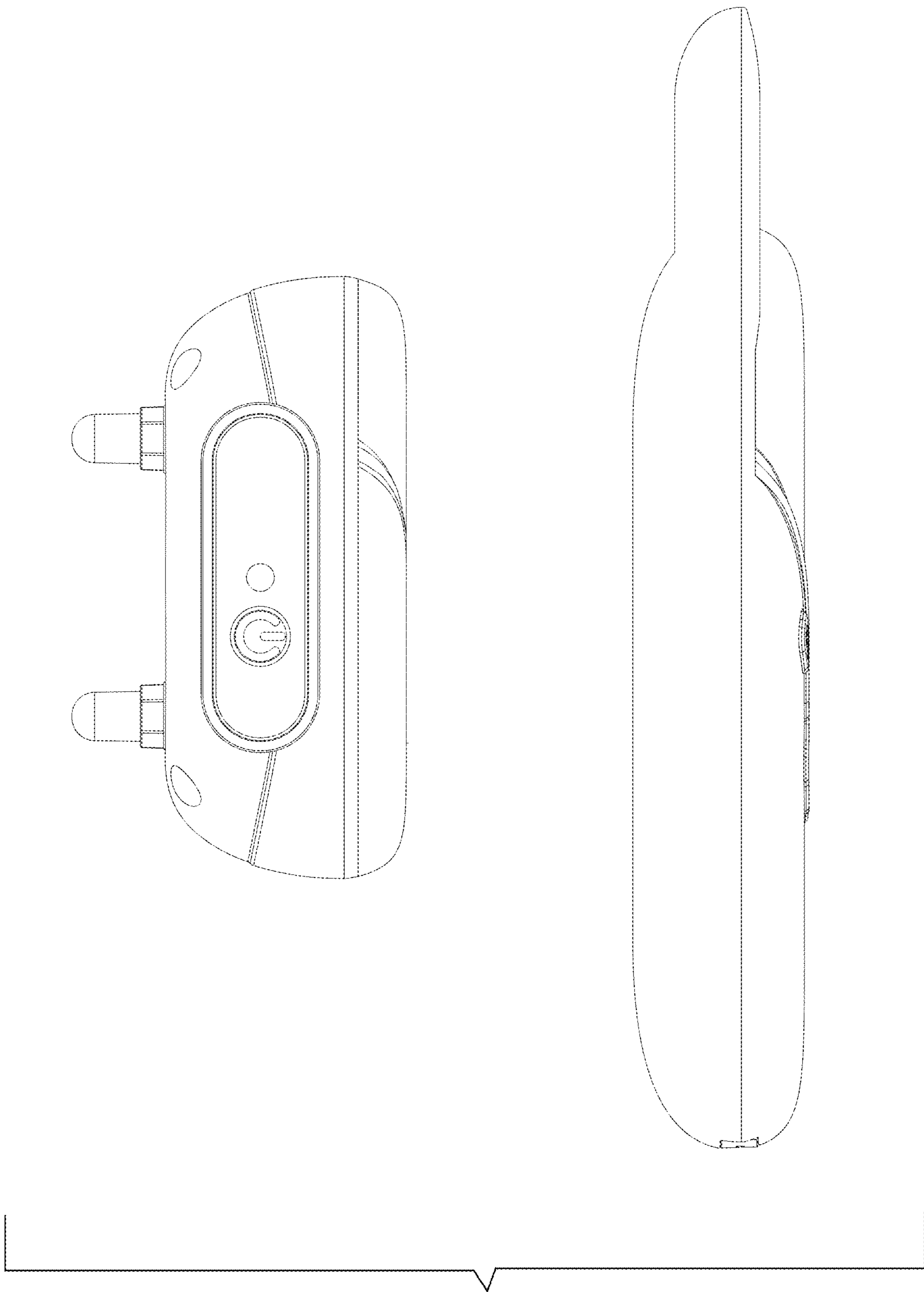


Fig. 3

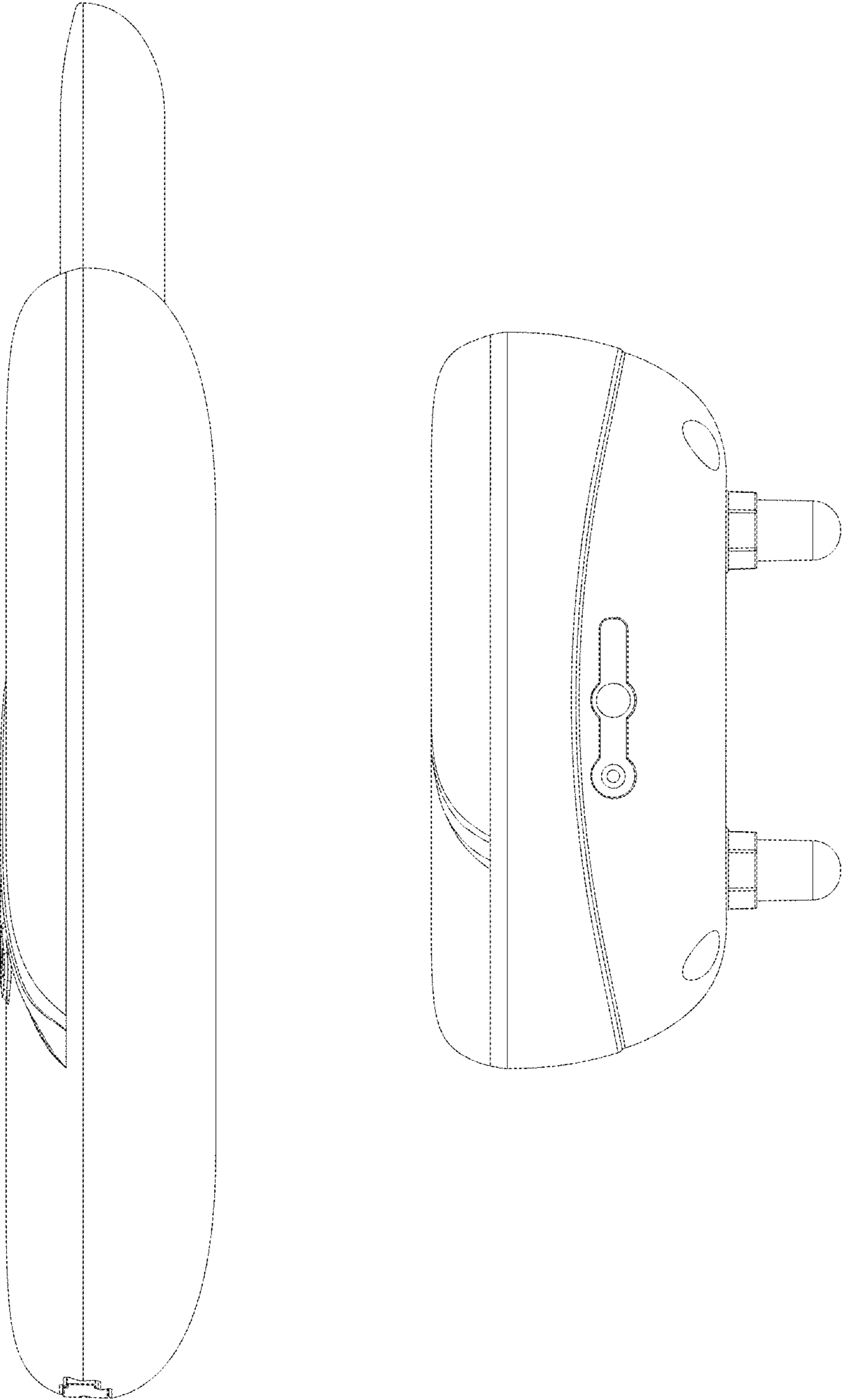


Fig. 4

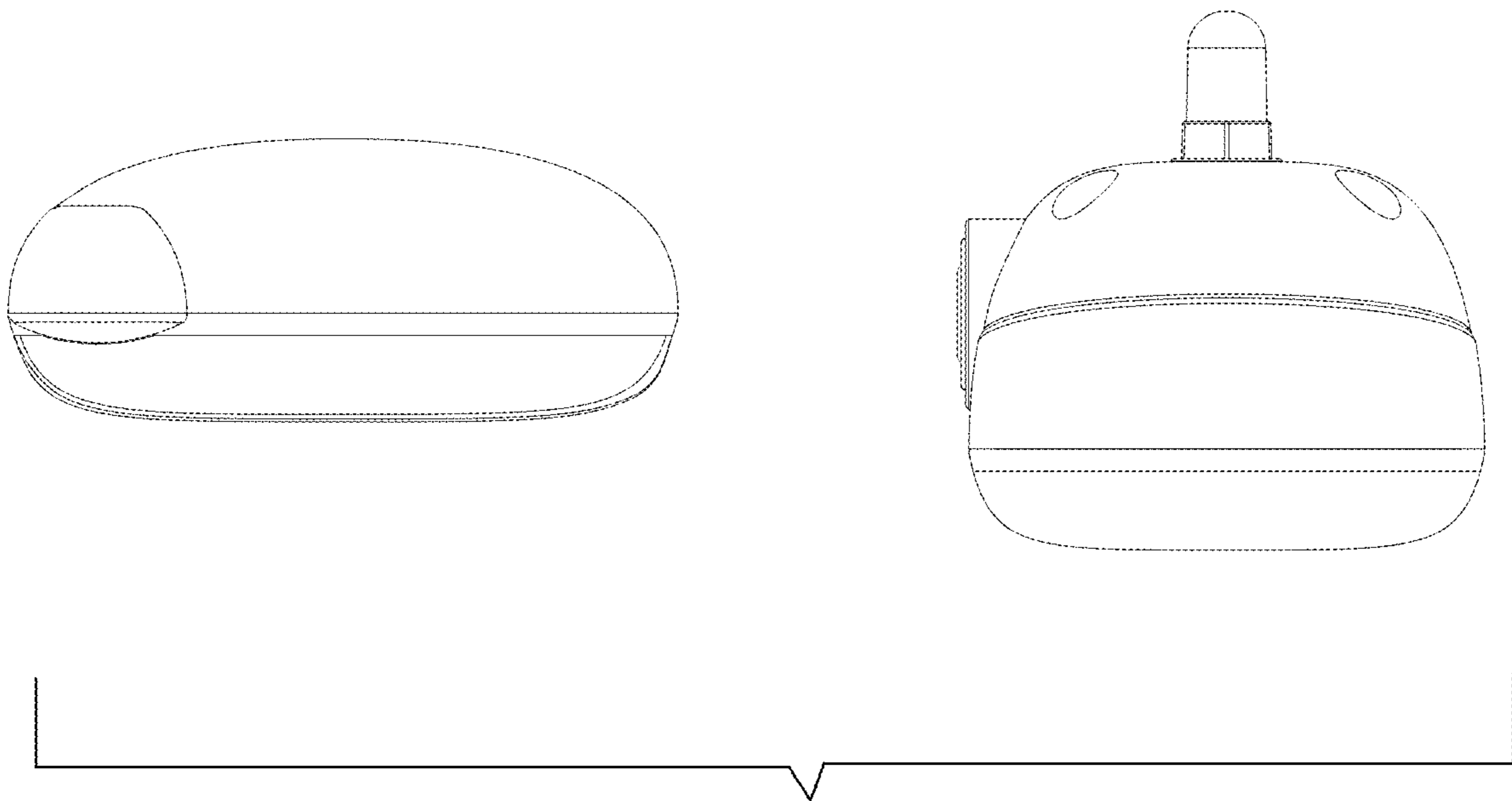


Fig. 5

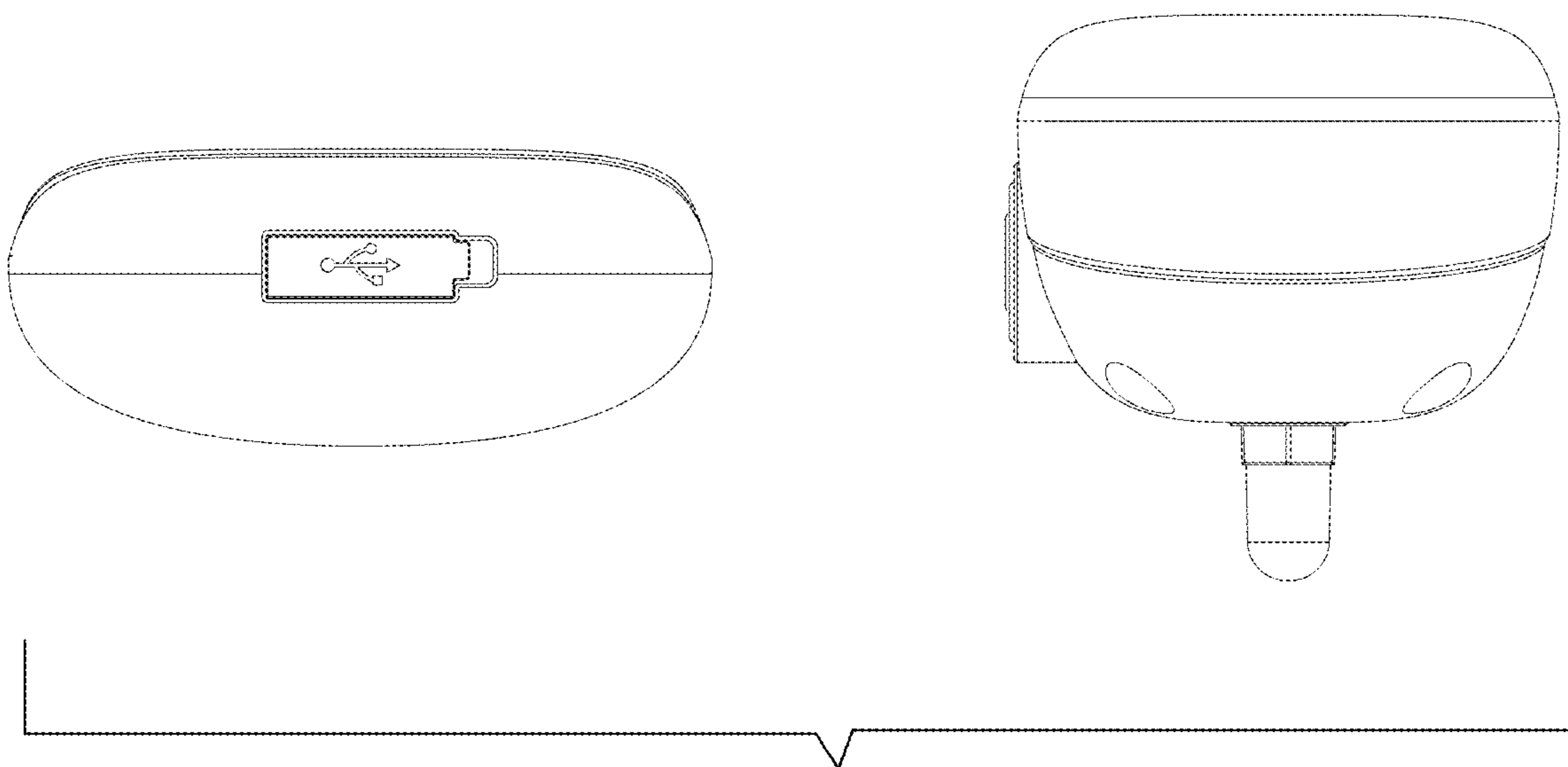


Fig. 6

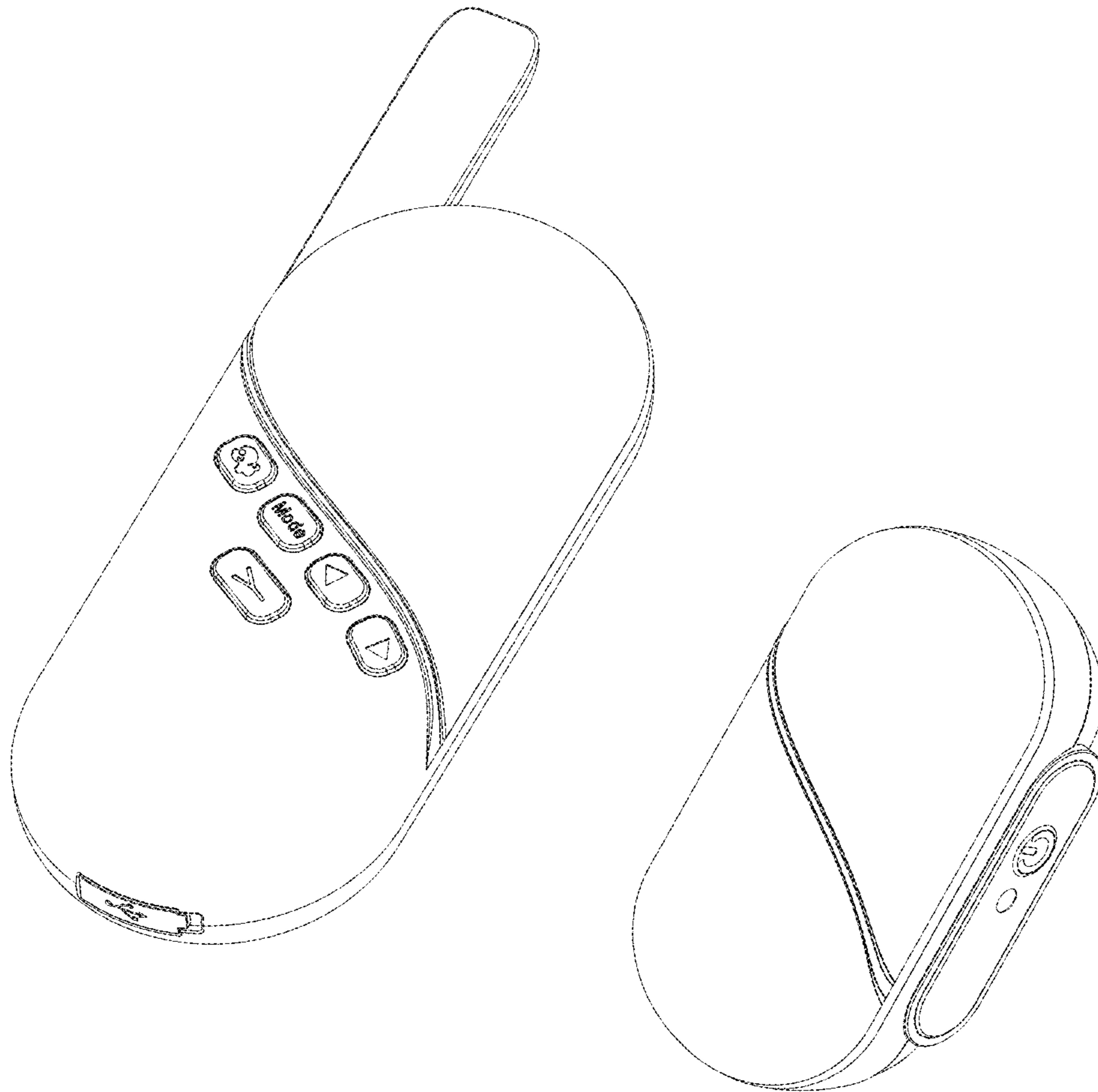


Fig. 7

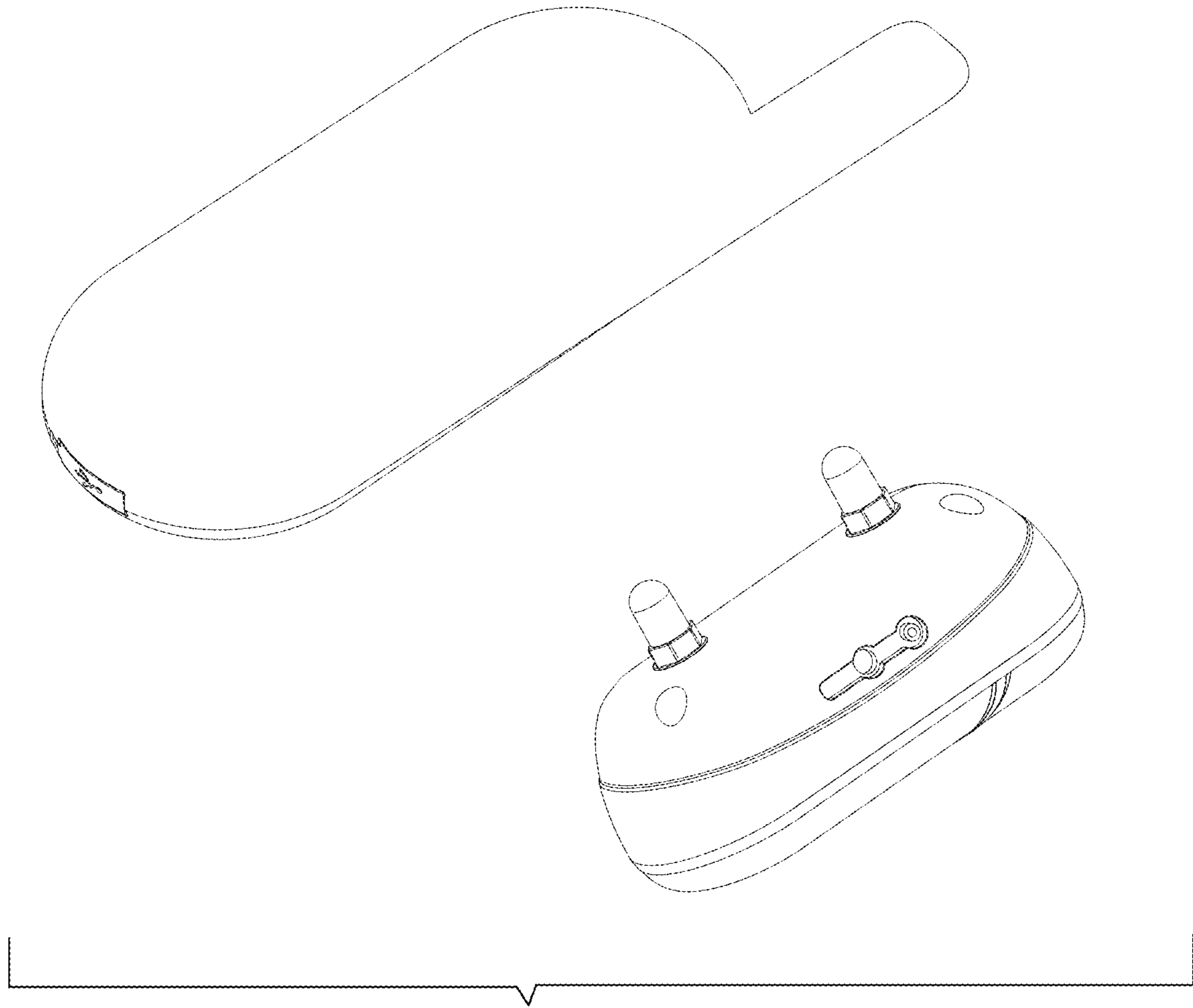


Fig. 8