



US00D898307S

(12) **United States Design Patent**  
**Yang**

(10) **Patent No.:** **US D898,307 S**

(45) **Date of Patent:** **\*\* Oct. 6, 2020**

(54) **REMOTE CONTROLLED DOG TRAINING DEVICE**

(71) Applicant: **Xiaoni Yang**, Guangdong (CN)

(72) Inventor: **Xiaoni Yang**, Guangdong (CN)

(\*\*) Term: **15 Years**

(21) Appl. No.: **29/692,571**

(22) Filed: **May 28, 2019**

(51) **LOC (12) Cl.** ..... **30-99**

(52) **U.S. Cl.**  
USPC ..... **D30/199; D10/104.1**

(58) **Field of Classification Search**

USPC ..... D30/151-155, 144, 199, 160;  
119/792-798, 850, 855-859, 863-865,  
119/654, 905, 907, 815, 712, 802, 784,  
119/769, 760, 776, 862, 908, 860,  
119/719-721; 242/381.1-381.2, 385.4,  
242/378.3, 376.1, 385.1, 916, 601, 570,  
242/405, 404, 371, 223, 170, 388.1,  
242/405.2, 377, 381.3, 381.6, 405.3,  
242/388.6, 384.7, 382, 396.1, 404.1, 380;  
362/108; 33/767, 769, 414; D12/400;  
D3/229, 230, 207, 208, 215; 40/1.5, 455,  
40/640, 303; 206/63.3, 459.5, 702, 408;  
D6/515; D8/358, 360, 347, 360.1, 359,  
D8/356, DIG. 1; D24/145, 167, 186, 146,  
D24/169; D10/57, 72, 106.1, 104.1,  
D10/104.2, 109.2, 70, 97, 98, 78, 65;  
D20/28; 224/666, 678; 16/445; 283/74,  
283/70; D11/232, 200, 216, 1, 2, 86, 87,  
D11/201, 206-210, 212-215, 218;  
24/163 K, 122.3, 323, 702, 600.4-600.7,  
24/163 R, 169-171, 173, 177-179, 191,  
24/194, 195, 197, 200, 303, 616, 635,  
24/313, 615, 3, 6, 3 K, 599.2, 96, 221,  
24/237, 311, 312, 314, 321, 338, 339,  
24/309; 428/3, 4; 54/76, 1, 71; 63/29.1,  
63/3; 191/12.2 R, 12.4; D13/154, 153,

D13/137.4, 155, 103, 168; D19/69, 67;  
379/438; 446/26; 473/576; D22/140;  
174/135; 439/504, 13, 501; D34/33;  
188/83, 82.1, 65.1; 254/134.3 FT;  
D29/124; D2/627, 624, 633, 625;  
132/145, 146, 148; 2/314; 59/79.1;  
340/573.3, 573.1, 573, 573.4,  
340/539.13-539.19; 343/895;  
278/8 AES; 231/7; 361/232; D14/344,  
D14/341, 137, 155, 496, 203.5, 203.3,  
(Continued)

(56) **References Cited**

U.S. PATENT DOCUMENTS

4,612,719 A \* 9/1986 de Jong ..... A44B 11/12  
40/658  
5,434,759 A \* 7/1995 Endo ..... G09F 13/22  
362/103

(Continued)

*Primary Examiner* — Susan Moon Lee

(74) *Attorney, Agent, or Firm* — Prakash Nama; Global IP Services, PLLC

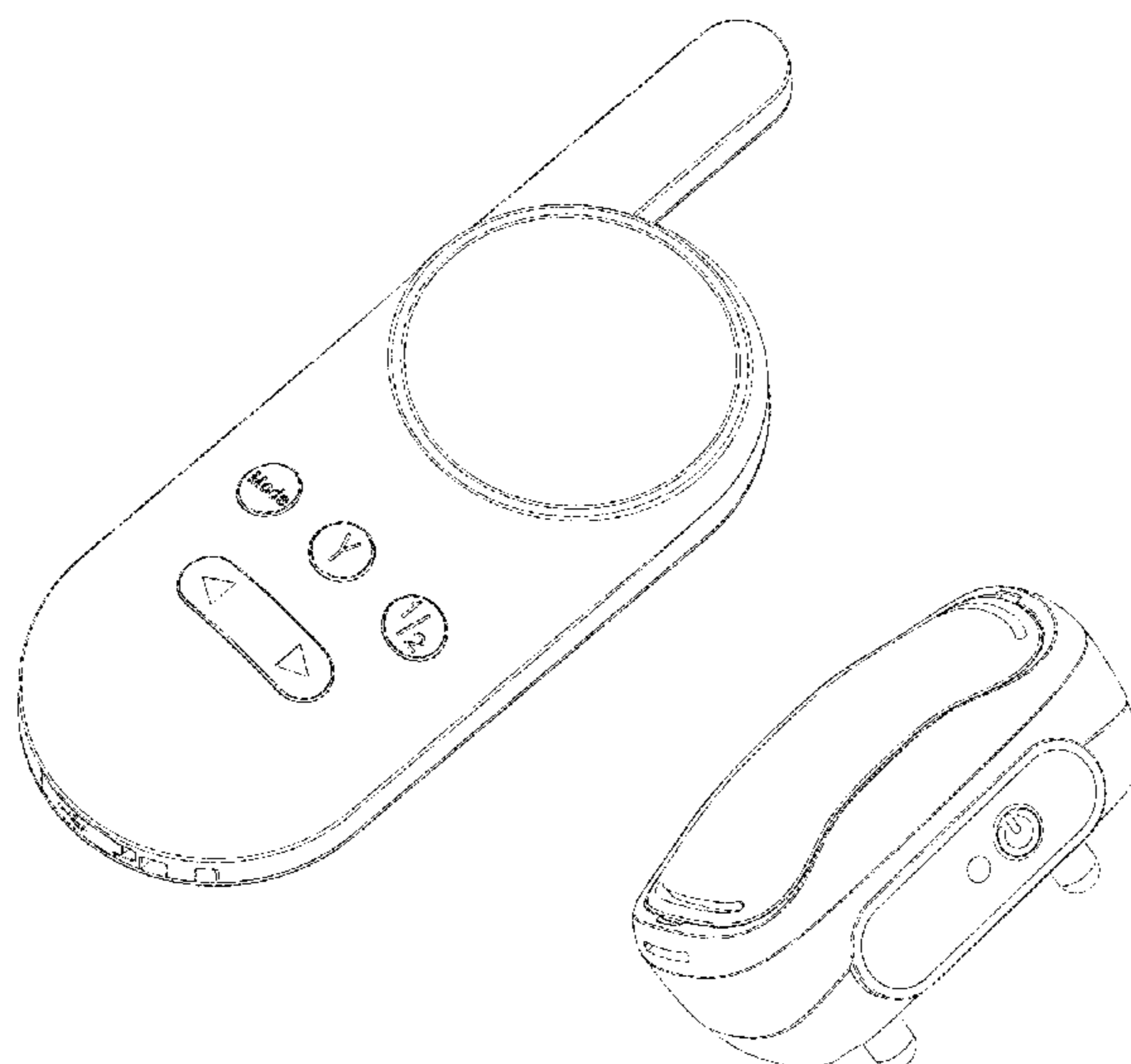
(57) **CLAIM**

The ornamental design for a remote controlled dog training device, as shown.

**DESCRIPTION**

FIG. 1 is a front elevational view of a remote controlled dog training device showing my new design;  
FIG. 2 is a rear elevational view thereof;  
FIG. 3 is a left side view thereof;  
FIG. 4 is a right side view thereof;  
FIG. 5 is a top plan view thereof;  
FIG. 6 is a bottom plan view thereof;  
FIG. 7 is a perspective view thereof; and,  
FIG. 8 is another perspective view thereof.

**1 Claim, 8 Drawing Sheets**



(58) **Field of Classification Search**  
 USPC ..... D14/144, 218, 188, 216, 192;  
 342/357.51, 357.57, 357.52, 357.55;  
 455/100, 352, 456.1, 550.1; 315/291  
 CPC .... A01K 15/021; A01K 15/02; A01K 15/022;  
 A01K 15/023; A01K 15/029; A01K  
 15/04; A01K 15/00; A01K 15/006; A01K  
 12/022; A01K 27/009; A01K 27/00;  
 A01K 27/001; A01K 27/006-008; A01K  
 29/005; A01K 29/00; A61B 5/0002-0028;  
 A61B 5/681; A61B 5/6822; A61B  
 5/6824; A61B 5/6829; G01S 5/0294  
 See application file for complete search history.

(56) **References Cited**

U.S. PATENT DOCUMENTS

D387,898 S \* 12/1997 Ronzani ..... D3/215  
 D389,827 S \* 1/1998 Oross ..... D14/137  
 D395,882 S \* 7/1998 Oross ..... D14/137  
 D398,923 S \* 9/1998 Tokiyama ..... D14/137  
 D400,115 S \* 10/1998 Yaron ..... D10/104.1  
 D400,458 S \* 11/1998 Titus ..... D10/104.1  
 D408,396 S \* 4/1999 Tyneski ..... D14/137  
 D410,206 S \* 5/1999 Slater ..... D10/104.1  
 D427,177 S \* 6/2000 Yamazaki ..... D14/192  
 D428,866 S \* 8/2000 You ..... D14/137  
 D455,411 S \* 4/2002 Wong ..... D14/137  
 D460,368 S \* 7/2002 Apotheloz ..... D10/70  
 D462,916 S \* 9/2002 Fleetwood ..... D10/104.1  
 6,474,269 B2 \* 11/2002 So ..... A01K 15/021  
 119/719  
 D472,826 S \* 4/2003 Sanoner ..... D10/70  
 6,598,563 B2 \* 7/2003 Kim ..... A01K 15/021  
 119/719  
 D479,831 S \* 9/2003 Ng ..... D14/137  
 D480,694 S \* 10/2003 Heath ..... D10/104.1  
 D481,023 S \* 10/2003 Heath ..... D10/104.1  
 D497,149 S \* 10/2004 Daniels ..... D10/104.1  
 6,860,240 B2 \* 3/2005 Kim ..... A01K 15/021  
 119/718  
 D510,046 S \* 9/2005 Li ..... D10/106.1  
 D510,333 S \* 10/2005 Lodato ..... D14/138 AB  
 D520,894 S \* 5/2006 Zakharyan ..... D30/199  
 D523,998 S \* 6/2006 Nottingham ..... D10/104.1  
 D545,790 S \* 7/2007 Jameson ..... D10/104.1  
 D545,791 S \* 7/2007 Jameson ..... D10/104.1  
 D571,768 S \* 6/2008 Shi ..... D14/138 AA  
 D572,220 S \* 7/2008 Tran ..... D14/137  
 D573,564 S \* 7/2008 Goetzl ..... D10/104.1  
 D576,127 S \* 9/2008 Tran ..... D14/137  
 7,552,699 B2 \* 6/2009 Moore ..... A01K 15/021  
 119/719  
 D615,438 S \* 5/2010 Goetzl ..... D10/104.1  
 D622,685 S \* 8/2010 Garra ..... D14/137  
 D632,269 S \* 2/2011 Garra ..... D14/137  
 D649,135 S \* 11/2011 Hocherman ..... D14/159  
 D657,098 S \* 4/2012 So ..... D30/152  
 8,181,607 B2 \* 5/2012 Kim ..... A01K 15/021  
 119/720  
 D665,952 S \* 8/2012 Guo ..... D30/152  
 D673,334 S \* 12/2012 Guo ..... D30/152  
 D676,136 S \* 2/2013 Arimitsu ..... D24/186  
 D679,673 S \* 4/2013 Wheaton ..... D14/137  
 D685,757 S \* 7/2013 Liu ..... D14/155  
 D706,159 S \* 6/2014 Ma ..... D11/3  
 D706,500 S \* 6/2014 Hu ..... D30/152  
 D711,758 S \* 8/2014 Heath ..... D10/104.1  
 8,803,692 B2 \* 8/2014 Goetzl ..... A01K 27/009  
 340/573.3  
 8,833,309 B2 \* 9/2014 So ..... A01K 15/021  
 119/712  
 D715,675 S \* 10/2014 Ma ..... D11/3  
 8,881,686 B2 \* 11/2014 So ..... A01K 15/021  
 119/712

8,887,670 B2 \* 11/2014 So ..... A01K 15/021  
 119/712  
 D721,861 S \* 1/2015 Guo ..... D10/104.1  
 D726,052 S \* 4/2015 Henning ..... D10/70  
 D737,004 S \* 8/2015 Russell ..... D30/199  
 D740,950 S \* 10/2015 Osness ..... D24/186  
 D742,817 S \* 11/2015 Lammers-Meis ..... D13/103  
 9,332,812 B2 \* 5/2016 Ma ..... A44C 15/0015  
 D759,908 S \* 6/2016 Russell ..... D30/199  
 D771,327 S \* 11/2016 Hu ..... D10/104.1  
 D774,935 S \* 12/2016 Liu ..... D10/104.1  
 9,578,856 B2 \* 2/2017 Van Curen ..... A01K 15/023  
 D798,003 S \* 9/2017 Dong ..... D30/199  
 D801,840 S \* 11/2017 Dwyer ..... D10/104.1  
 D805,701 S \* 12/2017 Li ..... D30/199  
 9,861,076 B2 \* 1/2018 Rochelle ..... A01K 15/023  
 9,861,080 B1 \* 1/2018 Hathway ..... A01K 27/009  
 D811,016 S \* 2/2018 Liu ..... D30/152  
 D812,499 S \* 3/2018 Kuh ..... D10/70  
 D813,473 S \* 3/2018 Ni ..... D30/199  
 D816,918 S \* 5/2018 Li ..... D30/152  
 D819,280 S \* 5/2018 Li ..... D30/199  
 D822,516 S \* 7/2018 Van Curen ..... D10/104.1  
 D822,915 S \* 7/2018 McKee ..... D30/152  
 D822,921 S \* 7/2018 Wen ..... D30/199  
 D835,364 S \* 12/2018 Lee ..... D30/199  
 D835,860 S \* 12/2018 Li ..... D30/199  
 10,159,219 B2 \* 12/2018 Van Curen ..... A01K 15/022  
 D858,904 S \* 9/2019 Zinn ..... D30/152  
 D864,138 S \* 10/2019 Attwood ..... D14/137  
 D879,390 S \* 3/2020 Cai ..... D30/199  
 D881,486 S \* 4/2020 Li ..... D30/199  
 D883,829 S \* 5/2020 Nytko ..... D10/104.1  
 D884,995 S \* 5/2020 Ni ..... D30/199  
 10,653,114 B2 \* 5/2020 So ..... A01K 27/001  
 2005/0059909 A1 \* 3/2005 Burgess ..... A61F 7/007  
 601/15  
 2005/0145196 A1 \* 7/2005 Crist ..... A01K 15/022  
 119/718  
 2005/0145200 A1 \* 7/2005 Napolez ..... A01K 15/022  
 119/718  
 2005/0211187 A1 \* 9/2005 Harman ..... A01K 15/023  
 119/721  
 2006/0000194 A1 \* 1/2006 Duncan ..... A01K 27/009  
 54/71  
 2006/0112901 A1 \* 6/2006 Gomez ..... A01K 15/023  
 119/721  
 2006/0207520 A1 \* 9/2006 Moore ..... A01K 27/009  
 119/720  
 2006/0220880 A1 \* 10/2006 Yasur ..... G08B 21/22  
 340/573.1  
 2007/0012260 A1 \* 1/2007 Boyd ..... A01K 11/00  
 119/720  
 2007/0221138 A1 \* 9/2007 Mainini ..... A01K 27/009  
 119/720  
 2007/0221140 A1 \* 9/2007 Warren ..... A01K 11/008  
 119/859  
 2008/0036610 A1 \* 2/2008 Hokuf ..... A01K 15/021  
 340/573.3  
 2009/0205583 A1 \* 8/2009 So ..... A01K 15/021  
 119/719  
 2010/0154721 A1 \* 6/2010 Gerig ..... A01K 15/021  
 119/719  
 2011/0030622 A1 \* 2/2011 So ..... A01K 15/021  
 119/719  
 2011/0232585 A1 \* 9/2011 Rich ..... G01S 5/14  
 119/721  
 2012/0160181 A1 \* 6/2012 So ..... A01K 15/021  
 119/720  
 2012/0160182 A1 \* 6/2012 So ..... A01K 15/021  
 119/720  
 2012/0160183 A1 \* 6/2012 So ..... A01K 15/021  
 119/720  
 2012/0272924 A1 \* 11/2012 So ..... A01K 15/021  
 119/720  
 2013/0027207 A1 \* 1/2013 Goetzl ..... H01Q 1/40  
 340/573.3

(56)

**References Cited**

U.S. PATENT DOCUMENTS

2013/0112153 A1\* 5/2013 So ..... A01K 15/021  
119/720  
2013/0197720 A1\* 8/2013 Kraimer ..... G05D 1/0016  
701/2  
2013/0233252 A1\* 9/2013 Bellon ..... A01K 15/029  
119/720  
2013/0239904 A1\* 9/2013 Kim ..... A01K 15/023  
119/719  
2013/0239905 A1\* 9/2013 Kim ..... A01K 15/023  
119/720  
2014/0261233 A1\* 9/2014 So ..... A01K 27/009  
119/720  
2014/0320347 A1\* 10/2014 Rochelle ..... A01K 15/023  
342/385  
2015/0033794 A1\* 2/2015 Ma ..... A01K 27/006  
63/1.13  
2015/0040839 A1\* 2/2015 Goetzl ..... A01K 27/009  
119/720  
2015/0128878 A1\* 5/2015 Van Curen ..... G06K 9/00671  
119/721  
2016/0100552 A1\* 4/2016 So ..... A01K 27/001  
119/719  
2018/0132450 A1\* 5/2018 Goetzl ..... A01K 15/021  
2018/0153138 A1\* 6/2018 Goetzl ..... A01K 15/029

\* cited by examiner

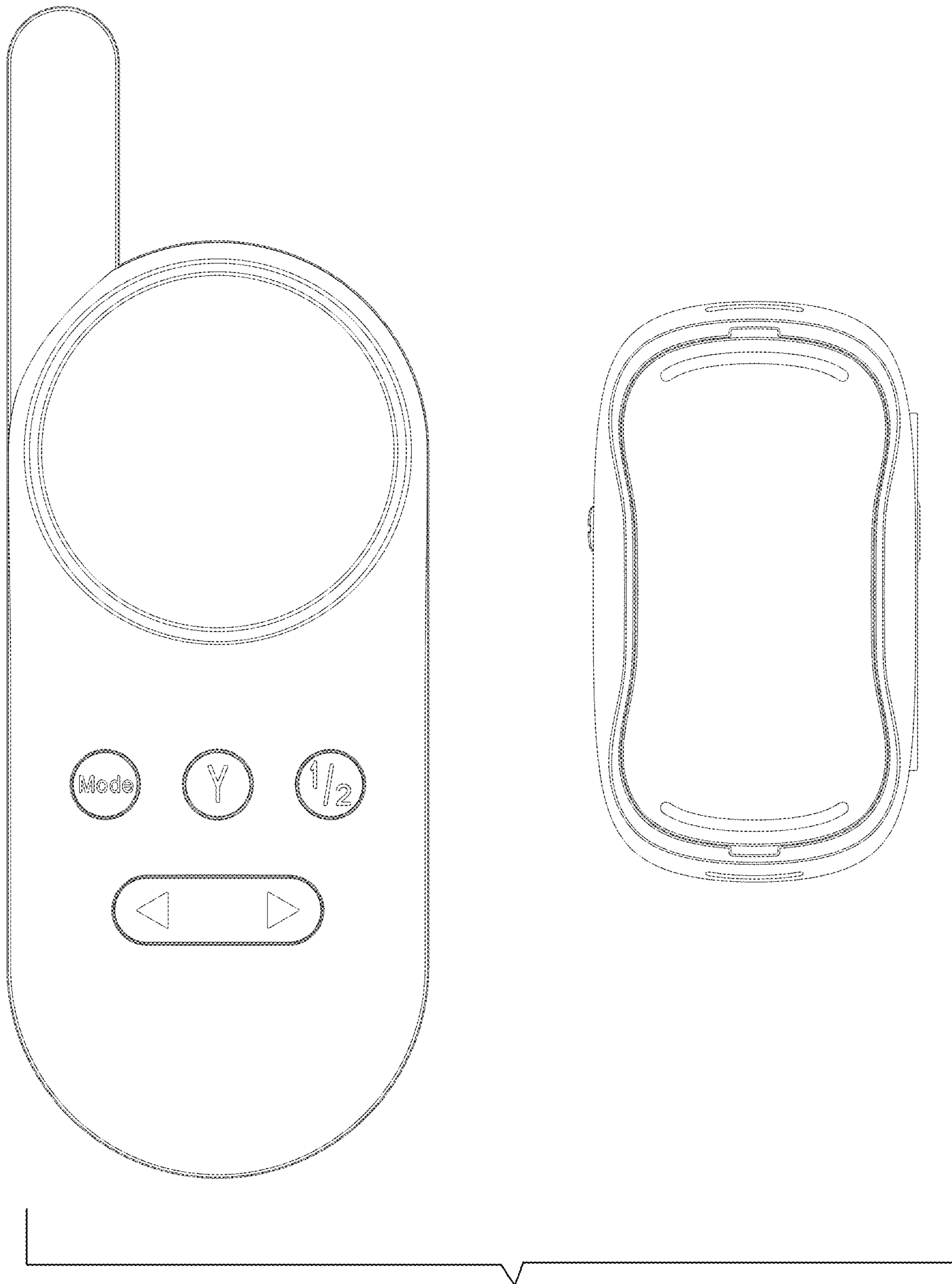


Fig. 1

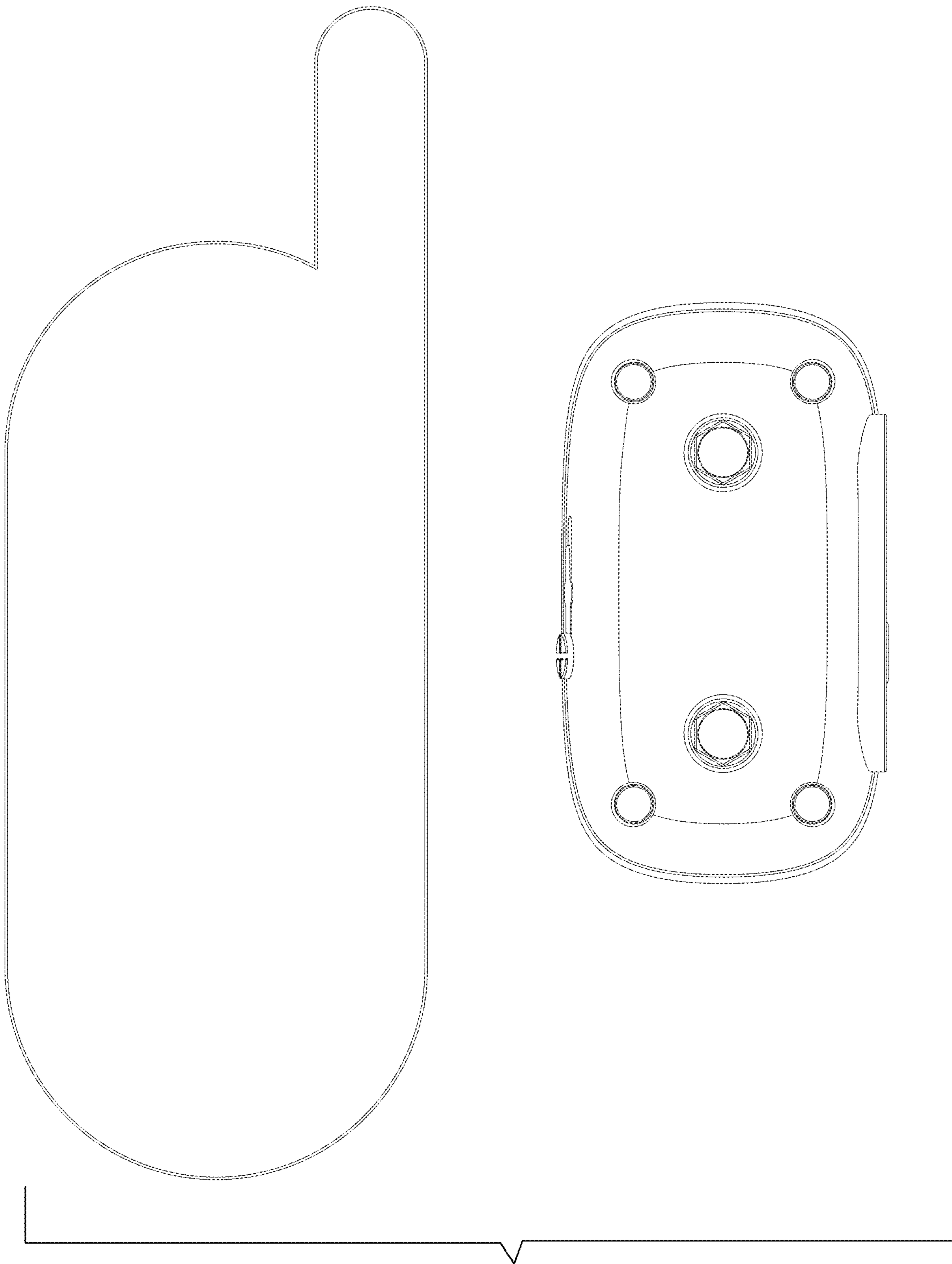


Fig. 2

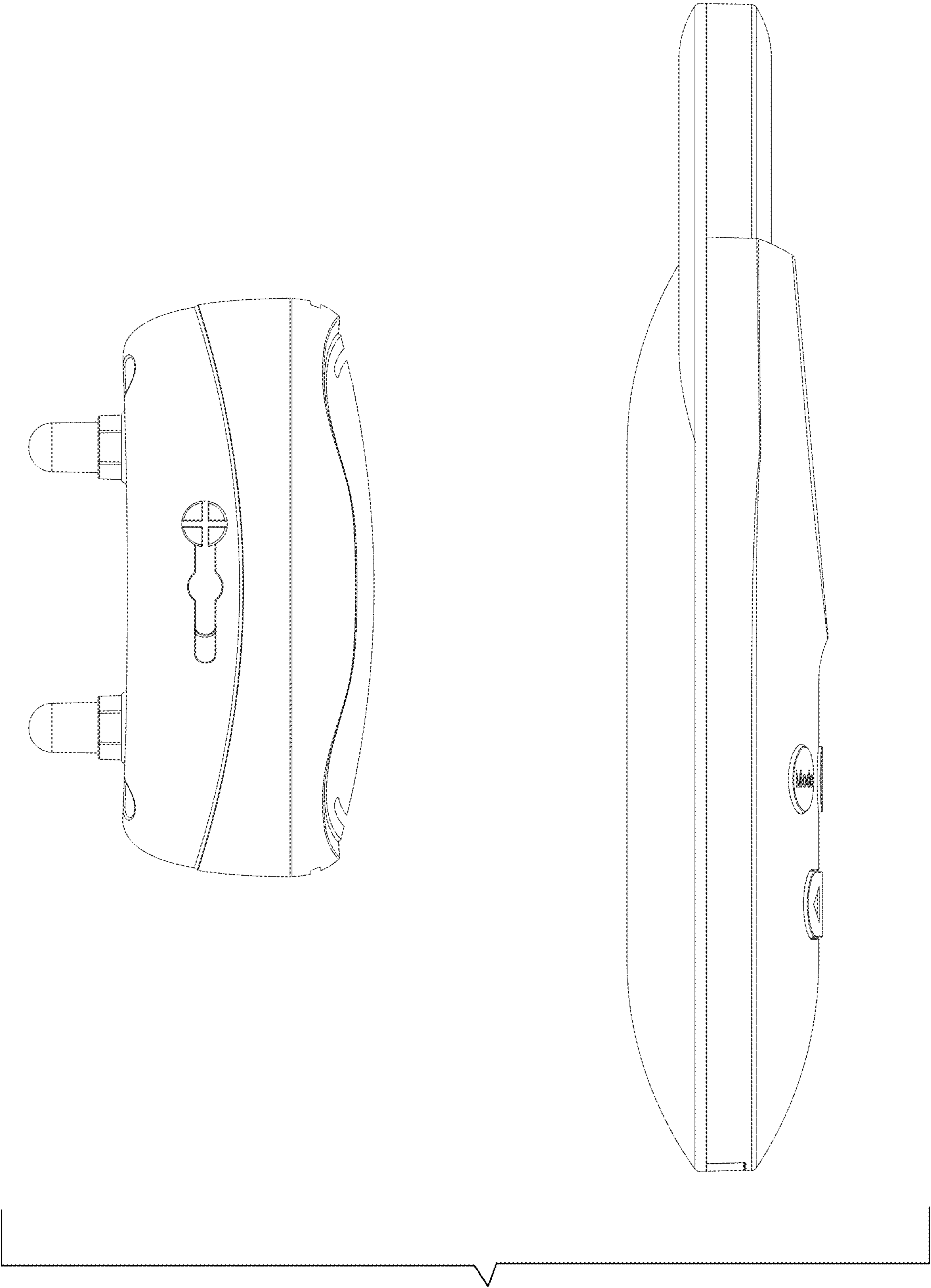


Fig. 3

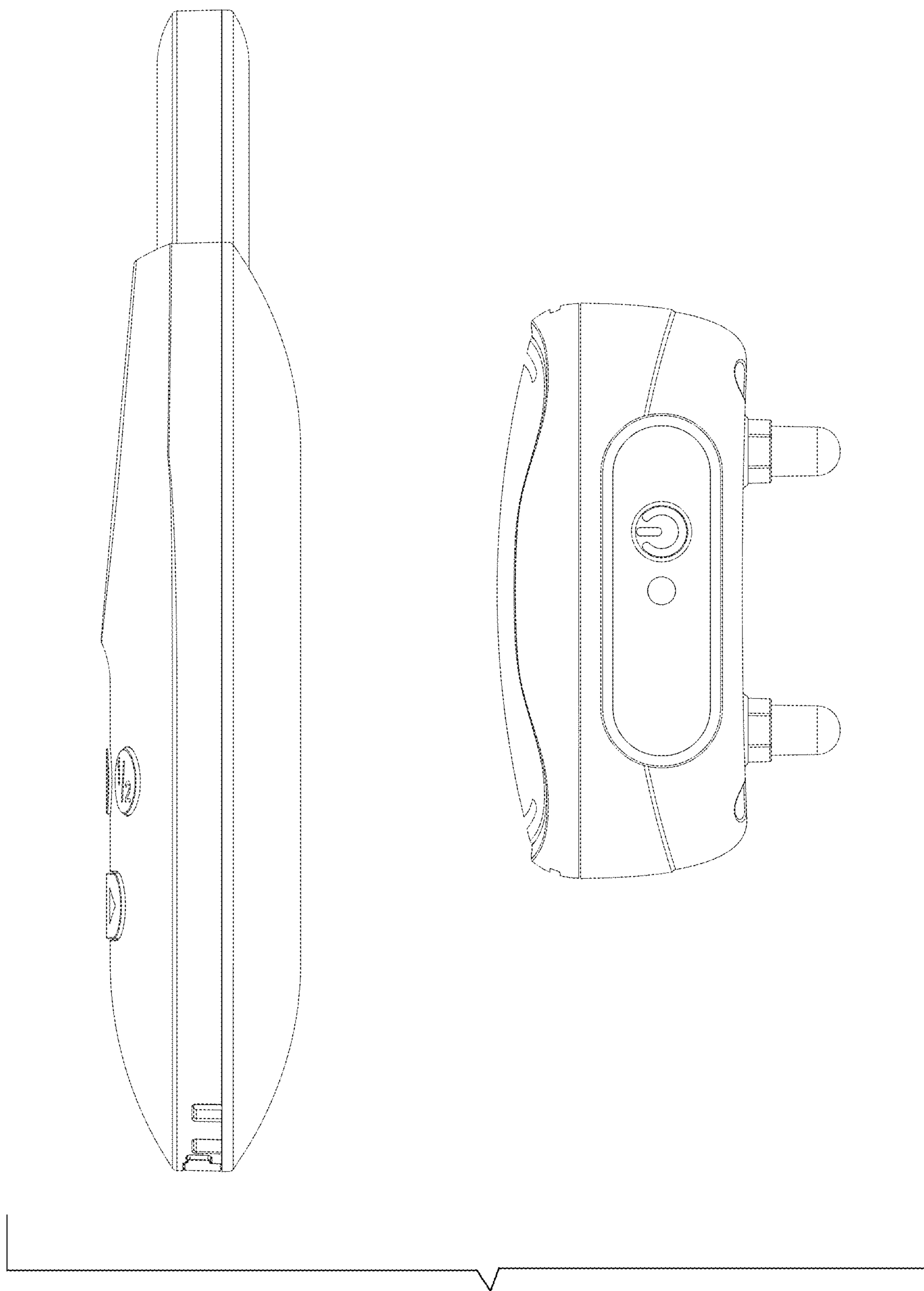


Fig. 4

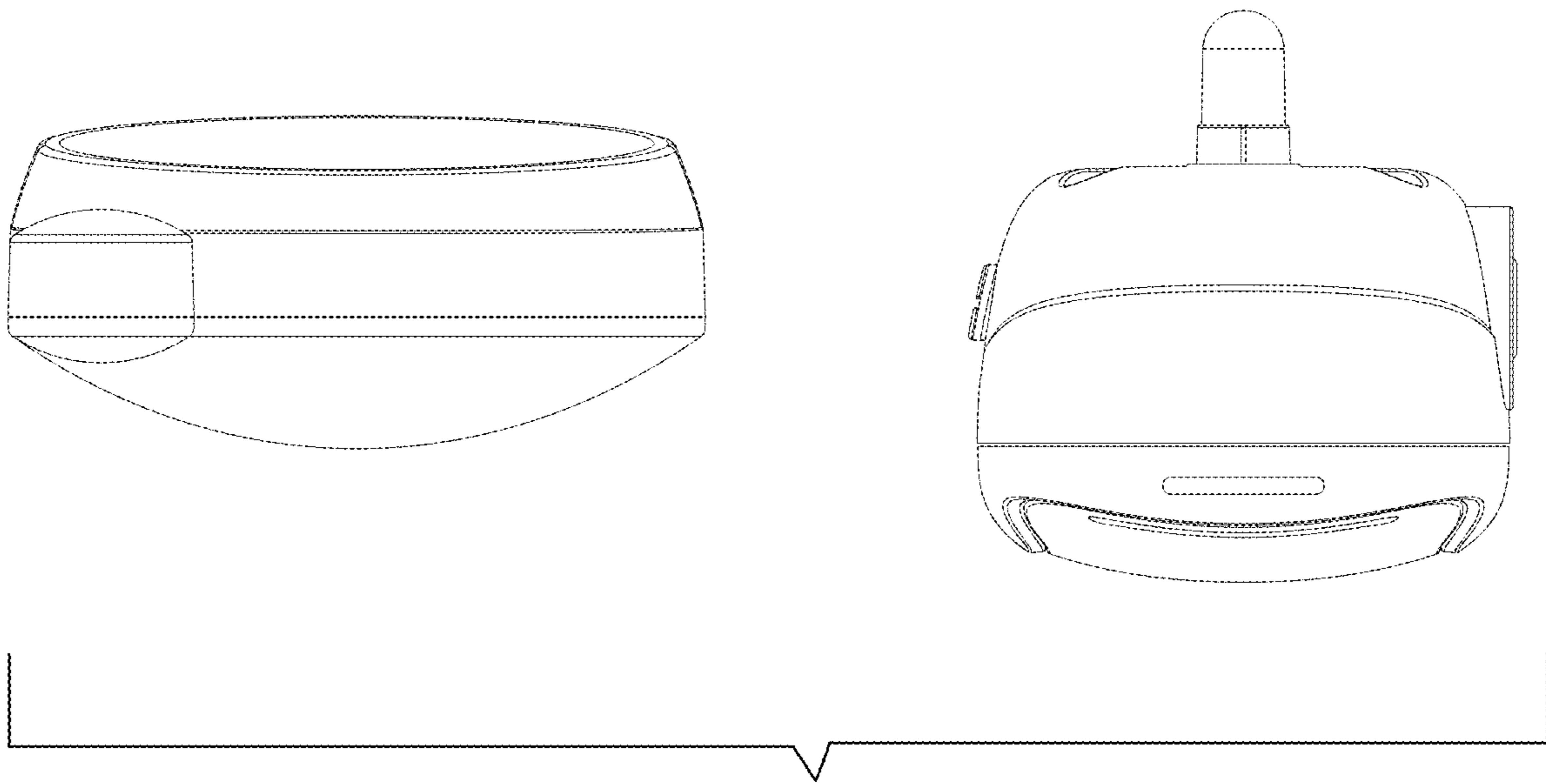


Fig. 5



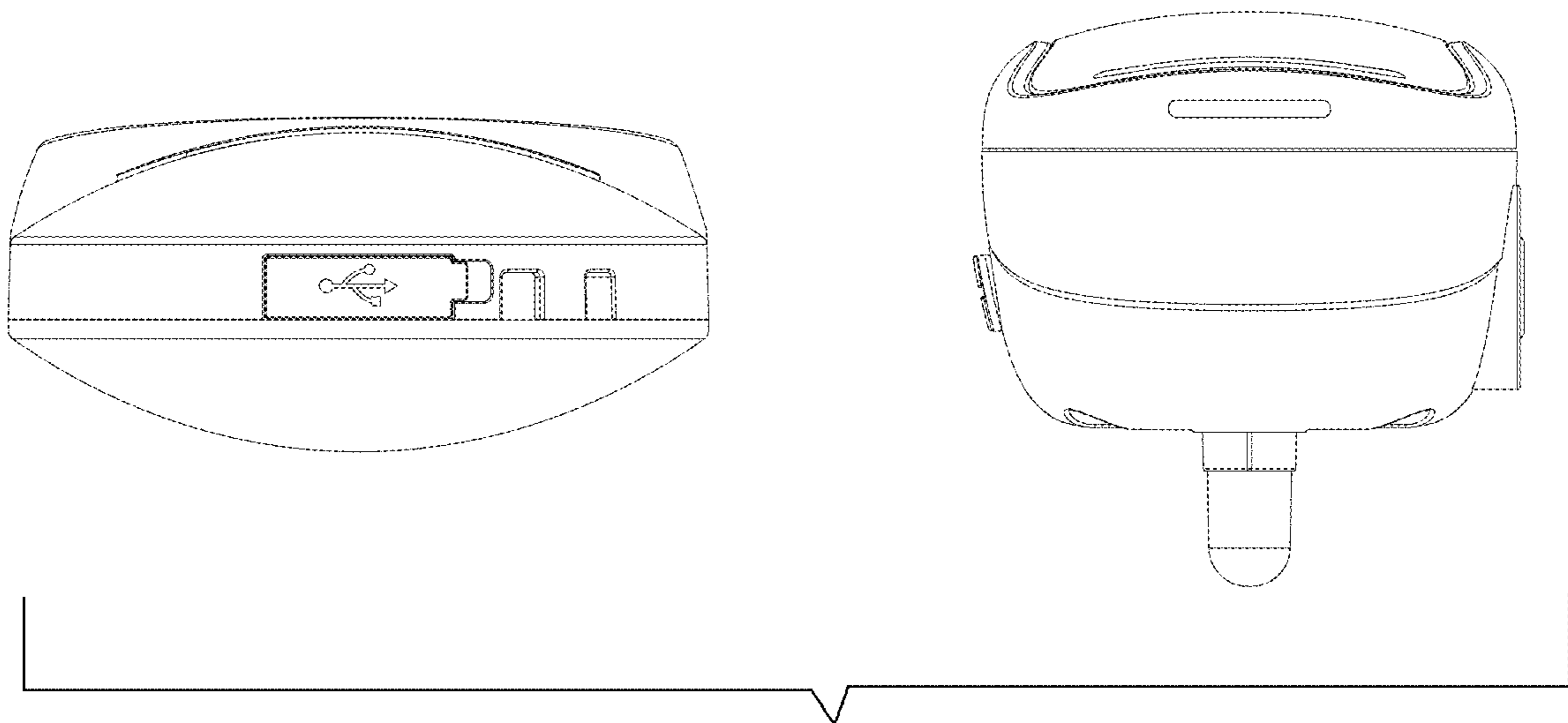


Fig. 6

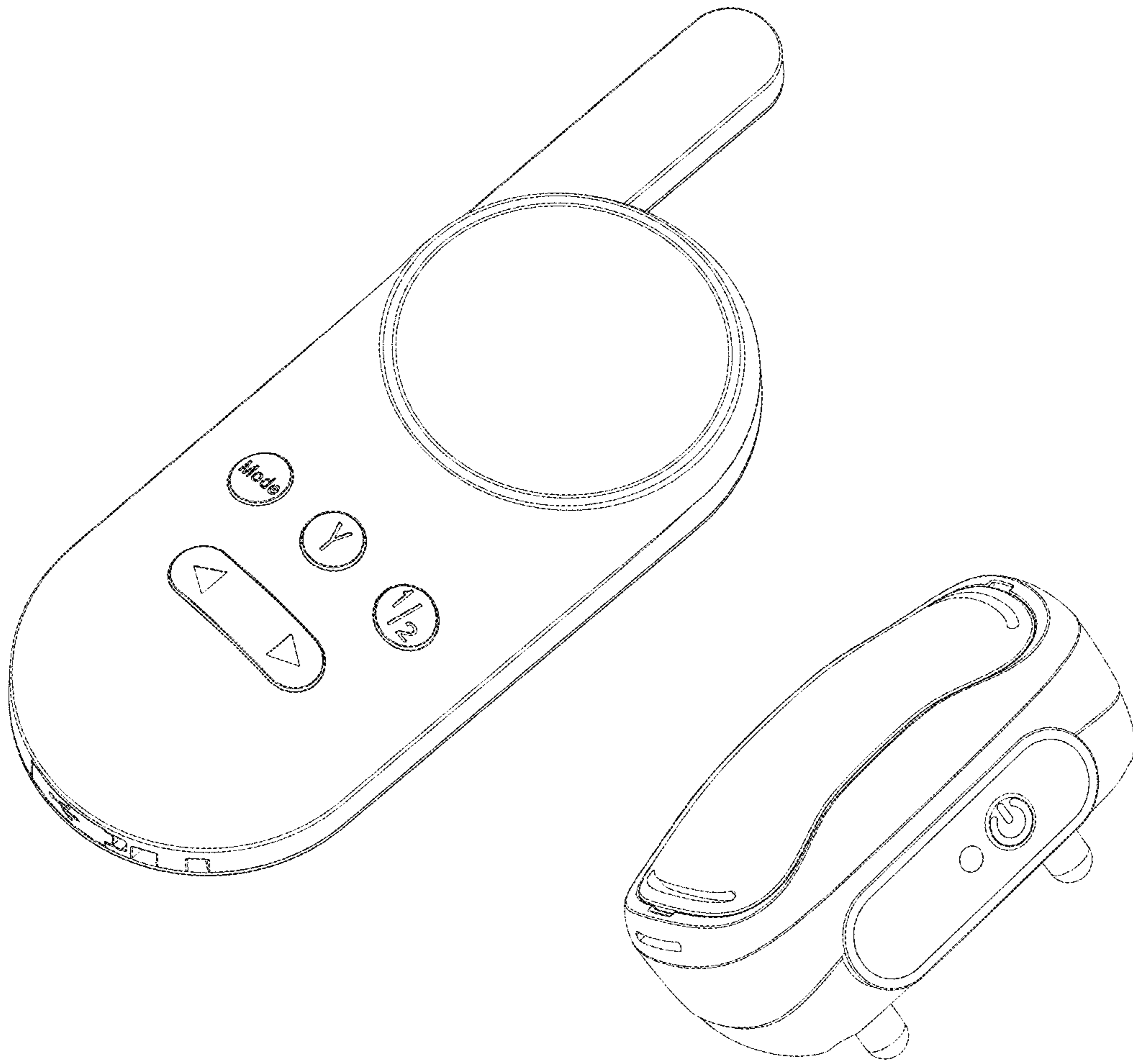


Fig. 7

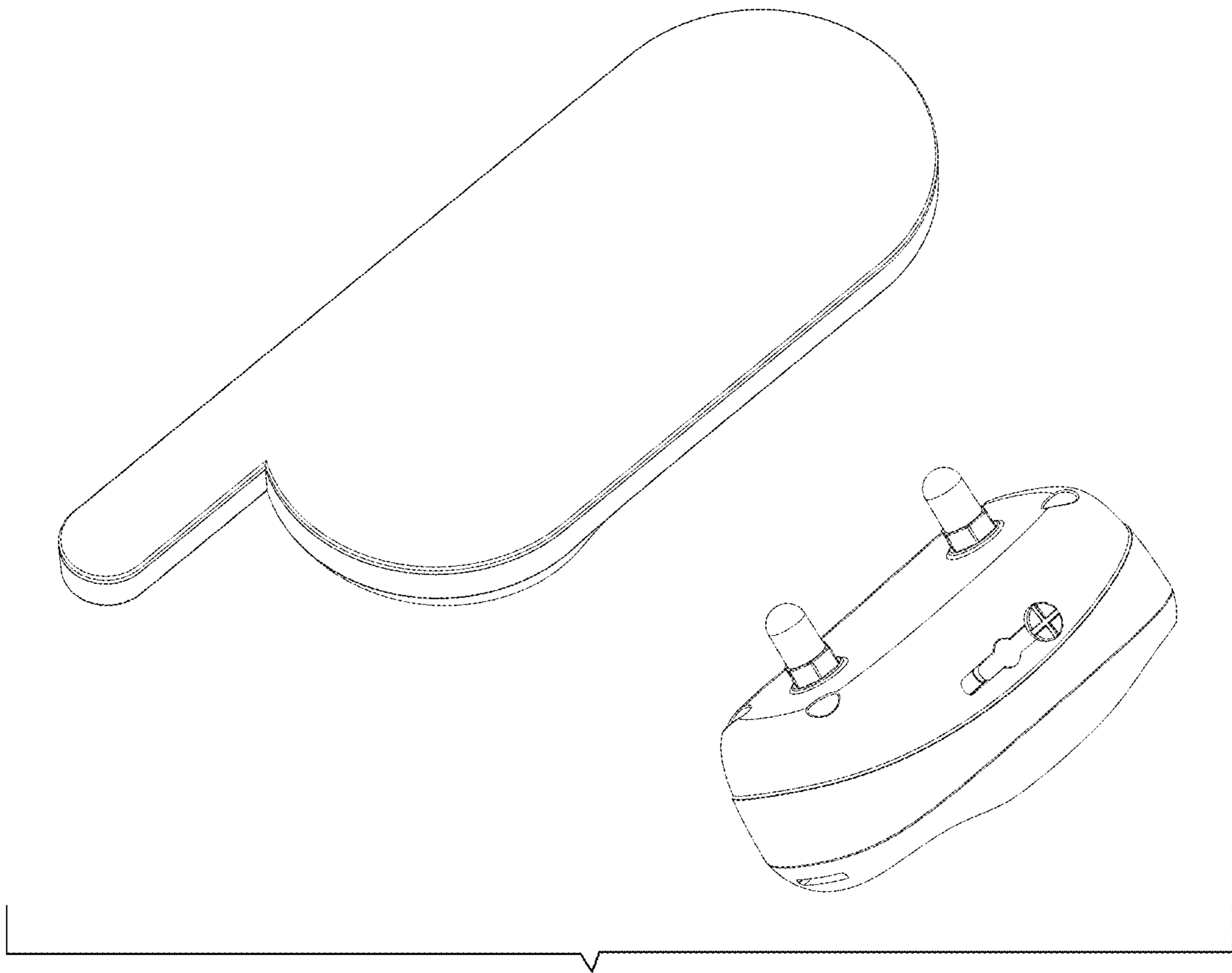


Fig. 8