



US00D898304S

(12) **United States Design Patent**  
**Tu**

(10) **Patent No.:** **US D898,304 S**  
(45) **Date of Patent:** **\*\* Oct. 6, 2020**

(54) **CAT LITTER APPARATUS**

(71) Applicant: **Zhushi Tu**, Hubei (CN)

(72) Inventor: **Zhushi Tu**, Hubei (CN)

(\*\*) Term: **15 Years**

(21) Appl. No.: **29/697,729**

(22) Filed: **Jul. 10, 2019**

(30) **Foreign Application Priority Data**

Jan. 15, 2019 (CN) ..... 2019 3 0021659

(51) **LOC (12) Cl.** ..... **30-99**

(52) **U.S. Cl.**  
USPC ..... **D30/161**

(58) **Field of Classification Search**  
USPC ..... D30/158-161; D3/304  
CPC .... A01K 1/011; A01K 1/0107; A01K 1/0125;  
A01K 1/0121; A47K 11/02; A47K 11/06;  
A47K 13/00; A47K 13/06; A47K 13/14  
See application file for complete search history.

(56) **References Cited**

**U.S. PATENT DOCUMENTS**

- 5,662,066 A \* 9/1997 Reitz ..... A01K 1/0114  
119/163
- 5,713,302 A \* 2/1998 Walter ..... A01K 1/0107  
119/165
- D496,501 S \* 9/2004 Walter ..... D30/161
- D676,613 S \* 2/2013 Chiu ..... D30/117
- D681,885 S \* 5/2013 Pitter ..... D30/121
- D743,117 S \* 11/2015 Shibata ..... D30/161
- D753,886 S \* 4/2016 Veness ..... D30/161

- D756,041 S \* 5/2016 Robbins, III ..... D25/19
- D782,755 S \* 3/2017 Veness ..... D30/161
- D815,365 S \* 4/2018 Scariot ..... D30/118
- 10,258,019 B1 \* 4/2019 Bogart ..... A01K 1/0114
- 10,440,932 B2 \* 10/2019 Dmoch ..... A01K 1/0107
- 10,653,106 B2 \* 5/2020 Northrop ..... A01K 1/0107
- 2002/0139312 A1 \* 10/2002 Reitz ..... A01K 1/0114  
119/165
- 2007/0051323 A1 \* 3/2007 Guard ..... A01K 1/033  
119/482
- 2010/0139570 A1 \* 6/2010 Pfingsten ..... A01K 5/0142  
119/63
- 2015/0101543 A1 \* 4/2015 Baxter ..... A01K 5/0142  
119/498

\* cited by examiner

*Primary Examiner* — Brandon M Rosati

*Assistant Examiner* — Aula Soroush

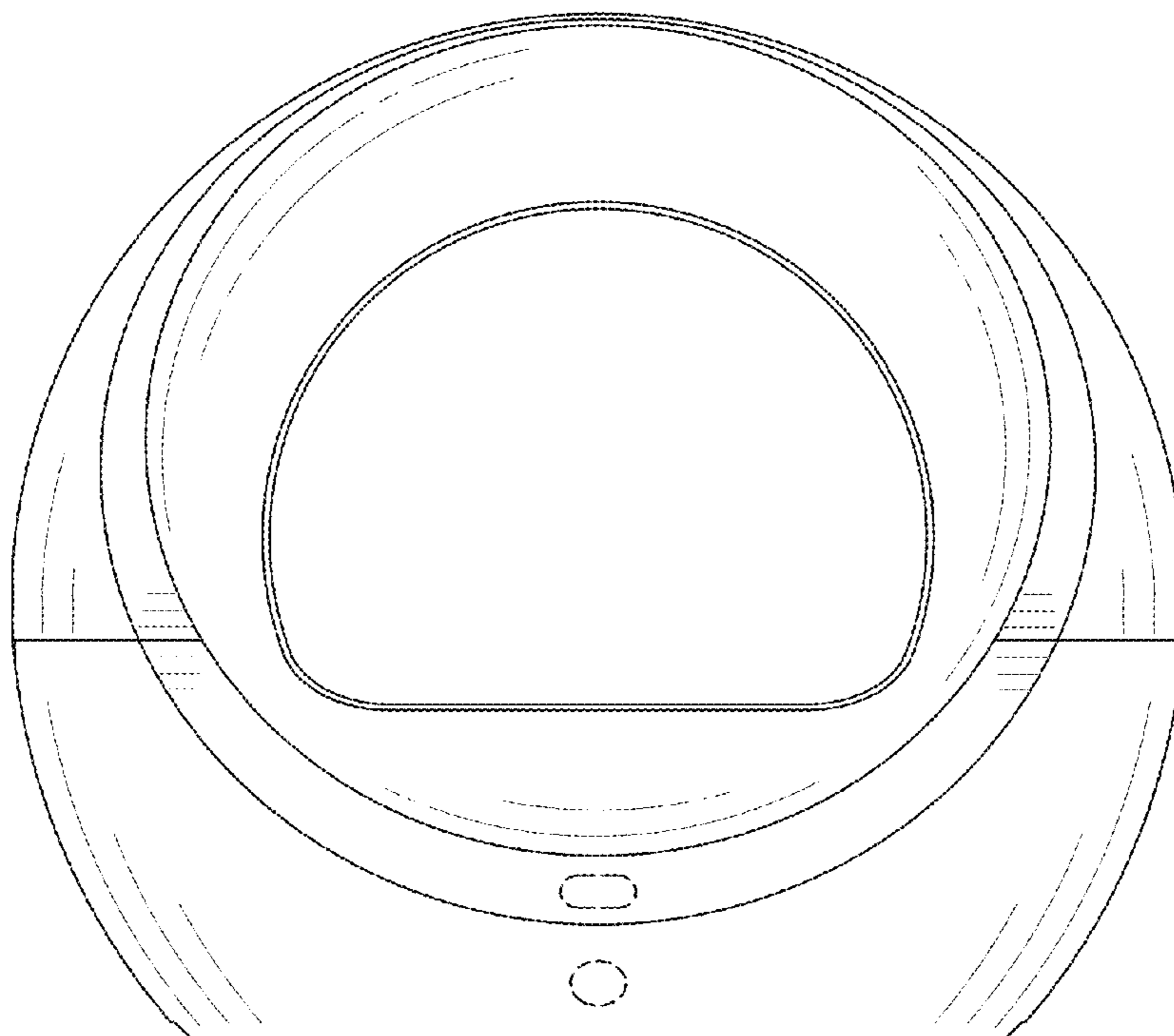
(57) **CLAIM**

The ornamental design for a cat litter apparatus, as shown and described.

**DESCRIPTION**

FIG. 1 is a front elevational view of a cat litter apparatus showing my new design;  
FIG. 2 is a rear elevational view thereof;  
FIG. 3 is a left side view thereof;  
FIG. 4 is a right side view thereof;  
FIG. 5 is a top plan view thereof;  
FIG. 6 is a bottom plan view thereof; and,  
FIG. 7 is a top, front and right side perspective view thereof.  
The broken lines in the drawings illustrate portions of the cat litter apparatus which form no part of the claimed design.

**1 Claim, 7 Drawing Sheets**



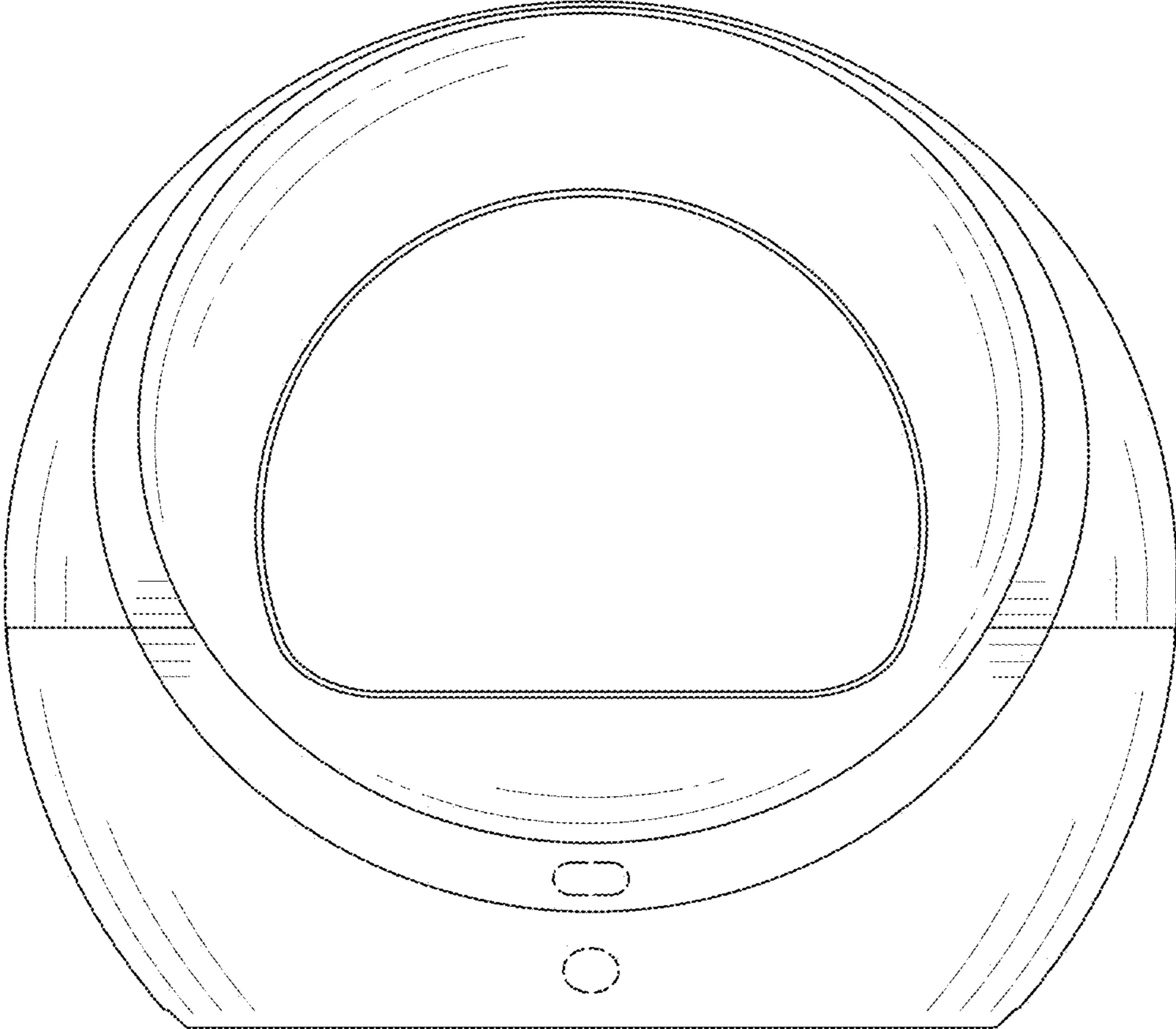


Fig. 1

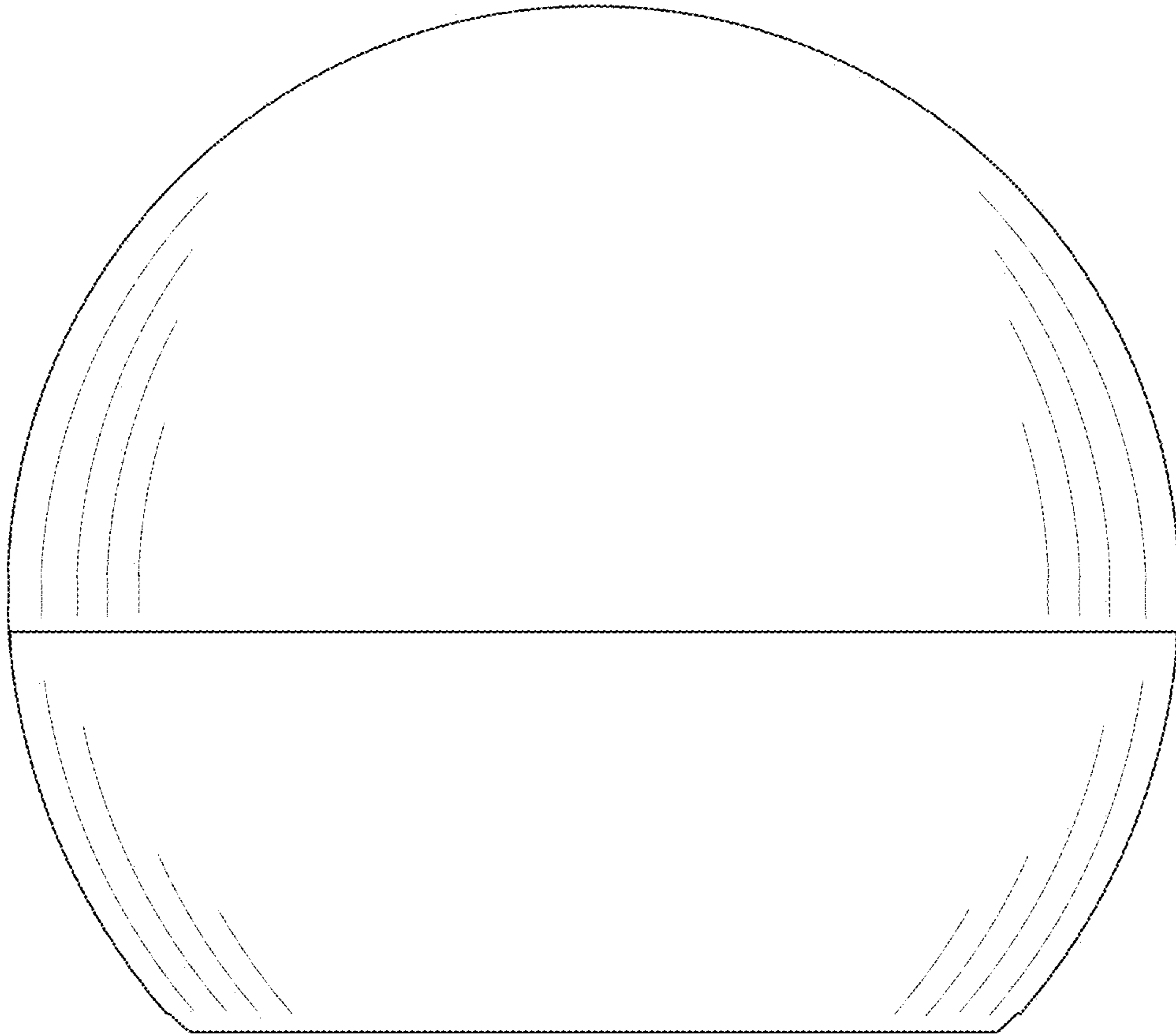


Fig.2

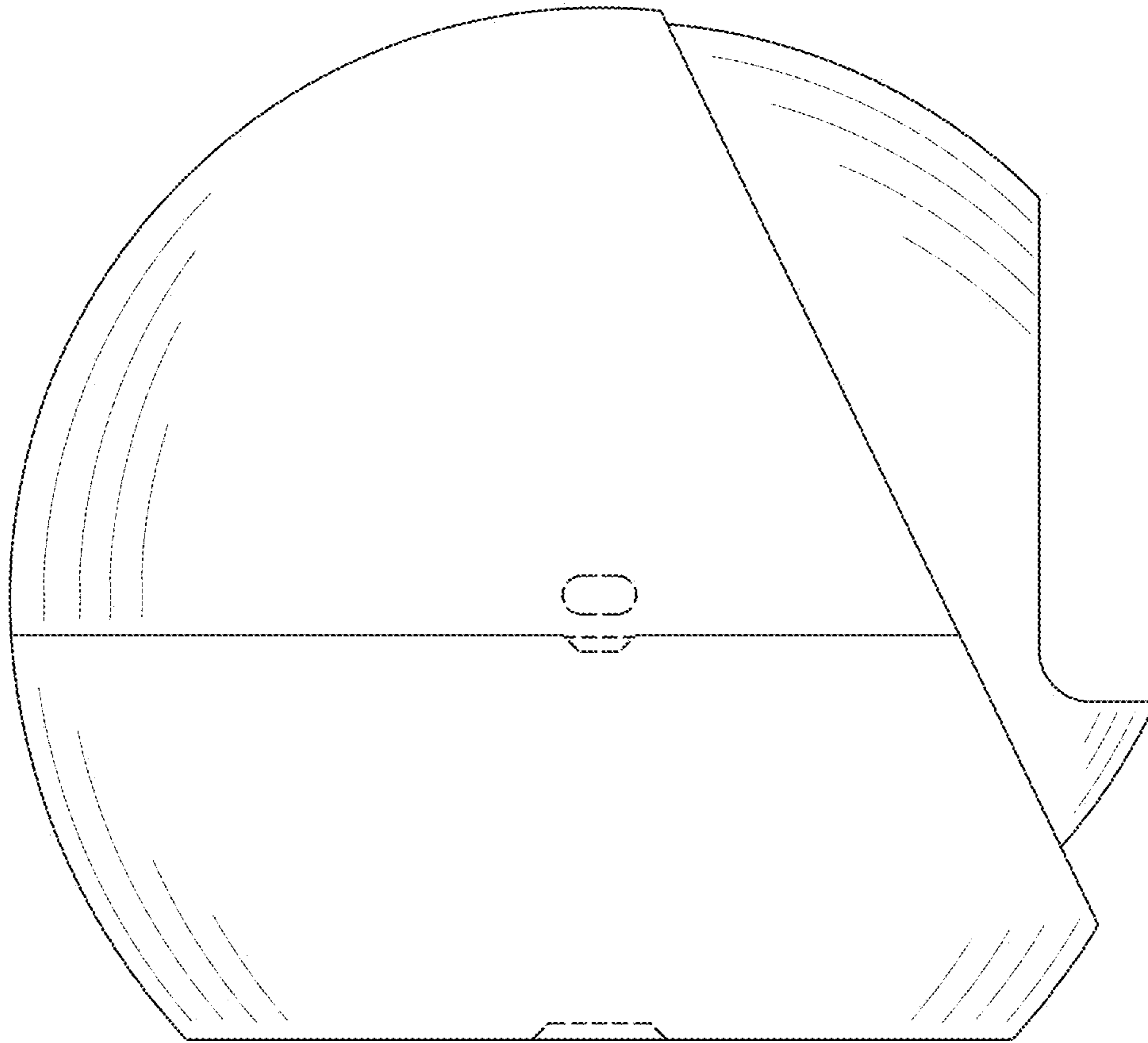


Fig.3

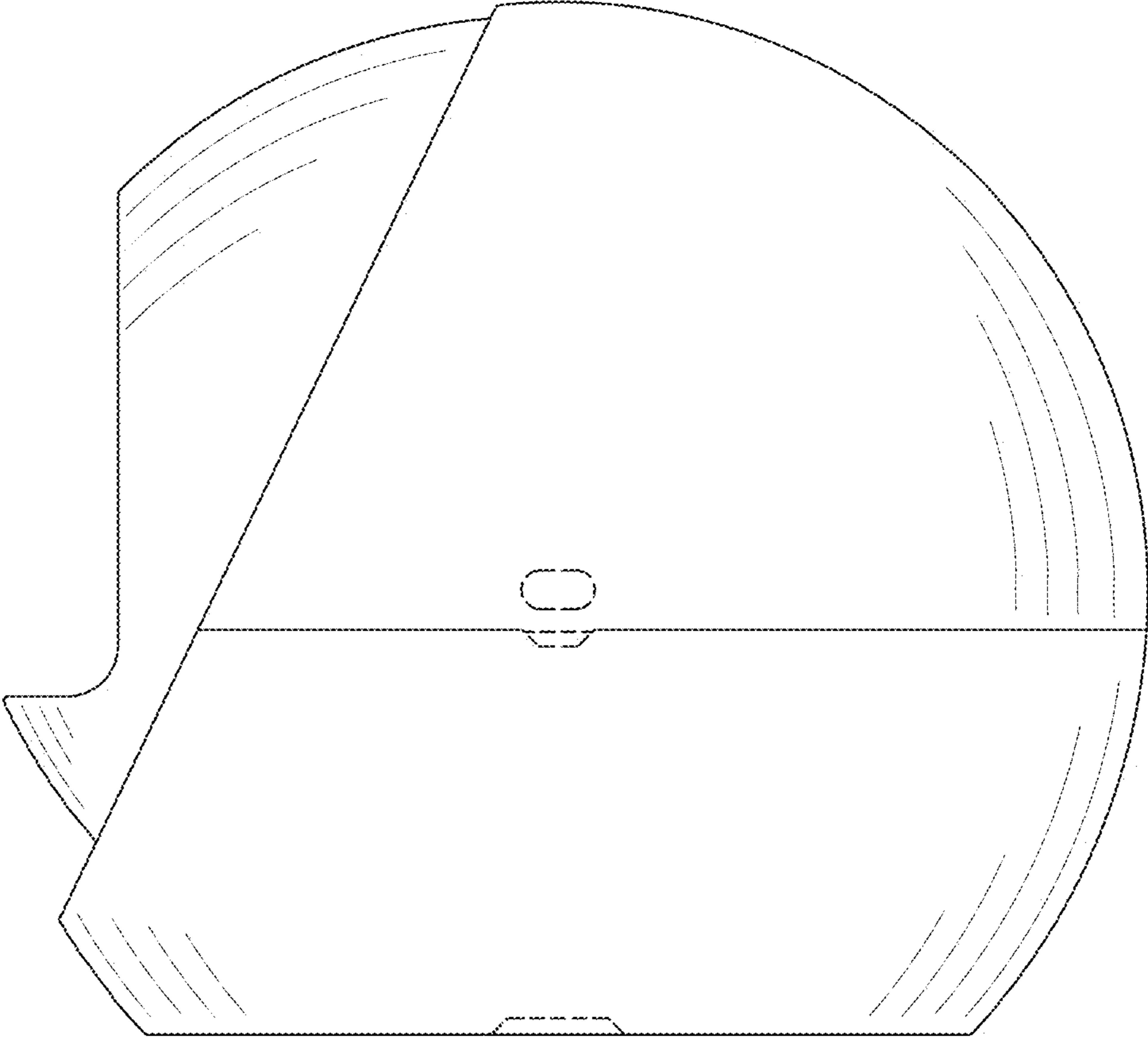


Fig.4

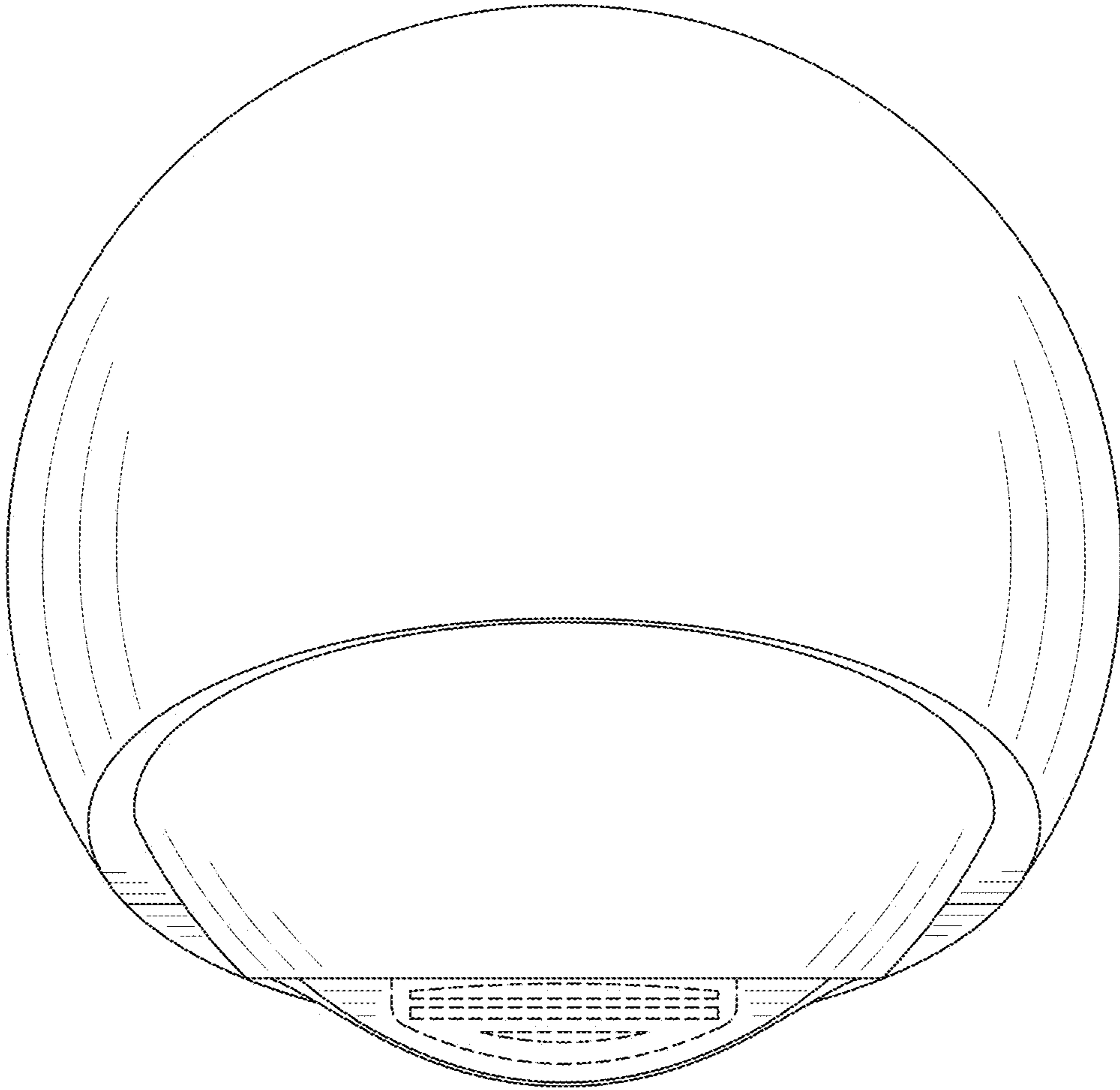


Fig.5

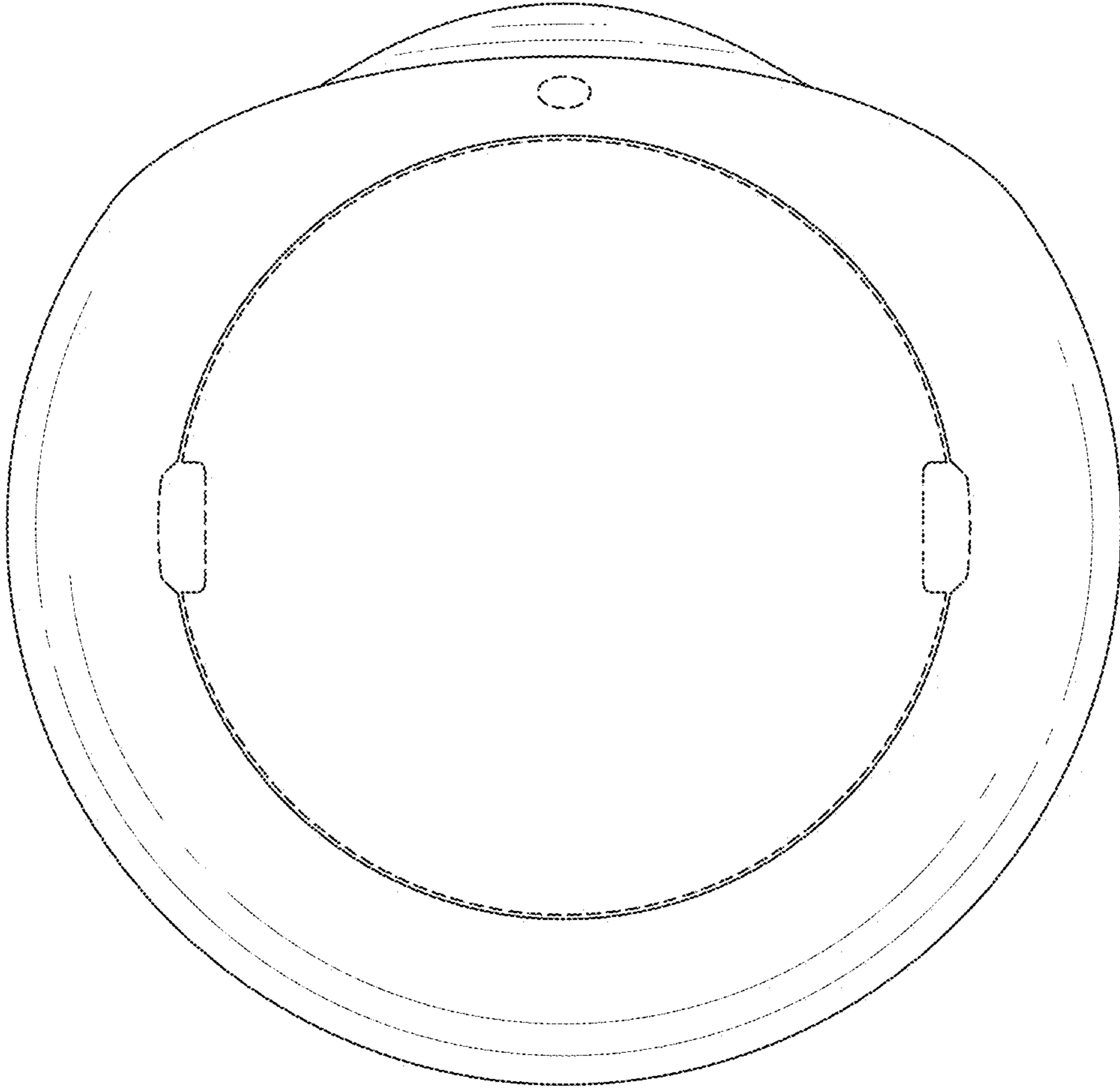


Fig.6

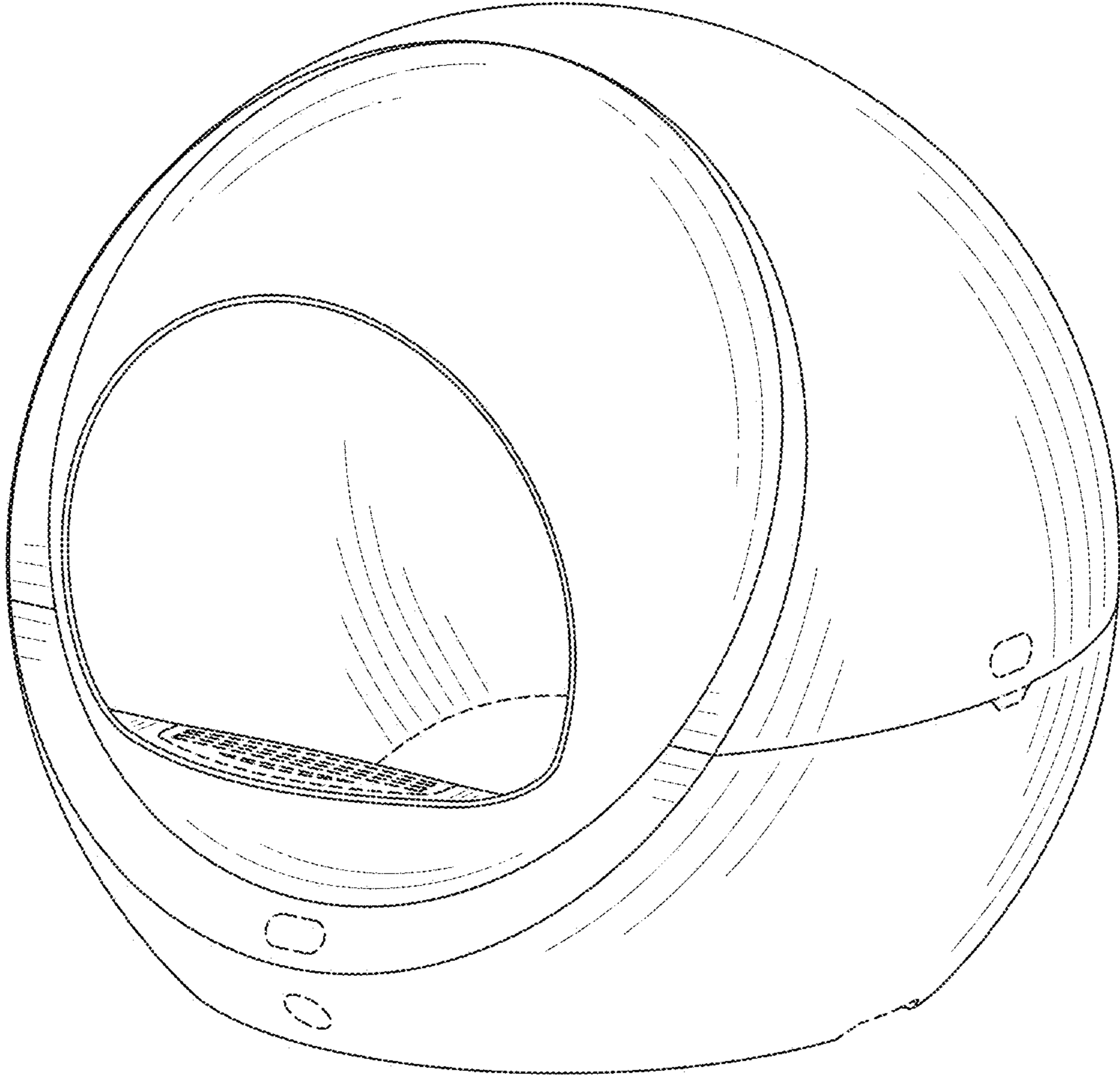


Fig.7