



US00D898302S

(12) **United States Design Patent** (10) **Patent No.:** **US D898,302 S**
Zhang (45) **Date of Patent:** **** Oct. 6, 2020**

(54) **PET HAIR REMOVER**

(71) Applicant: **Weinan Zhang**, Yixing (CN)

(72) Inventor: **Weinan Zhang**, Yixing (CN)

(**) Term: **15 Years**

(21) Appl. No.: **29/735,736**

(22) Filed: **May 22, 2020**

(51) **LOC (12) Cl.** **30-99**

(52) **U.S. Cl.**
USPC **D30/159**

(58) **Field of Classification Search**
USPC D4/132-138, 124-129, 116-119, 199,

D4/194, 100-102, 122; D7/393, 395,
D7/401.2; D8/107, 303; D28/29, 10, 28,
D28/30, 35, 37; 15/143.1, 159.1, 160,
15/186-188, DIG. 5, 191.1, 192, 193,
15/201, 207.2; 16/430; 132/119.1, 120,
132/142, 313, 161, 121, 271, 219, 141,
132/143-144, 137, 123-130, 901, 270,
132/150-155, 147, 148, 139, 158, 160,
132/149, 112-116, 213.1; D30/158, 159;
119/600, 612, 625, 633, 628, 632, 631,
119/611, 601, 605, 606, 613-620, 630;
30/114, 130, 301, 305, 315, 316, 299,
30/303, 306, 169, 322, 31, 30, 279.2,
30/280, 287, 294, 199, 329-344, 346.56,
30/346.61, 355, 357, 34.05

CPC A46B 1/00; A46B 3/00; A46B 3/20; A46B
3/22; A46B 5/0008; A46B 5/028; A46B
5/00; A46B 5/02; A46B 5/021; A46B
5/023; A46B 5/025; A46B 5/026; A46B
9/00; A46B 9/005; A46B 9/02; A46B
9/023; A46B 9/025; A46B 9/026; A46B
2200/00; A46B 2200/10; A46B 2200/102;
A46B 2200/104; A46B 2200/1093; A46D
1/00; Y10S 15/05; A01K 13/00; A01K
13/002; A01K 13/003; A45D 24/30;
A45D 24/00; A45D 24/04; A45D 24/10;
A45D 24/36; A45D 24/02; A45D 24/08;

A45D 24/42; A45D 24/44; A45D
2024/002; B26B 19/24; B26B 19/063;
B26B 21/16; B26B 21/18; B26B 21/521;
B26B 21/4075; B26B 21/522; B26B
21/12; B26B 21/125; B26B 1/08
See application file for complete search history.

(56) **References Cited**

U.S. PATENT DOCUMENTS

D23,411 S * 7/1894 Faber D19/187
1,780,276 A * 11/1930 Scheiwer B26B 19/06
30/223
D103,667 S * 3/1937 Brogden D9/431
D137,641 S * 4/1944 Brown D4/104
D149,313 S * 4/1948 Shapiro D9/570

(Continued)

FOREIGN PATENT DOCUMENTS

CN 305700830 * 4/2020

Primary Examiner — Susan Moon Lee

(74) *Attorney, Agent, or Firm* — ScienBiziP, P.C.

(57) **CLAIM**

The ornamental design for a pet hair remover, as shown and described.

DESCRIPTION

FIG. 1 is a front perspective view of a pet hair remover, showing my design.

FIG. 2 is a front elevation view thereof.

FIG. 3 is a rear elevation view thereof.

FIG. 4 is a left side elevation view thereof.

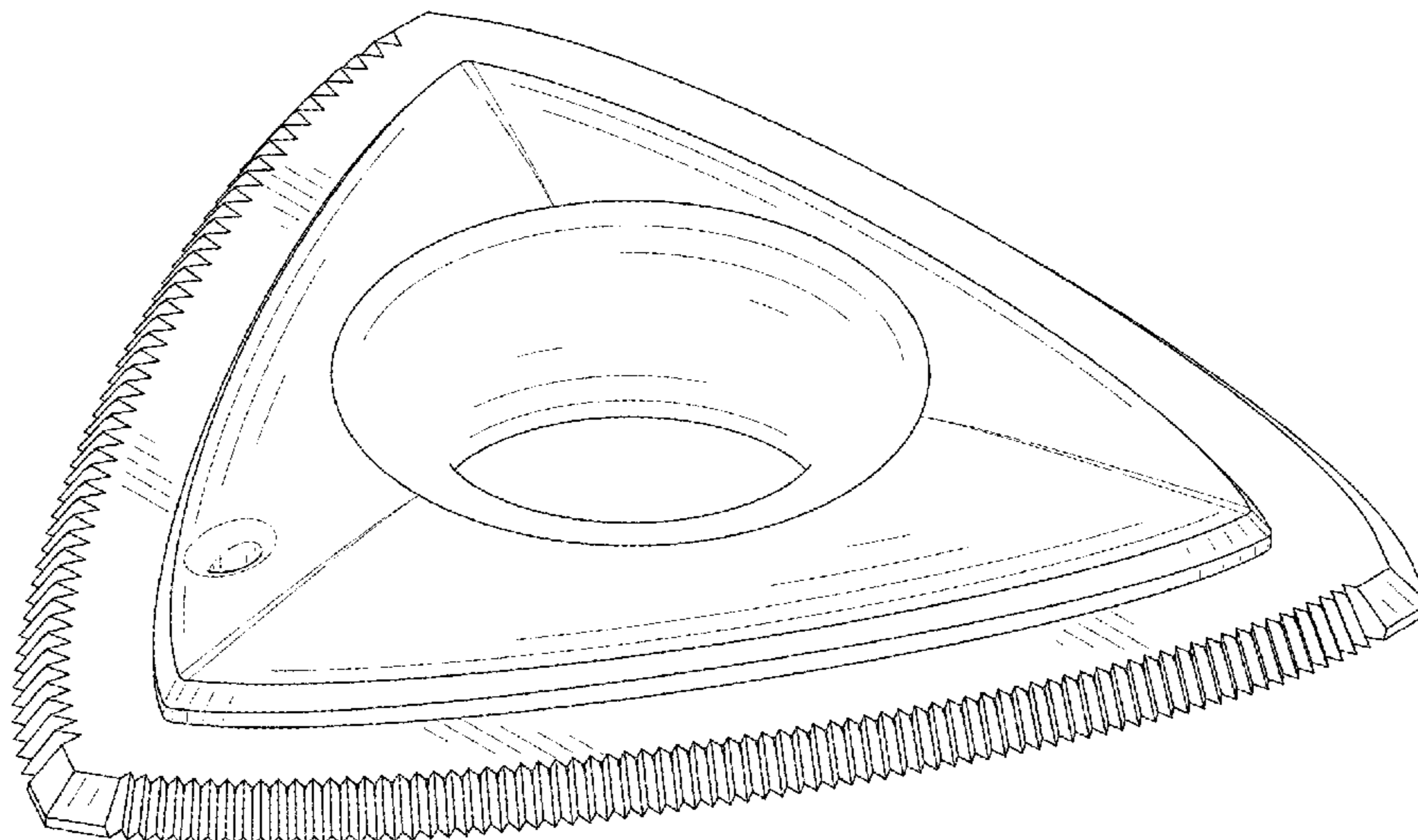
FIG. 5 is a right side elevation view thereof.

FIG. 6 is a top plan view thereof; and,

FIG. 7 is a bottom plan view thereof.

The broken lines are for environmental structure, boundaries, or illustrative purposes only and form no part of the claimed designs to be patented.

1 Claim, 7 Drawing Sheets



(56)

References Cited

U.S. PATENT DOCUMENTS

D153,325 S * 4/1949 Storey D24/194
 D170,050 S * 7/1953 Colm D24/194
 2,671,917 A * 3/1954 Martin B65H 35/0026
 15/104.002
 D187,977 S * 5/1960 Pastoret D8/19
 D201,944 S * 8/1965 Leopoldi D28/59
 3,409,029 A * 11/1968 Kumpa A45D 24/04
 132/133
 D224,847 S * 9/1972 Thomas D28/21
 3,798,698 A * 3/1974 Conklin, Jr. A46B 5/04
 15/167.1
 3,821,828 A * 7/1974 Pearson E04F 21/32
 15/245.1
 D245,462 S * 8/1977 Hauf D4/129
 D249,650 S * 9/1978 Schoenfeld D10/12
 D266,054 S * 9/1982 Goodman 292/343
 D269,719 S * 7/1983 Tovey 424/467
 D282,295 S * 1/1986 Harvey D28/29
 4,866,806 A * 9/1989 Bedford A47L 13/16
 15/104.94
 D305,662 S * 1/1990 Niebauer 407/114
 D309,161 S * 7/1990 Leung D21/331
 5,009,896 A * 4/1991 Becker A61J 3/10
 424/467
 D319,467 S * 8/1991 Clowes 401/34
 5,044,840 A * 9/1991 Fouquer B23B 27/143
 407/114
 5,138,737 A * 8/1992 Thomas A46B 5/02
 15/143.1
 D336,589 S * 6/1993 Schindler D7/539
 D344,276 S * 2/1994 Markusson D15/139
 D353,907 S * 12/1994 Doria D26/106
 D357,685 S * 4/1995 Reardon D14/239
 D363,742 S * 10/1995 Fitzsimmons D19/67
 D380,787 S * 7/1997 Gabriel D21/489
 D380,790 S * 7/1997 Gabriel D21/489
 D380,792 S * 7/1997 Gabriel D21/489
 D389,518 S * 1/1998 Reichmann 401/34
 D392,434 S * 3/1998 Garner D32/46
 5,809,604 A * 9/1998 Olstyn B25G 3/06
 15/111
 D400,780 S * 11/1998 Wurdack D8/374
 D408,587 S * 4/1999 De Visser D28/53
 D419,067 S * 1/2000 Guillin D9/425
 D419,701 S * 1/2000 Schifrin D26/26
 D420,585 S * 2/2000 Guillin D9/425
 D421,185 S * 2/2000 Remme D24/194
 6,134,737 A * 10/2000 Remme A46B 5/02
 15/110
 D452,164 S * 12/2001 Buss D10/1
 D454,254 S * 3/2002 Hellinger D4/138
 D463,488 S * 9/2002 Kramer D19/120
 D473,546 S * 4/2003 Hovanky D14/217

D479,405 S * 9/2003 Bressler A47L 23/12
 D4/121
 D506,069 S * 6/2005 Woods D4/127
 D507,407 S * 7/2005 Woods D4/132
 6,925,675 B1 * 8/2005 Trunecek A47L 1/16
 15/236.01
 D521,740 S * 5/2006 Pryor D4/135
 D527,529 S * 9/2006 Ajluni D4/129
 7,107,645 B2 * 9/2006 Bressler A47L 23/12
 15/105.52
 D530,197 S * 10/2006 LaMasney D9/420
 D532,780 S * 11/2006 Proctor, Jr. D14/240
 D540,485 S * 4/2007 Waedeled D26/70
 D543,180 S * 5/2007 Ra D14/138 AB
 D551,818 S * 9/2007 Rongotes D32/46
 D559,459 S * 1/2008 Garland D28/55
 D559,460 S * 1/2008 Garland D28/57
 D562,385 S * 2/2008 Camillo D19/181
 D568,050 S * 5/2008 Huang D4/120
 D570,410 S * 6/2008 Moro D19/181
 D571,968 S * 6/2008 Talesfore D32/41
 D582,103 S * 12/2008 Ragonetti D30/158
 D594,438 S * 6/2009 Wada D14/149
 D603,550 S * 11/2009 Levine D26/61
 D609,917 S * 2/2010 Benson D4/136
 D612,615 S * 3/2010 Chitayat D4/129
 D616,738 S * 6/2010 Andre D9/430
 D620,916 S * 8/2010 Wada D14/149
 7,918,233 B2 * 4/2011 Burgess A46B 9/02
 132/75.6
 D640,227 S * 6/2011 Wada D14/149
 D653,722 S * 2/2012 Morris, Jr. D21/796
 D700,672 S * 3/2014 Riley D21/795
 D705,544 S * 5/2014 Masalin D4/129
 9,326,581 B1 * 5/2016 Lowery A45D 29/04
 9,332,826 B2 * 5/2016 Spillman, Jr. A46B 9/02
 D758,741 S * 6/2016 Sussman D4/137
 D760,500 S * 7/2016 Stephens D4/127
 9,516,861 B2 * 12/2016 Renforth A01K 13/002
 D811,097 S * 2/2018 Supple D4/138
 D830,063 S * 10/2018 Stephens D4/129
 D834,565 S * 11/2018 Sarrasin D14/227
 D840,121 S 2/2019 Becattini, Jr. et al.
 D845,497 S * 4/2019 Cole D24/200
 D847,693 S * 5/2019 Kim D11/216
 D858,109 S * 9/2019 Crawford D4/119
 D858,998 S 9/2019 Zhang
 D878,767 S * 3/2020 Uyttenboogaard D4/129
 2006/0266160 A1 * 11/2006 Yeh B67B 7/44
 81/3.4
 2009/0145451 A1 * 6/2009 Burgess A46B 3/005
 132/75.6
 2013/0343041 A1 * 12/2013 Renforth A01K 13/002
 362/109
 2018/0042358 A1 * 2/2018 Wilson A45D 24/10

* cited by examiner

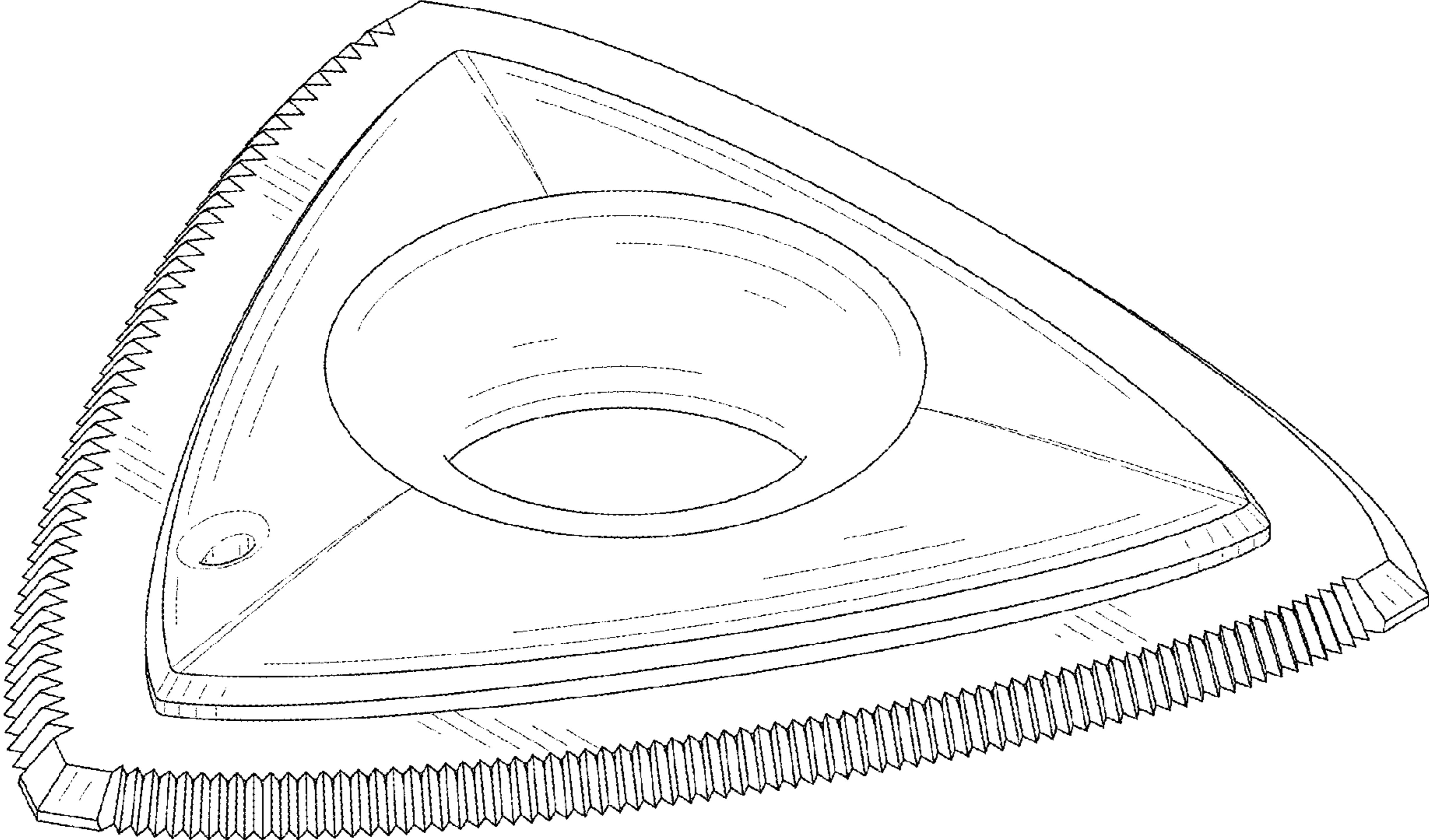


FIG. 1

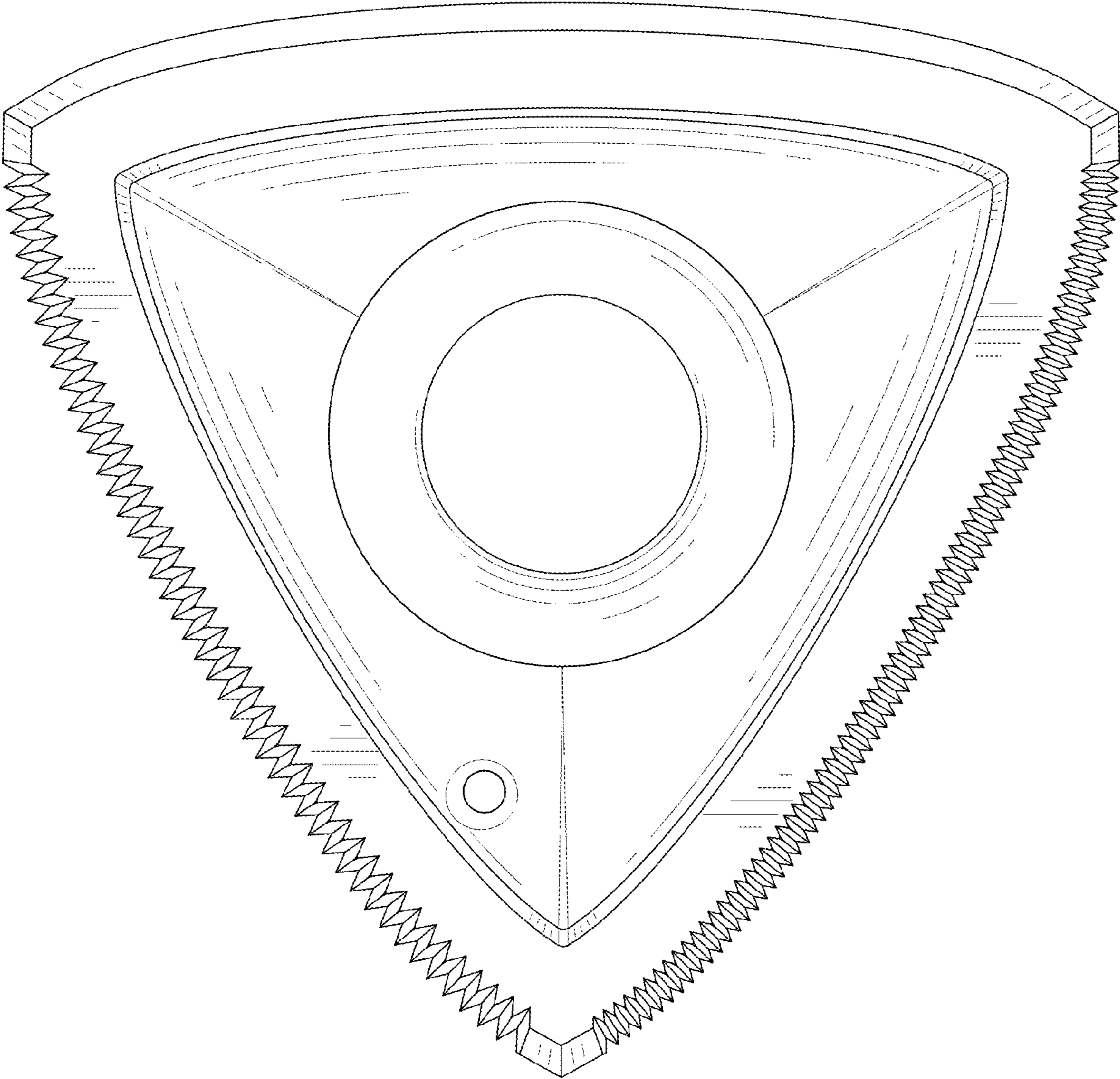


FIG. 2

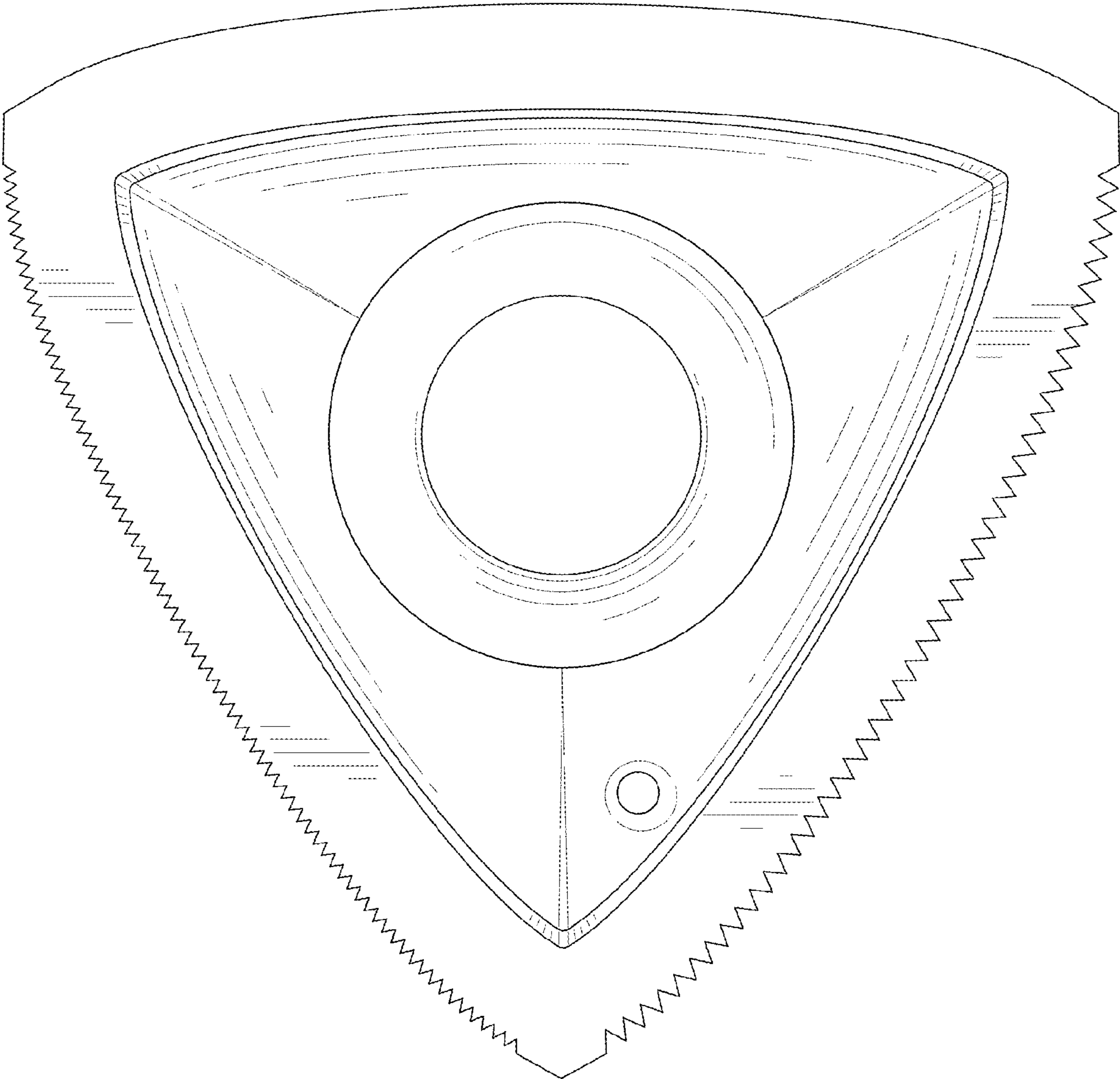


FIG. 3

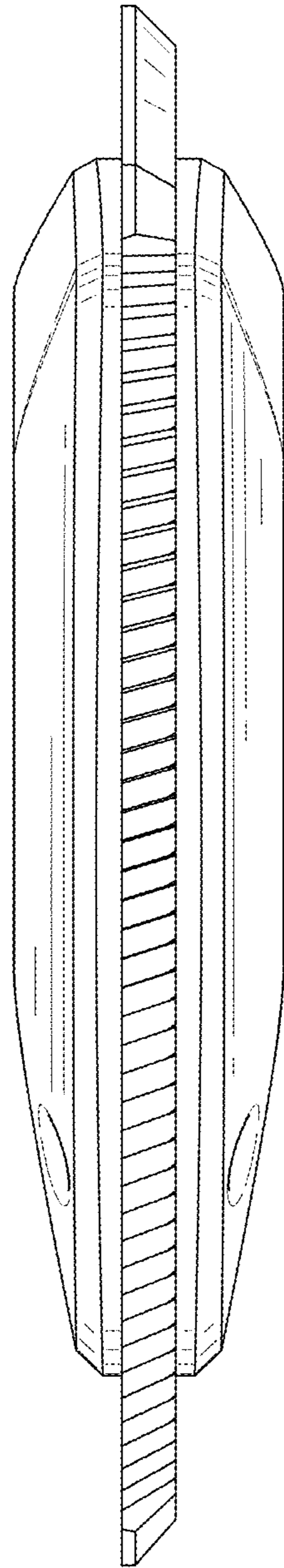


FIG. 4

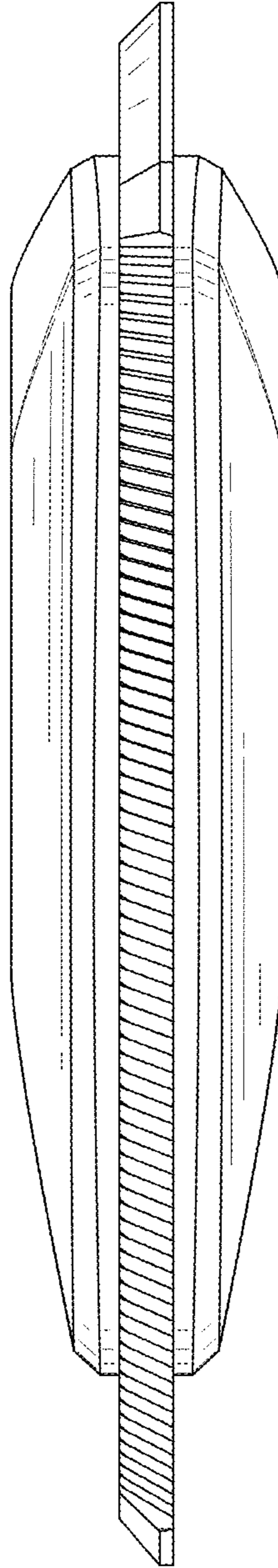


FIG. 5

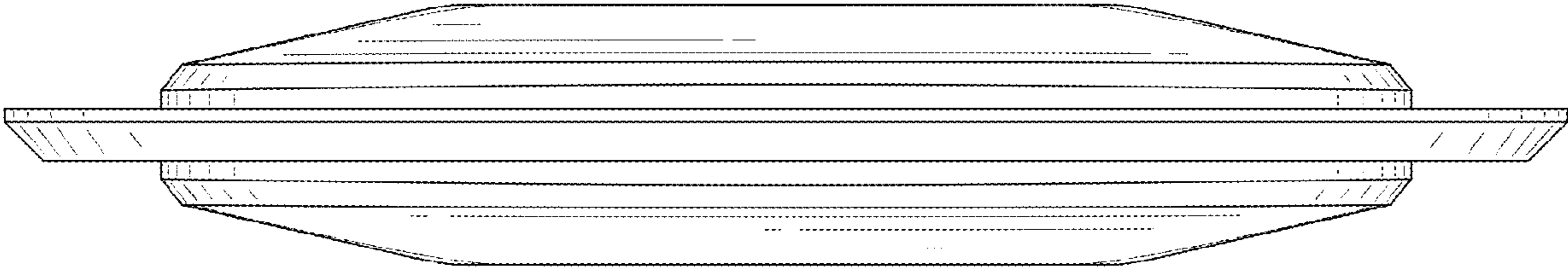


FIG. 6

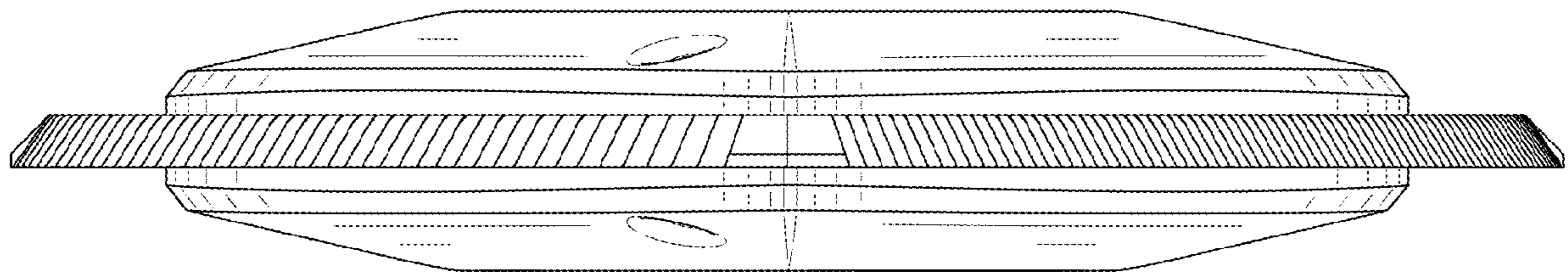


FIG. 7